



US00D585469S

(12) **United States Design Patent**  
**Mochizuki**

(10) **Patent No.:** **US D585,469 S**  
(45) **Date of Patent:** **\*\* Jan. 27, 2009**

(54) **CONTROLLER FOR SOLDERING IRONS**

D530,349 S \* 10/2006 Ishihara et al. .... D15/144.2

(75) Inventor: **Toshikazu Mochizuki**, Osaka (JP)

**FOREIGN PATENT DOCUMENTS**

(73) Assignee: **Hakko Corporation**, Osaka (JP)

JP 1244800 7/2005

(\*\*) Term: **14 Years**

\* cited by examiner

(21) Appl. No.: **29/295,881**

*Primary Examiner*—Sandra Snapp  
*Assistant Examiner*—Patricia Palasik  
(74) *Attorney, Agent, or Firm*—Squire, Sanders & Dempsey,  
L.L.P.

(22) Filed: **Oct. 9, 2007**

(57) **CLAIM**

(30) **Foreign Application Priority Data**

Apr. 12, 2007 (JP) ..... D2007-009790

The ornamental design for a controller for soldering irons, as shown and described.

(51) **LOC (9) Cl.** ..... **15-09**

**DESCRIPTION**

(52) **U.S. Cl.** ..... **D15/144**

(58) **Field of Classification Search** ..... D15/144,  
D15/144.1, 144.2; 219/125.1, 130.5, 132,  
219/227, 240, 242; 228/20.5, 40, 46, 51  
See application file for complete search history.

FIG. 1 is a perspective view of a controller for soldering irons;  
FIG. 2 is a front view thereof;  
FIG. 3 is a rear view thereof;  
FIG. 4 is a left side view thereof;  
FIG. 5 is a right side view thereof;  
FIG. 6 is a top view thereof; and,  
FIG. 7 is a bottom view thereof.

(56) **References Cited**

**U.S. PATENT DOCUMENTS**

D270,838 S \* 10/1983 Koturov ..... D15/144  
D416,030 S \* 11/1999 Weller et al. .... D15/144.1  
D454,578 S \* 3/2002 Armbruster et al. .... D15/144  
D489,741 S \* 5/2004 Calco et al. .... D15/144  
D508,930 S \* 8/2005 Crisler et al. .... D15/144  
D527,402 S \* 8/2006 Loch et al. .... D15/144.2

The broken line showing of the controller for soldering irons is included for the purpose of illustrating portions of the controller for soldering irons and forms no part of the claimed design.

**1 Claim, 4 Drawing Sheets**

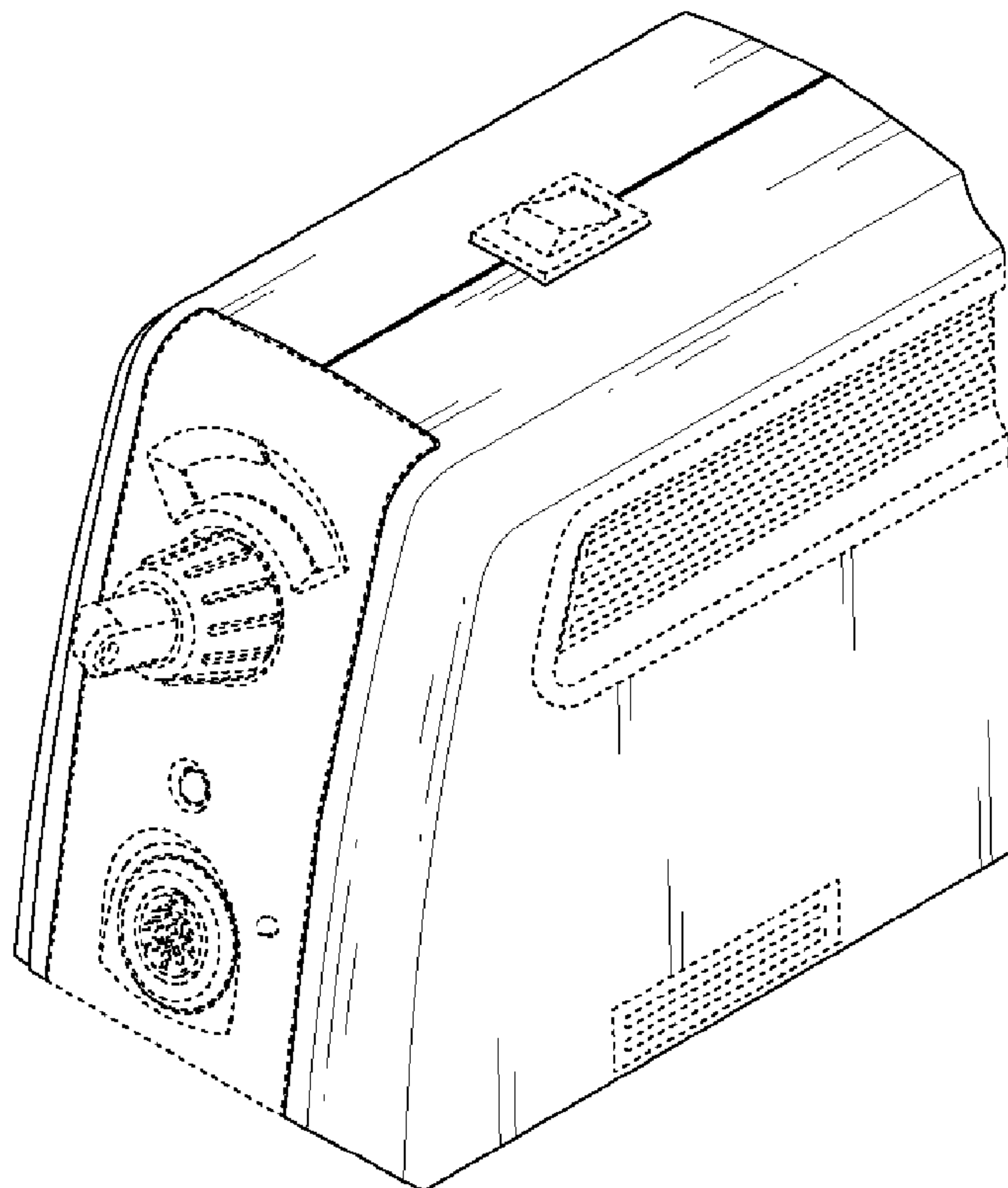


Fig. 1

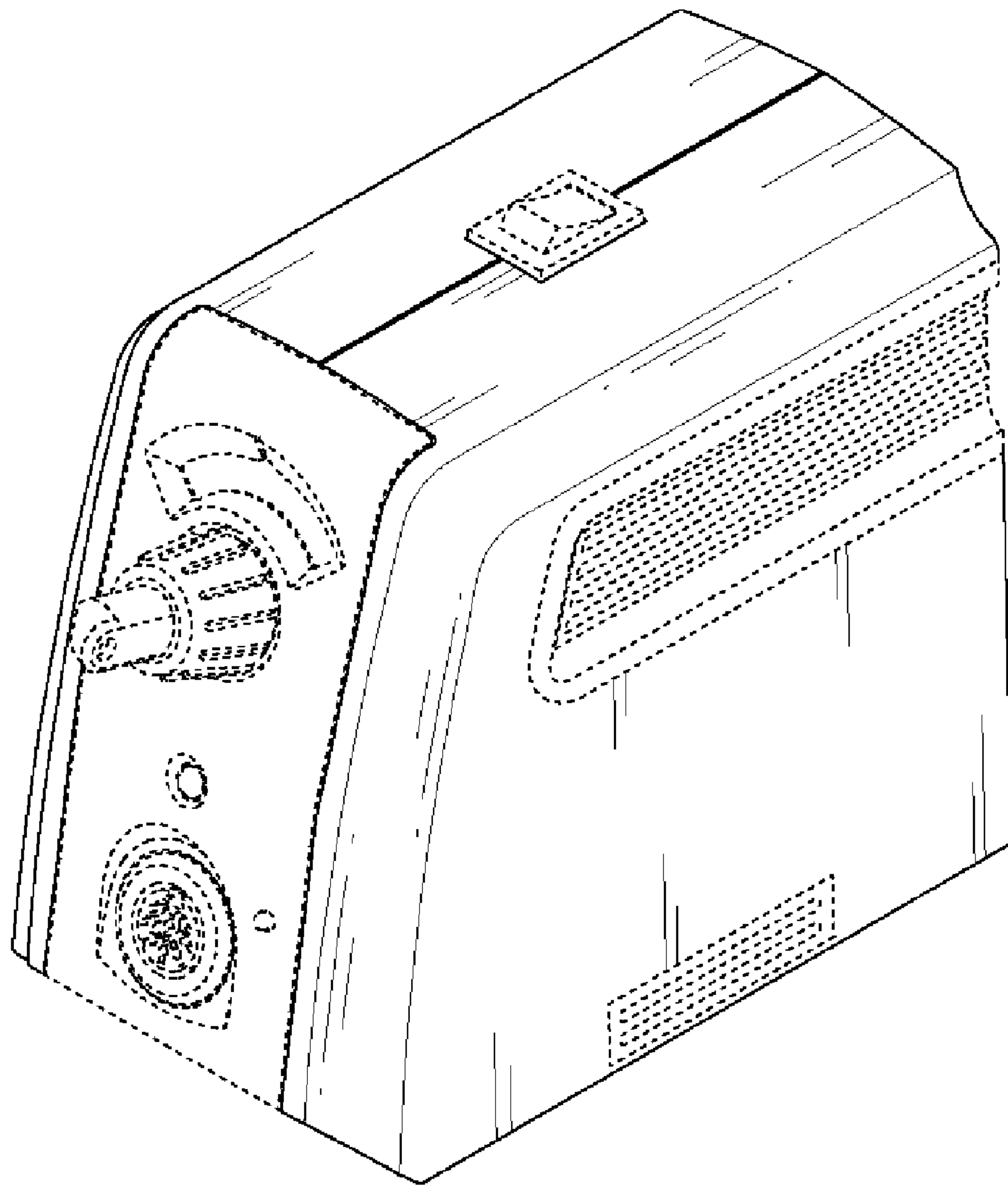


Fig.2

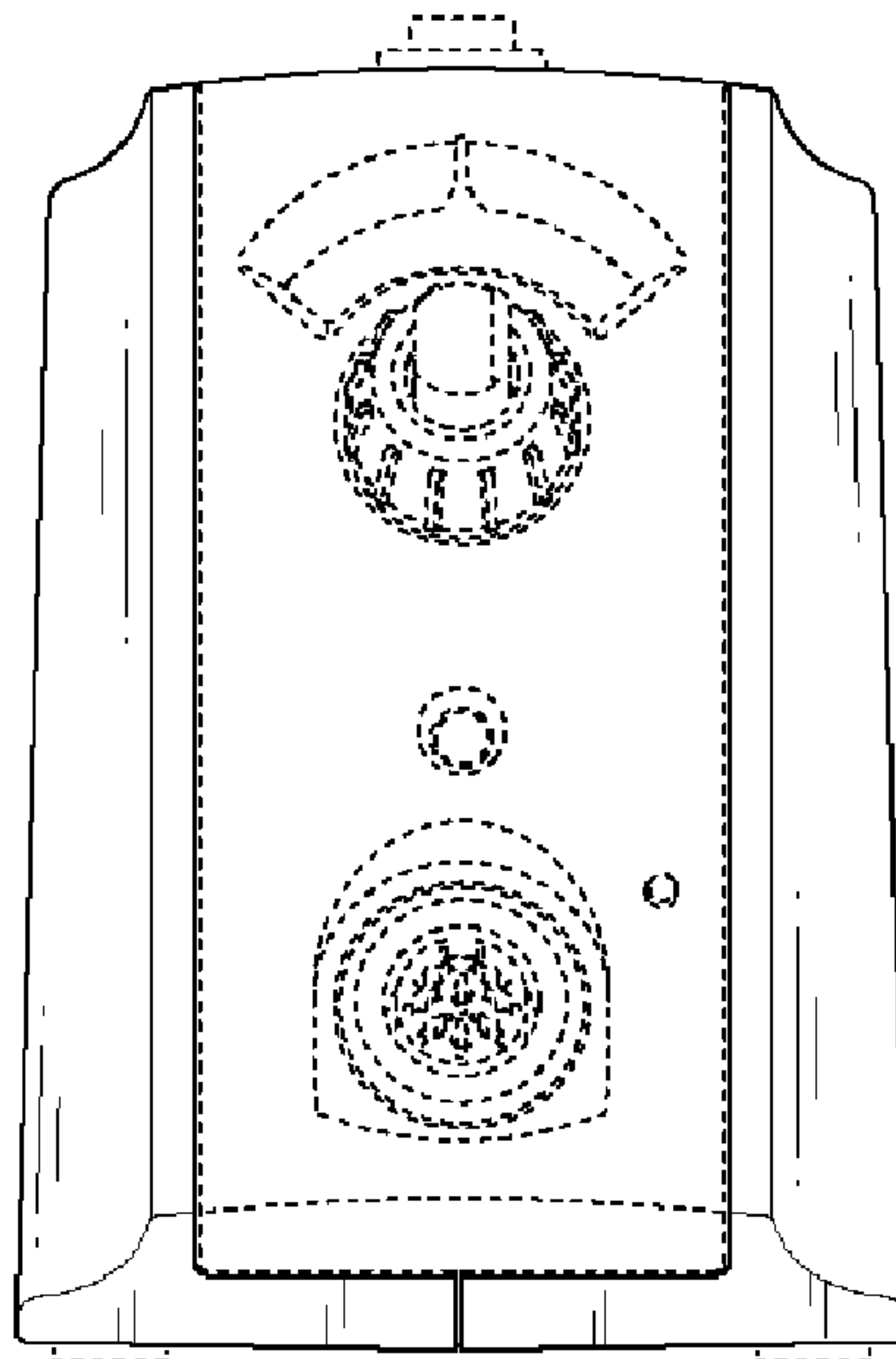


Fig.3

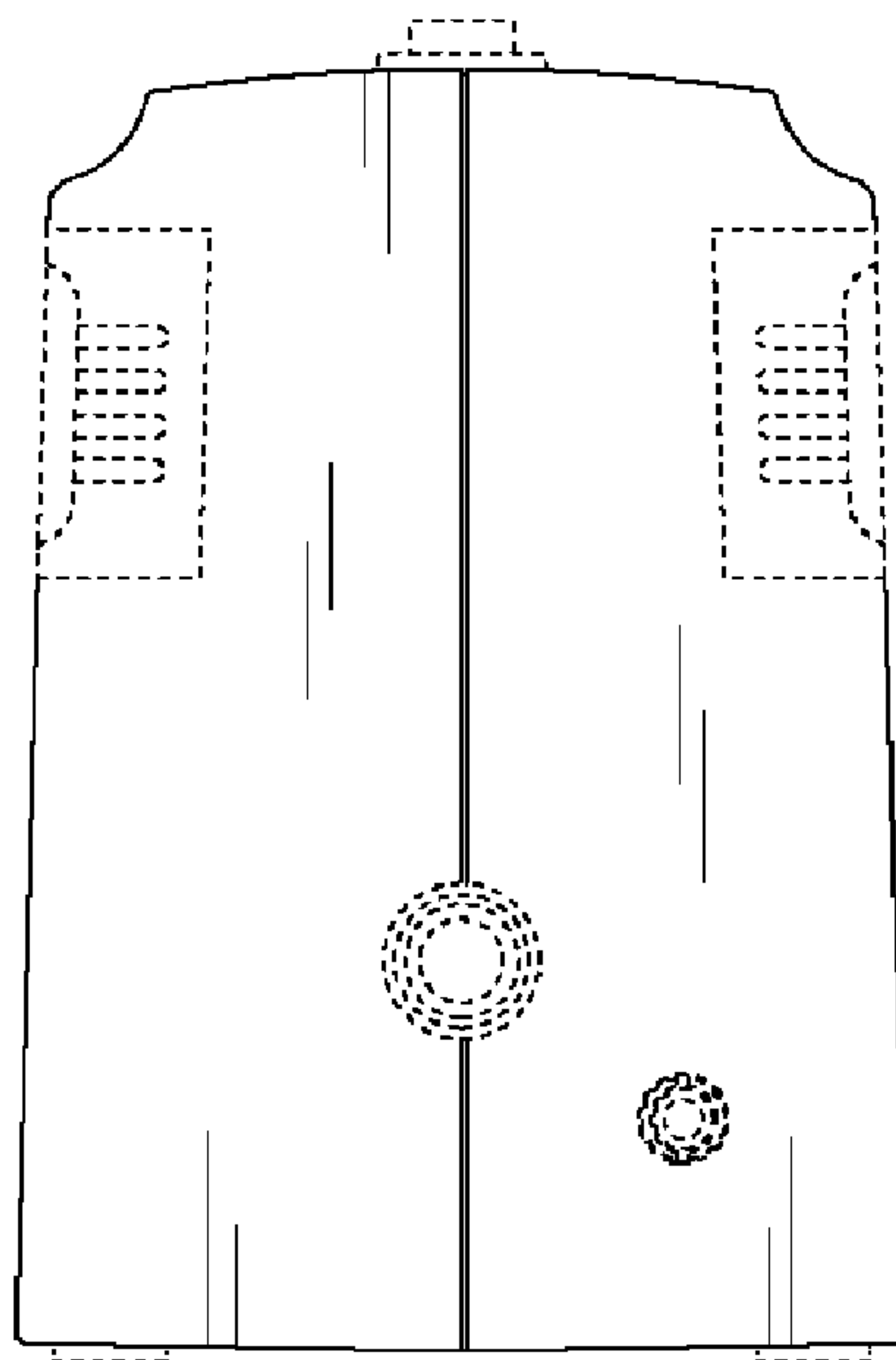


Fig.4

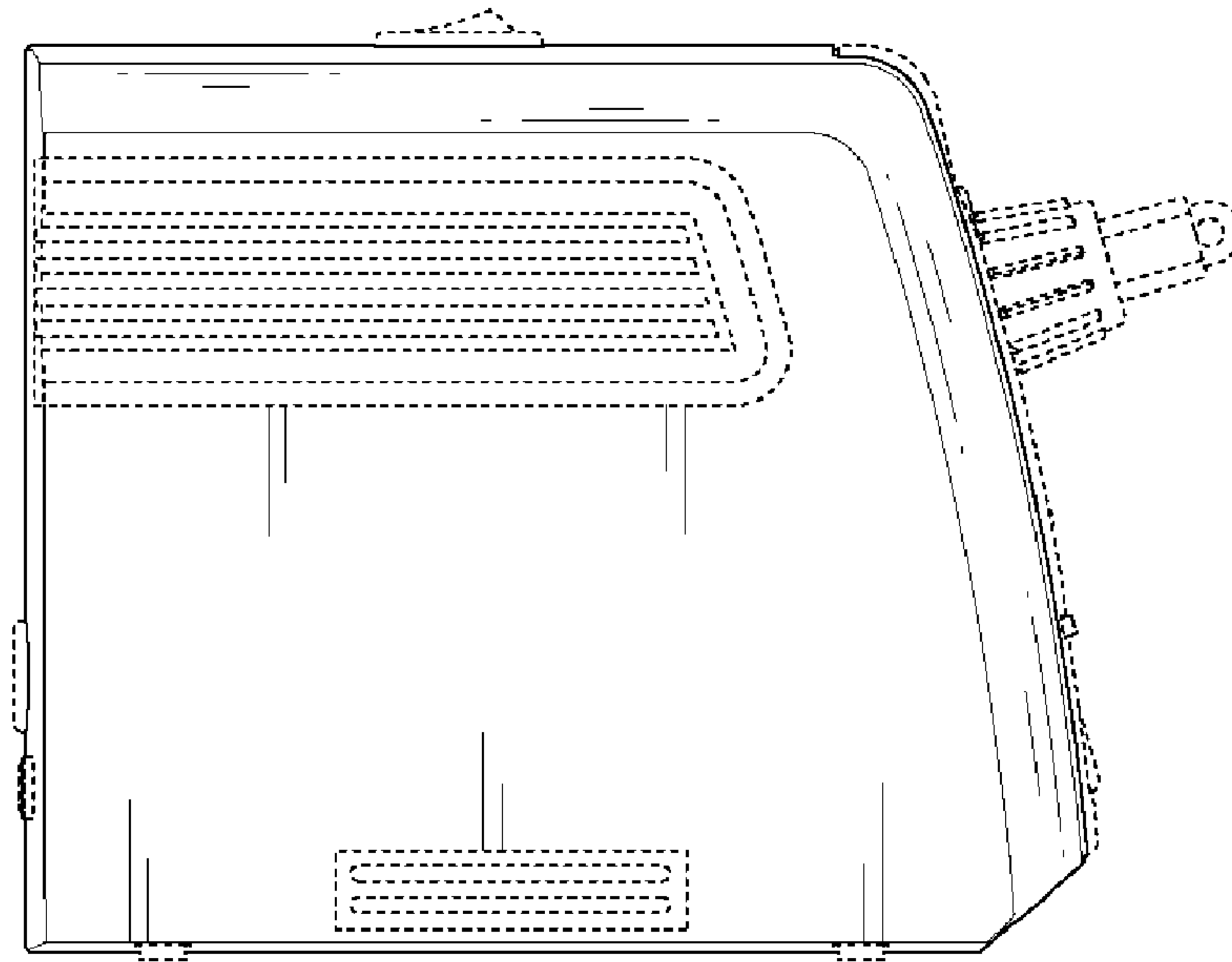


Fig.5

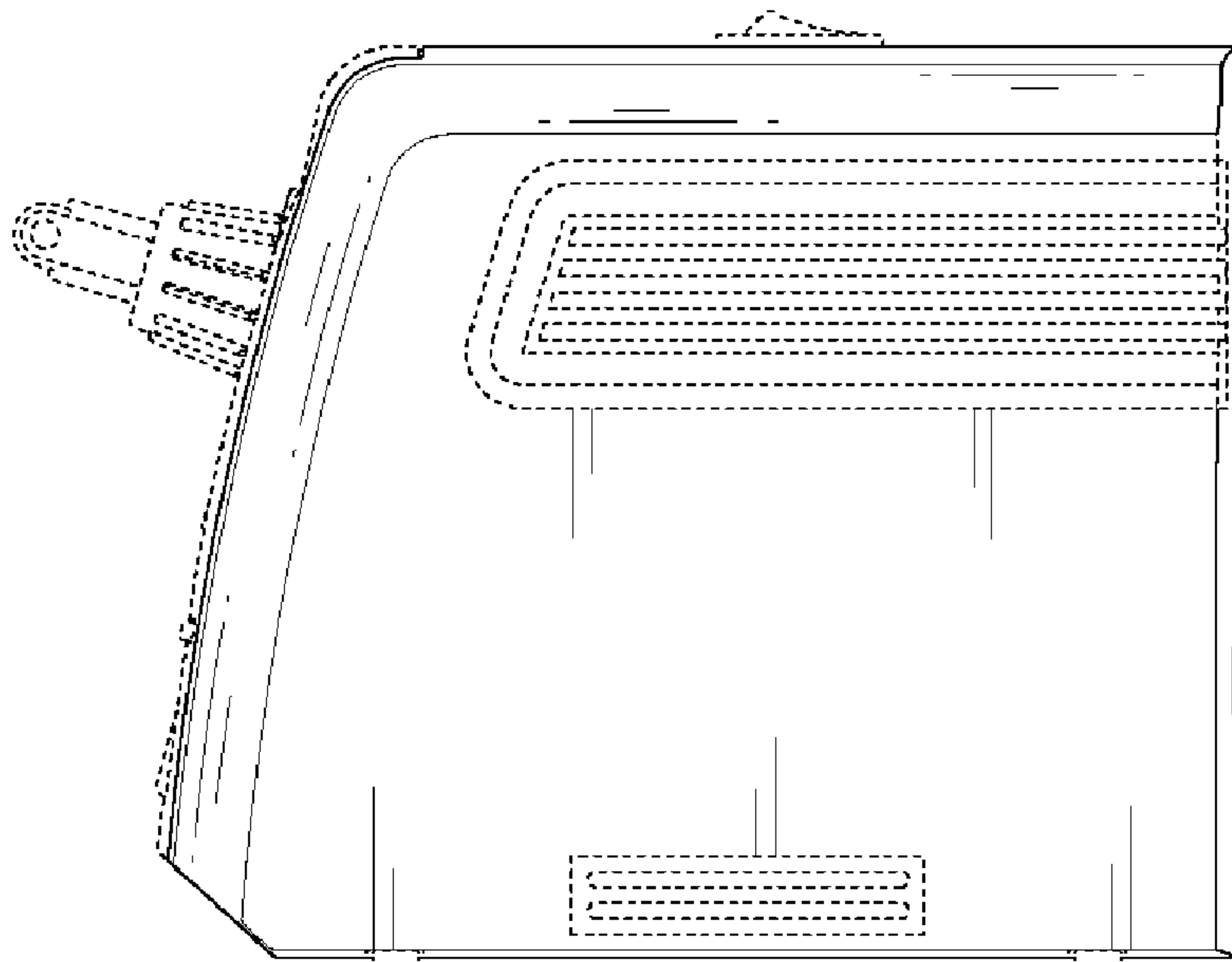


Fig.6

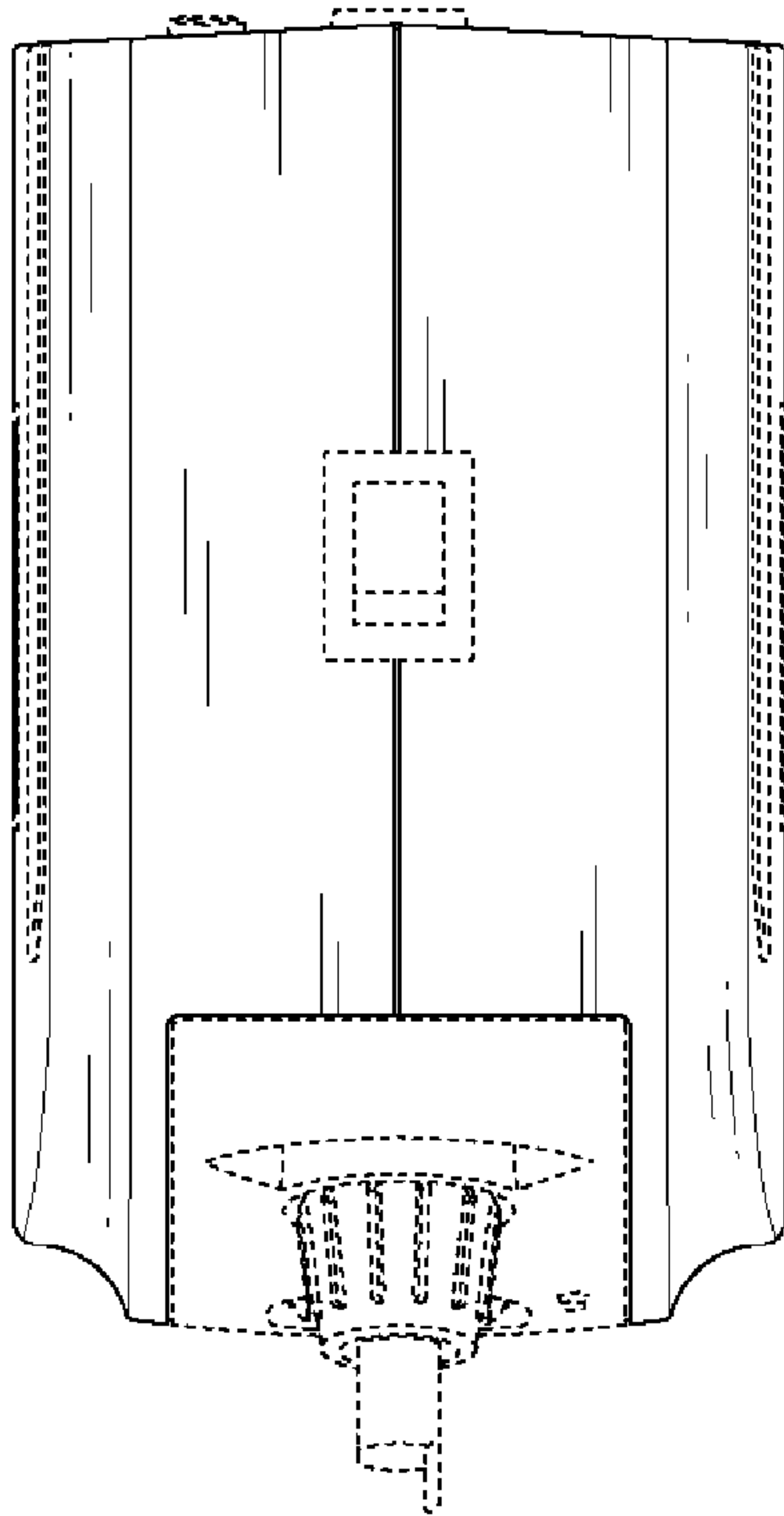


Fig.7

