



US00D585468S

(12) **United States Design Patent**
Burns

(10) **Patent No.:** **US D585,468 S**
(45) **Date of Patent:** **** Jan. 27, 2009**

(54) **TRAY AND HANDLE ASSEMBLY FOR
ROTARY ACTUATION LATCH**

4,556,244 A 12/1985 Bisbing

(Continued)

(75) Inventor: **Sean T. Burns**, Lexington, SC (US)

Primary Examiner—Sandra Snapp

(73) Assignee: **Hansen International, Inc.**, Lexington,
SC (US)

Assistant Examiner—Patricia Palasik

(74) *Attorney, Agent, or Firm*—Dority & Manning, P.A.

(**) Term: **14 Years**

(57) **CLAIM**

(21) Appl. No.: **29/303,835**

The ornamental design for a tray and handle assembly for rotary actuation latch, as shown and described.

(22) Filed: **Feb. 19, 2008**

DESCRIPTION

Related U.S. Application Data

(63) Continuation-in-part of application No. 11/682,463,
filed on Mar. 6, 2007.

(51) **LOC (9) Cl.** **15-09**

(52) **U.S. Cl.** **D15/142**

(58) **Field of Classification Search** D8/301,
D8/319, 331, 343; D15/142; 70/92, 462;
292/21, 92, 166, 167, 170, 221, 336.3

See application file for complete search history.

(56) **References Cited**

U.S. PATENT DOCUMENTS

337,889 A	3/1886	Taylor	
2,534,693 A	12/1950	Adams	
2,715,243 A	8/1955	Koll	
3,668,907 A	6/1972	Pastva, Jr.	
3,707,862 A	1/1973	Pastva, Jr.	
3,869,159 A *	3/1975	Eads	292/92
3,871,198 A	3/1975	Miller	
4,138,869 A	2/1979	Pelcin	
4,309,884 A	1/1982	Davis	
4,312,202 A	1/1982	Pastva, Jr. et al.	
4,312,203 A	1/1982	Davis	
4,312,204 A	1/1982	Davis	
4,312,205 A	1/1982	Reed et al.	
4,320,642 A	3/1982	Pastva, Jr.	
4,321,812 A	3/1982	Pelcin	
4,335,595 A	6/1982	Swan et al.	

FIG. 1. is a front perspective view of a tray and handle assembly for rotary actuation latch according to an embodiment of the invention with the handle raised to an actuating position;

FIG. 2 is a front view of the tray and handle assembly for rotary actuation latch of FIG. 1;

FIG. 3 is a right side view of the tray and handle assembly for rotary actuation latch of FIG. 1;

FIG. 4 is a left side view of the tray and handle assembly for rotary actuation latch of FIG. 1;

FIG. 5 is a top view of the tray and handle assembly for rotary actuation latch of FIG. 1;

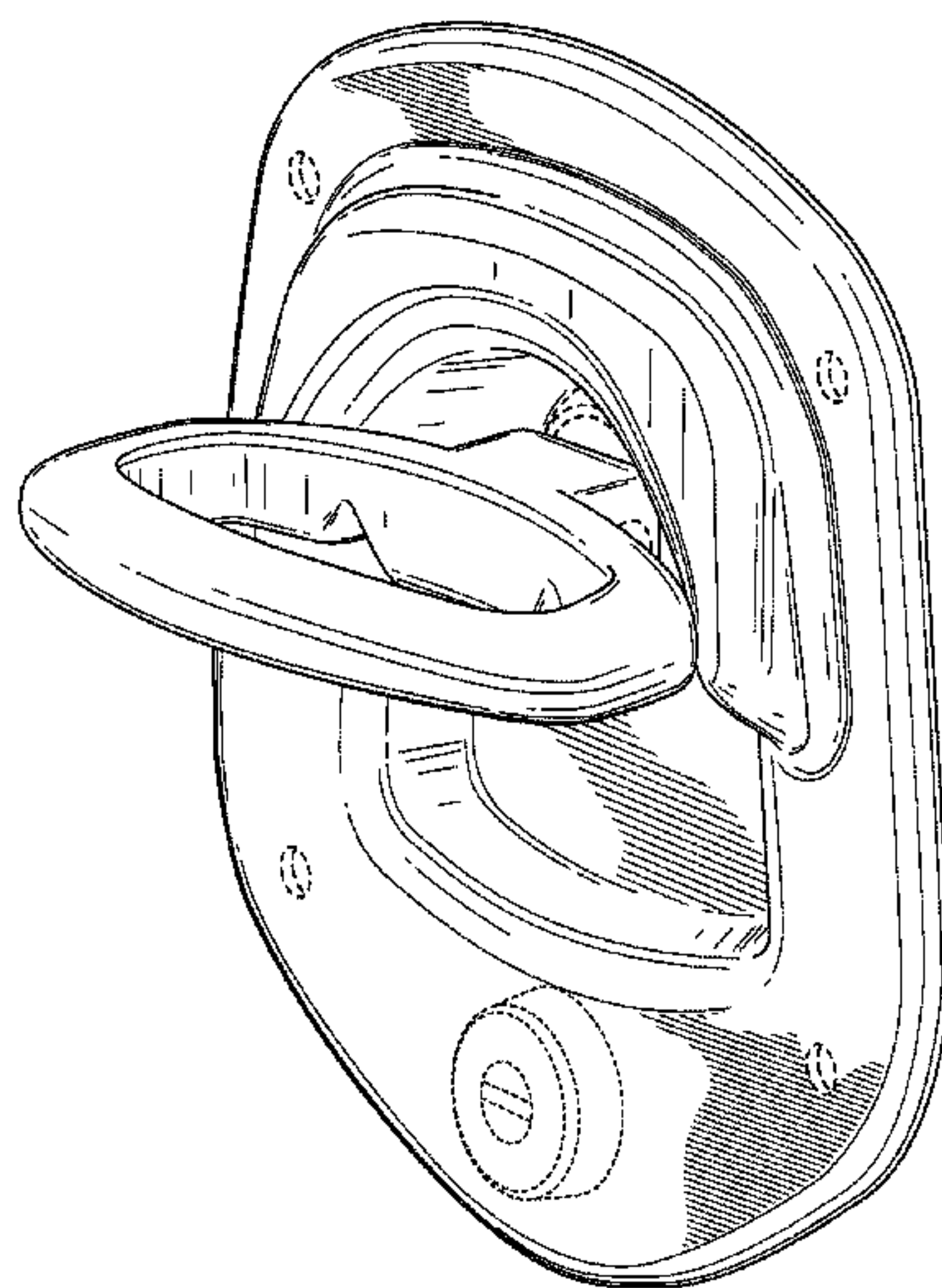
FIG. 6 is a bottom view of the tray and handle assembly for rotary actuation latch of FIG. 1; and,

FIG. 7 is a front perspective view of a tray and handle assembly for rotary actuation latch of FIG. 1, showing the handle lowered to a stowed position.

Portions of the tray handle assembly for rotary actuation latch shown in broken lines in the figures are for illustrative purposes only and form no part of the claimed design.

The claimed design comprises the features visible of the tray and handle assembly for rotary actuation latch when mounted in a surface (not shown). The mounting holes, key locking cylinder and rear of the assembly, all shown in dotted lines, form no part of the claimed design.

1 Claim, 6 Drawing Sheets



US D585,468 S

U.S. PATENT DOCUMENTS

4,671,547 A	6/1987	Weinerman et al.	D323,970 S	2/1992	Schlack
4,706,478 A	11/1987	Swan et al.	5,299,844 A	4/1994	Gleason
4,707,006 A *	11/1987	Garg et al. 292/336.3	5,409,272 A	4/1995	McCormack
4,763,935 A	8/1988	Bisbing	5,493,881 A	2/1996	Harvey
4,838,054 A	6/1989	Weinerman et al.	5,526,660 A	6/1996	Bennett et al.
4,838,056 A	6/1989	Weinerman et al.	5,586,458 A	12/1996	Weinerman et al.
4,841,755 A	6/1989	Weinerman et al.	5,595,076 A	1/1997	Weinerman et al.
4,850,209 A	7/1989	Weinerman et al.	5,611,224 A	3/1997	Weinerman et al.
4,989,907 A *	2/1991	Edmonds et al. 292/223	D389,393 S	1/1998	Hansen
5,012,553 A	5/1991	Hardigg et al.	5,887,927 A	3/1999	Kurek, III et al.
5,046,340 A	9/1991	Weinerman et al.	5,941,104 A *	8/1999	Sadler 70/208
D323,970 S	2/1992	Schlack	6,041,627 A	3/2000	Buckland
5,299,844 A	4/1994	Gleason	6,170,928 B1	1/2001	Eardley et al.
5,409,272 A	4/1995	McCormack	D442,844 S *	5/2001	Mirick D8/301
5,493,881 A	2/1996	Harvey	RE37,518 E	1/2002	Hardigg et al.
5,526,660 A	6/1996	Bennett et al.	6,418,761 B1	7/2002	Wytcherley et al.
5,586,458 A	12/1996	Weinerman et al.	6,454,321 B1	9/2002	Parikh
5,595,076 A	1/1997	Weinerman et al.	D464,906 S	10/2002	Dudenhoeffer
5,611,224 A	3/1997	Weinerman et al.	D466,789 S	12/2002	Jeffries
D389,393 S	1/1998	Hansen	D469,678 S	2/2003	Teskey
5,887,927 A	3/1999	Kurek, III et al.	6,513,353 B1	2/2003	Weinerman et al.
5,941,104 A *	8/1999	Sadler 70/208	6,527,307 B2	3/2003	Welsh et al.
6,041,627 A	3/2000	Buckland	6,568,226 B1	5/2003	Ramsauer
6,170,928 B1	1/2001	Eardley et al.	6,575,503 B1	6/2003	Johansson et al.
D442,844 S *	5/2001	Mirick D8/301	6,643,891 B1	11/2003	Jerstroem et al.
RE37,518 E	1/2002	Hardigg et al.	6,651,467 B1	11/2003	Weinerman et al.
6,418,761 B1	7/2002	Wytcherley et al.	D484,024 S	12/2003	Teskey et al.
6,454,321 B1	9/2002	Parikh	6,666,053 B2	12/2003	Sadler
D464,906 S	10/2002	Dudenhoeffer	6,708,537 B1	3/2004	Eschweiler et al.
D466,789 S	12/2002	Jeffries	6,854,774 B2	2/2005	Magnusson
D469,678 S	2/2003	Teskey	6,953,209 B2	10/2005	Jackson, Jr. et al.
6,513,353 B1	2/2003	Weinerman et al.	7,021,679 B2	4/2006	Magnusson
4,335,595 A	6/1982	Swan et al.	D519,823 S *	5/2006	Pickar et al. D8/331
4,556,244 A	12/1985	Bisbing	D520,328 S *	5/2006	Hansen D8/301
4,671,547 A	6/1987	Weinerman et al.	7,062,818 B2	6/2006	Jeffries
4,706,478 A	11/1987	Swan et al.	7,124,475 B2	10/2006	Jeffries
4,707,006 A *	11/1987	Garg et al. 292/336.3	D532,673 S	11/2006	Weinerman et al.
4,763,935 A	8/1988	Bisbing	D532,675 S	11/2006	Weinerman et al.
4,838,054 A	6/1989	Weinerman et al.	D543,434 S	5/2007	Weinerman et al.
4,838,056 A	6/1989	Weinerman et al.	D548,560 S *	8/2007	Weinerman et al. D8/301
4,841,755 A	6/1989	Weinerman et al.	D565,930 S *	4/2008	Peng D8/331
4,850,209 A	7/1989	Weinerman et al.	2003/0111848 A1 *	6/2003	Hansen 292/336.3
4,989,907 A *	2/1991	Edmonds et al. 292/223	2004/0103701 A1	6/2004	Vickers
5,012,553 A	5/1991	Hardigg et al.	2006/0028027 A1	2/2006	Schlack et al.
5,046,340 A	9/1991	Weinerman et al.			

* cited by examiner

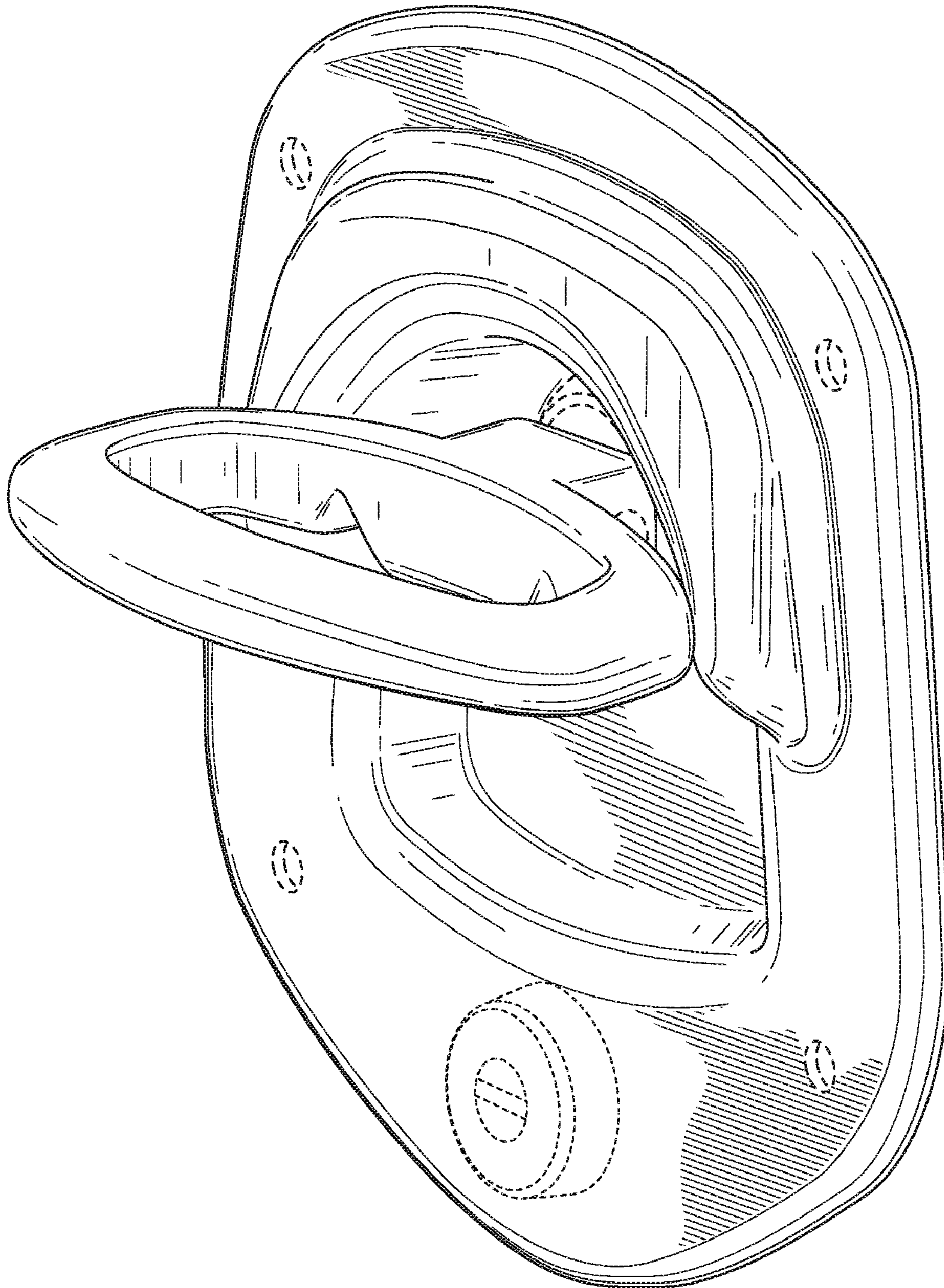


FIG. 1

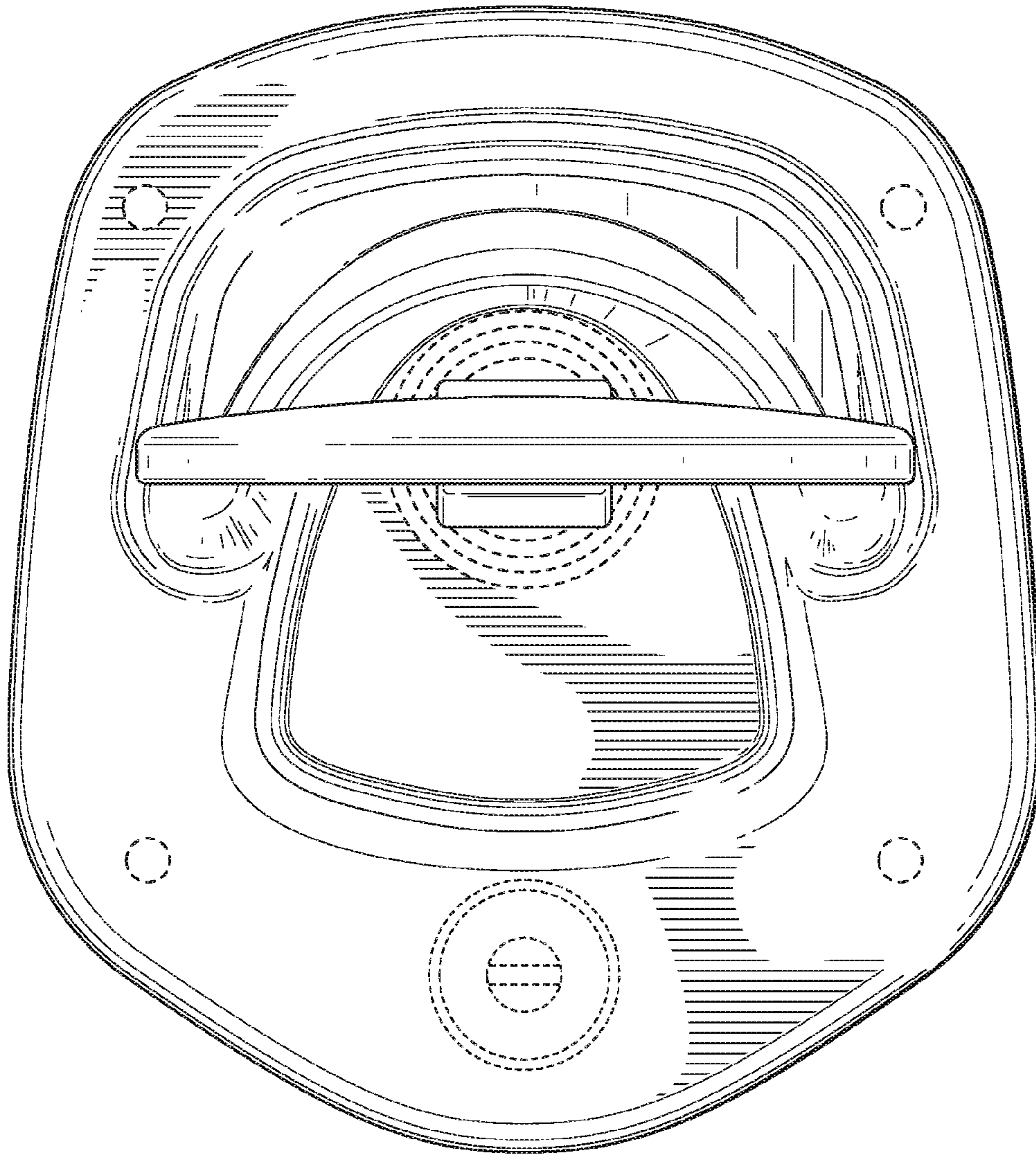


FIG. 2

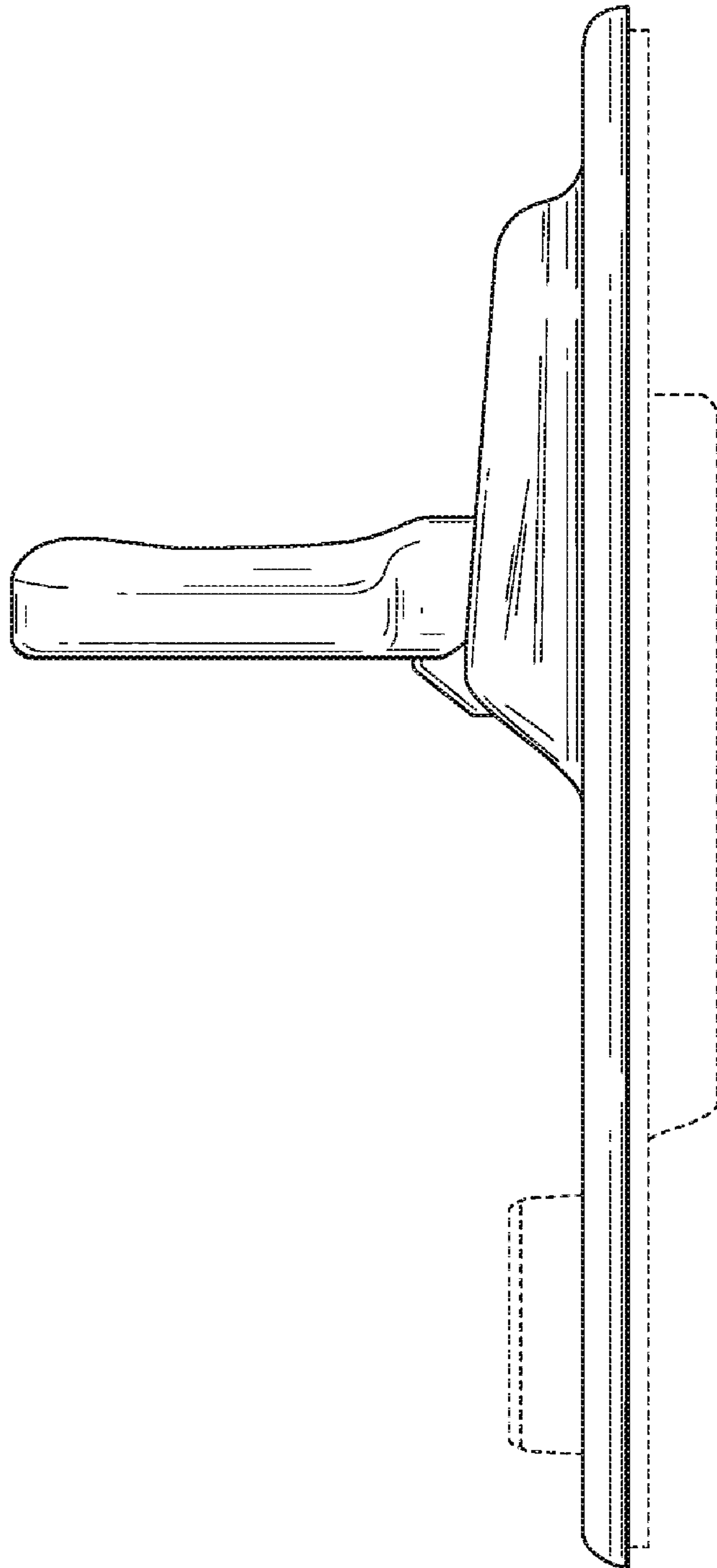


FIG. 3

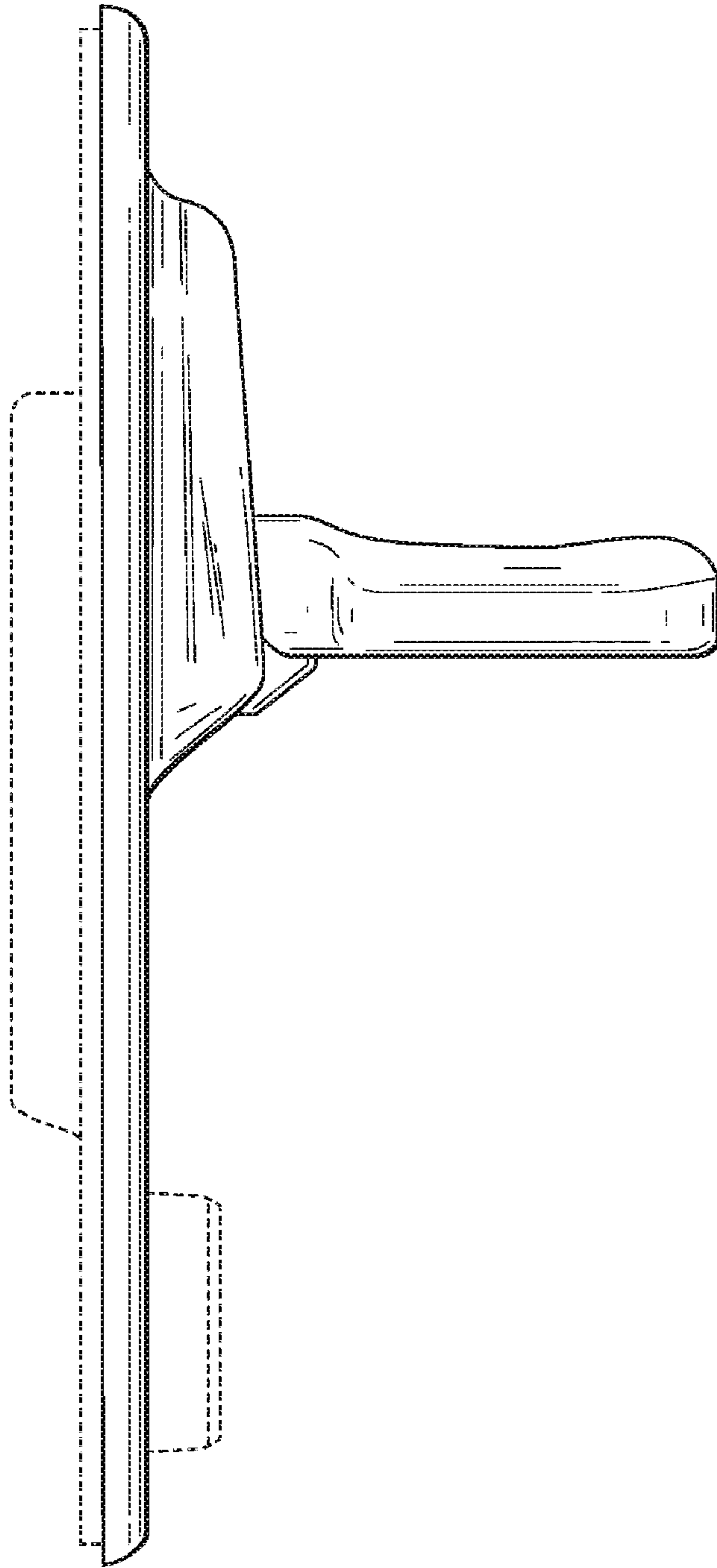


FIG. 4

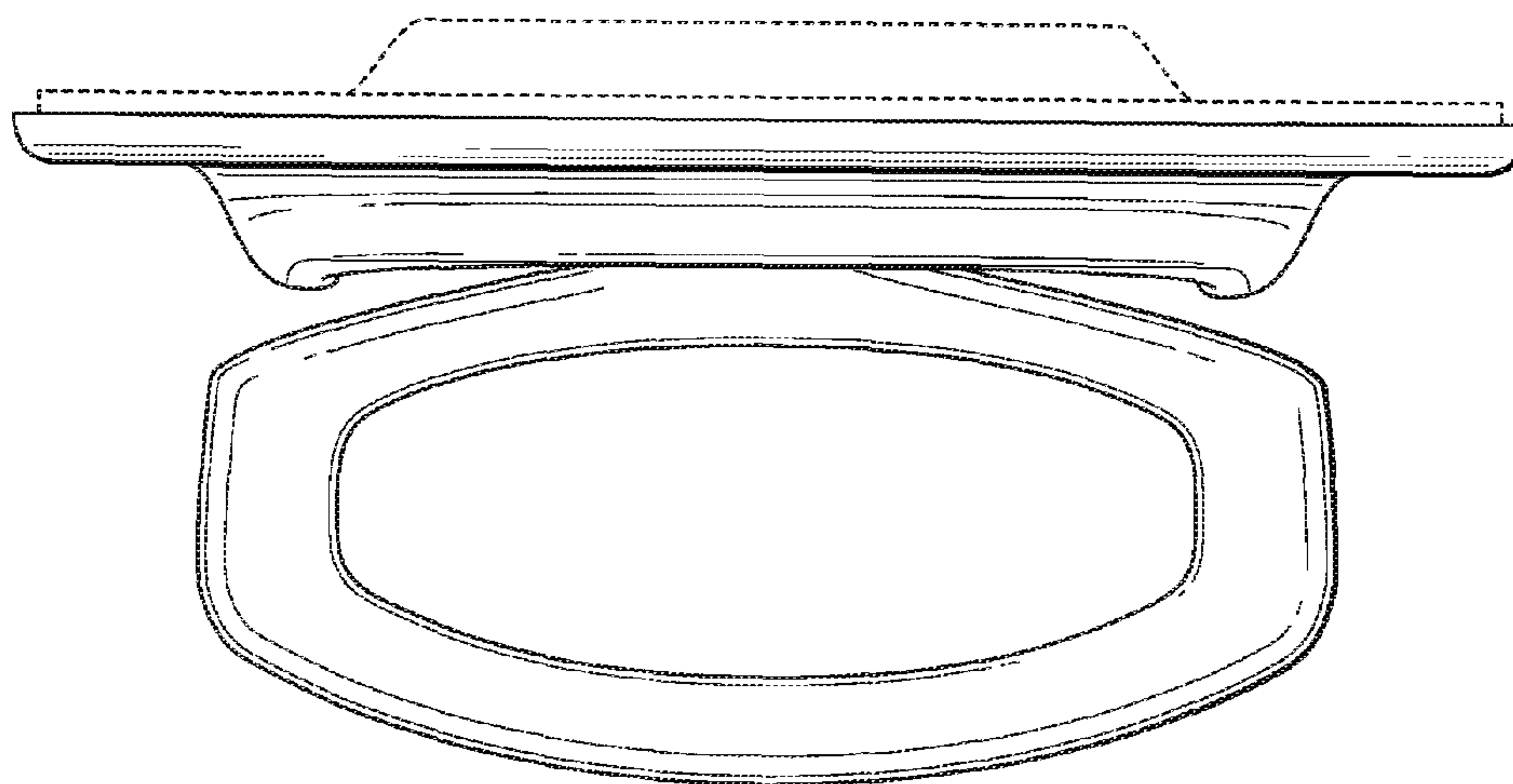


FIG. 5

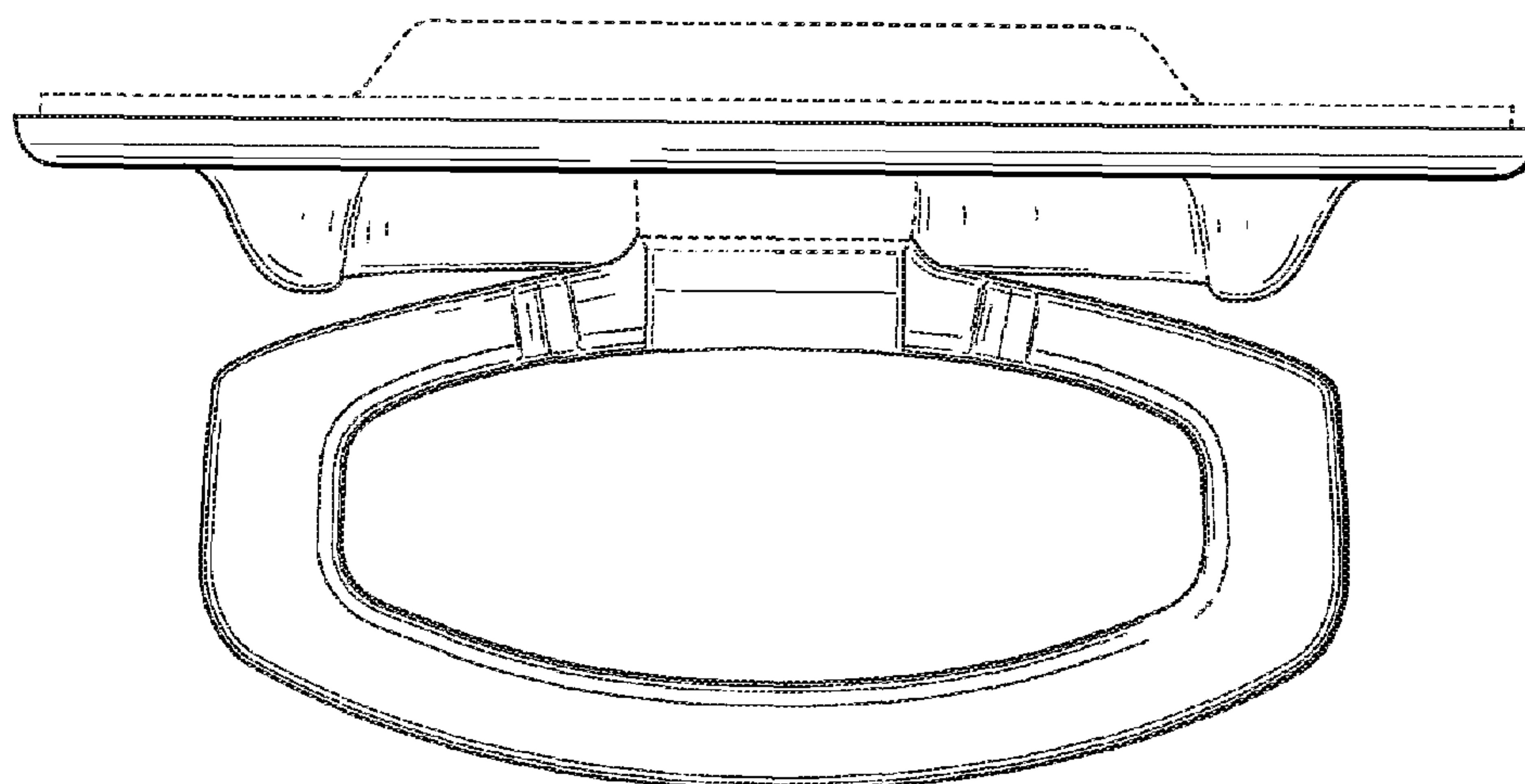


FIG. 6

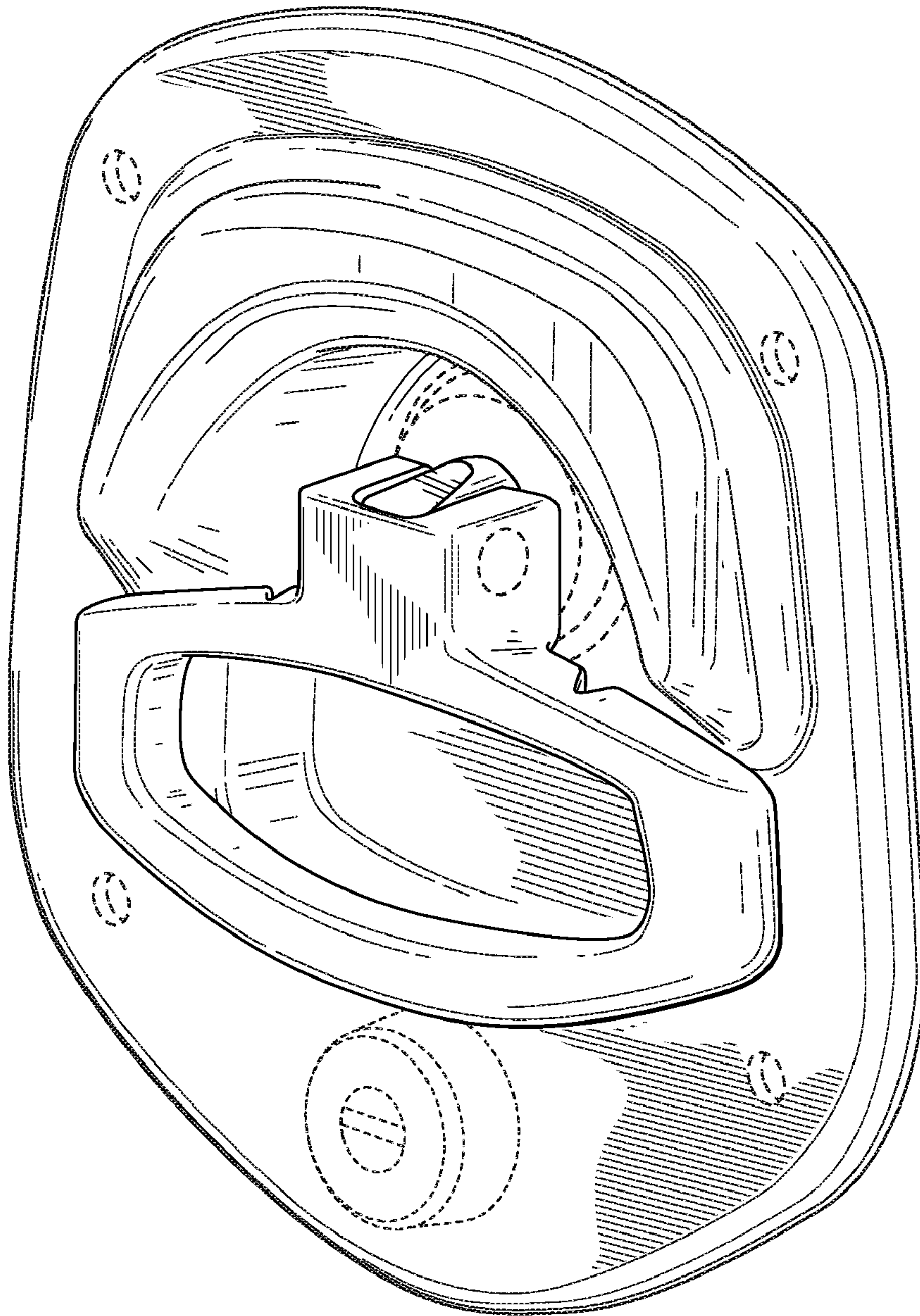


FIG. 7