



US00D585465S

(12) **United States Design Patent**  
**Rousselin**

(10) **Patent No.:** **US D585,465 S**  
(45) **Date of Patent:** **\*\* Jan. 27, 2009**

(54) **FREEZER**

(75) Inventor: **Frank Rousselin**, Voiron (FR)

(73) Assignee: **Societe des Produits Nestle S.A.**, Vevey (CH)

(\*\*) Term: **14 Years**

(21) Appl. No.: **29/305,195**

(22) Filed: **Mar. 14, 2008**

(30) **Foreign Application Priority Data**

Sep. 28, 2007 (CH) ..... 134294

(51) **LOC (9) Cl.** ..... **15-07**

(52) **U.S. Cl.** ..... **D15/83**

(58) **Field of Classification Search** ..... D15/79,  
D15/81, 83, 84, 85; D6/441, 448, 470, 472;  
62/246-255, 275, 337, 384, 389, 440-456;  
312/114-117, 401-408

See application file for complete search history.

(56) **References Cited**

**U.S. PATENT DOCUMENTS**

D439,913 S *	4/2001	Jobst	.....	D15/84
D449,845 S *	10/2001	Reese et al.	.....	D15/83
D483,045 S *	12/2003	Resch	.....	D15/83
D521,028 S *	5/2006	Duffy et al.	.....	D15/79
D524,330 S *	7/2006	Pedersen et al.	.....	D15/81
D541,827 S *	5/2007	Resch	.....	D15/83
D569,396 S *	5/2008	Bondorff et al.	.....	D15/84
D572,731 S *	7/2008	Bondorff et al.	.....	D15/84

\* cited by examiner

*Primary Examiner*—Stella M Reid

*Assistant Examiner*—Shanda C Hill

(74) *Attorney, Agent, or Firm*—Bell, Boyd & Lloyd LLP

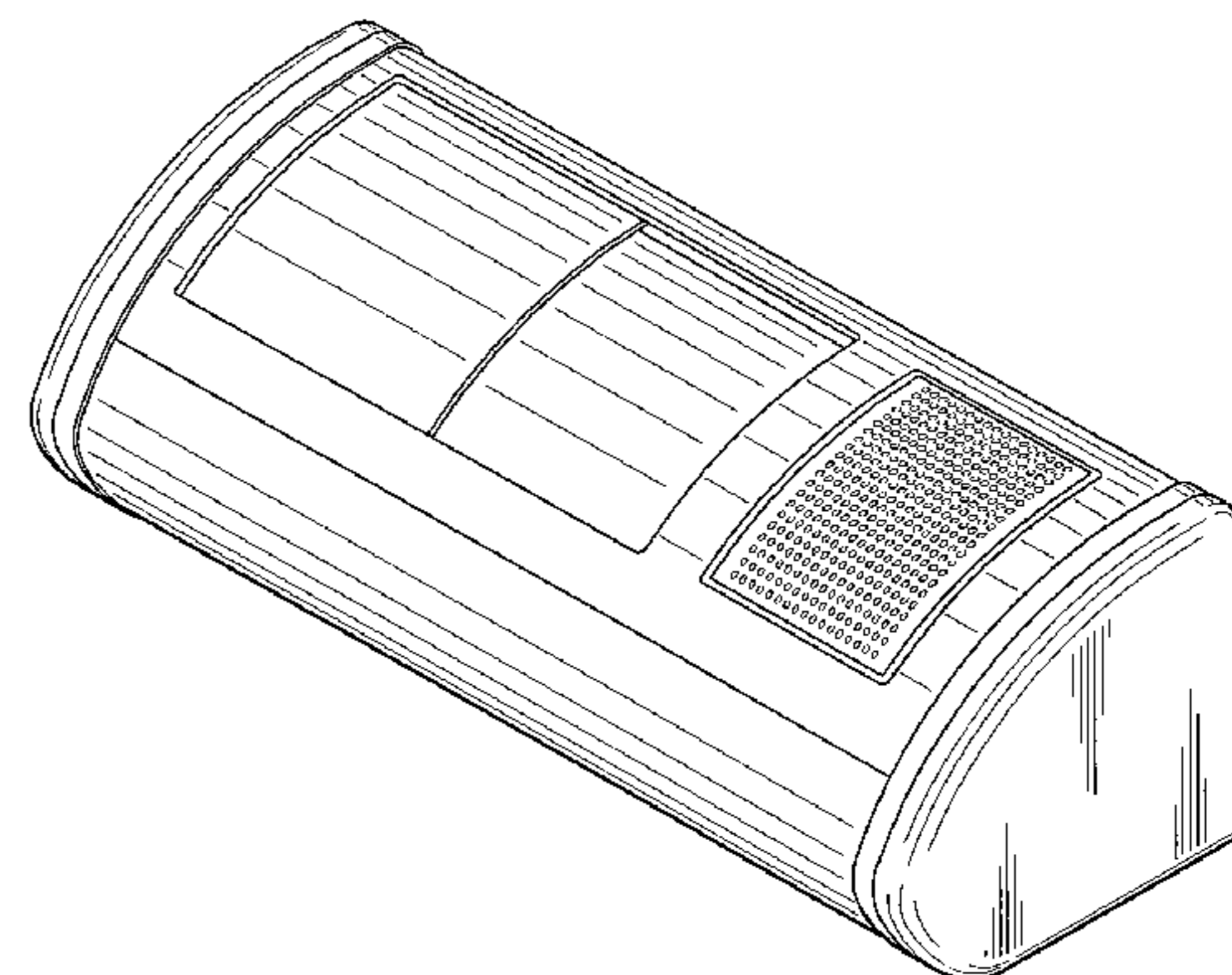
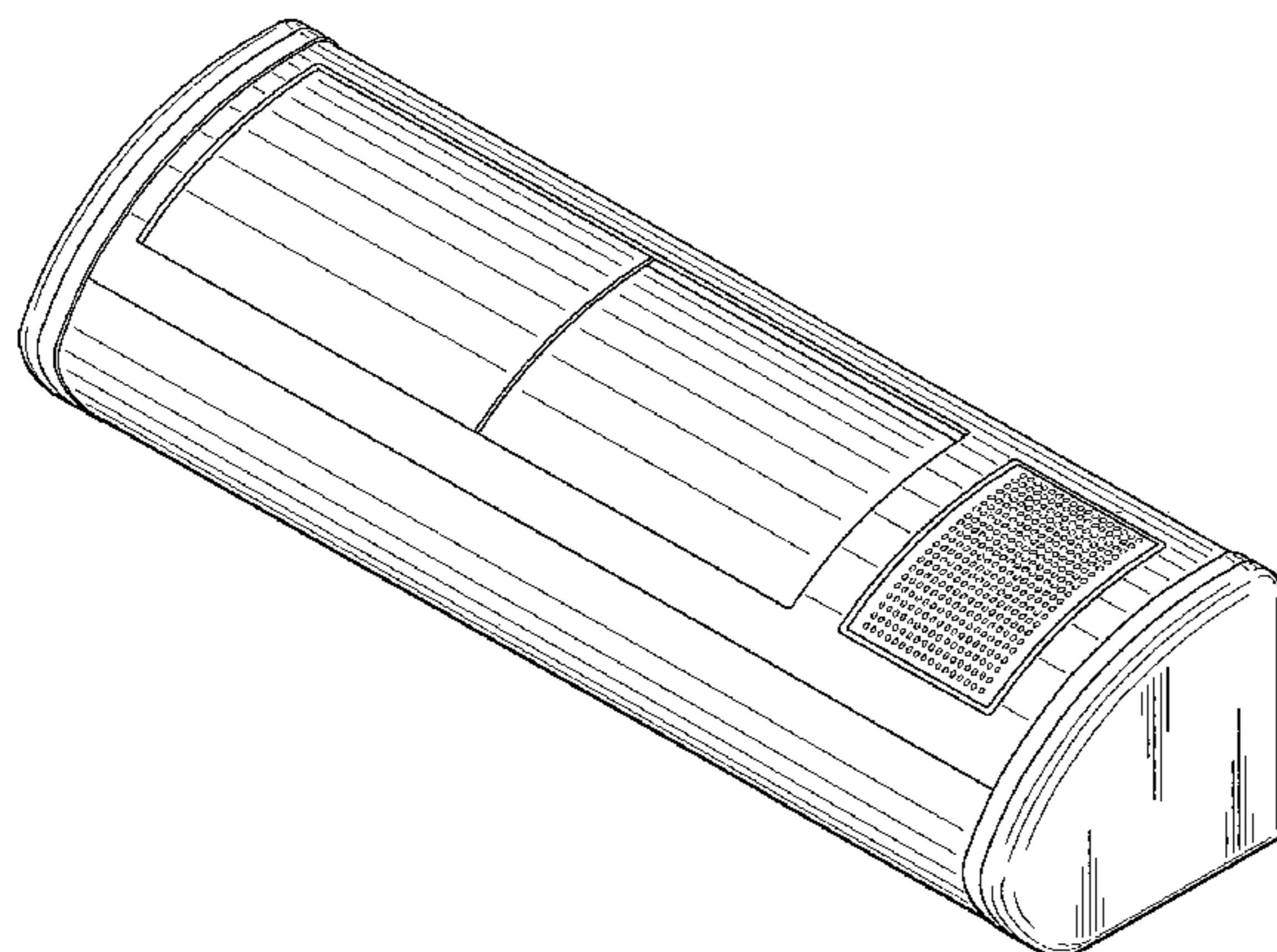
(57) **CLAIM**

The ornamental design for a freezer, as shown and described.

**DESCRIPTION**

FIG. 1 illustrates a front perspective view of the freezer;  
 FIG. 2 illustrates a front elevation view of the freezer of FIG. 1;  
 FIG. 3 illustrates a rear elevation view of the freezer of FIG. 1;  
 FIG. 4 illustrates a top view of the freezer of FIG. 1;  
 FIG. 5 illustrates a bottom view of the freezer of FIG. 1;  
 FIG. 6 illustrates a right side view of the freezer of FIG. 1;  
 FIG. 7 illustrates a left side view of the freezer of FIG. 1;  
 FIG. 8 illustrates a front perspective view of the freezer in an alternative embodiment;  
 FIG. 9 illustrates a front elevation view of the freezer of FIG. 8;  
 FIG. 10 illustrates a rear elevation view of the freezer of FIG. 8;  
 FIG. 11 illustrates a top view of the freezer of FIG. 8;  
 FIG. 12 illustrates a bottom view of the freezer of FIG. 8;  
 FIG. 13 illustrates a right side view of the freezer of FIG. 8; and,  
 FIG. 14 illustrates a left side view of the freezer of FIG. 8.

**1 Claim, 4 Drawing Sheets**



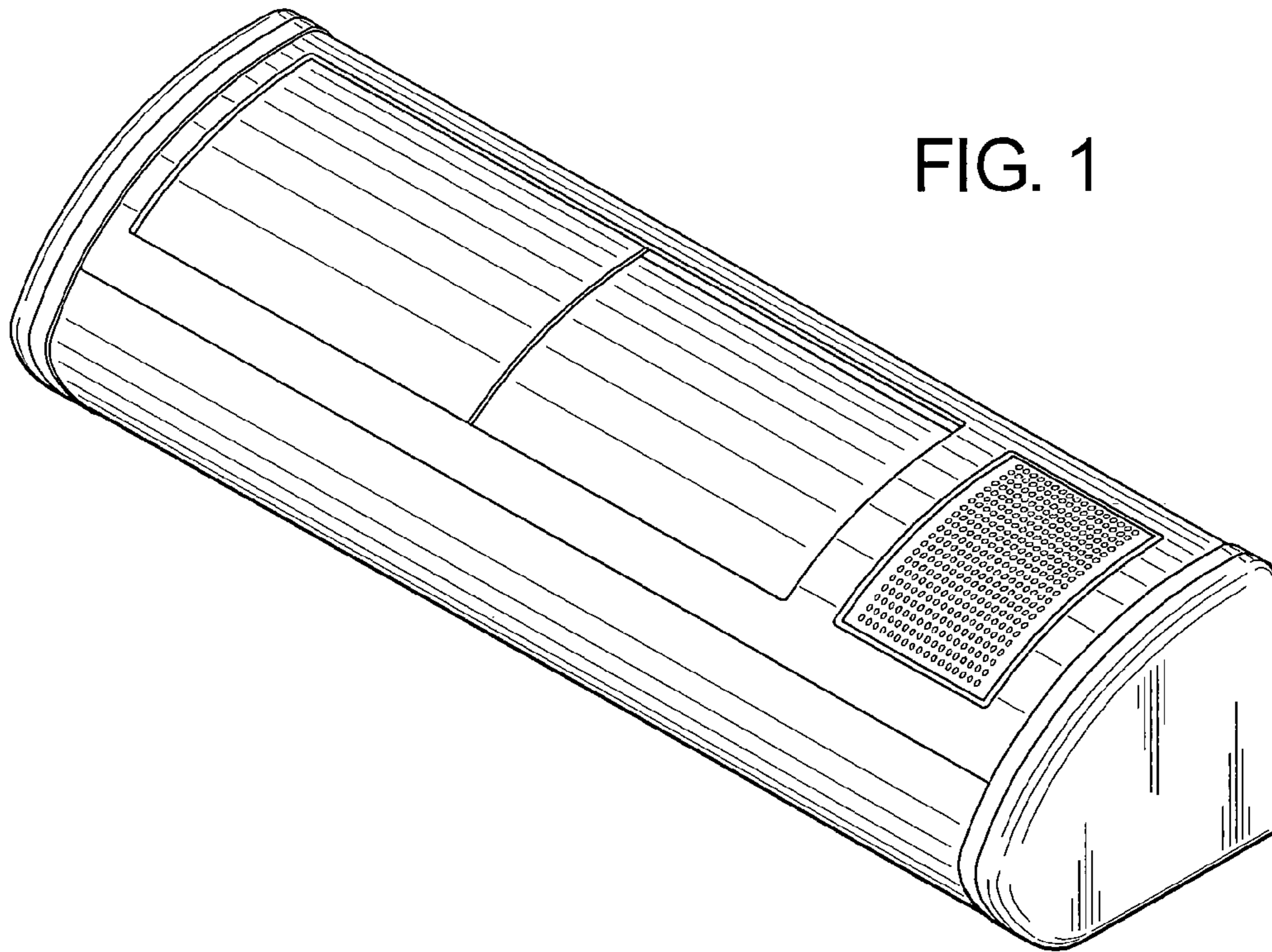


FIG. 1

FIG. 2

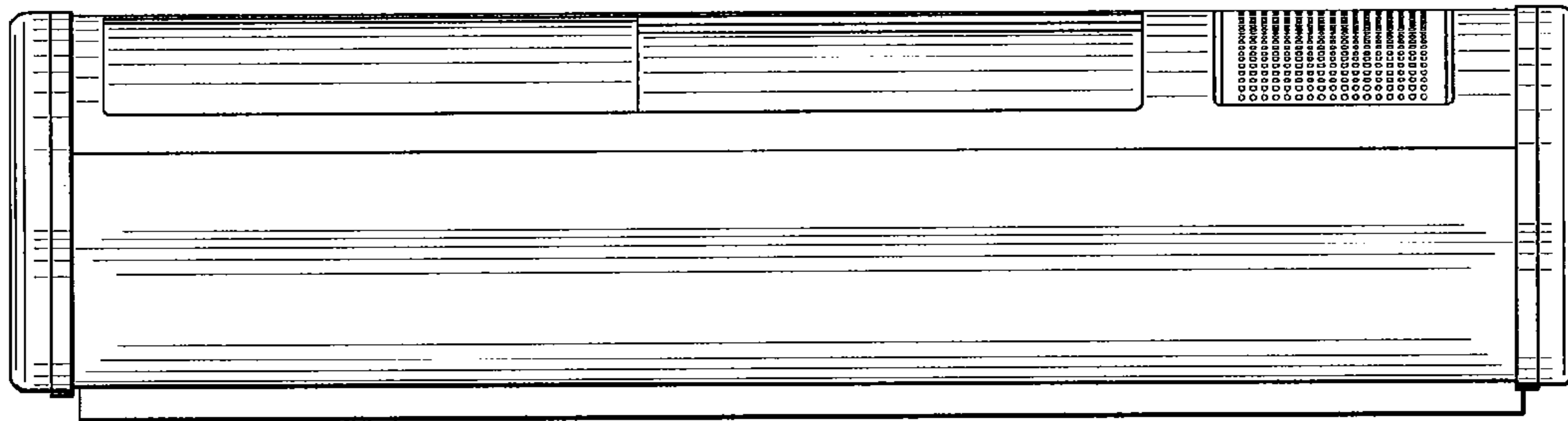


FIG. 3

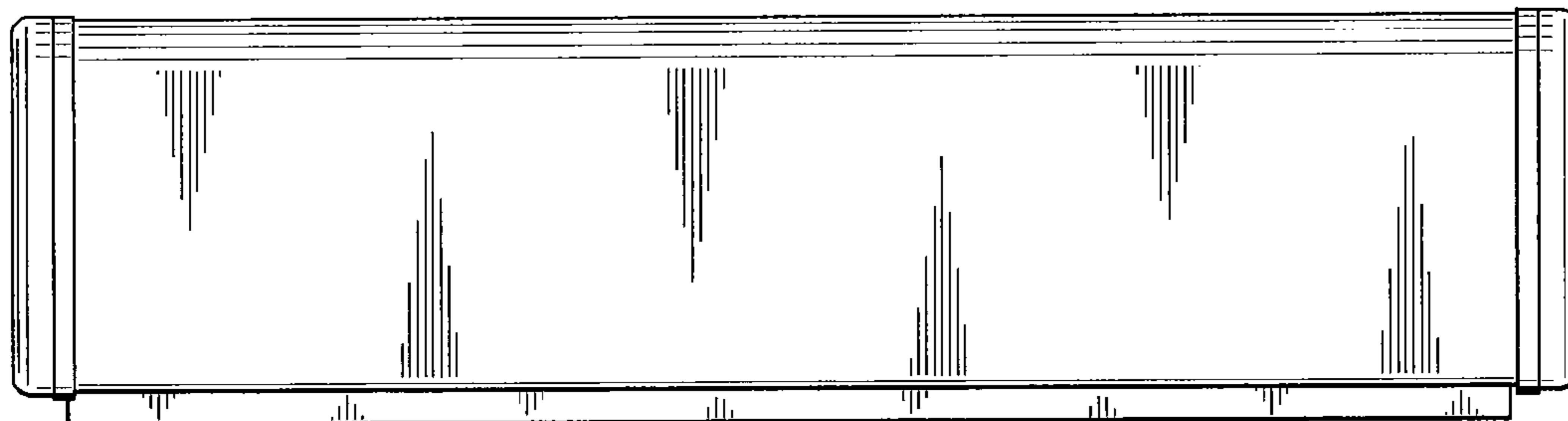


FIG. 4

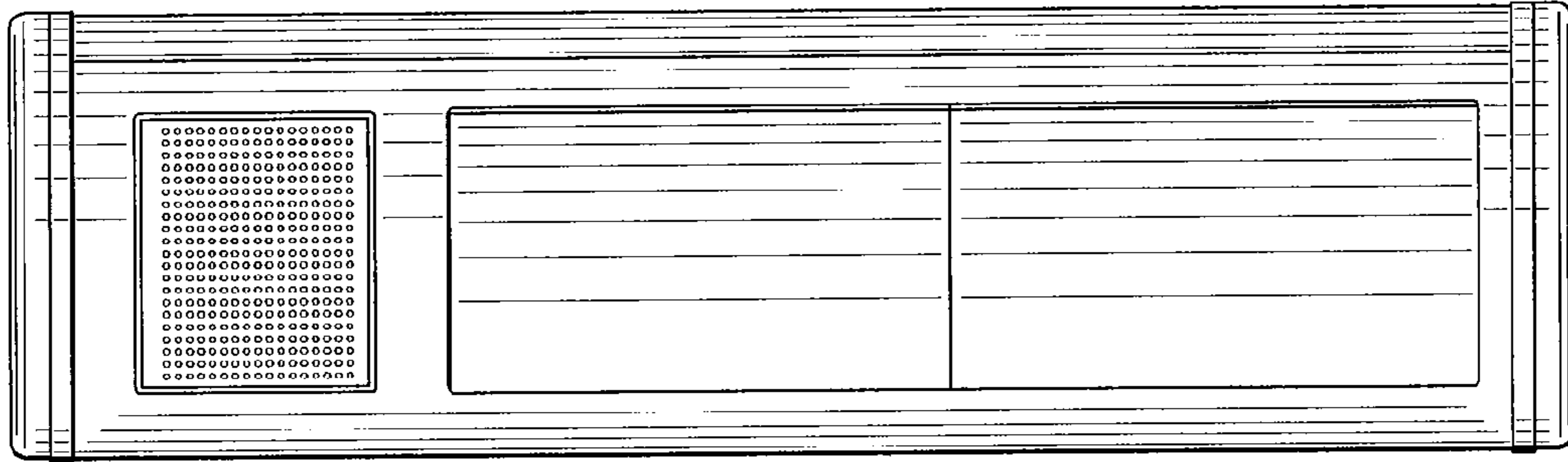


FIG. 5

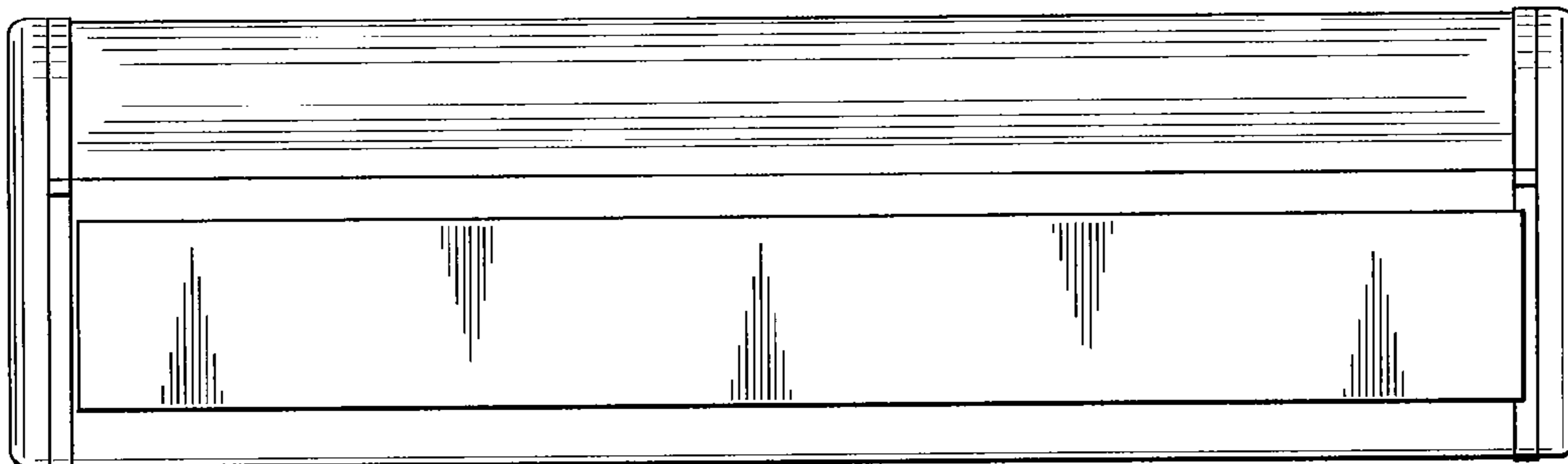


FIG. 6

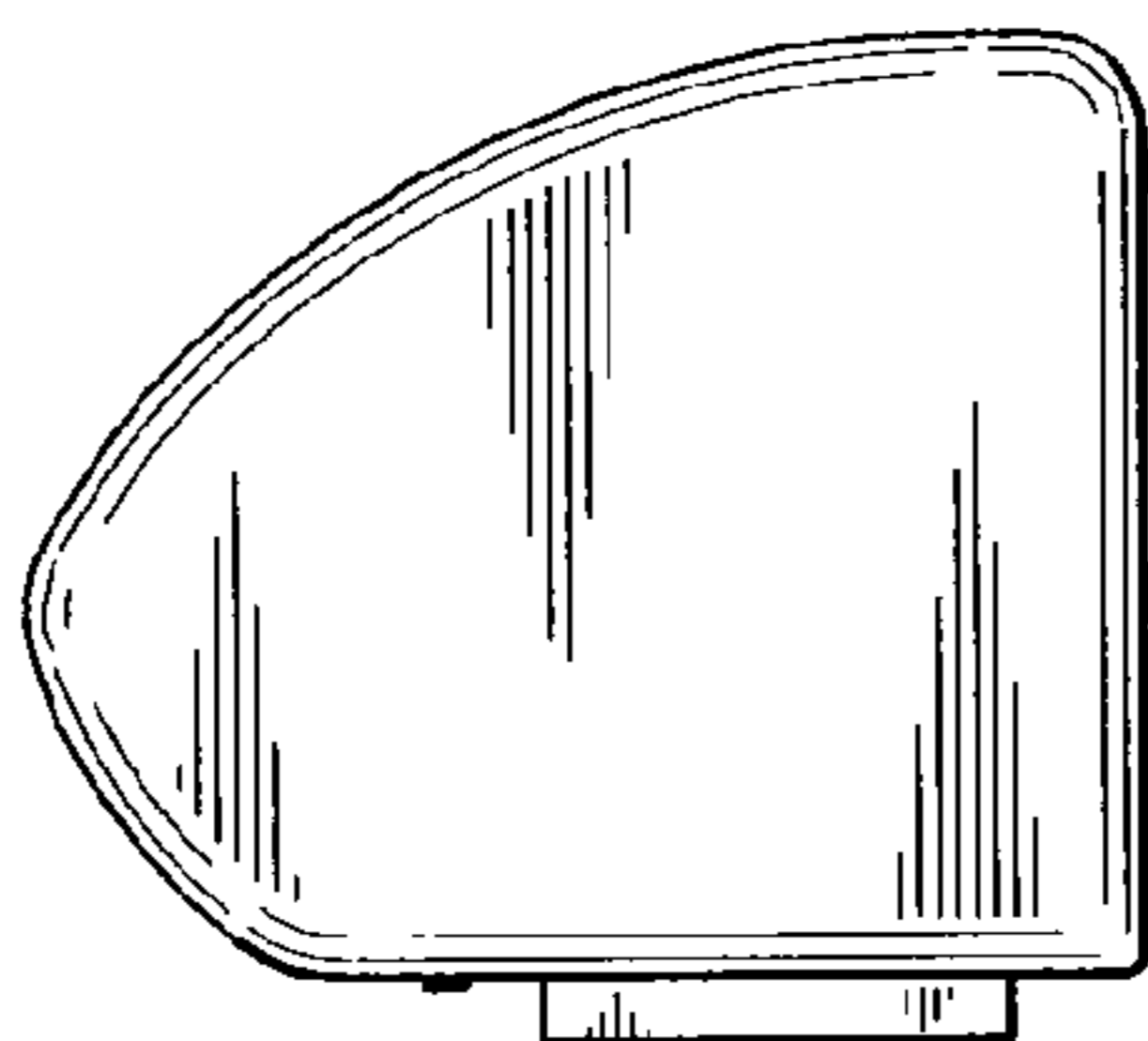
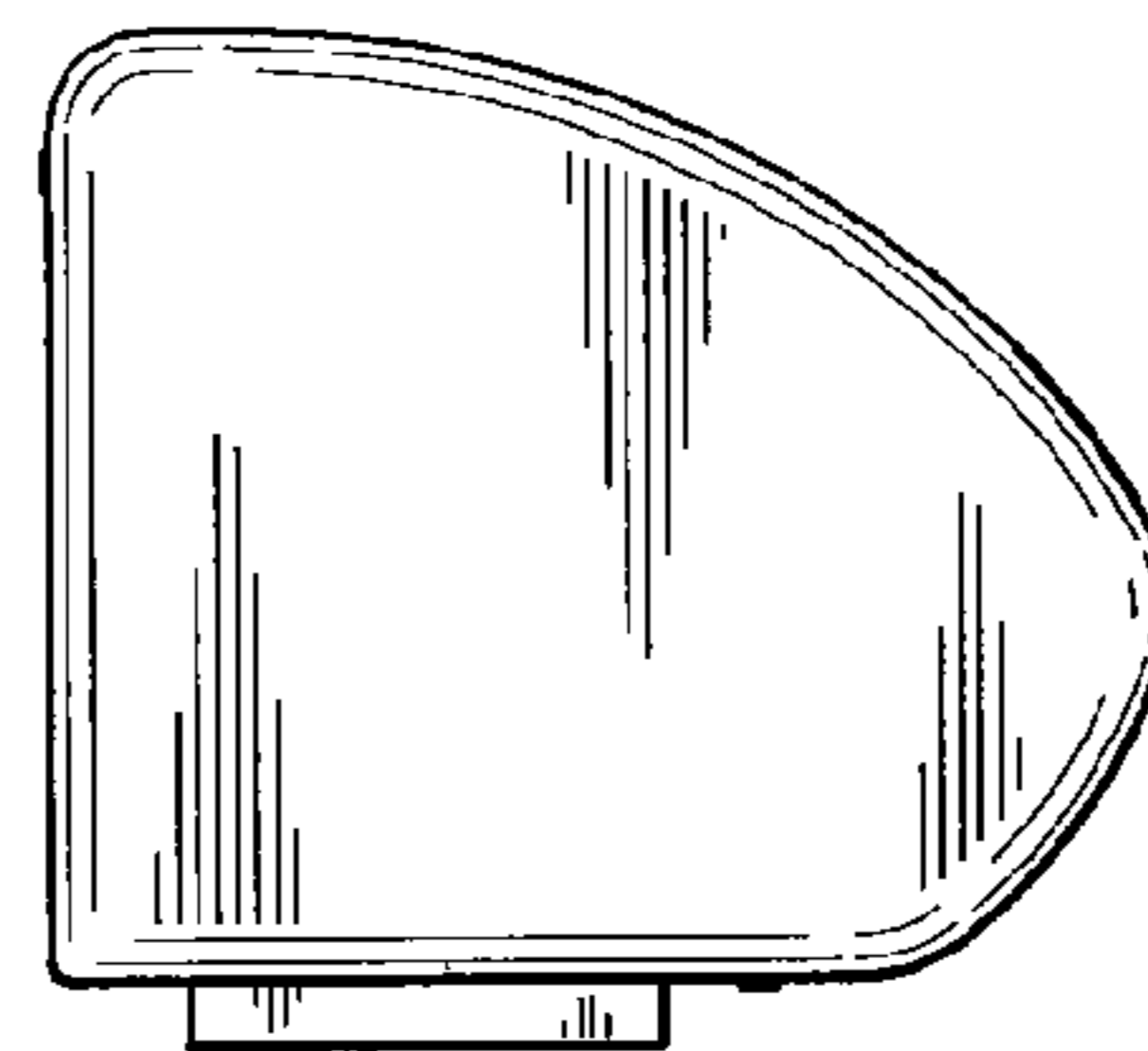


FIG. 7



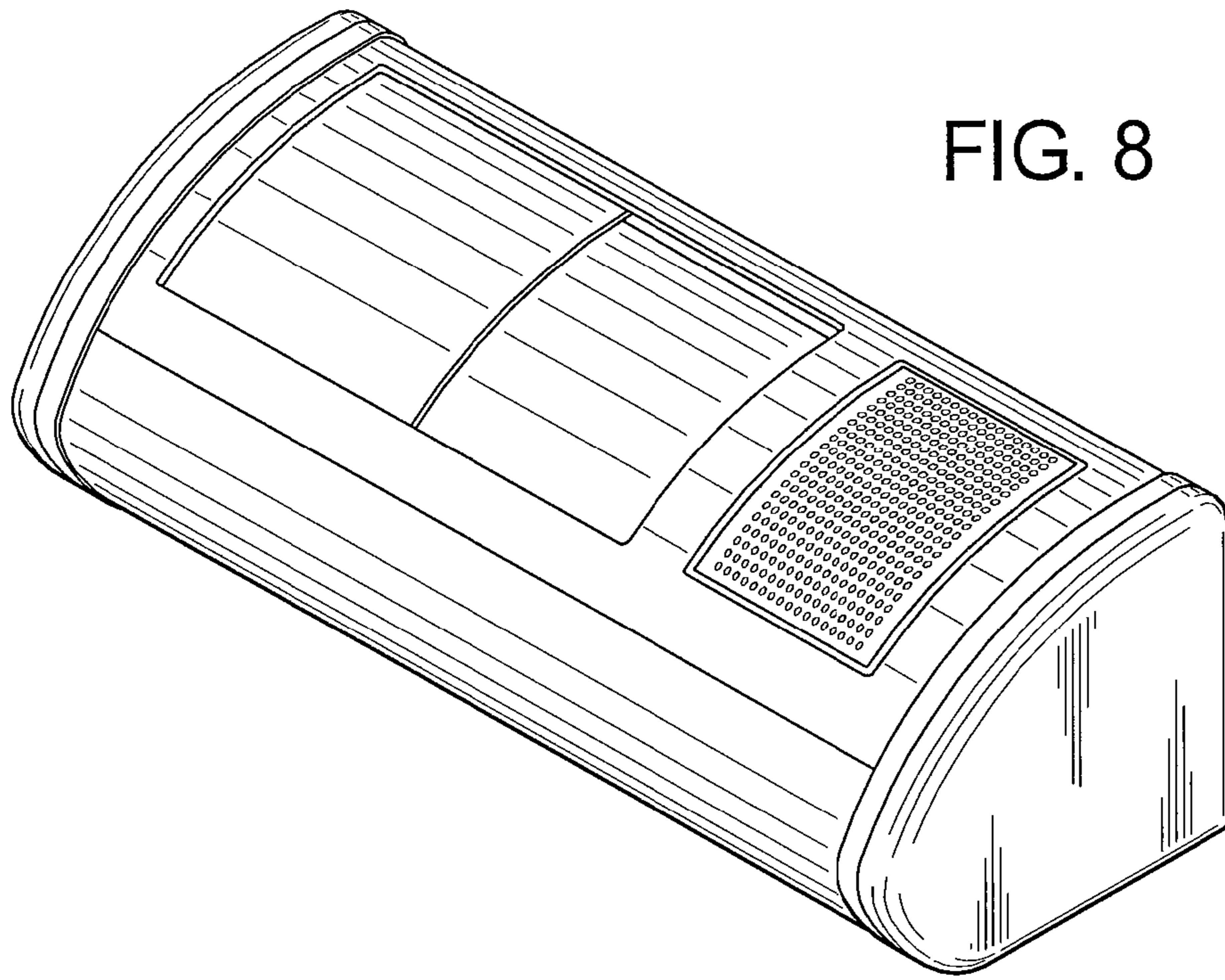


FIG. 9

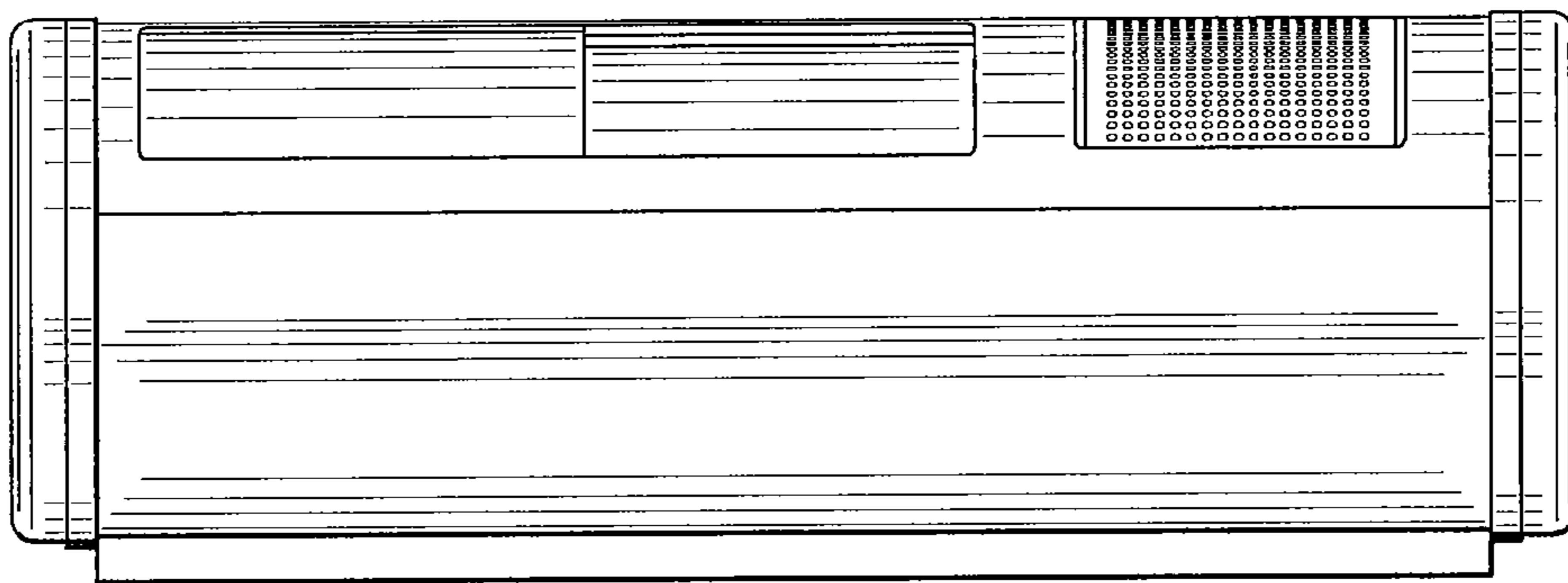


FIG. 10

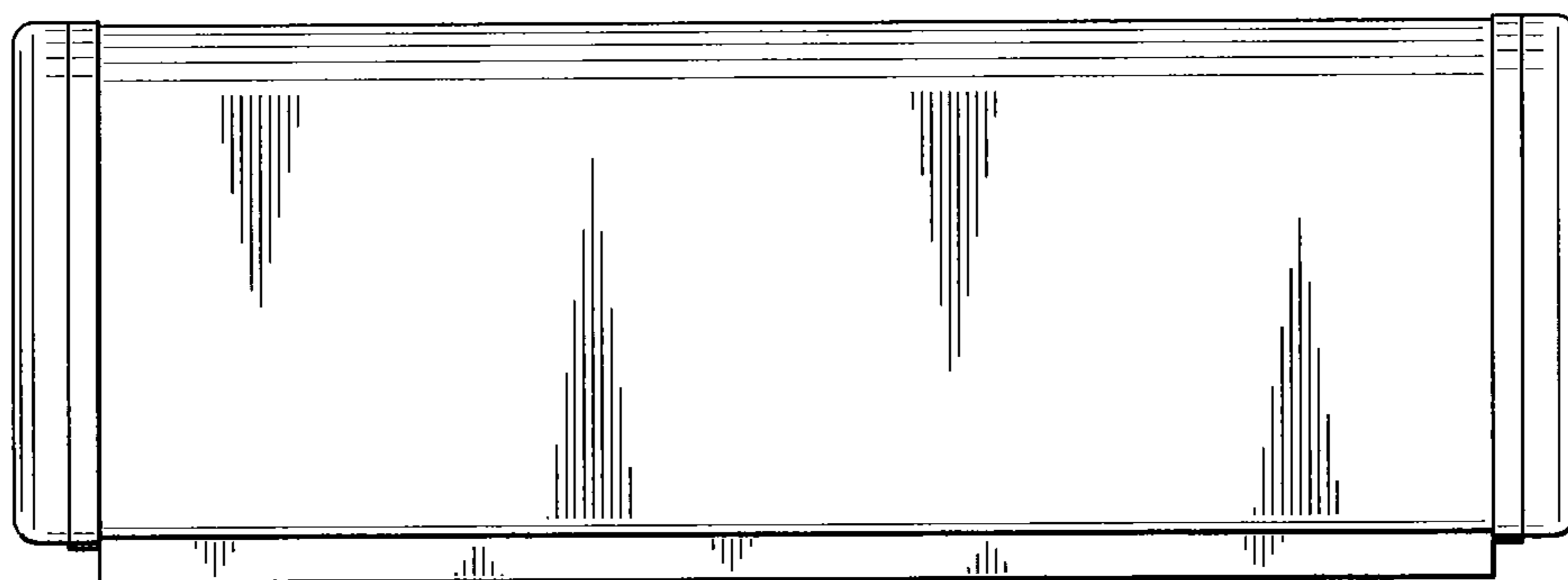


FIG. 11

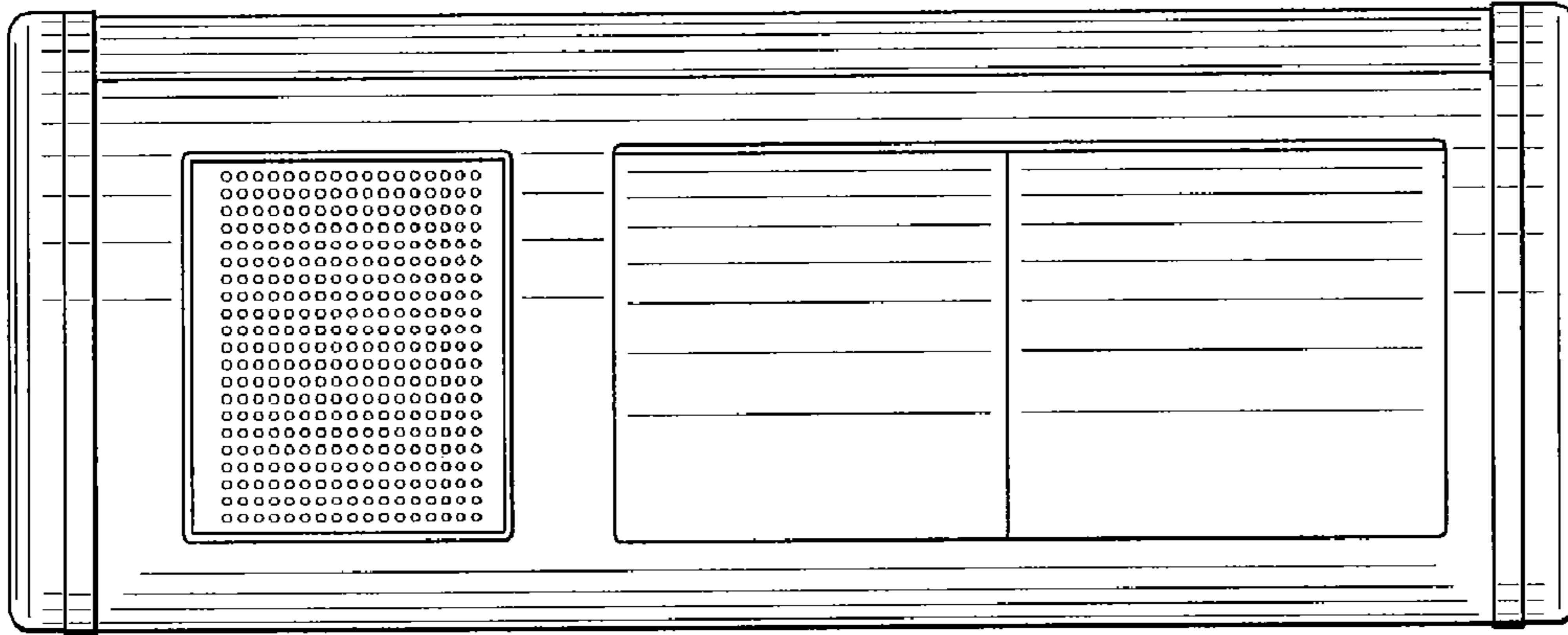


FIG. 12

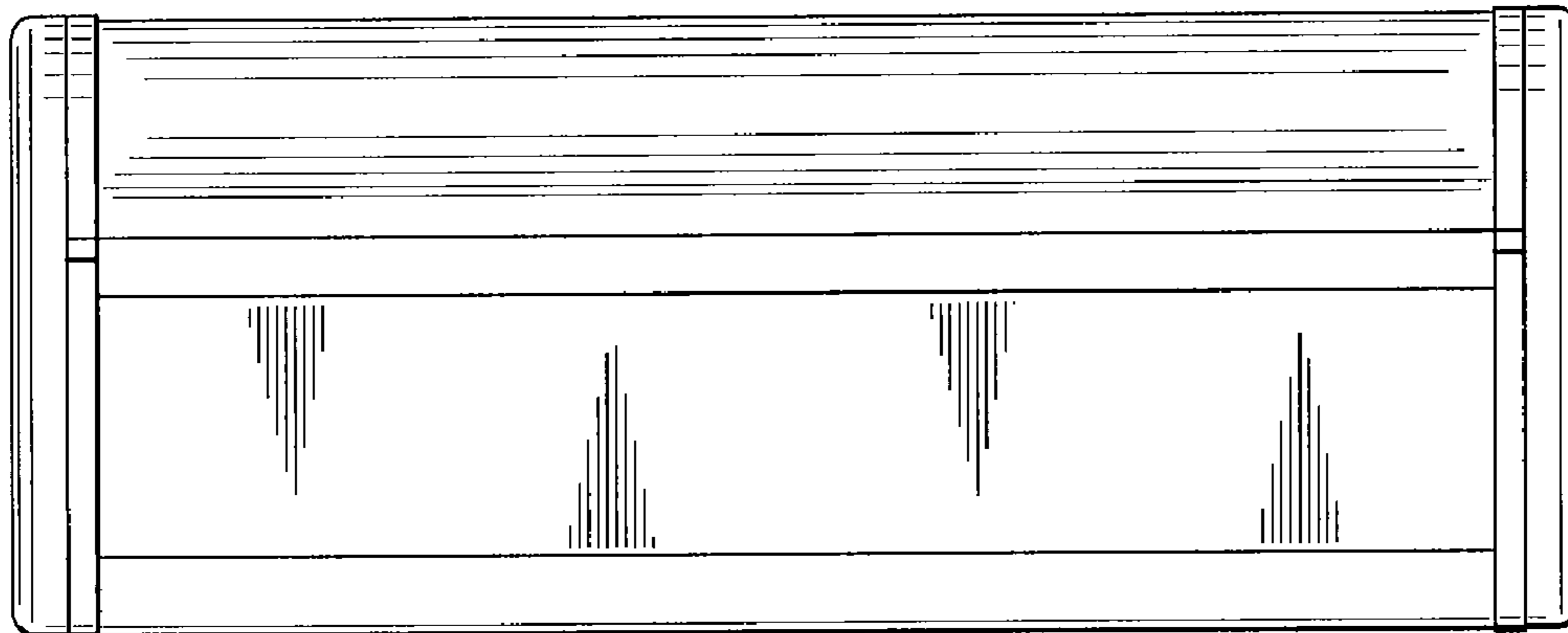


FIG. 13

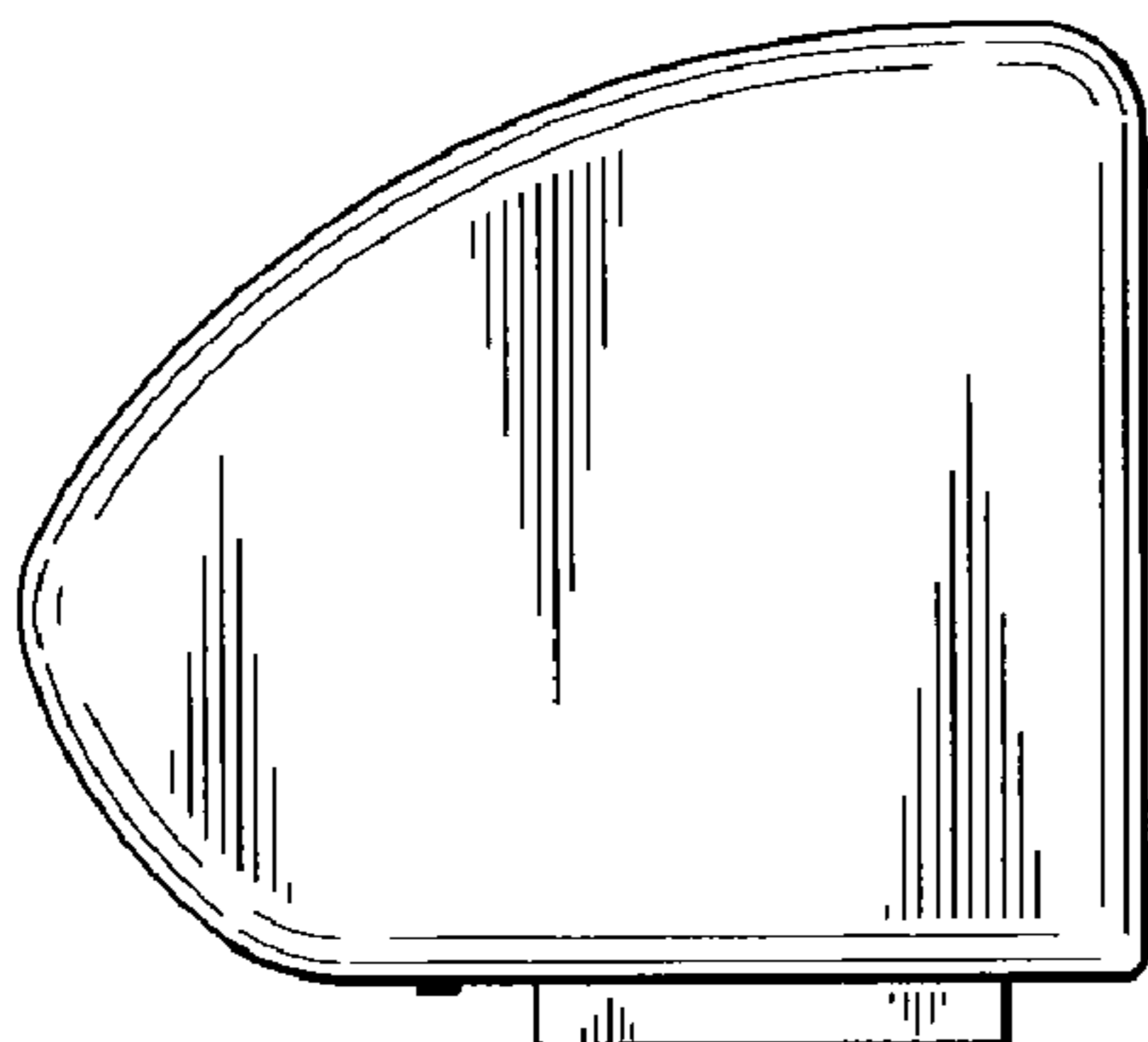


FIG. 14

