



US00D585464S

(12) **United States Design Patent**
Miyabayashi et al.

(10) **Patent No.:** **US D585,464 S**

(45) **Date of Patent:** **** Jan. 27, 2009**

(54) **COLD STORAGE SHOWCASE**

(75) Inventors: **Hiroyuki Miyabayashi**, Osaka (JP);
Masaru Sekine, Osaka (JP)

(73) Assignee: **Sanyo Electric Co., Ltd.**, Osaka (JP)

(**) Term: **14 Years**

(21) Appl. No.: **29/300,074**

(22) Filed: **Feb. 19, 2008**

(30) **Foreign Application Priority Data**

Aug. 30, 2007 (JP) 2007-023511

(51) **LOC (9) Cl.** **15-07**

(52) **U.S. Cl.** **D15/83; D15/79**

(58) **Field of Classification Search** D15/79,
D15/81, 83; D6/332, 476, 449, 491-495,
D6/509-511; 312/114, 116, 117, 236, 352,
312/400-408; 62/3.1, 3.6, 3.63, 3.64, 45.1,
62/236, 293, 331, 352, 371, 400-406, 440,
62/467

See application file for complete search history.

(56) **References Cited**

U.S. PATENT DOCUMENTS

D439,913 S * 4/2001 Jobst D15/84

D477,617 S * 7/2003 Resch D15/83

D483,045 S * 12/2003 Resch D15/83

D520,530 S * 5/2006 Resch D15/83

D524,330 S * 7/2006 Pedersen et al. D15/81

D541,827 S * 5/2007 Resch D15/83

* cited by examiner

Primary Examiner—Stella M Reid

Assistant Examiner—Shanda C Hill

(74) *Attorney, Agent, or Firm*—Rabin & Berdo, PC

(57) **CLAIM**

The ornamental design for a cold storage showcase, as shown and described.

DESCRIPTION

FIG. 1 is a perspective view of a cold storage showcase showing our new design;

FIG. 2 is a front elevation view thereof;

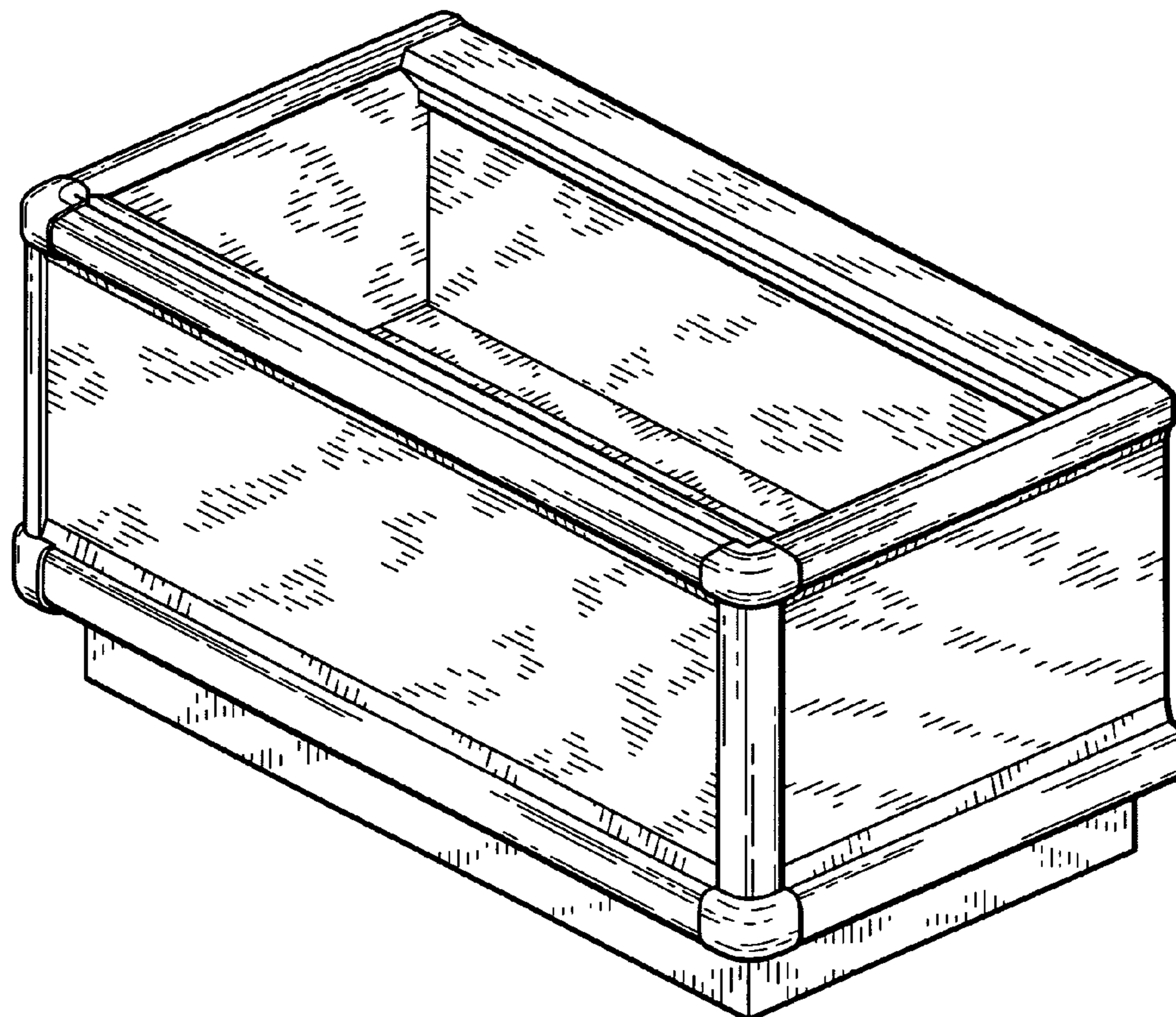
FIG. 3 is a rear elevation view thereof;

FIG. 4 is a top plan view thereof;

FIG. 5 is a bottom plan view thereof; and,

FIG. 6 is a right side view thereof, a left side view thereof being a mirror image.

1 Claim, 3 Drawing Sheets



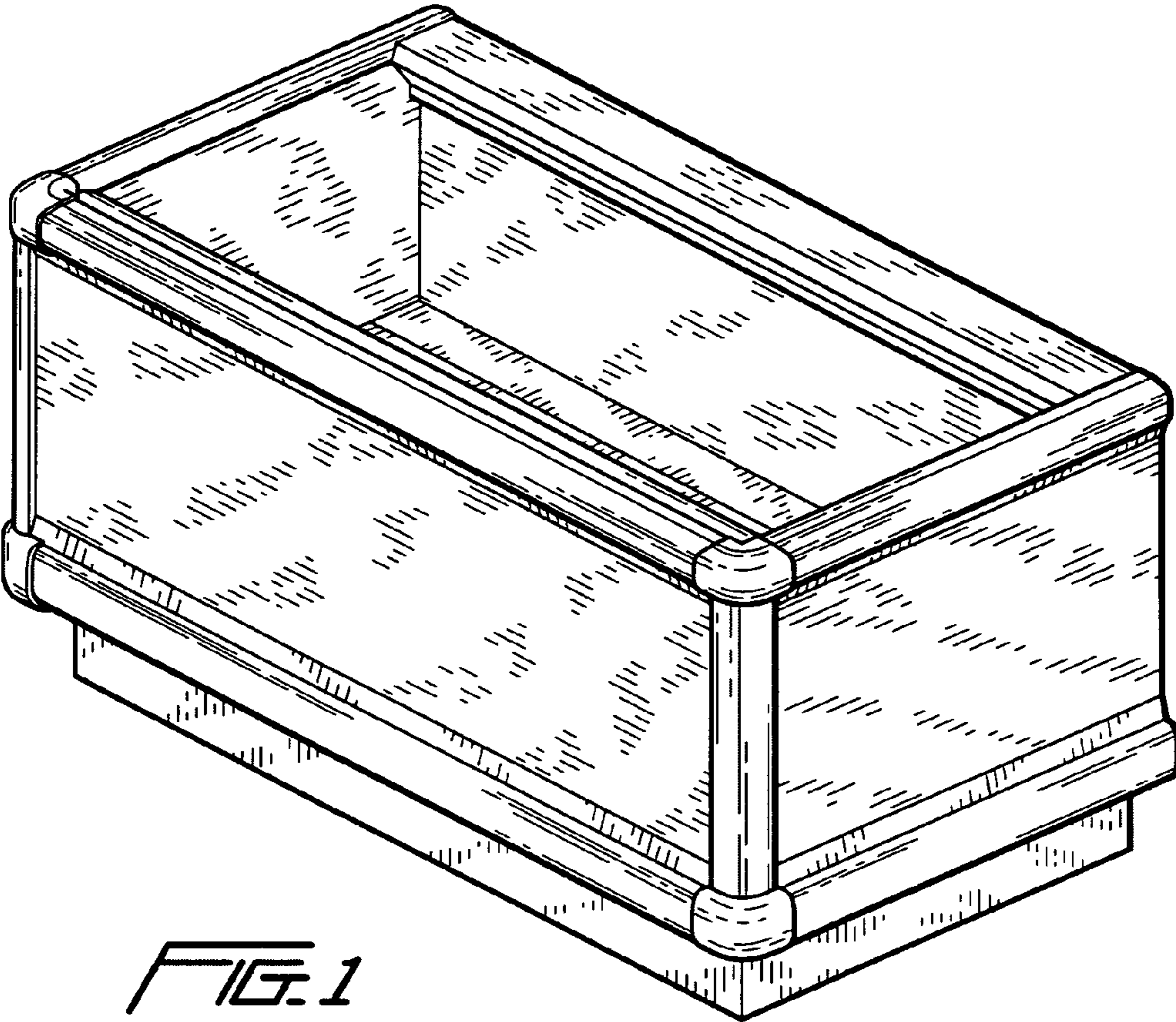


FIG. 1

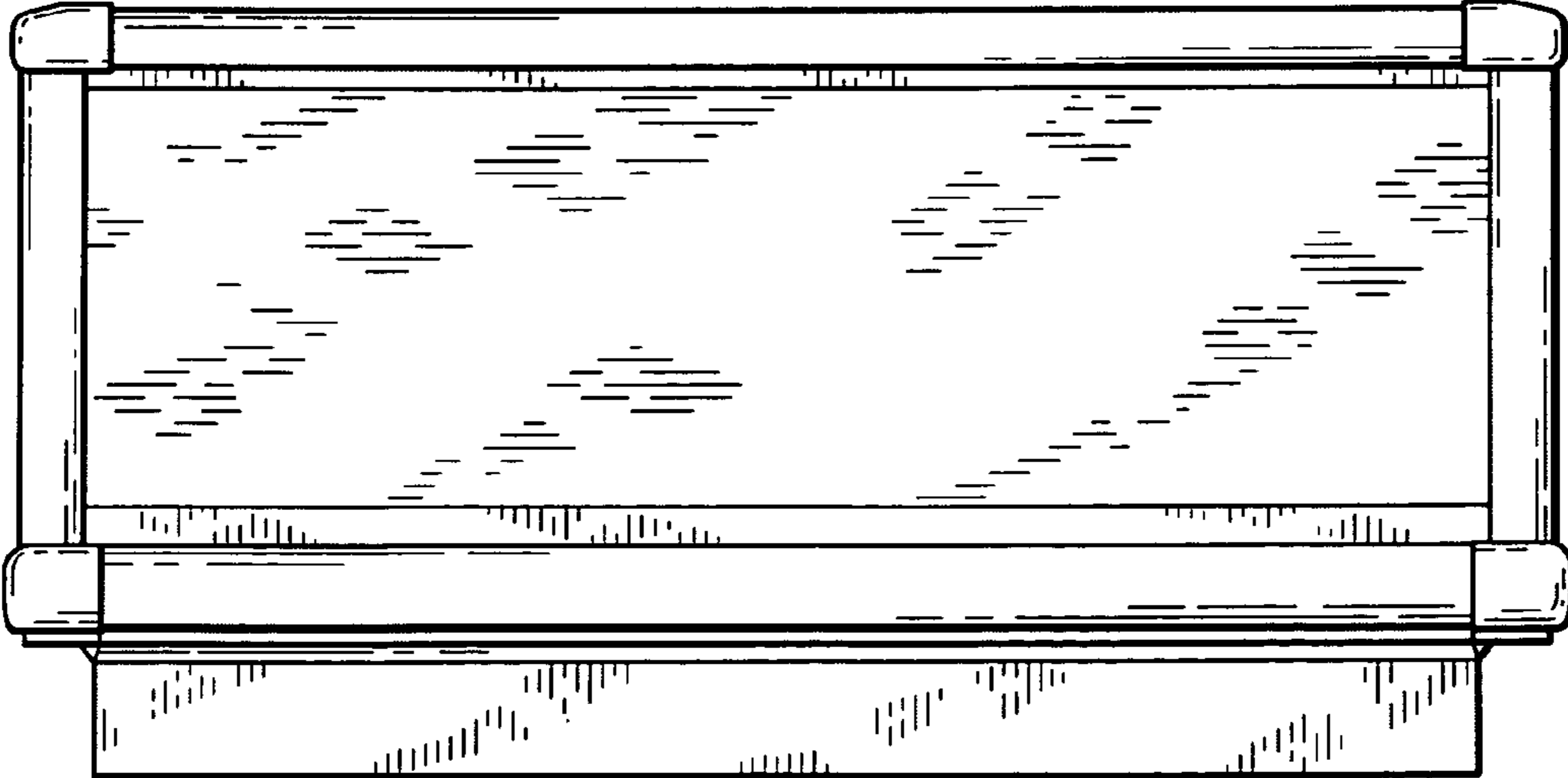


FIG. 2

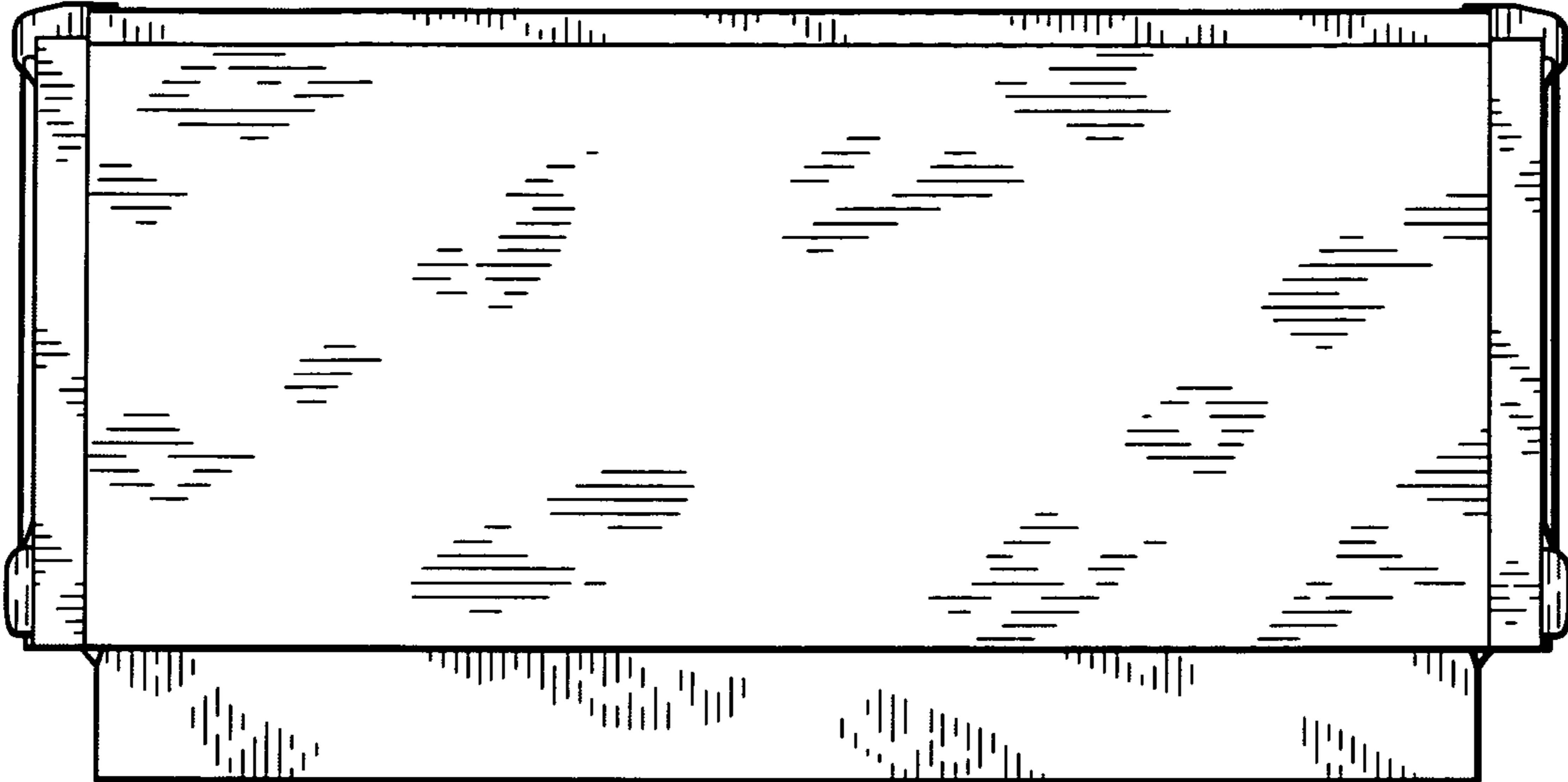


FIG. 3

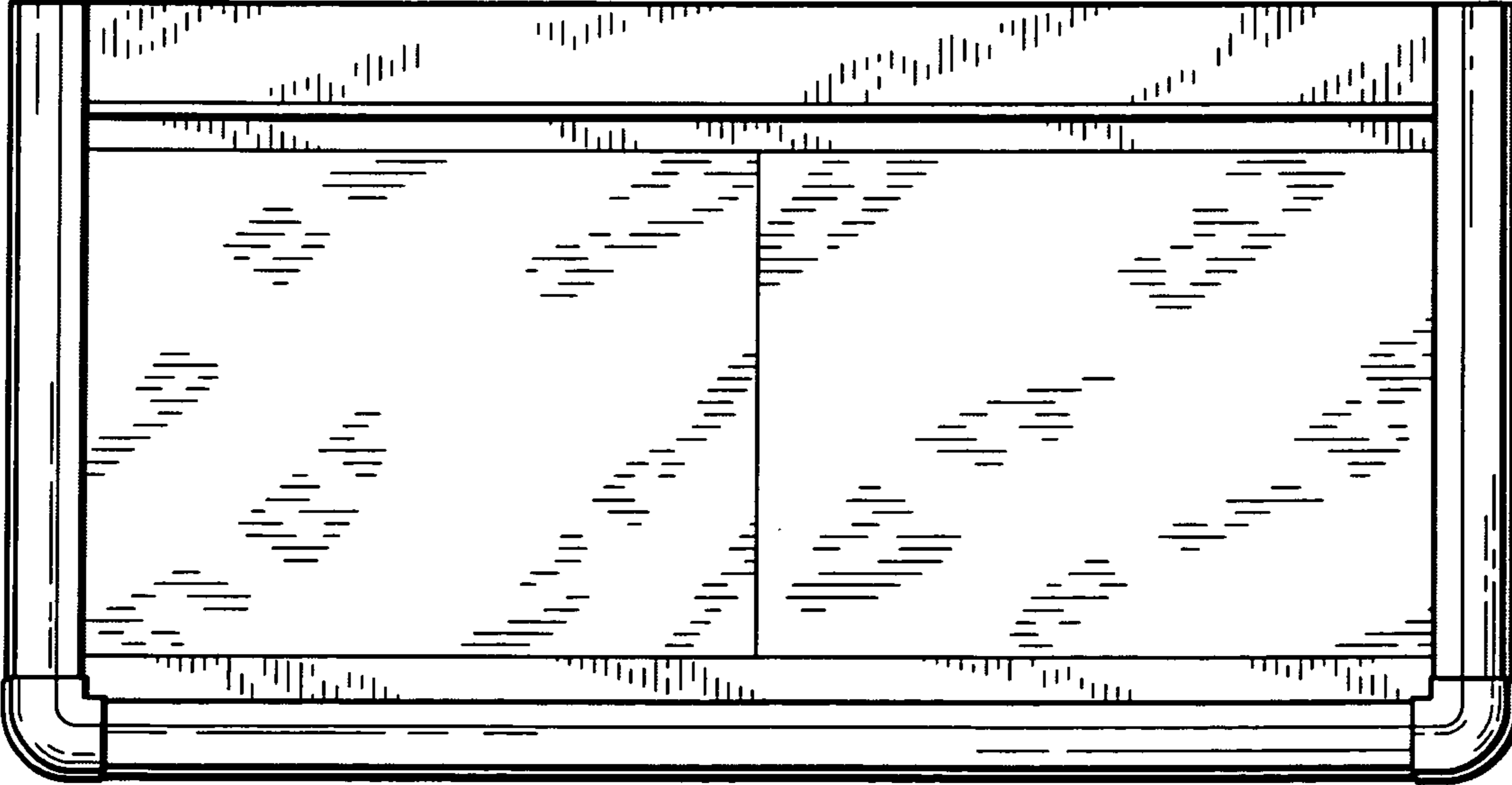


FIG. 4

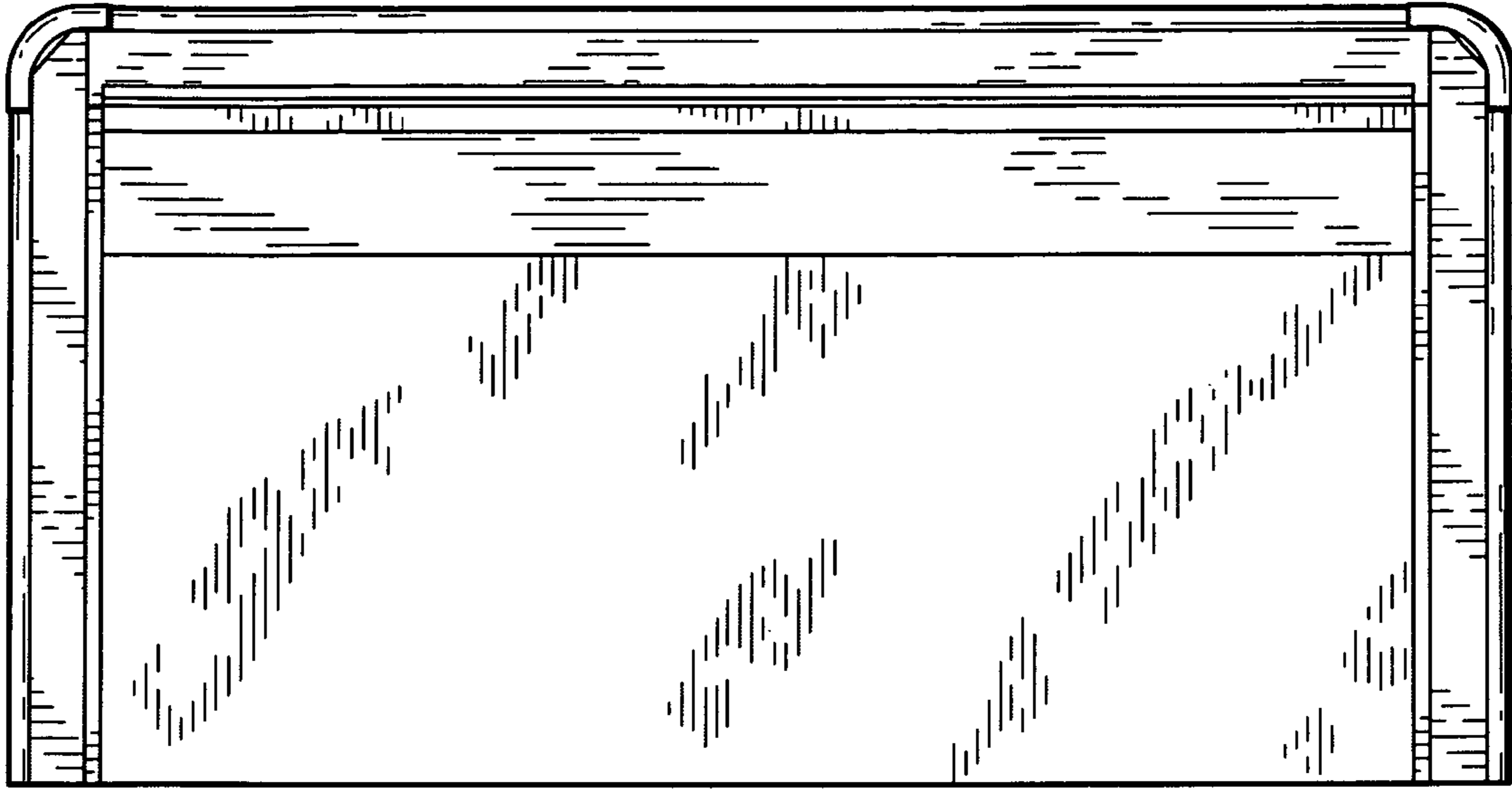


FIG. 5

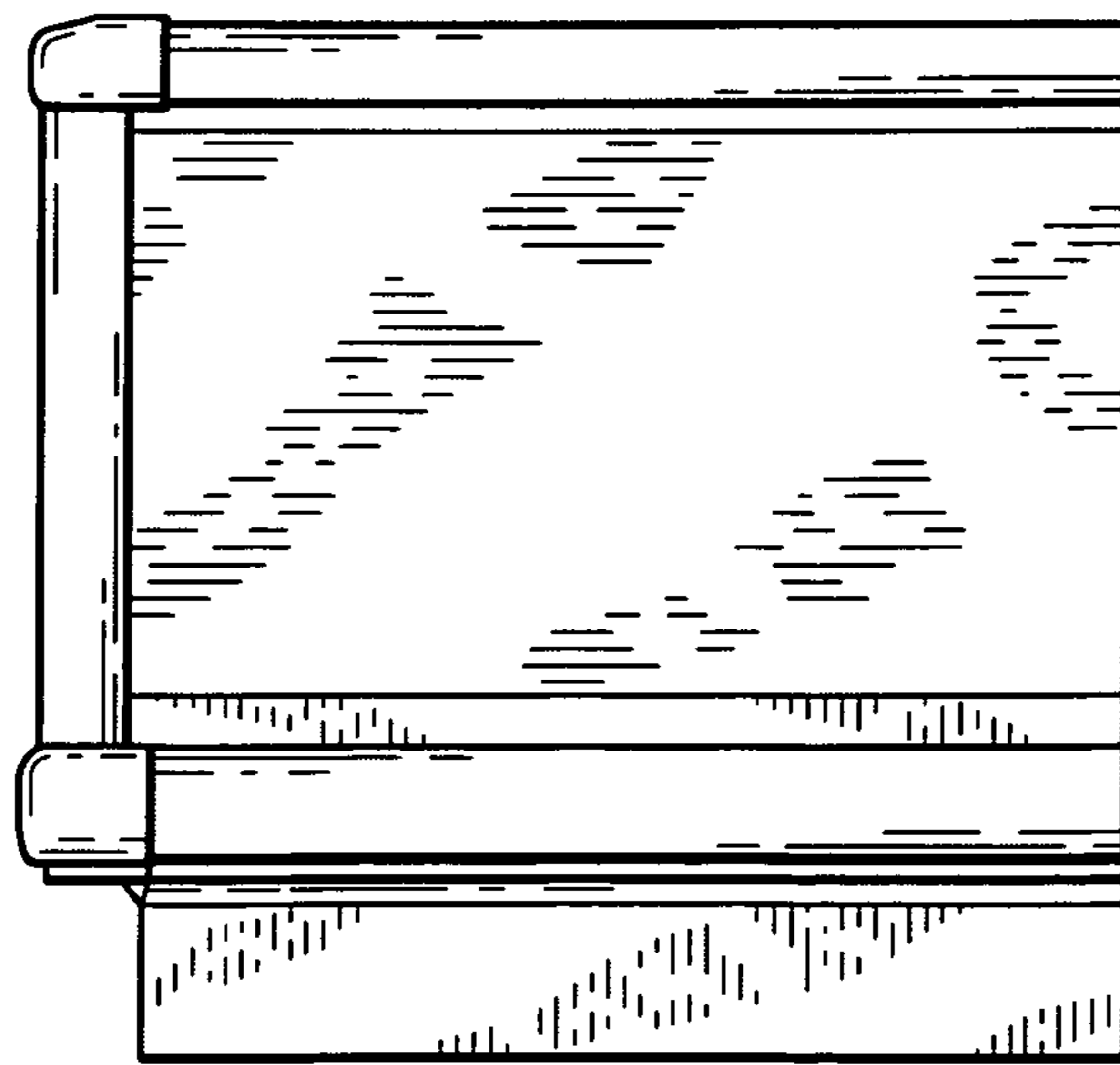


FIG. 6