



US00D585463S

(12) **United States Design Patent**  
**Woehrle**

(10) **Patent No.:** **US D585,463 S**

(45) **Date of Patent:** **\*\* Jan. 27, 2009**

(54) **SEWING MACHINE**

(75) Inventor: **Nikolaus Woehrle**, Antioch, TN (US)

(73) Assignee: **KSIN Luxembourg III, S.ar.l**,  
Luxembourg (LU)

(\*\*) Term: **14 Years**

(21) Appl. No.: **29/290,568**

(22) Filed: **Dec. 18, 2007**

(30) **Foreign Application Priority Data**

Oct. 26, 2007 (EM) ..... 000816095-0001

(51) **LOC (9) Cl.** ..... **15-06**

(52) **U.S. Cl.** ..... **D15/70**

(58) **Field of Classification Search** ..... D15/66-71,  
D15/77; D21/527; 112/2, 78, 154, 475.01  
See application file for complete search history.

(56) **References Cited**

**U.S. PATENT DOCUMENTS**

D290,368 S *	6/1987	Eguchi	.....	D15/69
D347,847 S *	6/1994	Eguchi	.....	D15/69
D450,722 S *	11/2001	Kawaguchi	.....	D15/69
D481,739 S *	11/2003	Iwai	.....	D15/69
D506,212 S *	6/2005	Kuroki	.....	D15/69
D515,111 S *	2/2006	Egami	.....	D15/70
D557,291 S *	12/2007	Gustafsson	.....	D15/70

\* cited by examiner

*Primary Examiner*—Stella M. Reid

*Assistant Examiner*—Shanda Hill

(74) *Attorney, Agent, or Firm*—Venable LLP; Eric J. Franklin

(57) **CLAIM**

The ornamental design for a sewing machine, as shown and described.

**DESCRIPTION**

FIG. 1 is a perspective view of a first embodiment of a sewing machine showing my new design;

FIG. 2 is a left side view thereof;

FIG. 3 is a right side view thereof;

FIG. 4 is a front view thereof;

FIG. 5 is a rear view thereof;

FIG. 6 is a top view thereof;

FIG. 7 is a bottom view thereof;

FIG. 8 is a perspective view of a second embodiment of the sewing machine showing my new design;

FIG. 9 is a left side view thereof;

FIG. 10 is a right side view thereof;

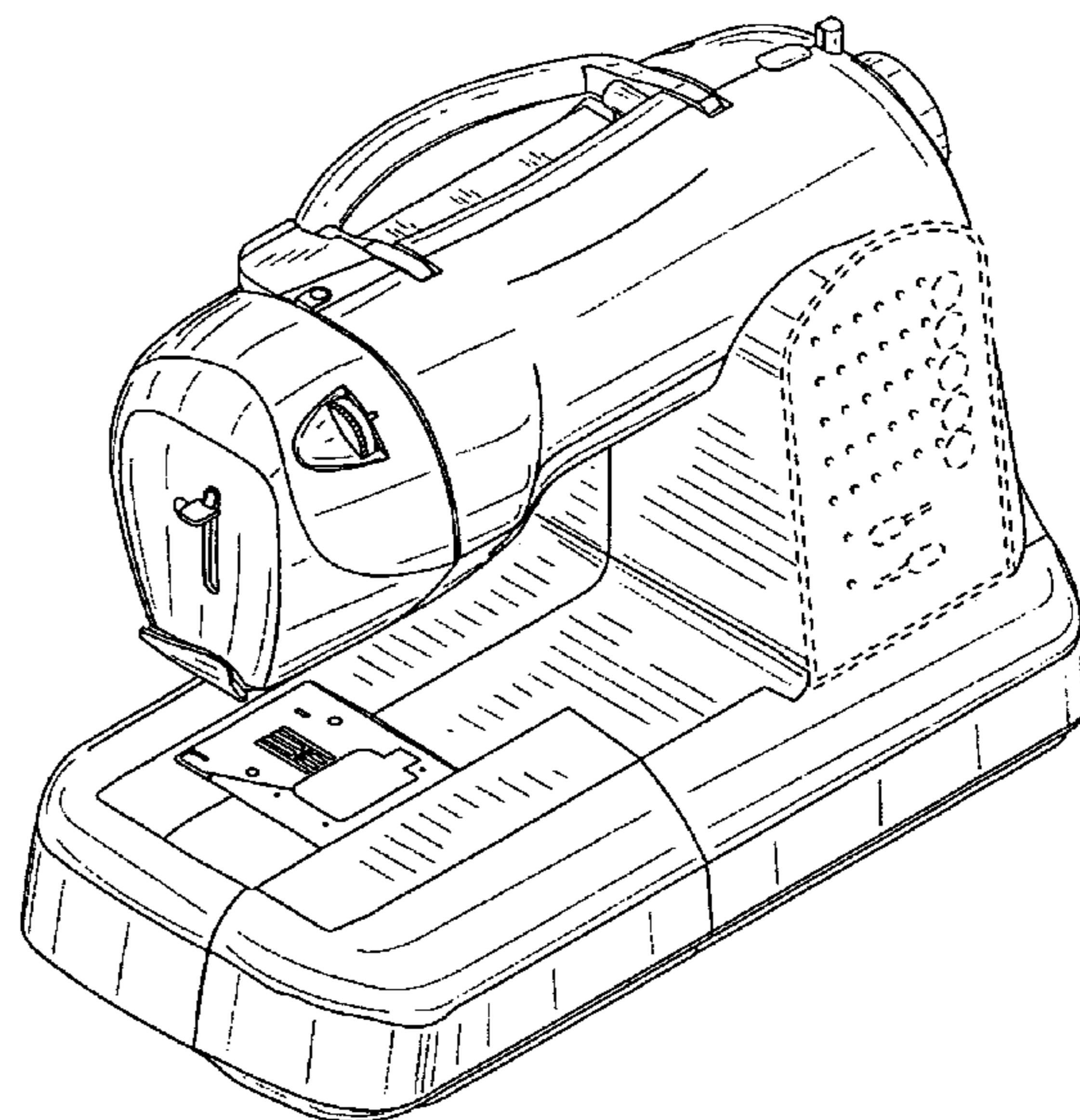
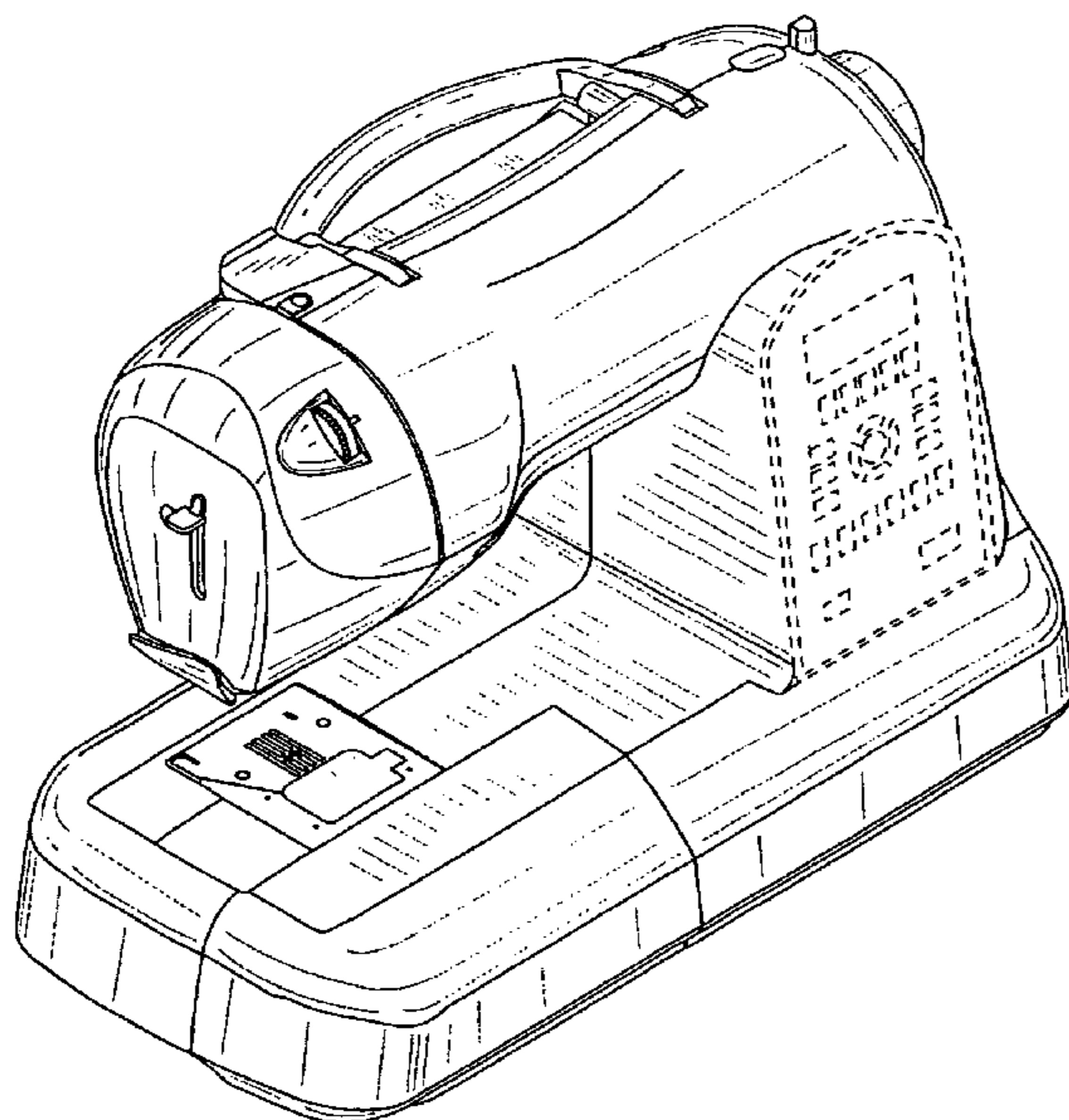
FIG. 11 is a front view thereof;

FIG. 12 is a rear view thereof;

FIG. 13 is a top view thereof; and,

FIG. 14 is a bottom view thereof.

**1 Claim, 14 Drawing Sheets**



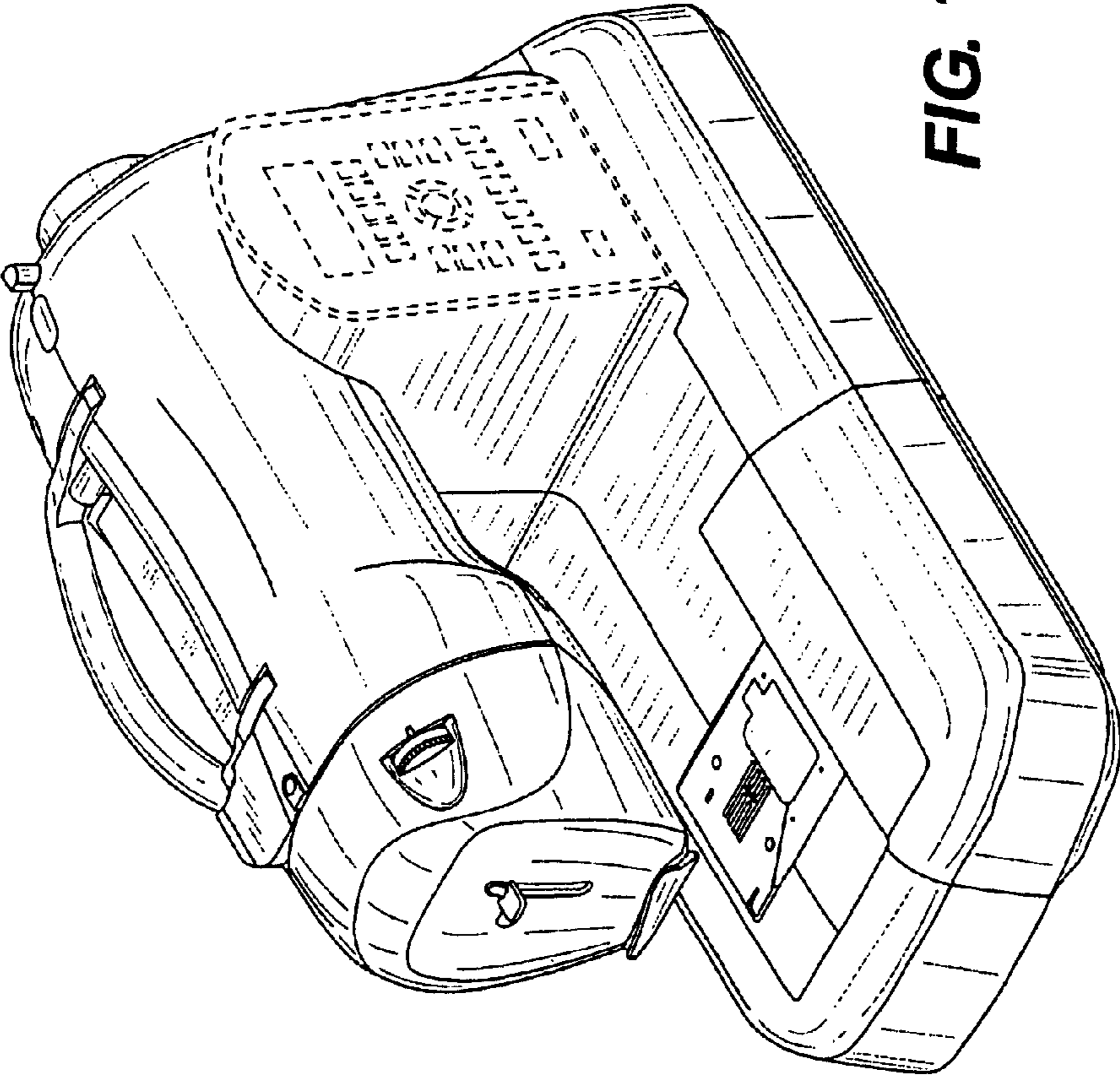
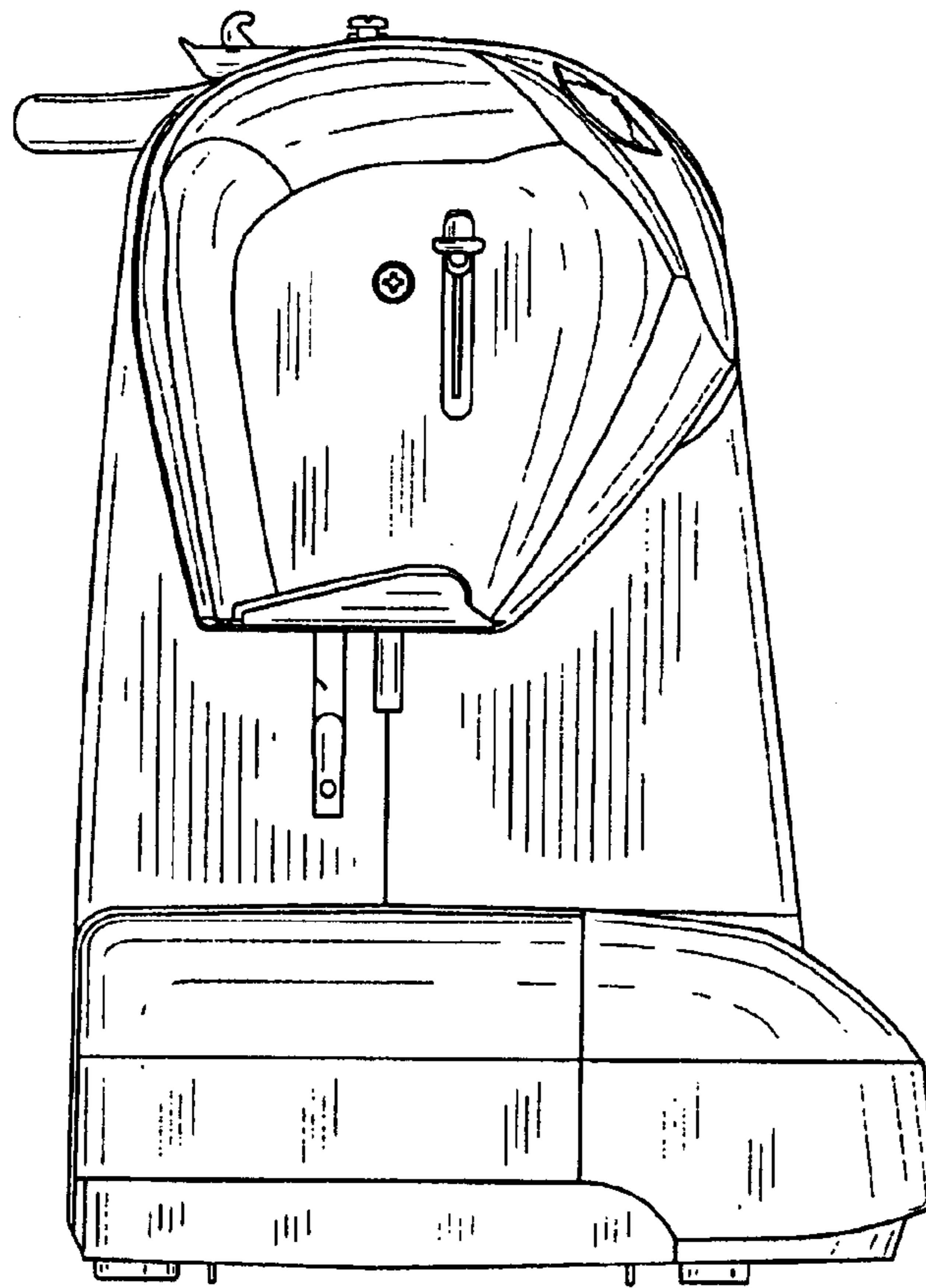
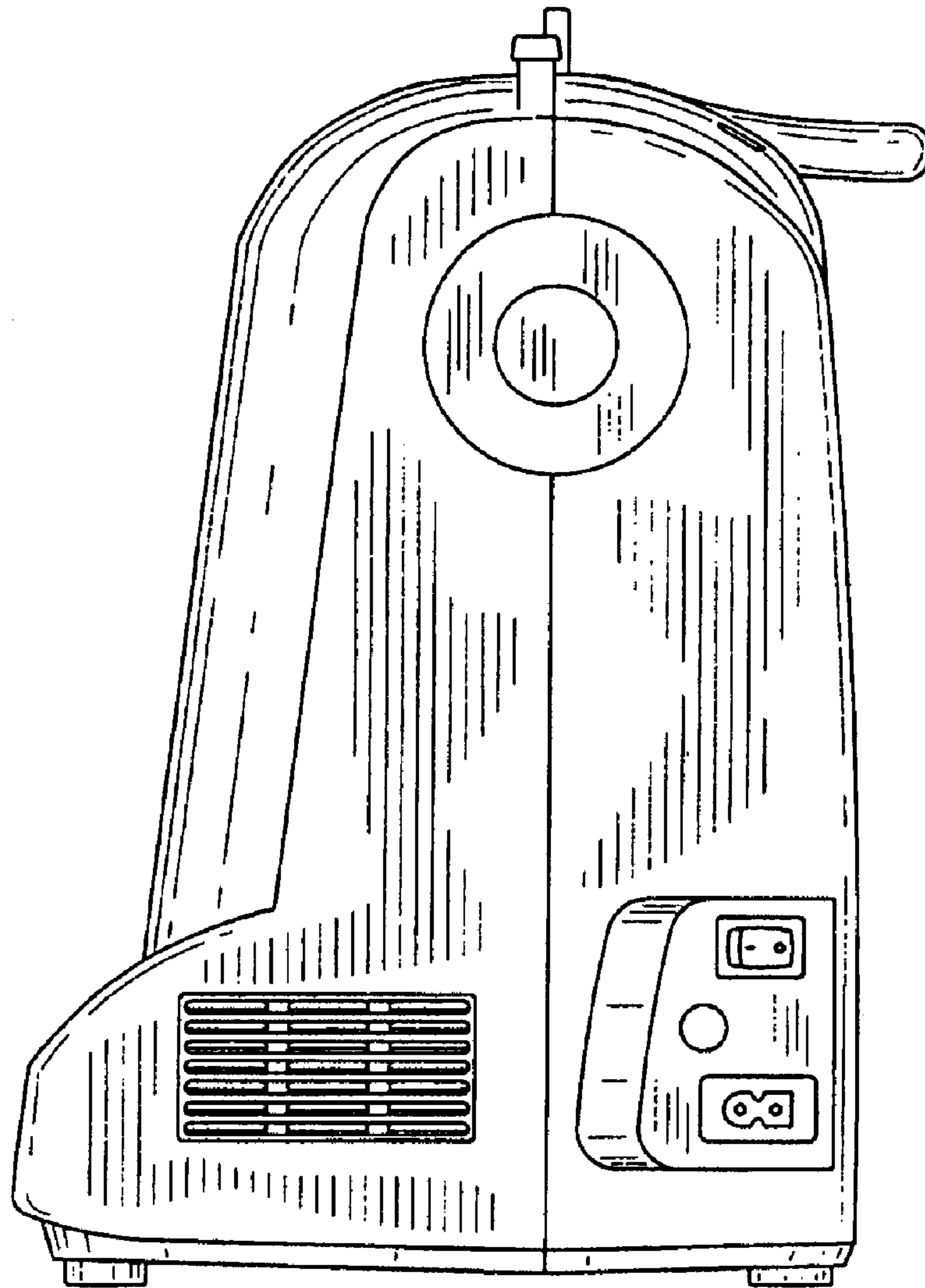


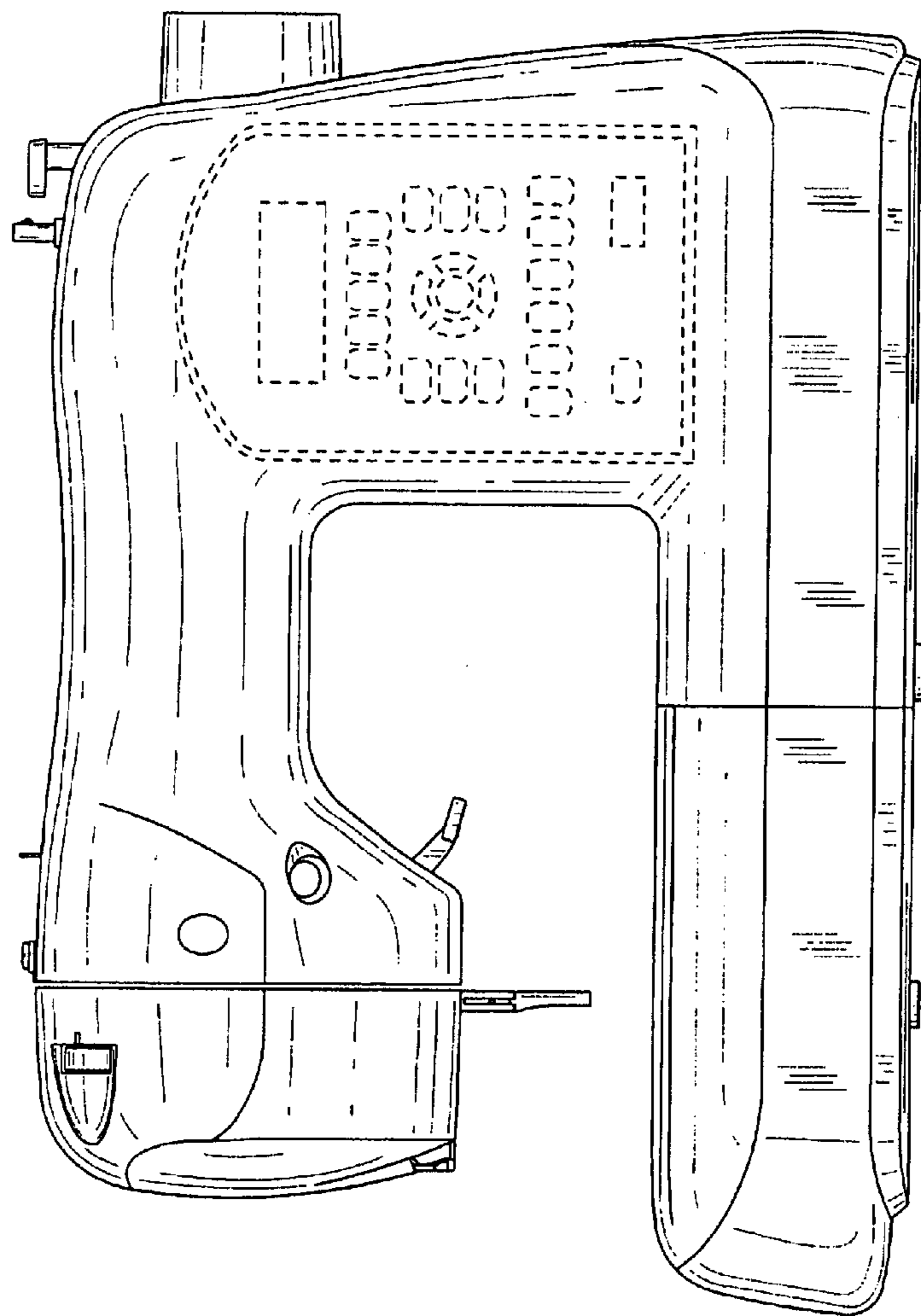
FIG. 1



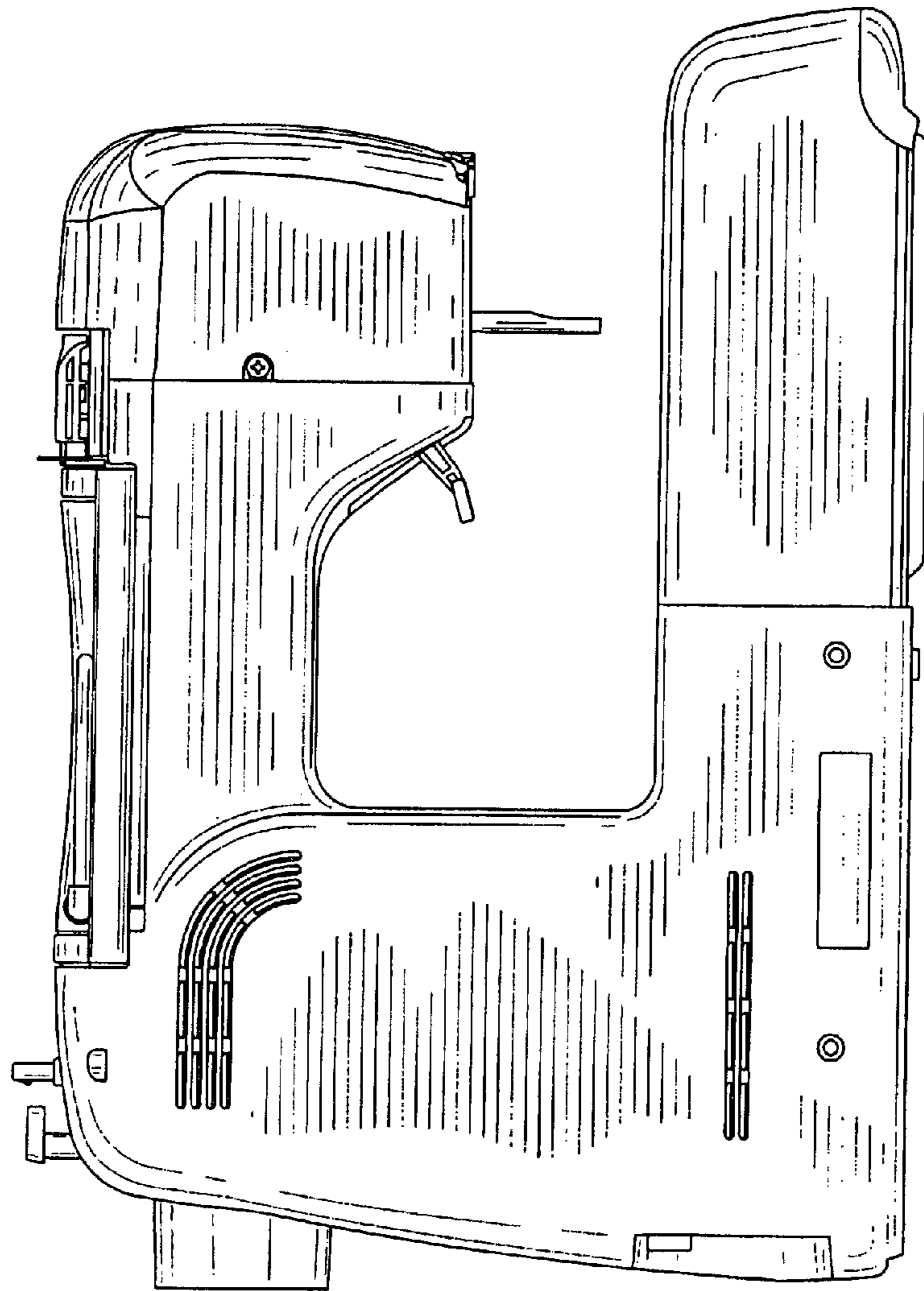
**FIG. 2**



**FIG. 3**



**FIG. 4**



**FIG. 5**

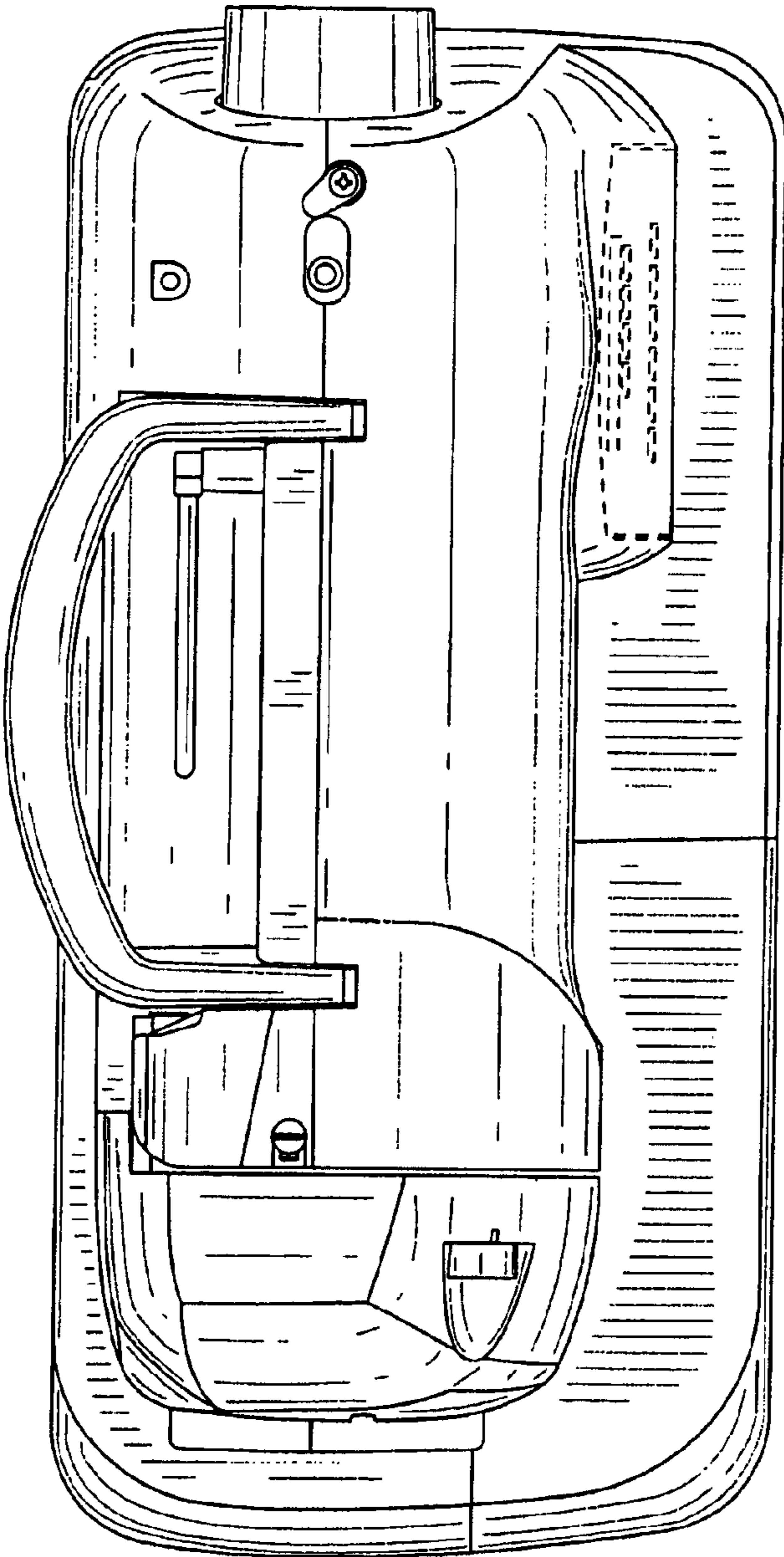
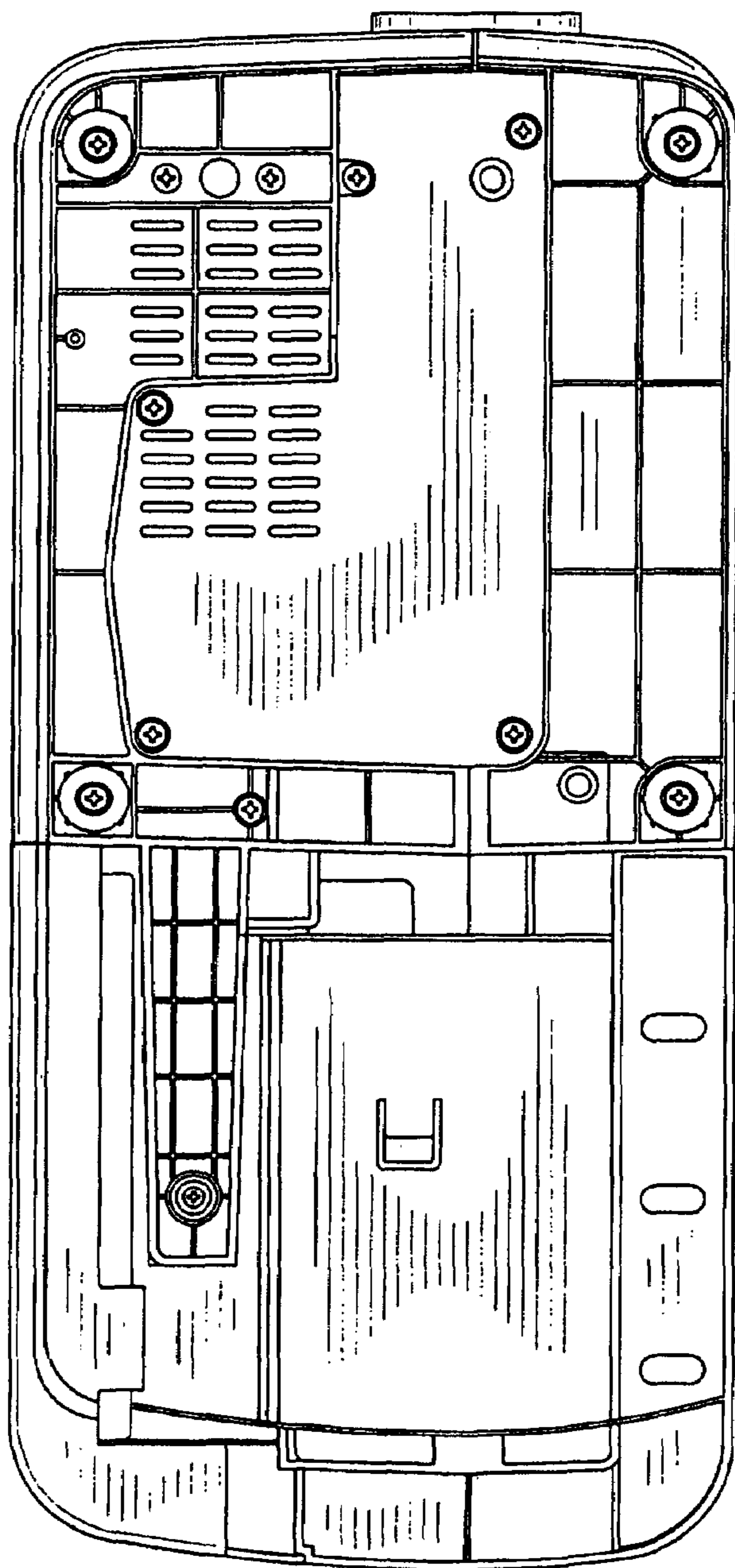
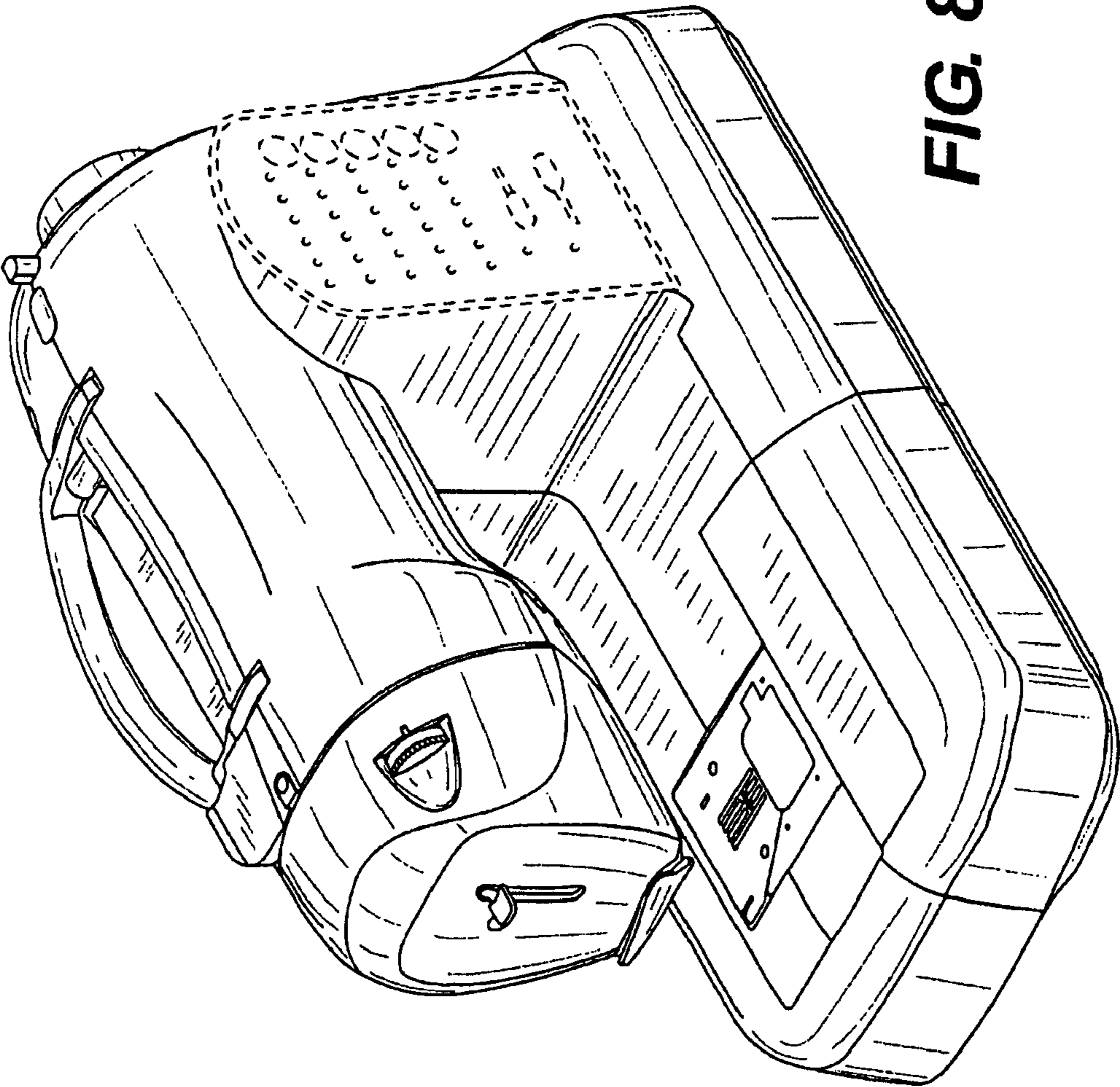


FIG. 6

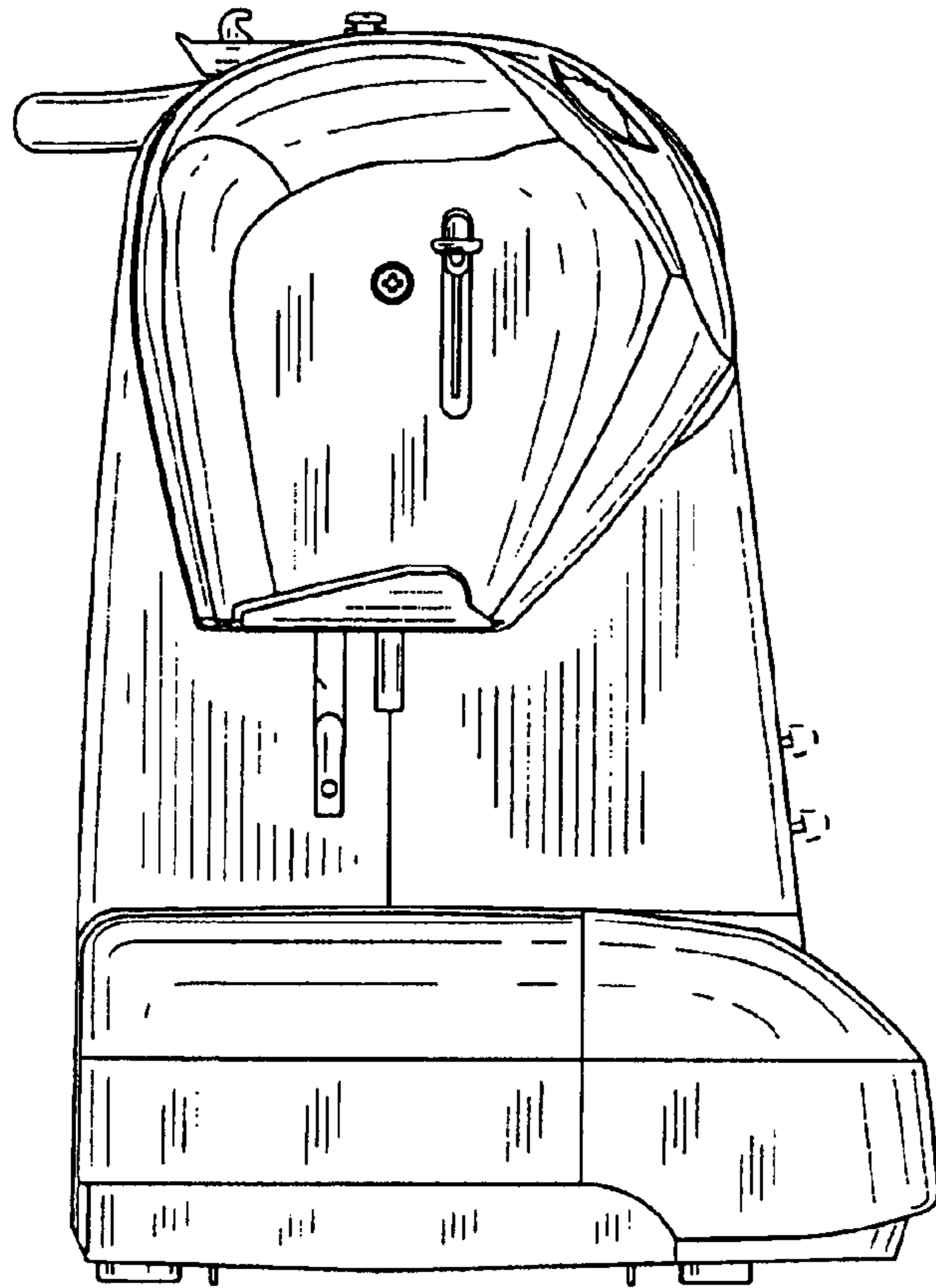


**FIG. 7**

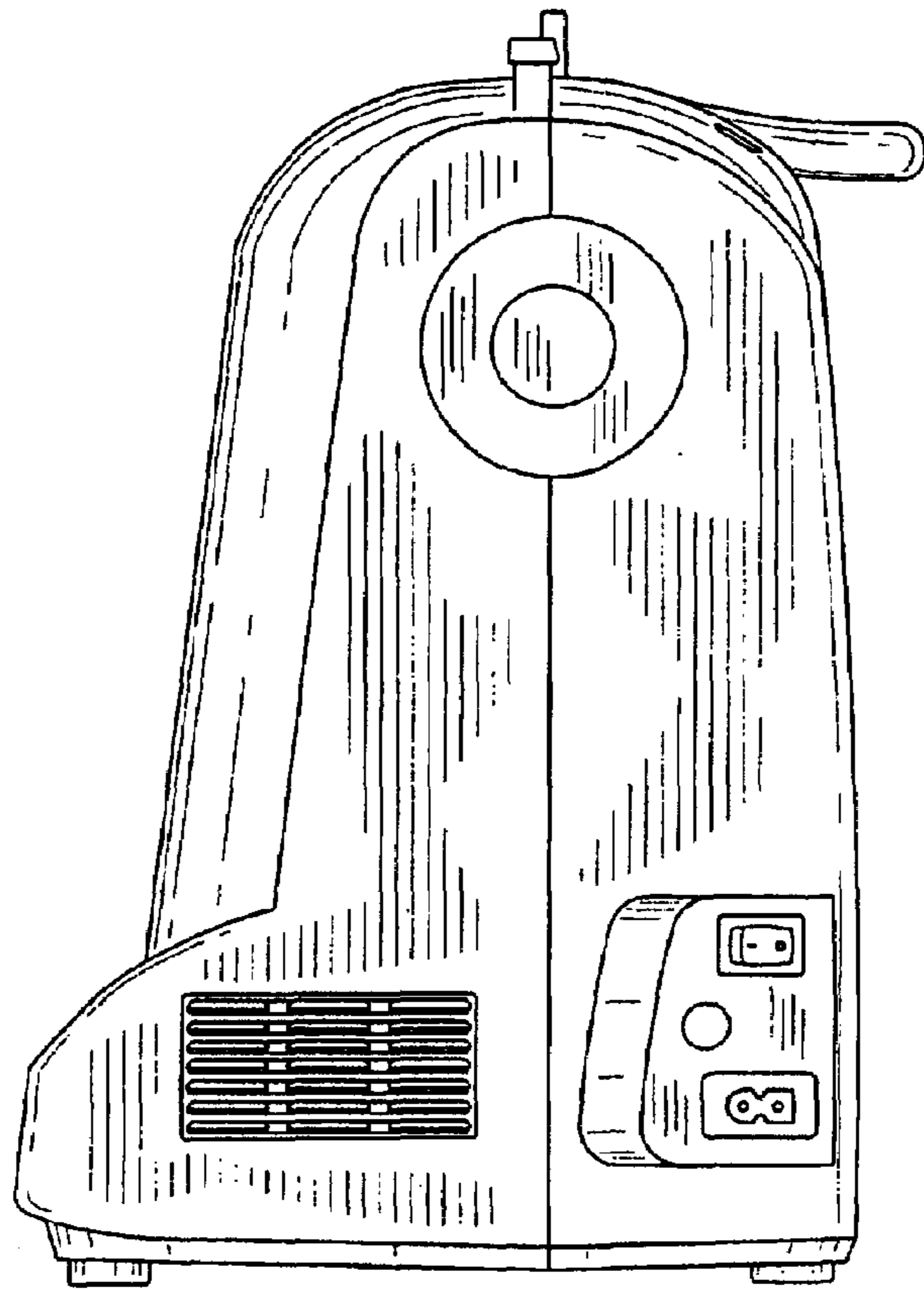




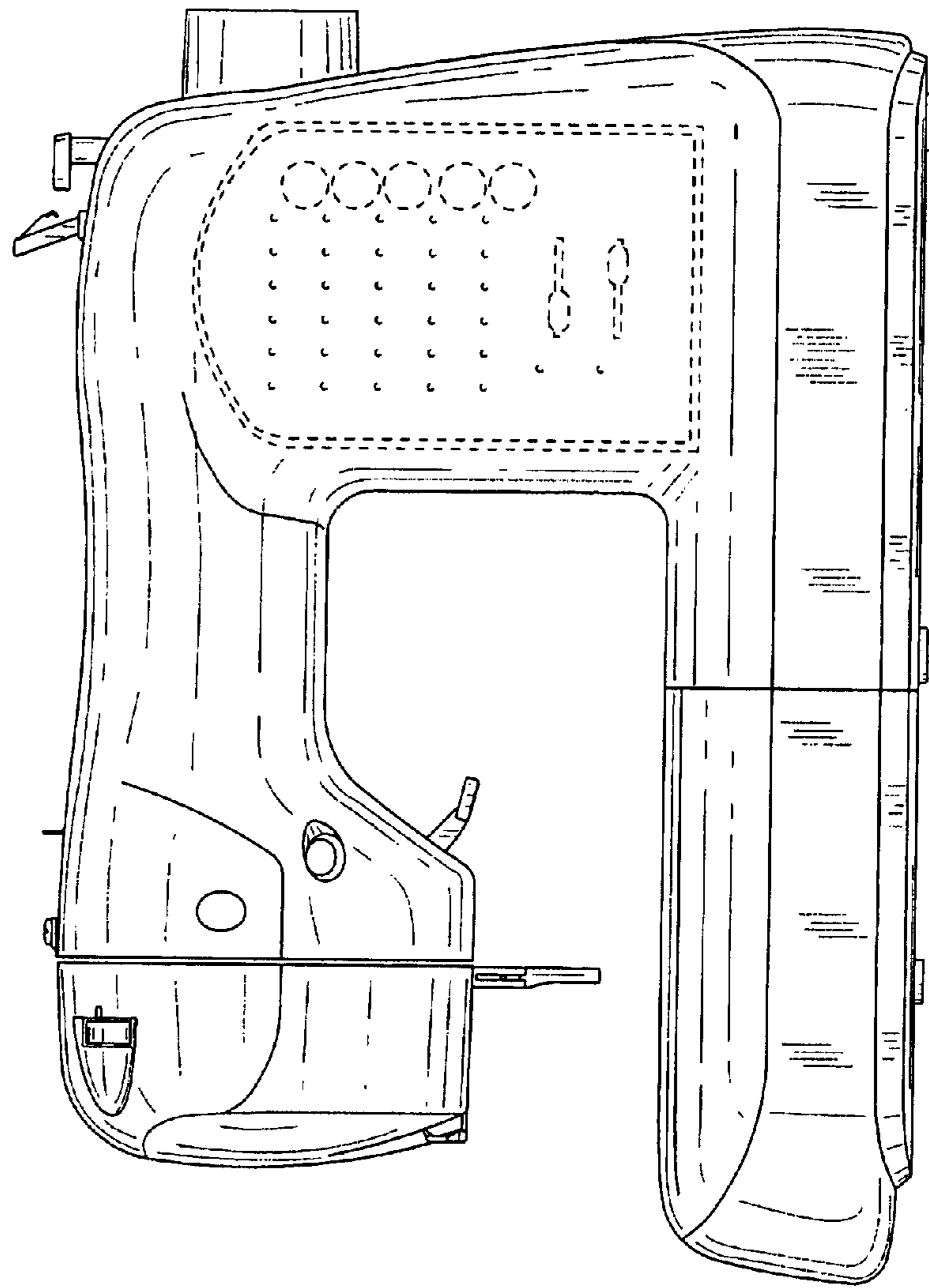
**FIG. 8**



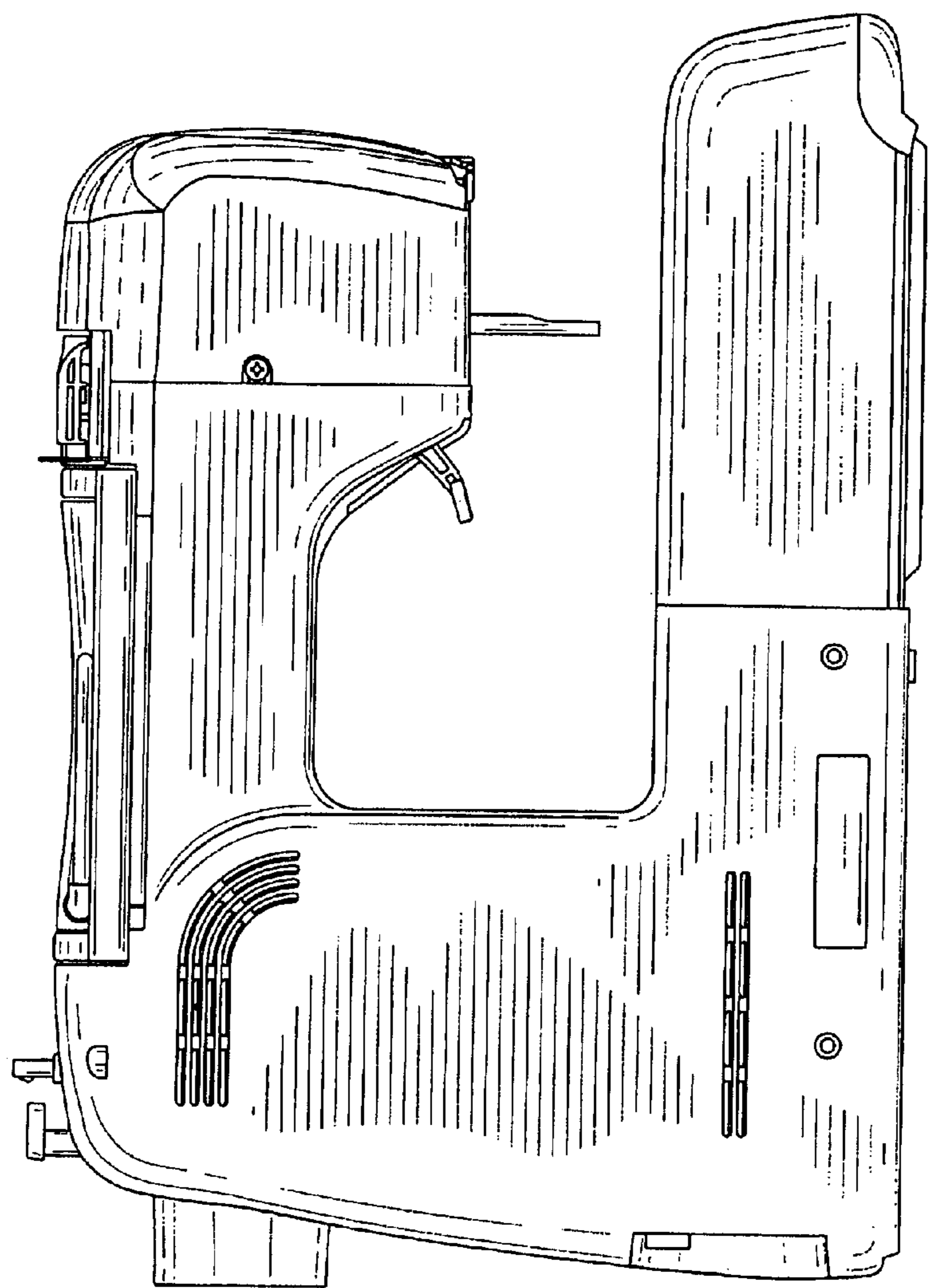
**FIG. 9**



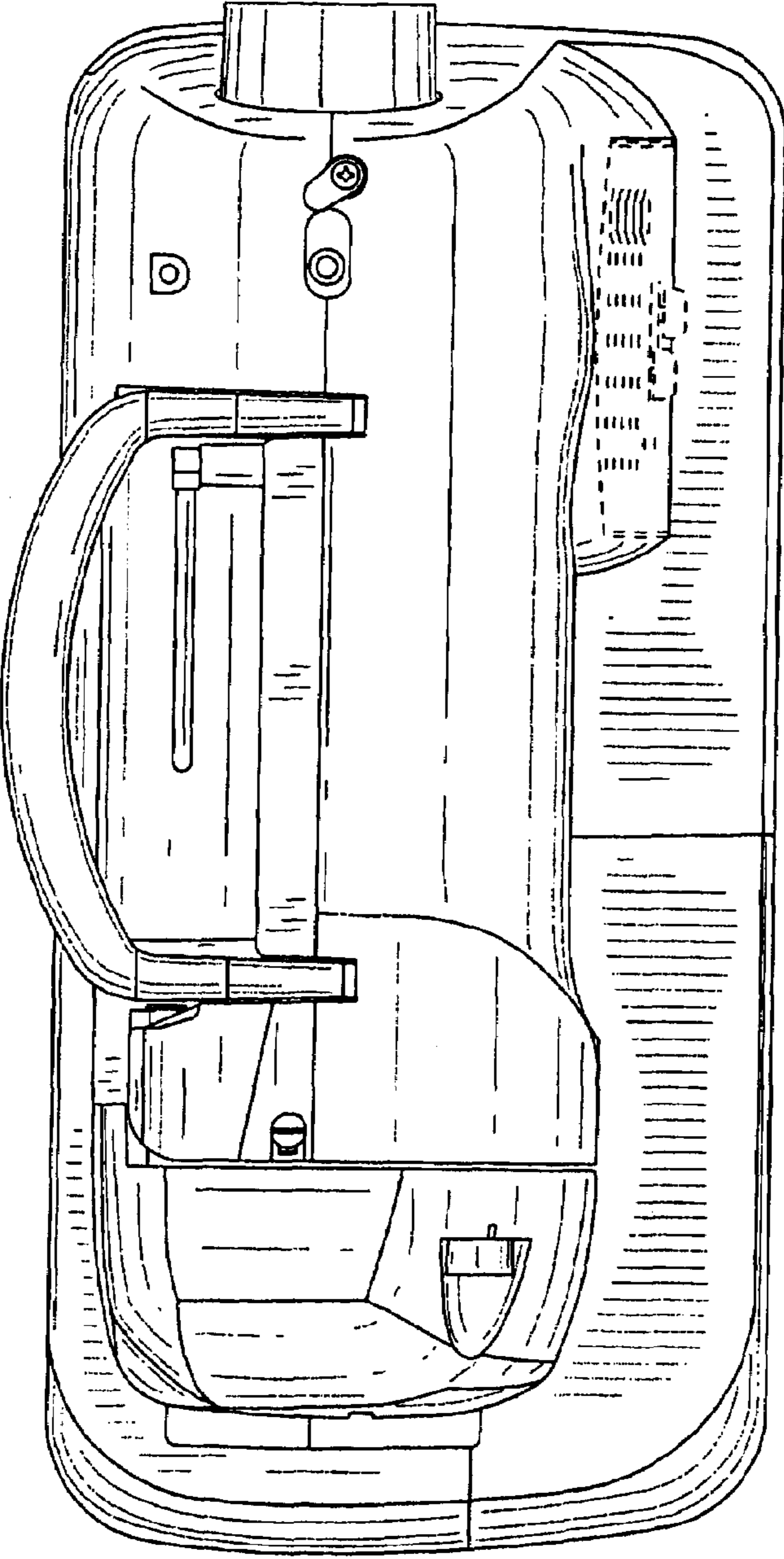
**FIG. 10**



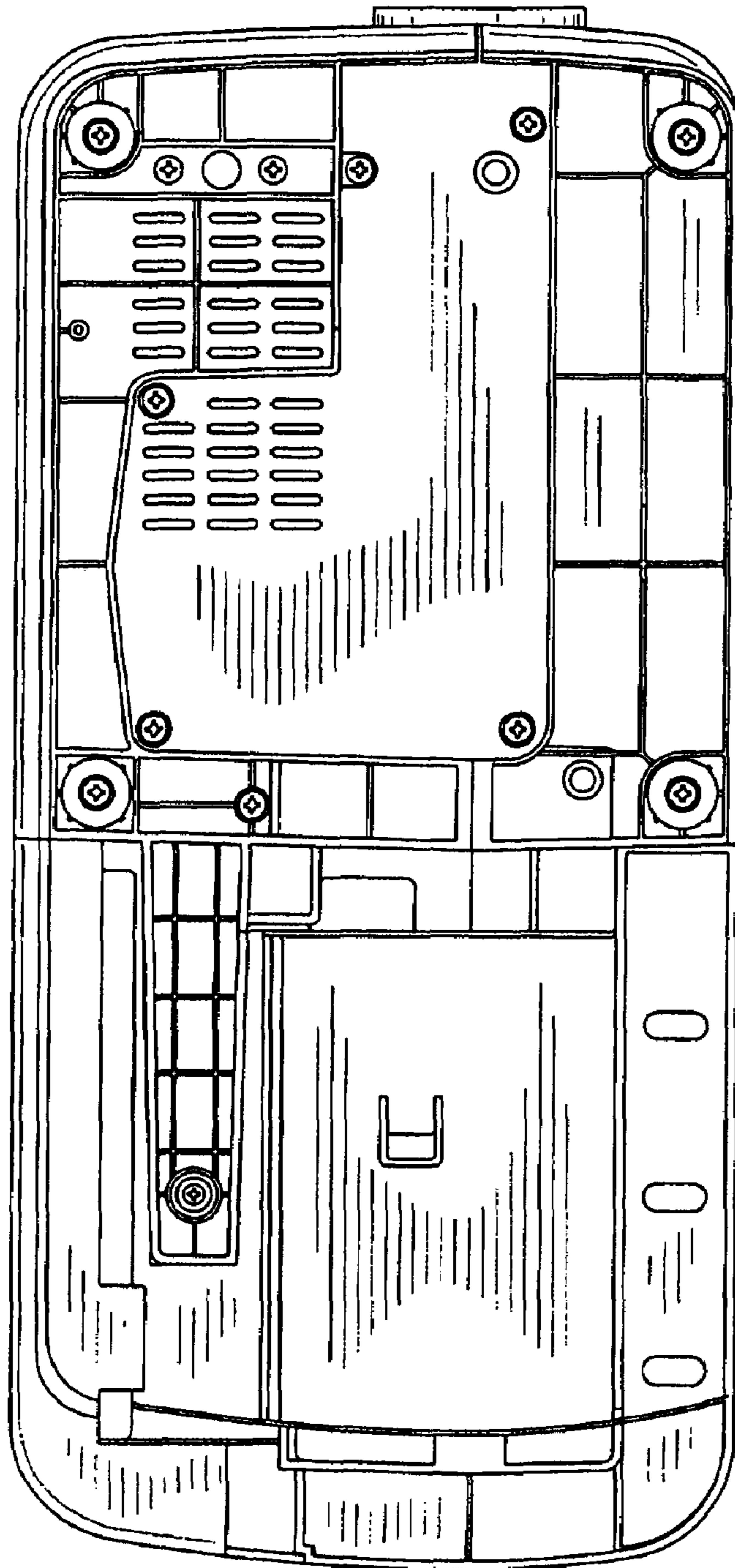
**FIG. 11**



**FIG. 12**



**FIG. 13**



**FIG. 14**