



US00D585461S

(12) **United States Design Patent**
Kovach et al.

(10) **Patent No.:** **US D585,461 S**
(45) **Date of Patent:** **** Jan. 27, 2009**

(54) **AGRICULTURAL TILLAGE PIVOTING GAUGE WHEEL**

6,052,644 A * 4/2000 Murakami et al. 701/93
6,880,644 B2 * 4/2005 Weast et al. 172/196
7,156,186 B2 * 1/2007 Knobloch et al. 172/701

(75) Inventors: **Michael George Kovach**, Morton, IL (US); **Greg Scott Smart**, Bettendorf, IA (US)

* cited by examiner

Primary Examiner—Antoine D Davis

(74) *Attorney, Agent, or Firm*—Rebecca Henkel

(73) Assignee: **CNH America, LLC**, Racine, WI (US)

(57) **CLAIM**

(**) Term: **14 Years**

We claim the ornamental design for the agricultural tillage pivoting gauge wheel, as shown and described.

(21) Appl. No.: **29/317,834**

(22) Filed: **May 8, 2008**

DESCRIPTION

(51) **LOC (9) Cl.** **15-03**

FIG. 1 is an upper right, perspective view of the agricultural tillage pivoting gauge wheel;

(52) **U.S. Cl.** **D15/11; D15/27**

FIG. 2 is a right view of the agricultural tillage pivoting gauge wheel;

(58) **Field of Classification Search** D15/11,

D15/27–28; 111/73, 123, 195; 172/701,

172/149, 551, 552, 540, 518, 553, 150, 151

See application file for complete search history.

FIG. 3 is a left view of the agricultural tillage pivoting gauge wheel;

FIG. 4 is a front view of the agricultural tillage pivoting gauge wheel;

(56) **References Cited**

U.S. PATENT DOCUMENTS

2,694,356	A *	11/1954	Haas	172/483
3,175,622	A *	3/1965	Stam	172/159
4,579,071	A *	4/1986	Johnson	111/195
4,723,495	A *	2/1988	Dietrich et al.	111/123
4,831,945	A *	5/1989	Neumeyer	111/73
5,080,178	A *	1/1992	Dietrich, Sr.	172/153
5,333,694	A *	8/1994	Roggenbuck et al.	172/156
5,431,232	A *	7/1995	Kirsch	172/438
5,562,055	A *	10/1996	Petersen	111/195
5,623,997	A *	4/1997	Rawson et al.	172/156
5,782,307	A *	7/1998	Forsyth	172/156

FIG. 5 is a rear view of agricultural tillage pivoting gauge wheel;

FIG. 6 is a top view of agricultural tillage pivoting gauge wheel; and,

FIG. 7 is a bottom view of agricultural tillage pivoting gauge wheel.

The broken line showing of environmental features is included for the purpose of illustrating non-claimed subject matter and forms no part of the claimed design.

1 Claim, 4 Drawing Sheets

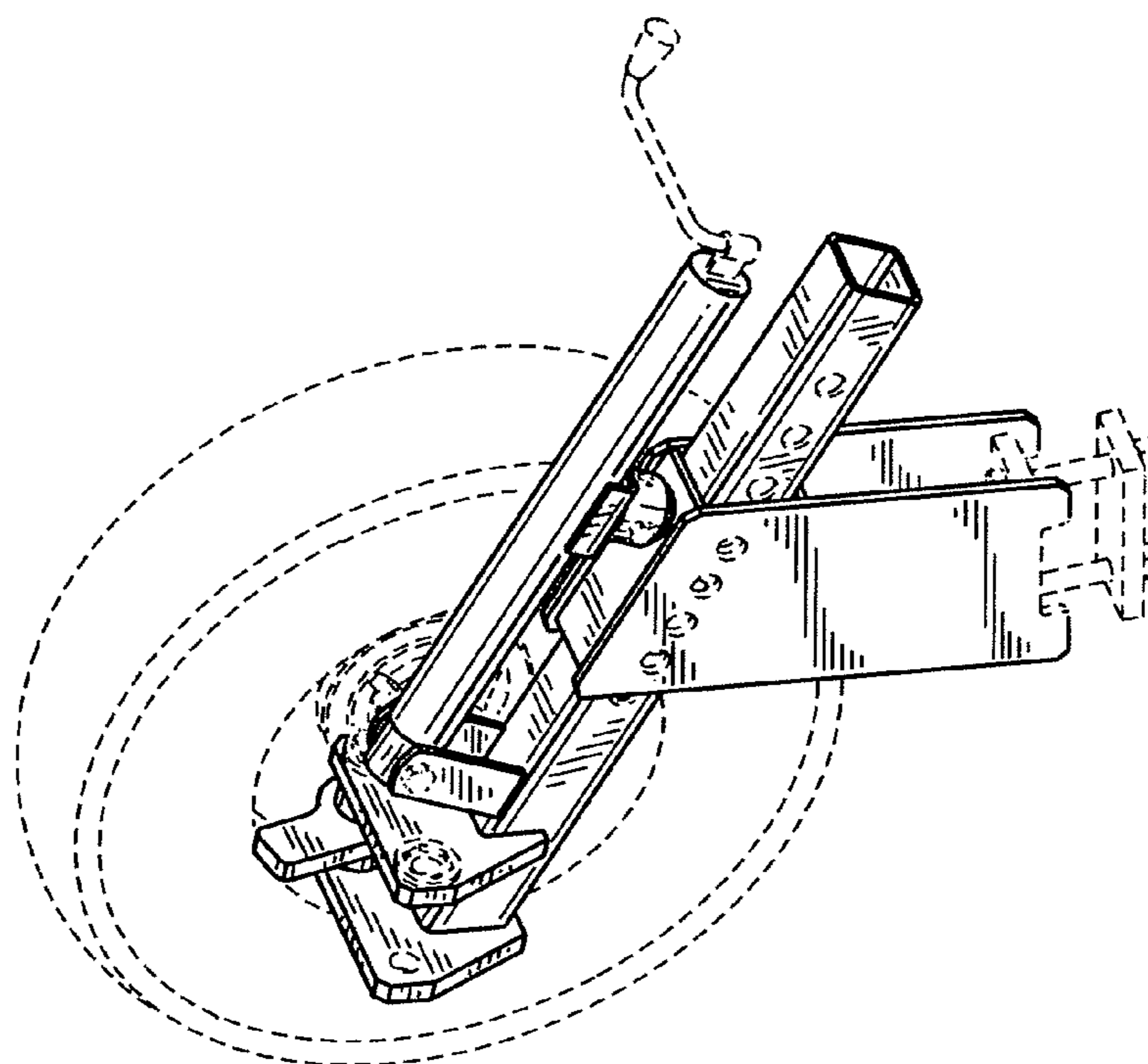


FIG. 1

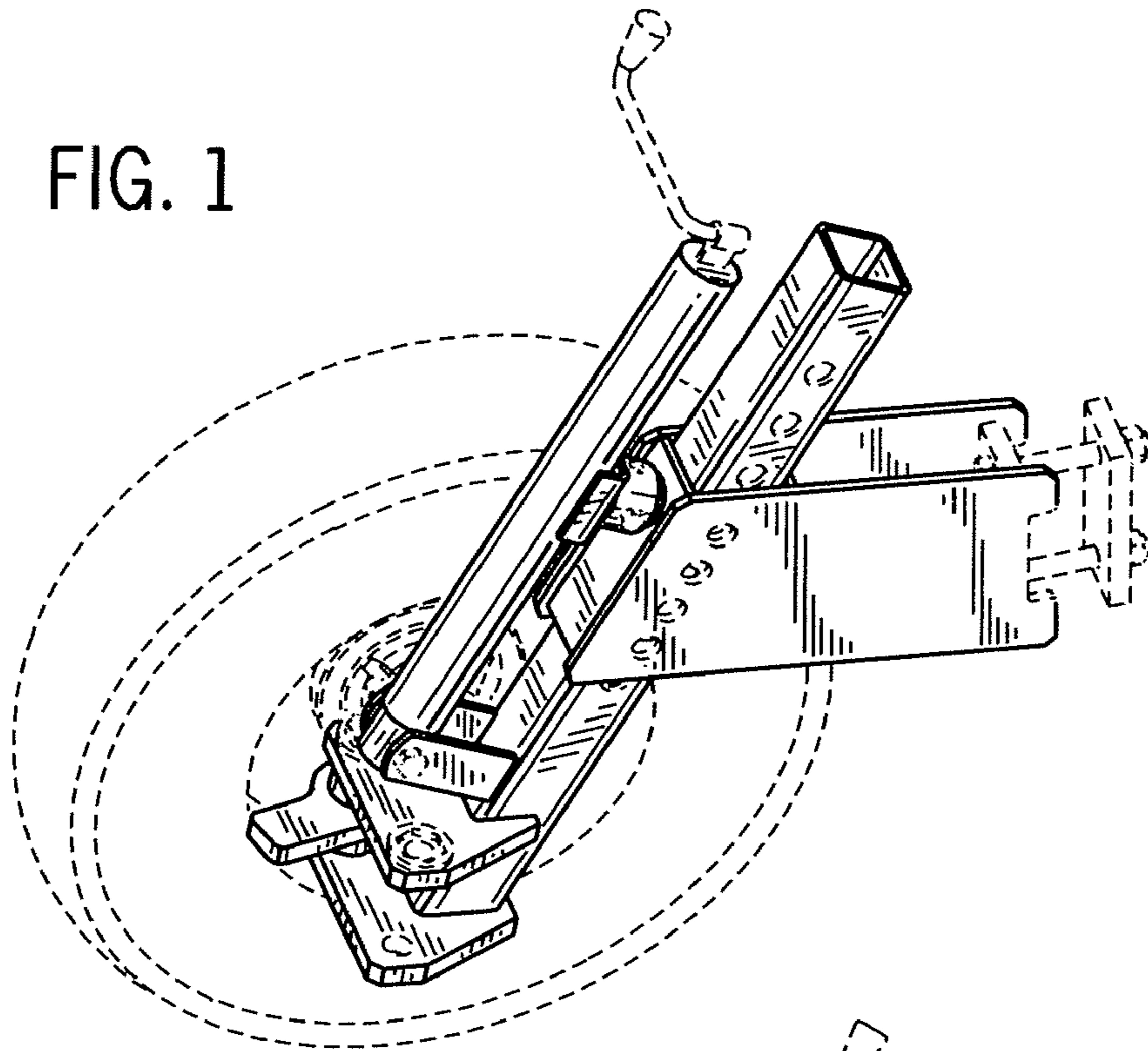


FIG. 2

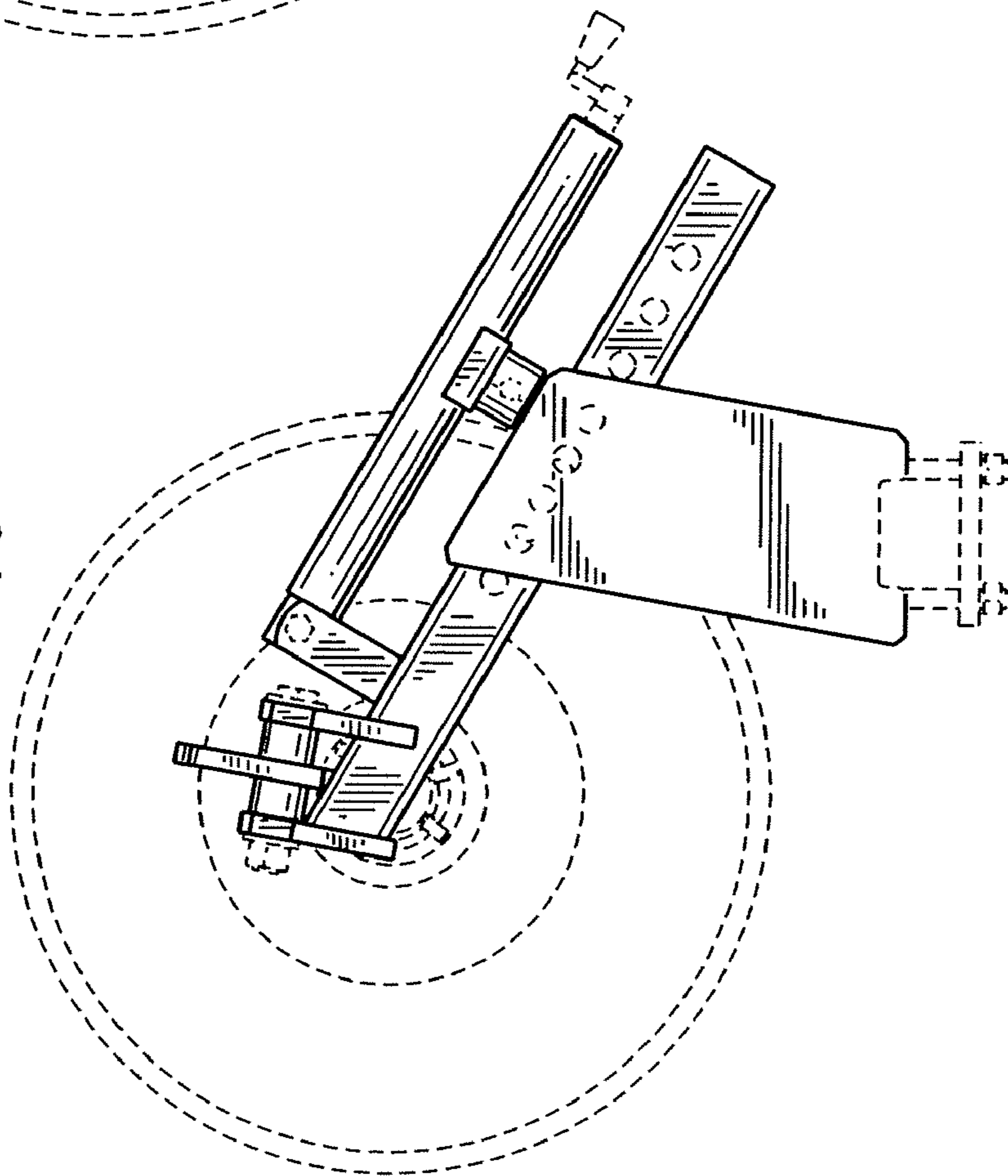
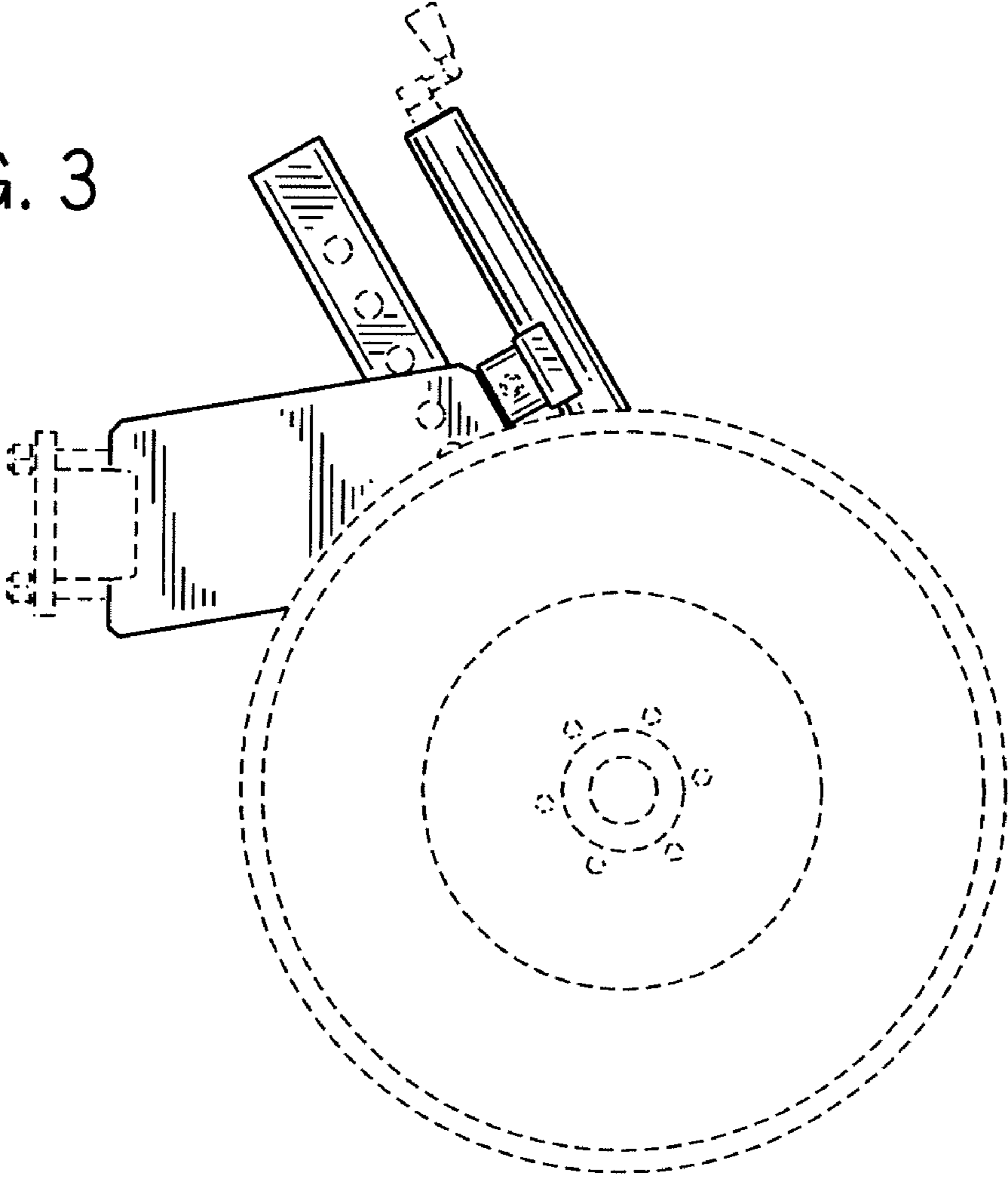


FIG. 3



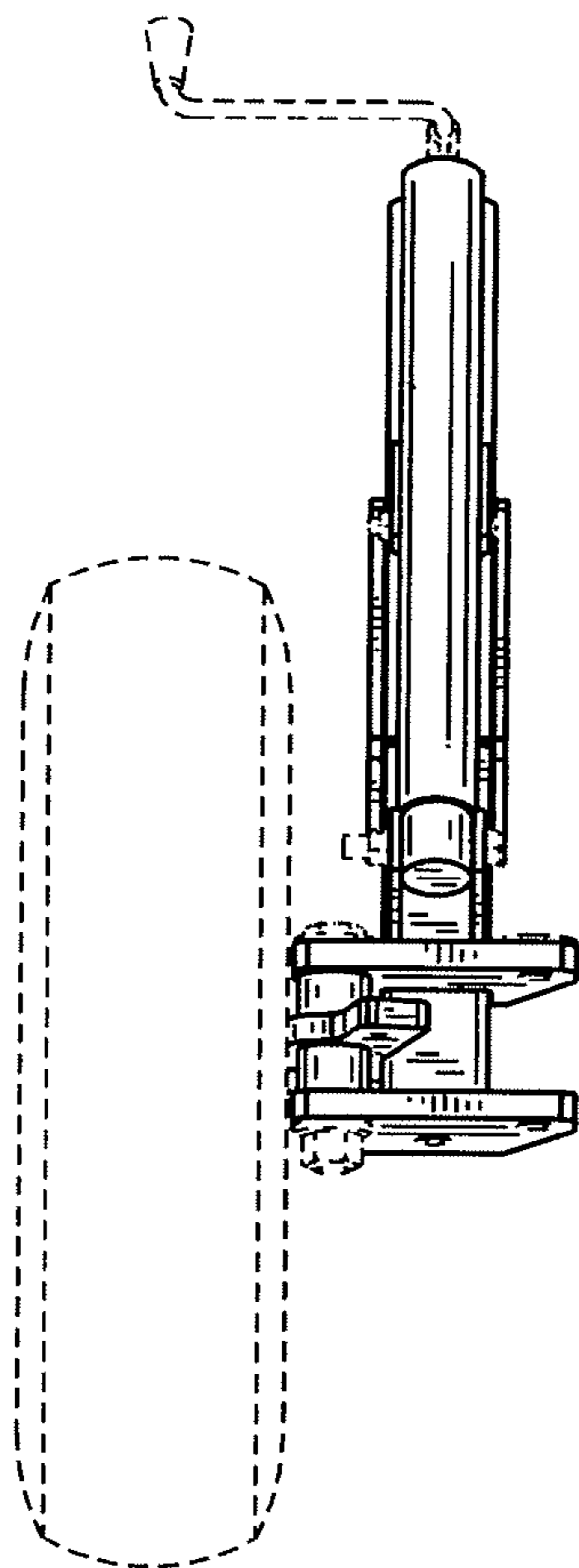


FIG. 4

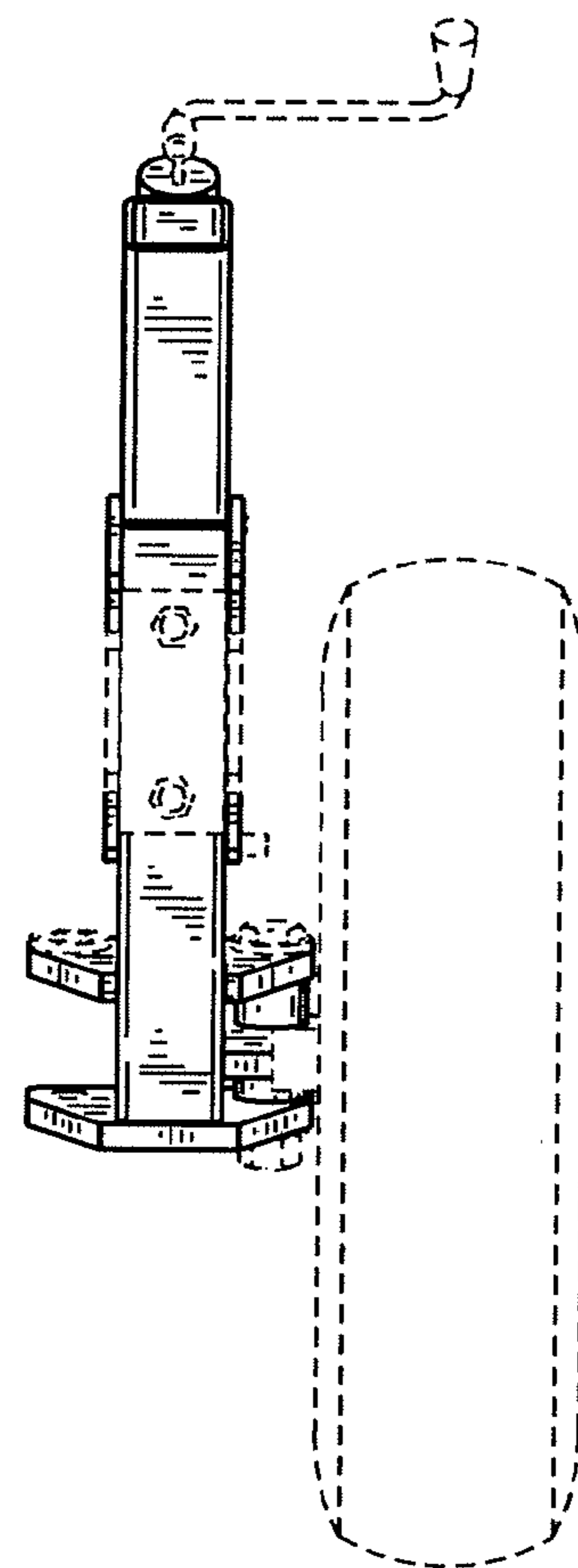


FIG. 5

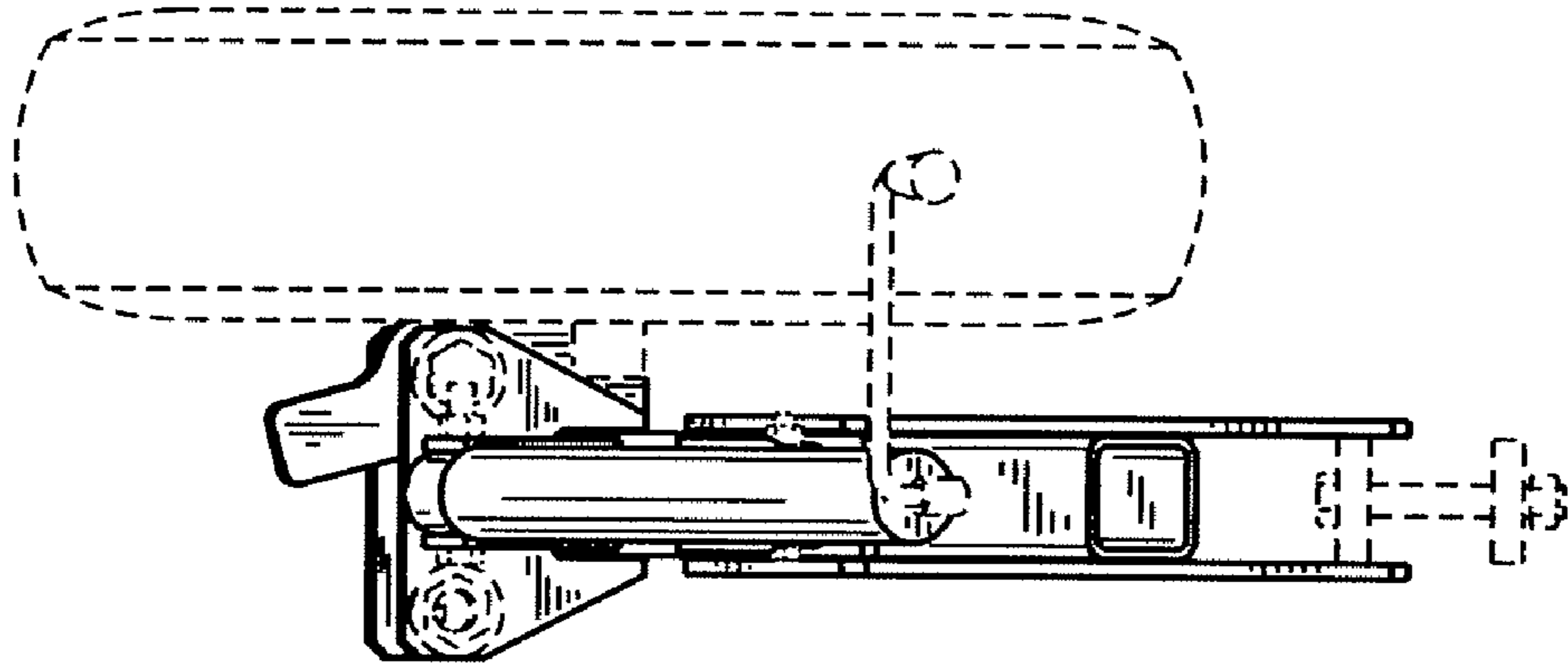


FIG. 6

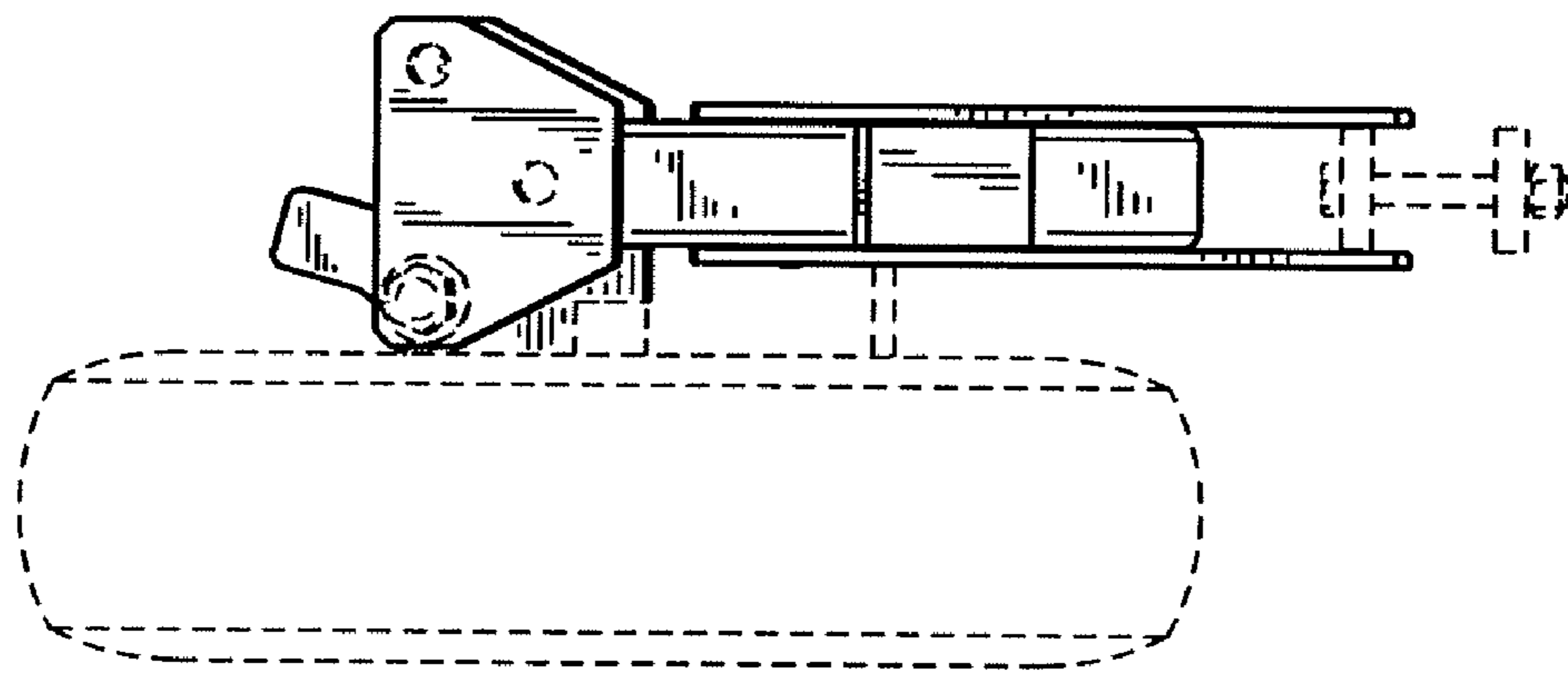


FIG. 7