



US00D585460S

(12) **United States Design Patent**  
**Plunk et al.**

(10) **Patent No.:** **US D585,460 S**  
(45) **Date of Patent:** **\*\* Jan. 27, 2009**

(54) **AIR COMPRESSOR SHROUD**

(75) Inventors: **Tony Plunk**, Jackson, TN (US); **Shaohe Li**, Nashville, TN (US); **Tim Jackson**, Jackson, TN (US)

(73) Assignee: **Midwest Air Technologies Inc.**, Long Grove, IL (US)

(\*\*) Term: **14 Years**

(21) Appl. No.: **29/292,442**

(22) Filed: **Oct. 11, 2007**

(51) **LOC (9) Cl.** ..... **15-02**

(52) **U.S. Cl.** ..... **D15/9**

(58) **Field of Classification Search** ..... D15/7-9;  
D23/231, 232; 417/410.1, 359, 415-416,  
417/234, 321, 265, 405

See application file for complete search history.

(56) **References Cited**

**U.S. PATENT DOCUMENTS**

D384,081 S *	9/1997	Wang	.....	D15/7
D489,733 S *	5/2004	Leasure et al.	.....	D15/9
D499,429 S *	12/2004	Leasure	.....	D15/9
D516,091 S *	2/2006	Leasure et al.	.....	D15/9
D529,047 S	9/2006	Sharp		
D529,048 S	9/2006	Sharp		
D534,549 S	1/2007	Beecham et al.		

D534,550 S	1/2007	Beecham		
D534,926 S	1/2007	Beecham		
D535,309 S	1/2007	Breecham et al.		
D557,710 S	12/2007	Sharp		
D560,046 S *	1/2008	Renner et al.	.....	D32/15

\* cited by examiner

*Primary Examiner*—R. Seifert

(74) *Attorney, Agent, or Firm*—Greer, Burns & Crain, Ltd.

(57) **CLAIM**

The ornamental design for an air compressor shroud, as shown and described.

**DESCRIPTION**

FIG. 1 is a front perspective view of the present air compressor shroud;

FIG. 2 is a front view thereof;

FIG. 3 is a right side view thereof;

FIG. 4 is a left side view thereof;

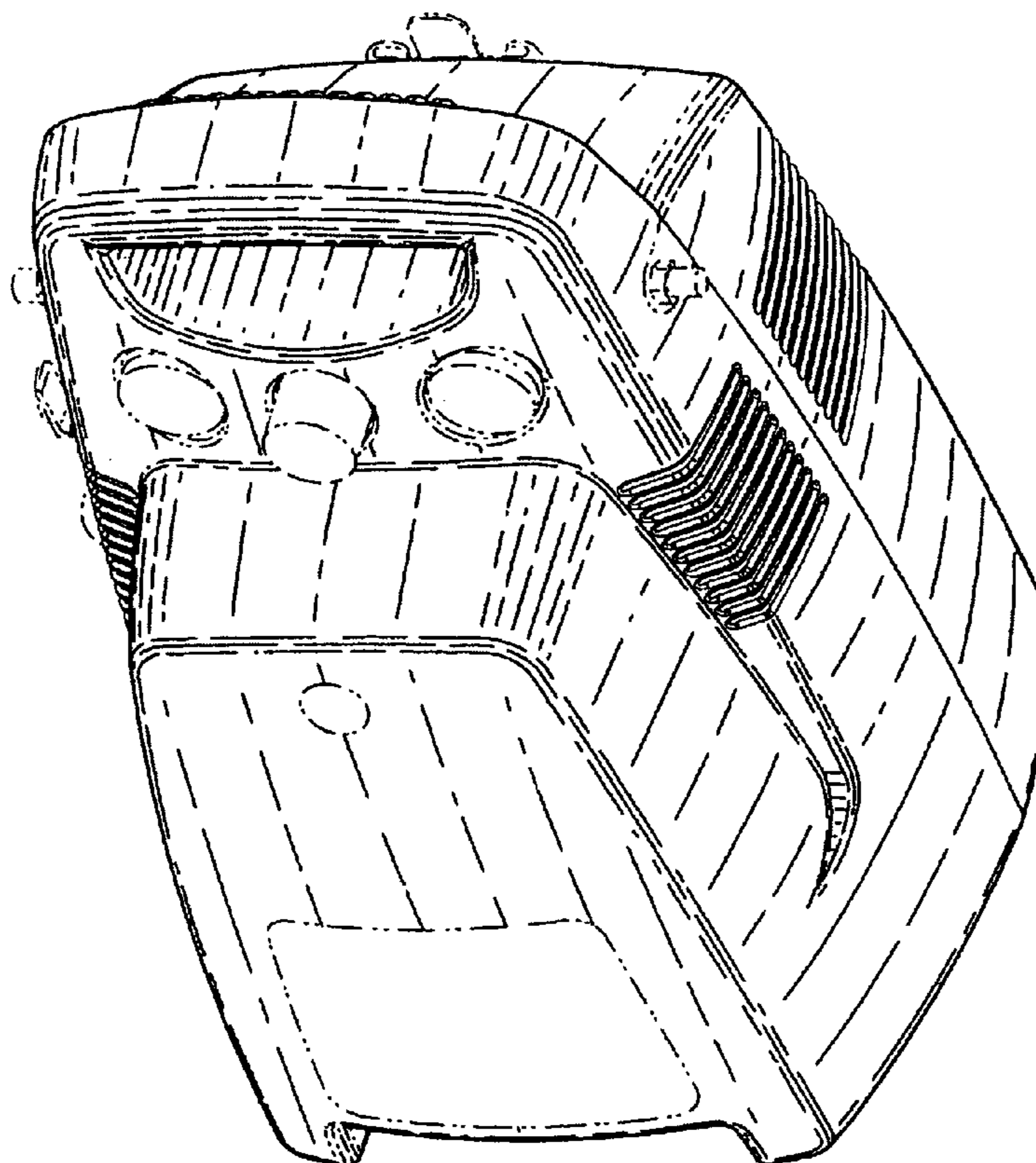
FIG. 5 is a rear view thereof;

FIG. 6 is a bottom view thereof; and,

FIG. 7 is a top view thereof.

The broken line showing of FIGS. 1-7 is for illustrative purposes only and forms no part of the claimed design or a specified embodiment thereof.

**1 Claim, 4 Drawing Sheets**



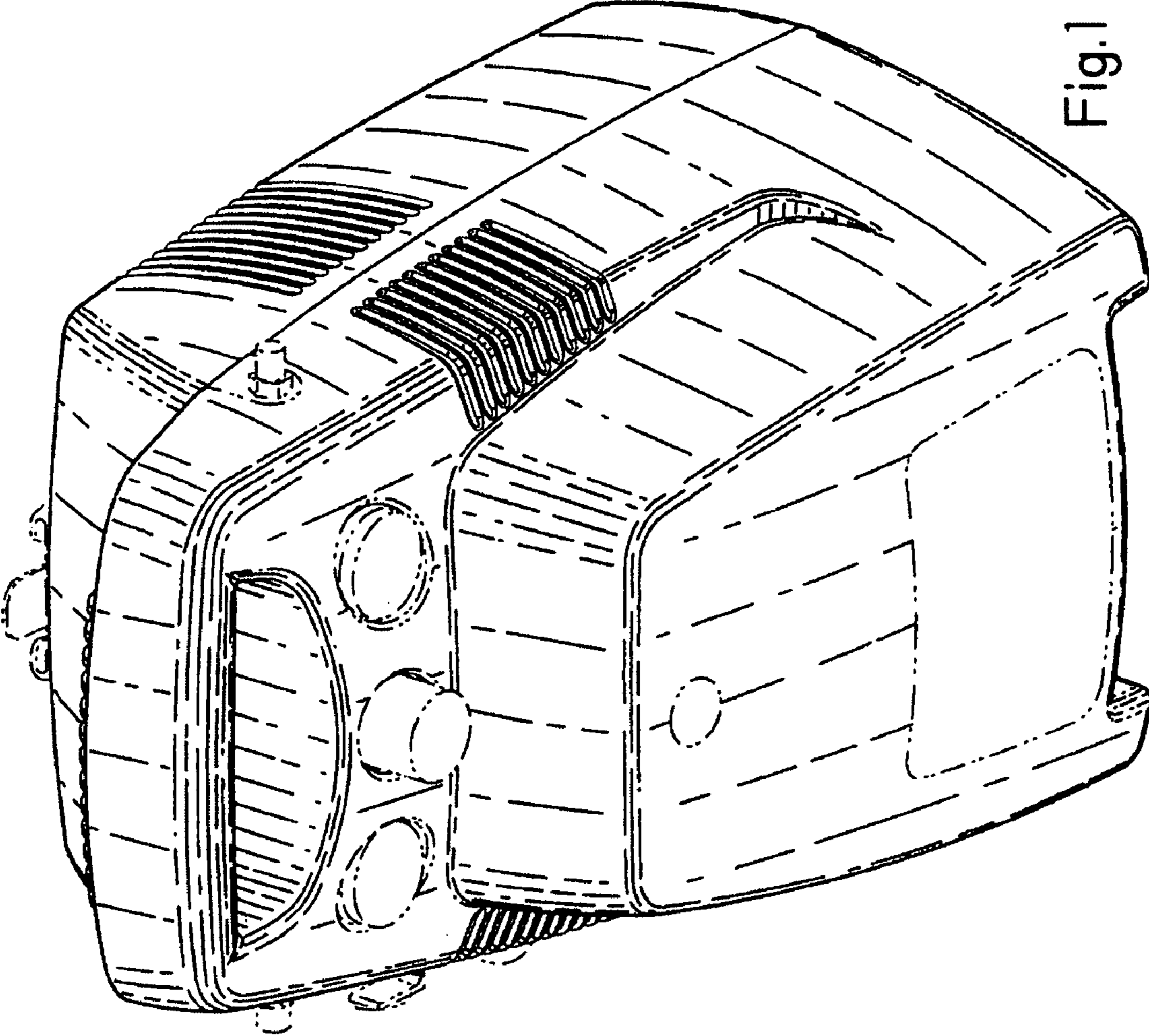


Fig. 1

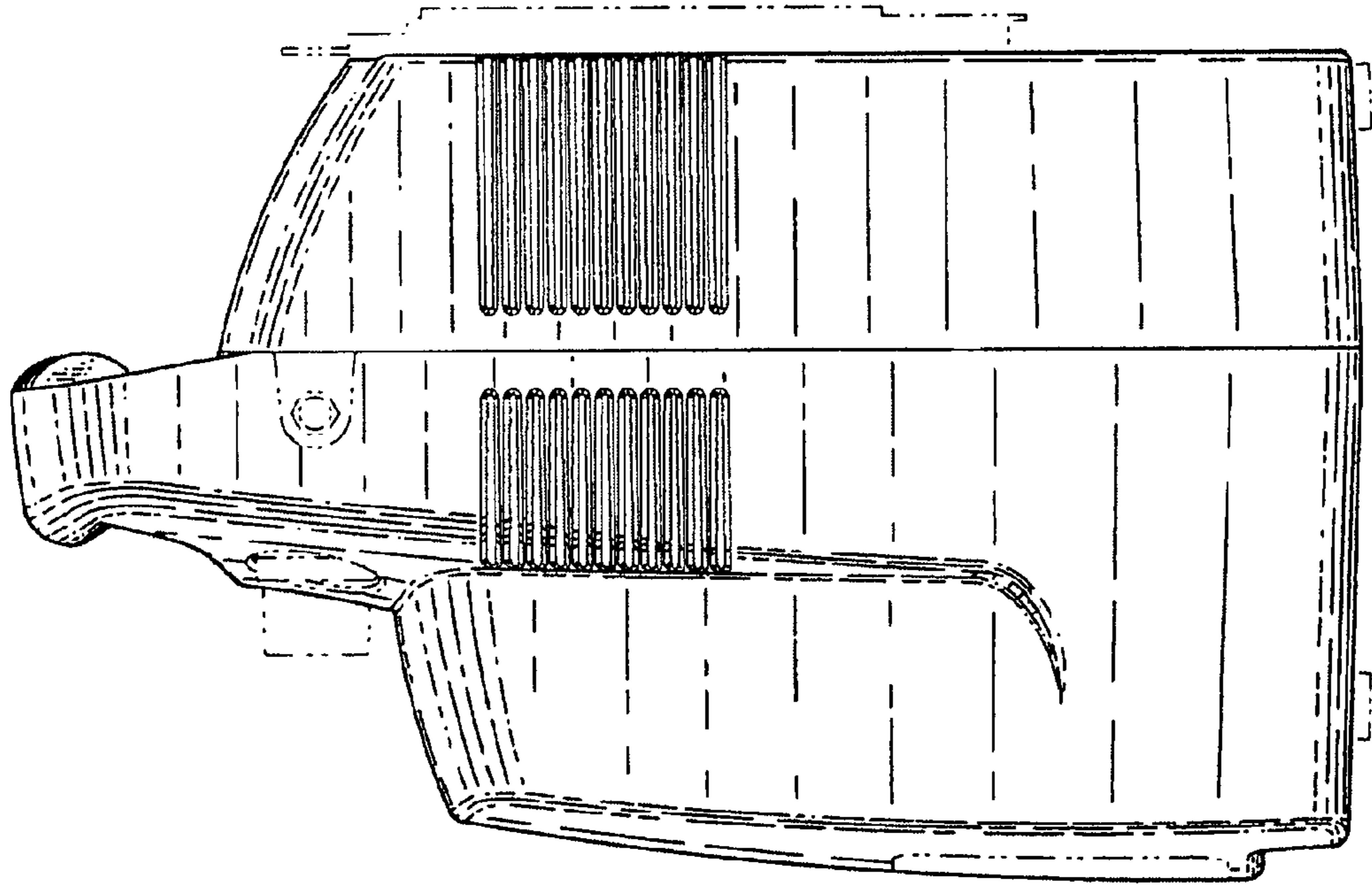


Fig. 3

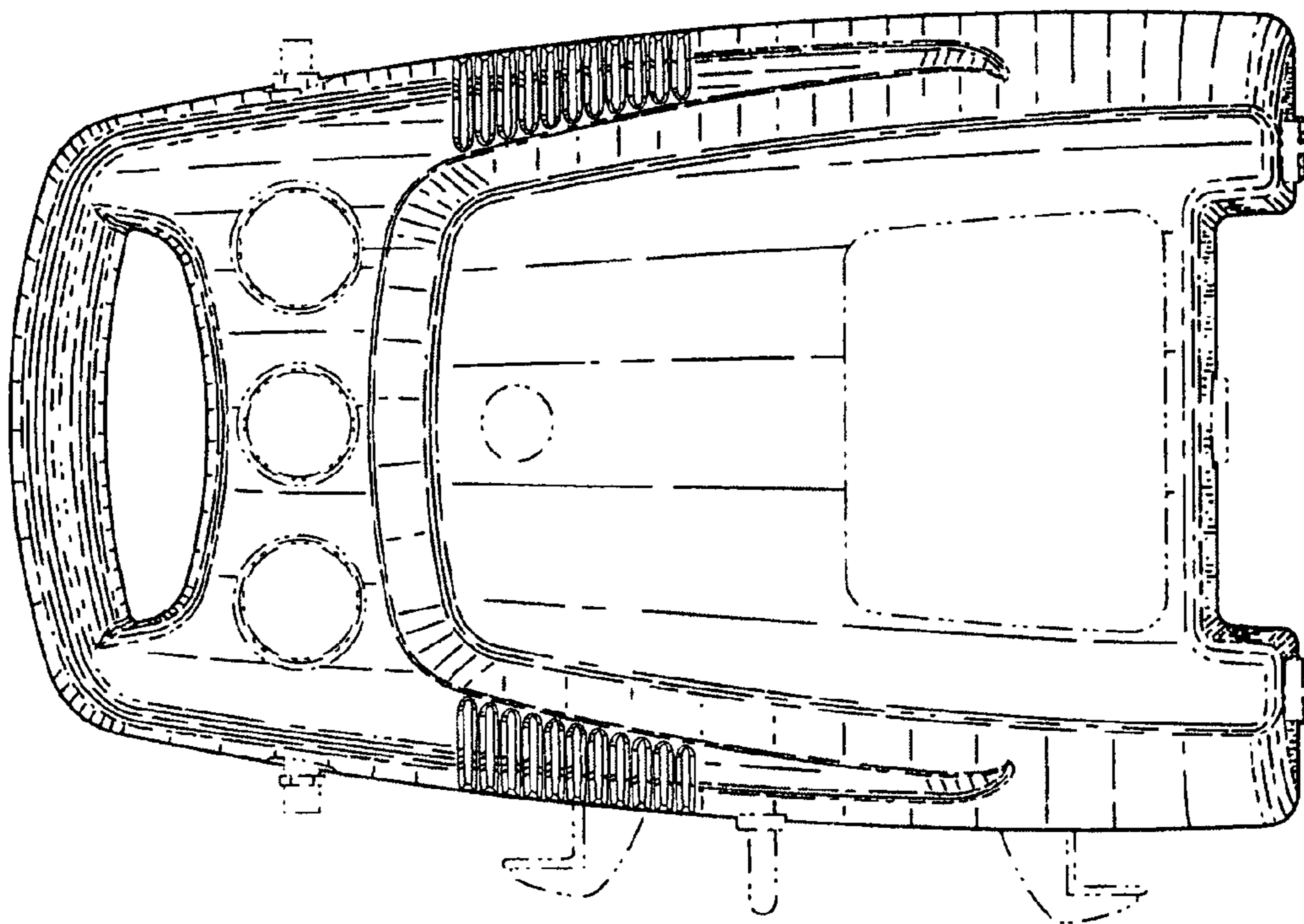


Fig. 2

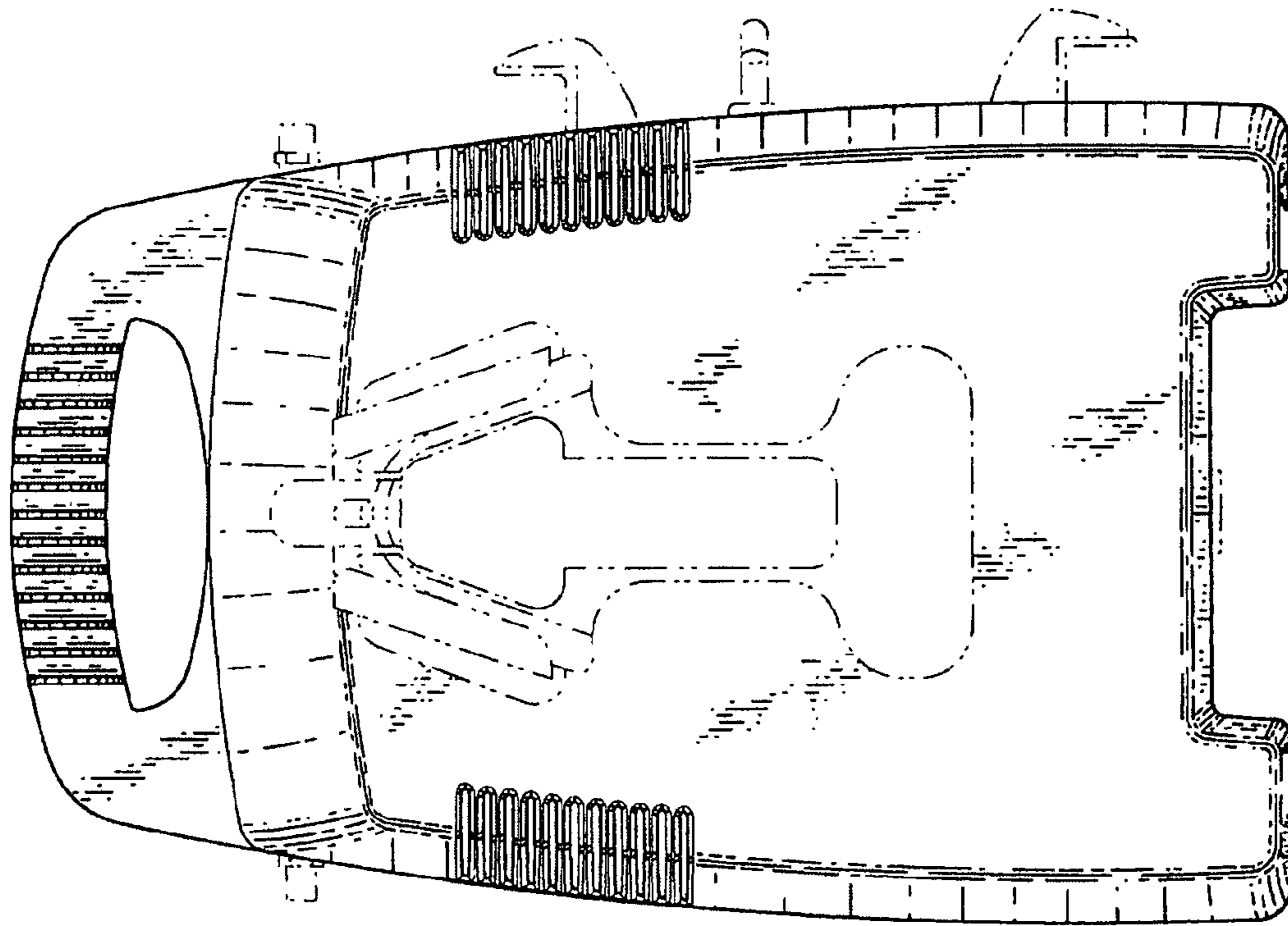


Fig. 5

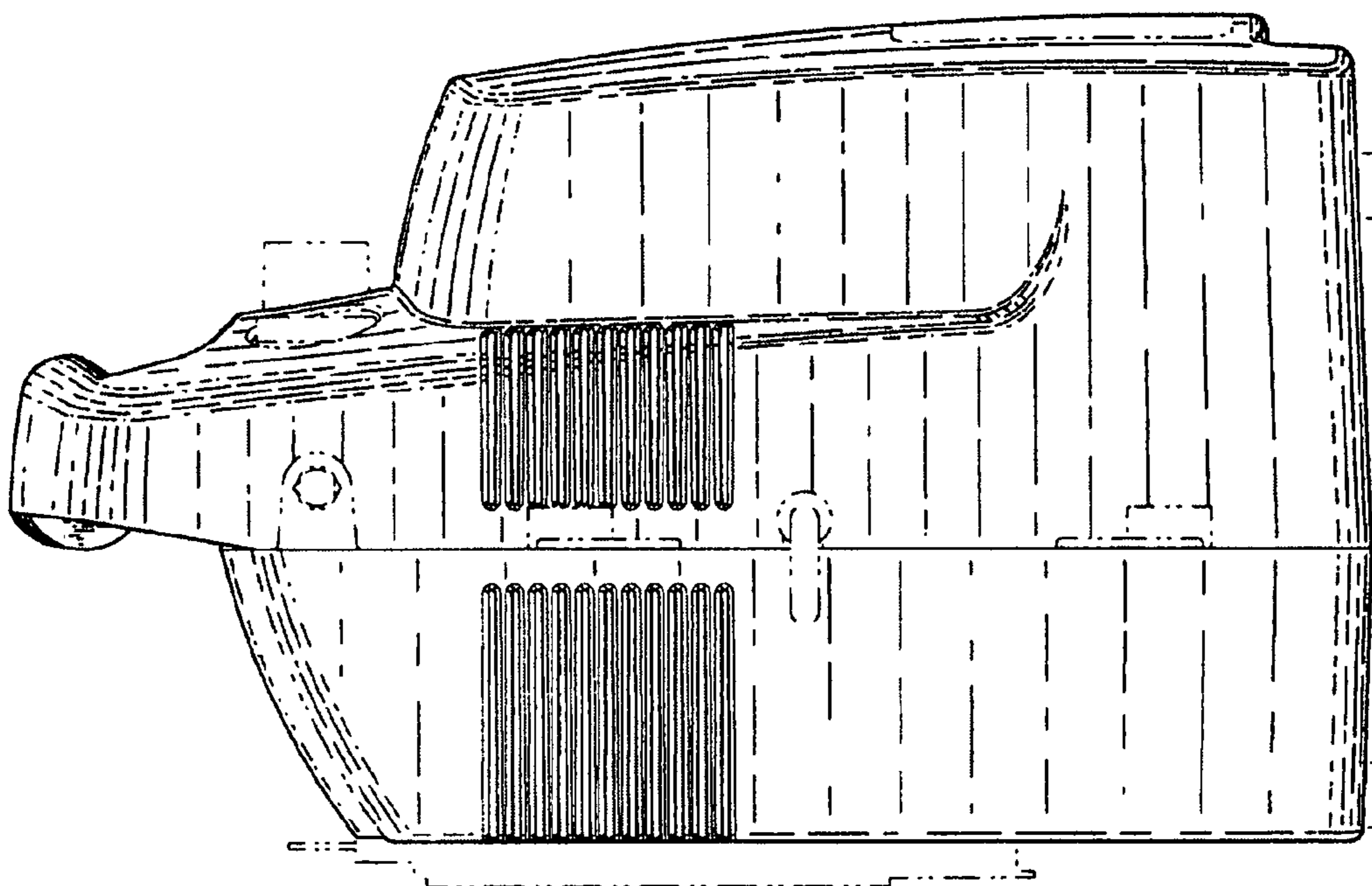


Fig. 4

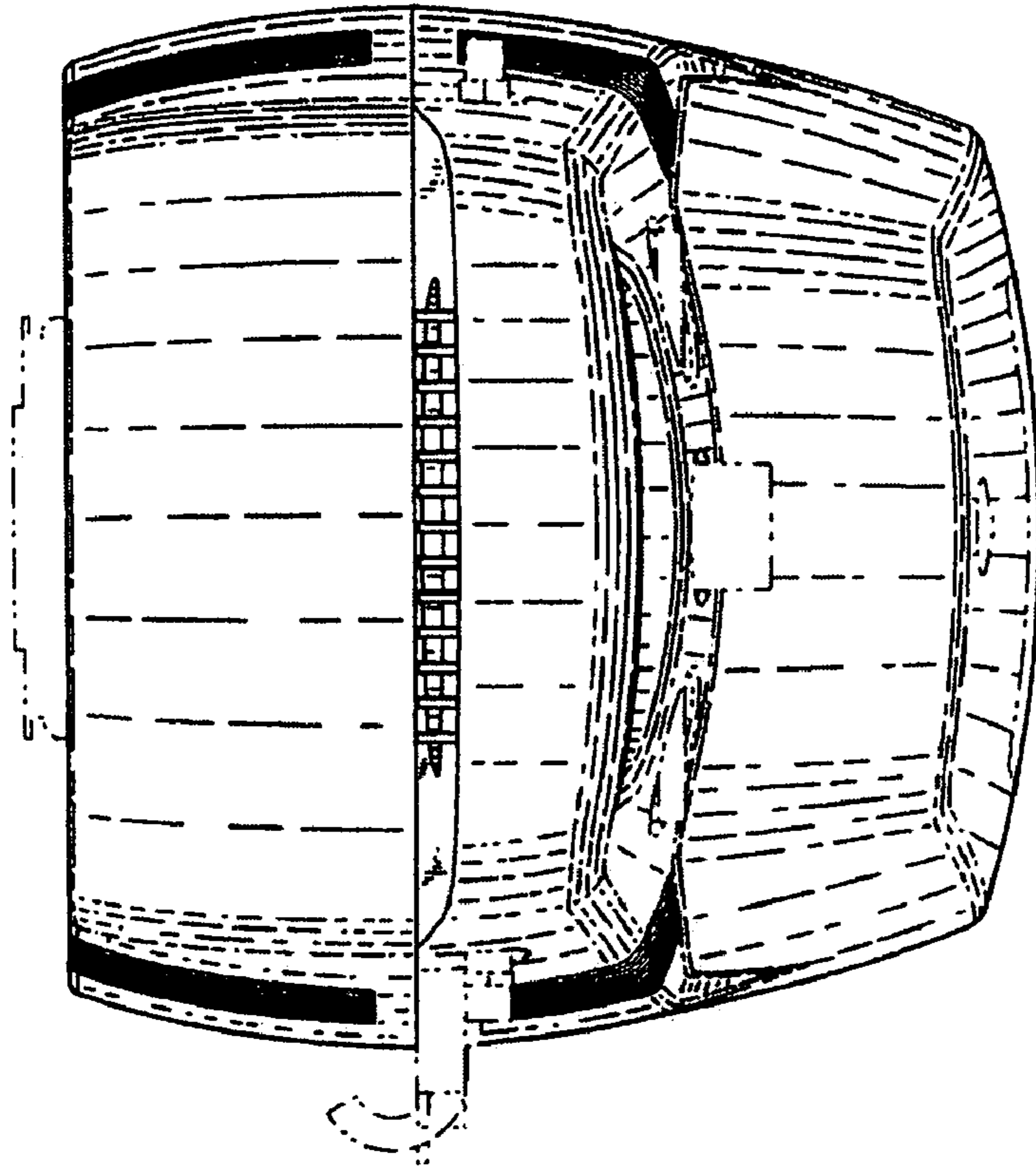


Fig. 6

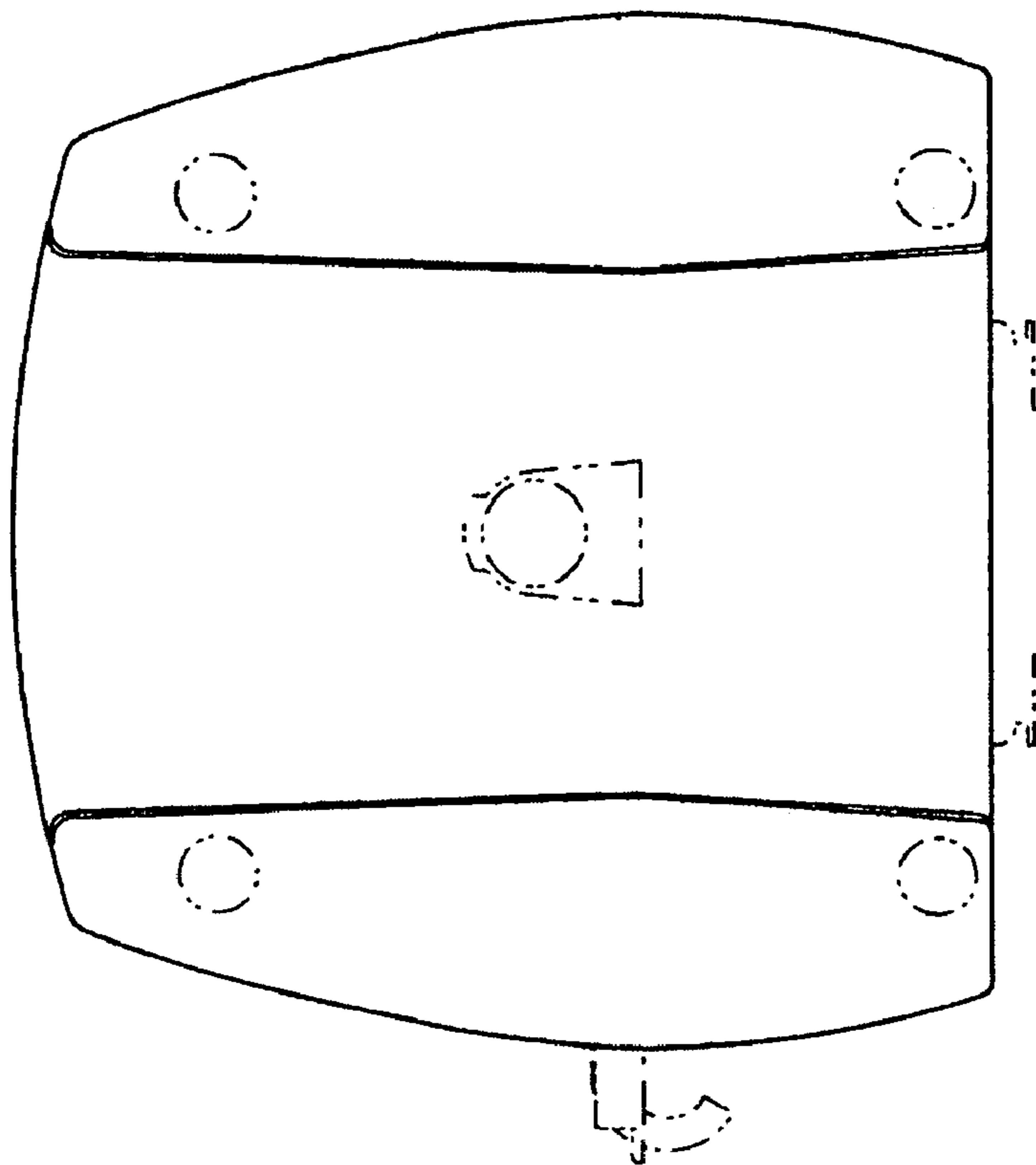


Fig. 7