



US00D585459S

(12) **United States Design Patent**
Jing

(10) **Patent No.:** **US D585,459 S**
(45) **Date of Patent:** **** Jan. 27, 2009**

(54) **ENGINE COVER**

D525,991 S * 8/2006 Walters D15/5
D548,750 S * 8/2007 Neeley et al. D15/5
D553,645 S * 10/2007 Drew et al. D15/5

(75) Inventor: **Huayang Jing**, Chongqing (CN)

(73) Assignee: **Loncin Industry Co., Ltd.**, Chongqing (CN)

(**) Term: **14 Years**

* cited by examiner

Primary Examiner—Ian Simmons

Assistant Examiner—Wan Laymon

(74) *Attorney, Agent, or Firm*—Nixon Peabody LLP

(21) Appl. No.: **29/292,764**

(57) **CLAIM**

(22) Filed: **Oct. 26, 2007**

The ornamental design for an engine cover, as shown and described.

(51) **LOC (9) Cl.** **15-01**

(52) **U.S. Cl.** **D15/5**

(58) **Field of Classification Search** D15/1-5,
D15/15, 17, 31; D12/164, 166; 123/50 A,
123/198 E, 306, 308

See application file for complete search history.

DESCRIPTION

FIG. 1 is a front view of an engine cover.

FIG. 2 is a back view of the engine cover.

FIG. 3 is a left side view of the engine cover.

FIG. 4 is a right side view of the engine cover.

FIG. 5 is a top view of the engine cover.

FIG. 6 is a top and right perspective view of the engine cover; and,

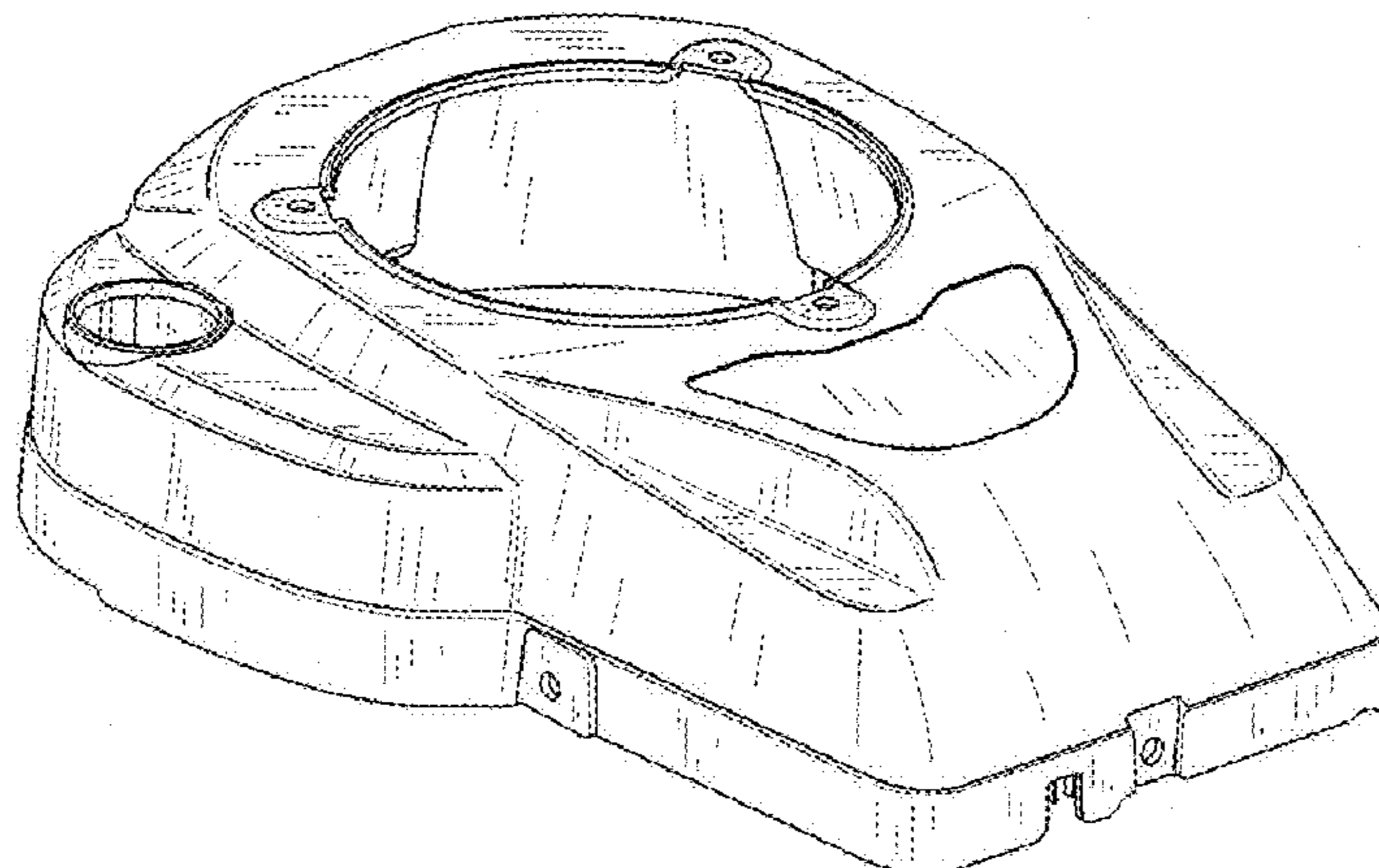
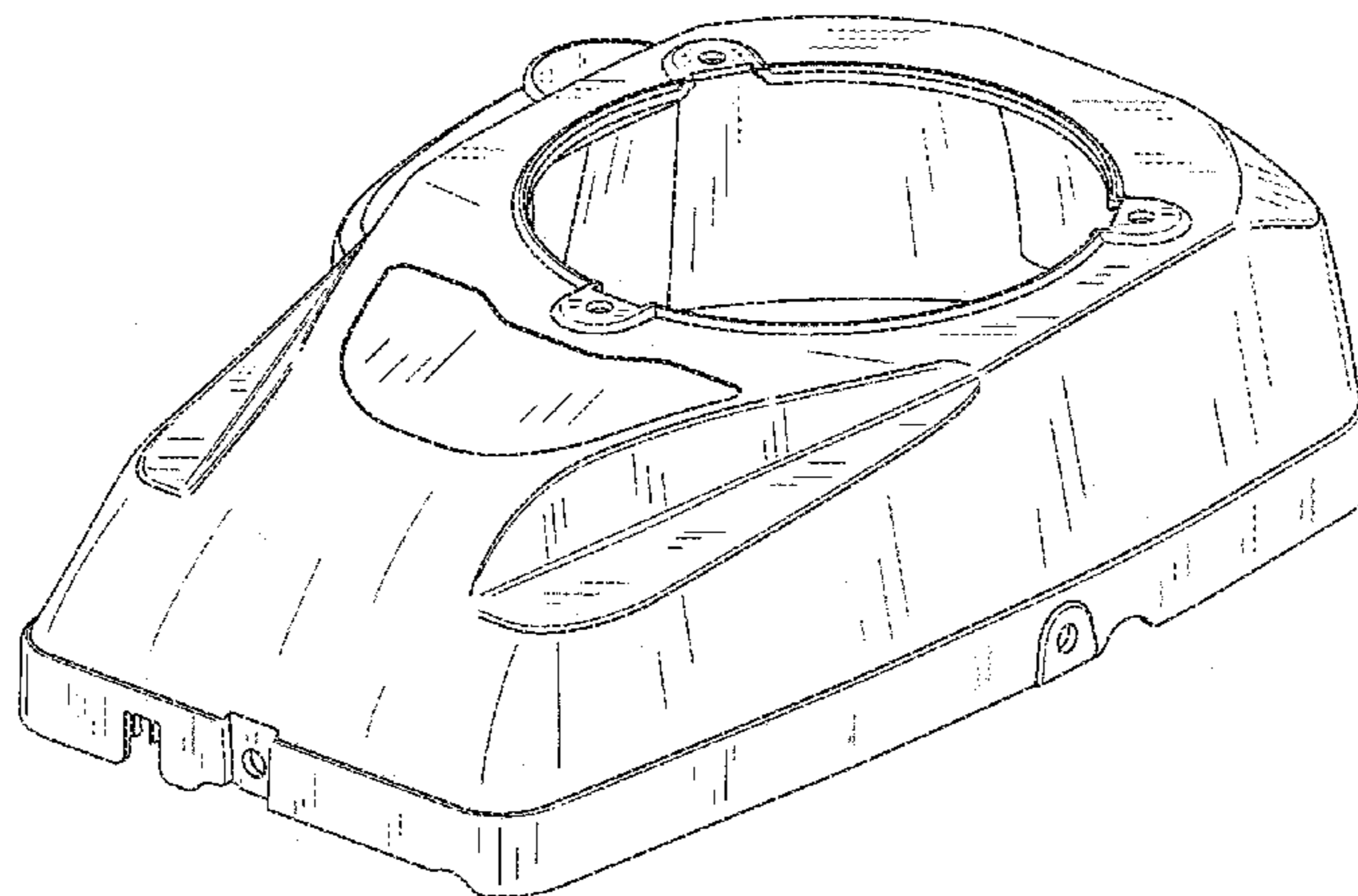
FIG. 7 is a top and left perspective view of the engine cover.

(56) **References Cited**

U.S. PATENT DOCUMENTS

D352,043 S * 11/1994 Davies, III D15/17
D466,905 S * 12/2002 Neeley et al. D15/1
D468,751 S * 1/2003 Neeley et al. D15/1
D484,889 S * 1/2004 Neeley et al. D15/1
D513,754 S * 1/2006 Strandell et al. D15/5

1 Claim, 7 Drawing Sheets



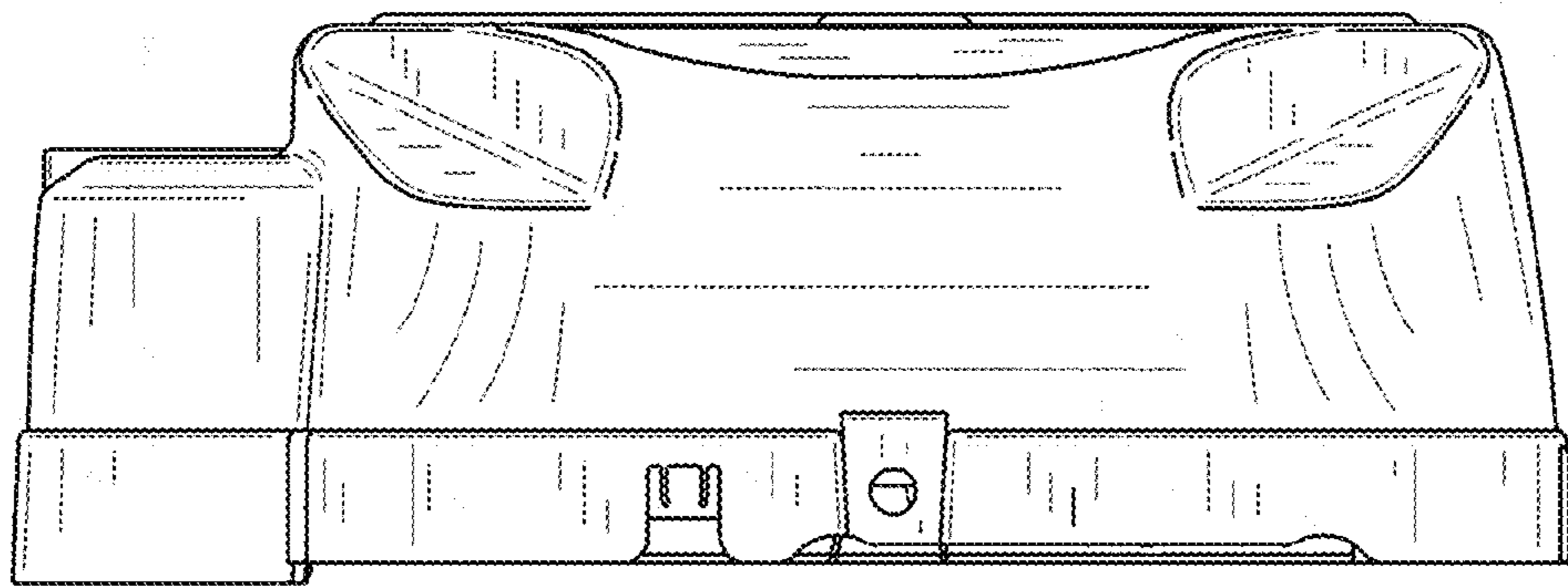


Figure 1

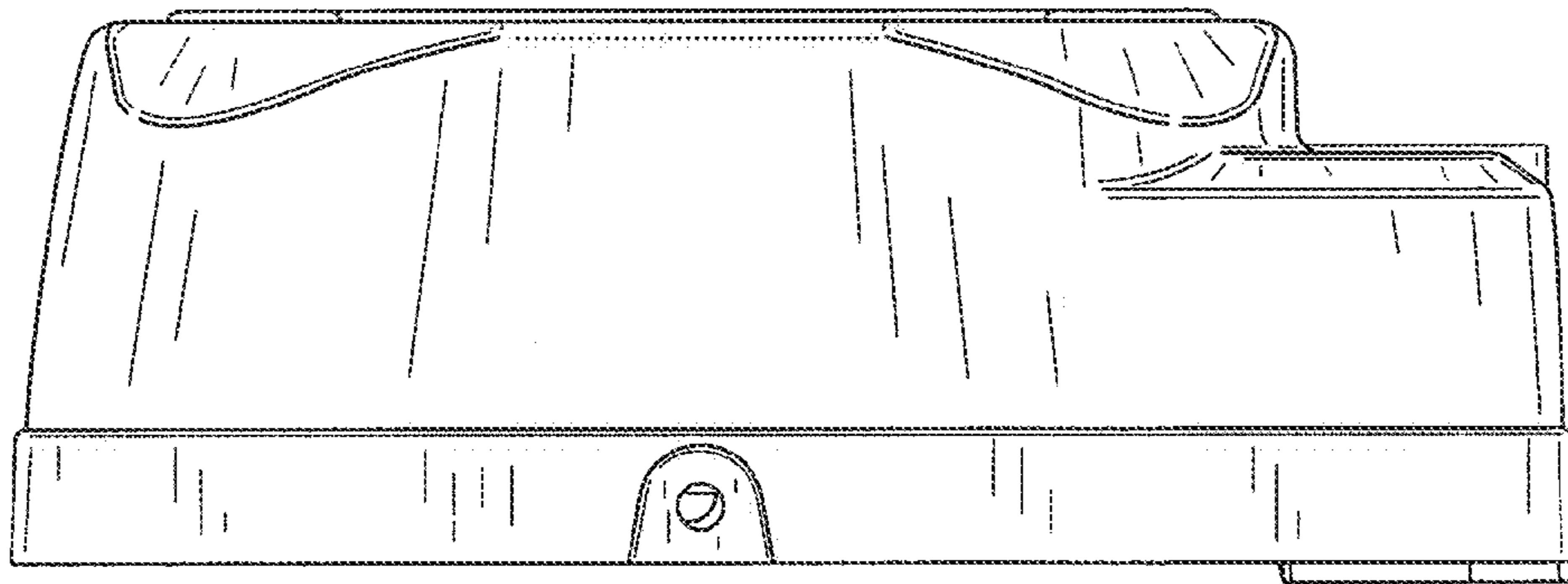


Figure 2

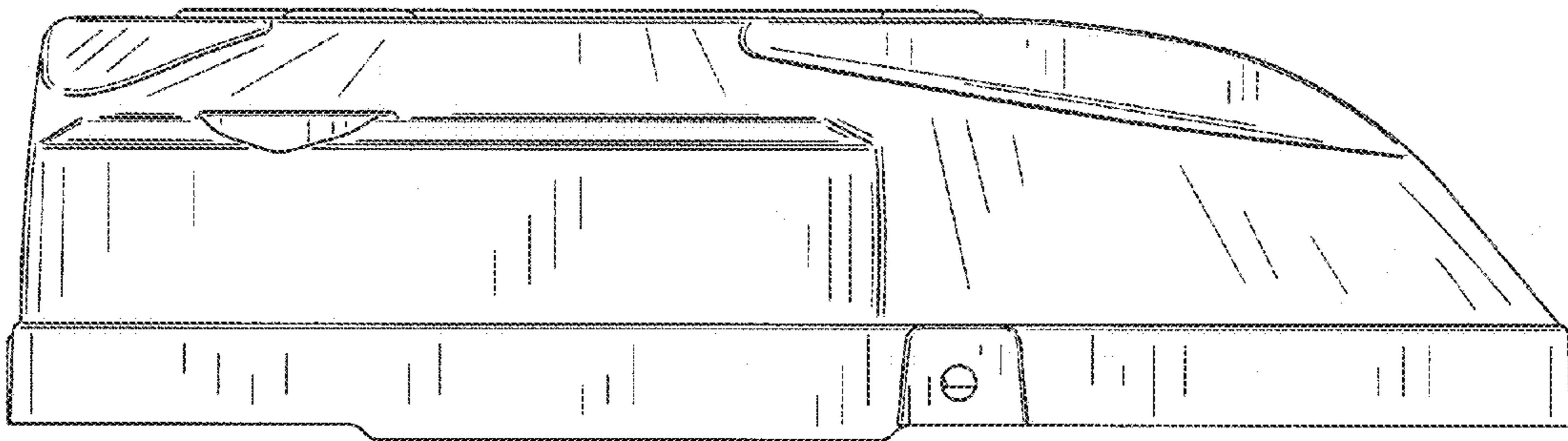


Figure 3

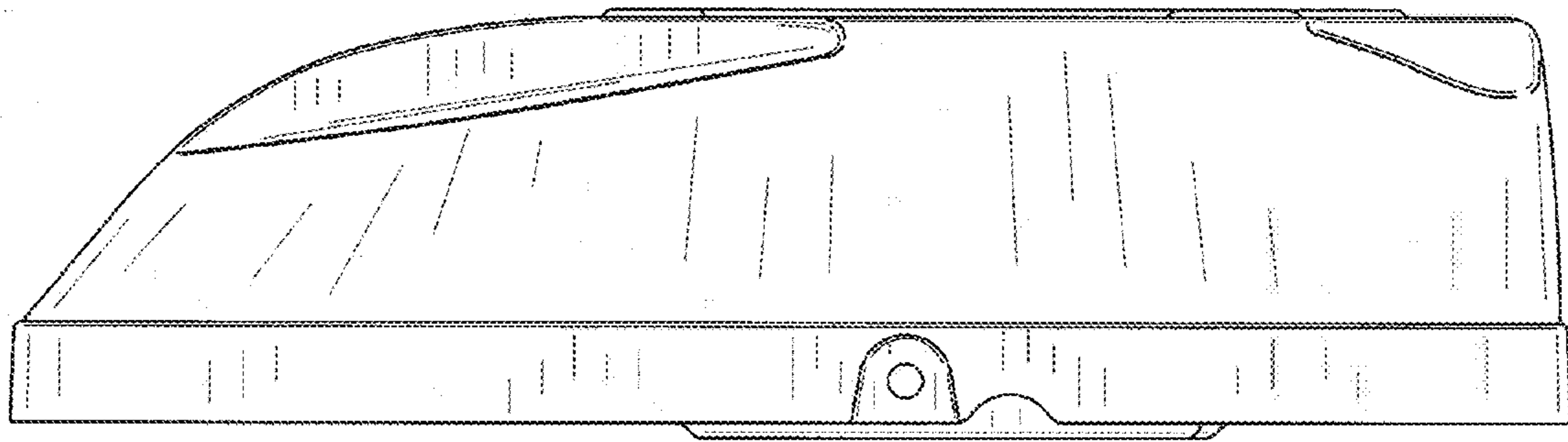


Figure 4

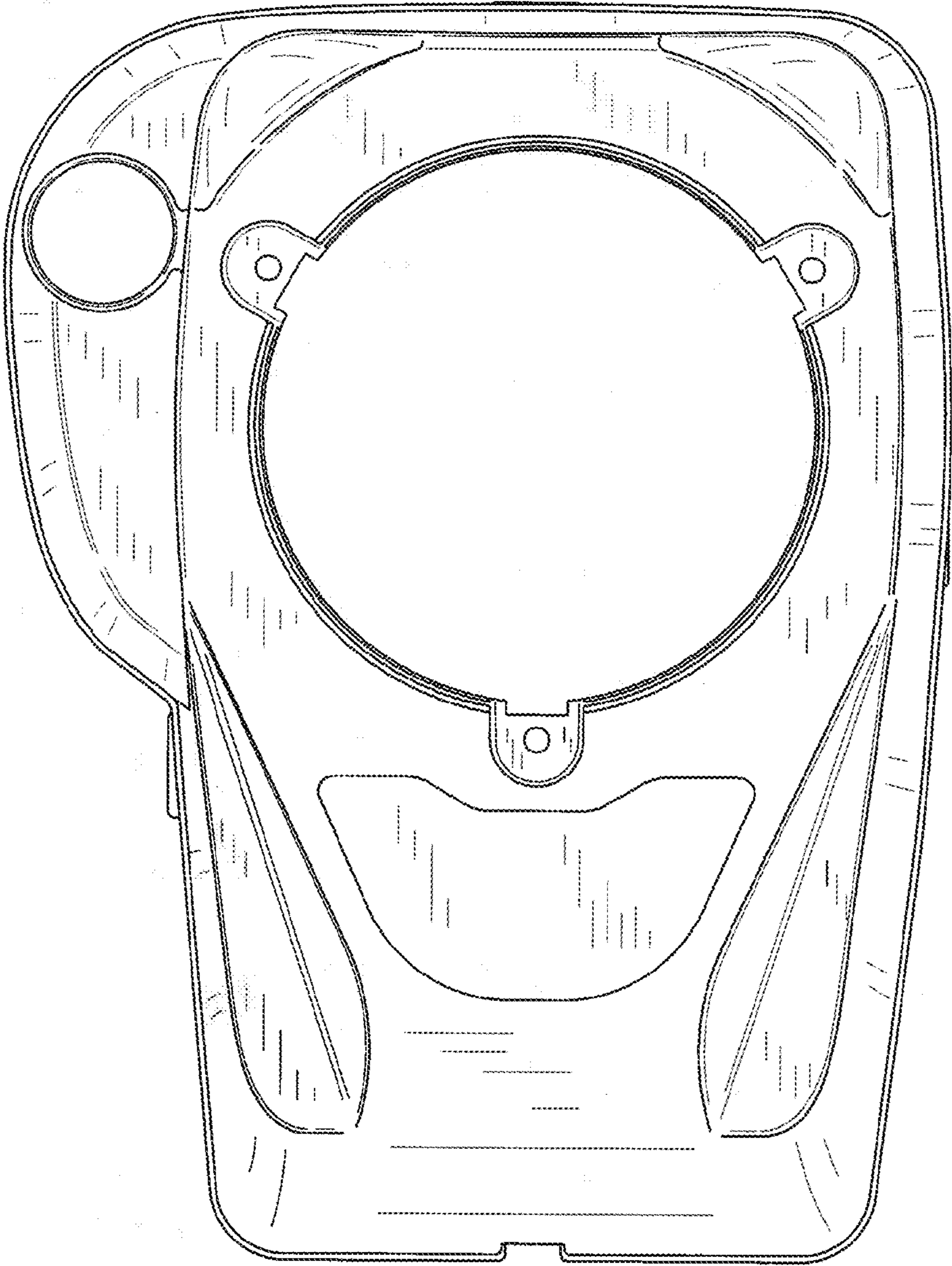


Figure 5

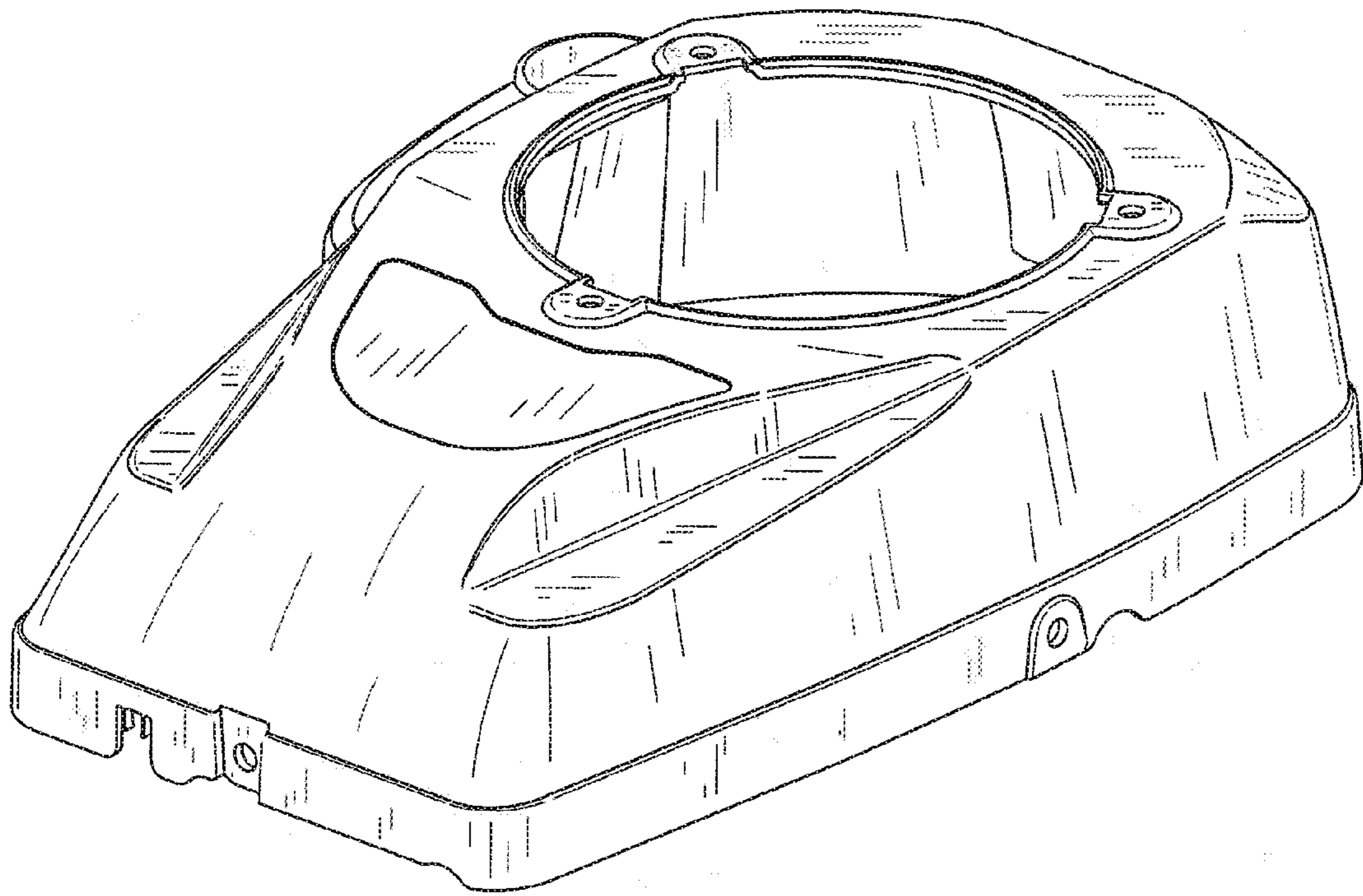


Figure 6

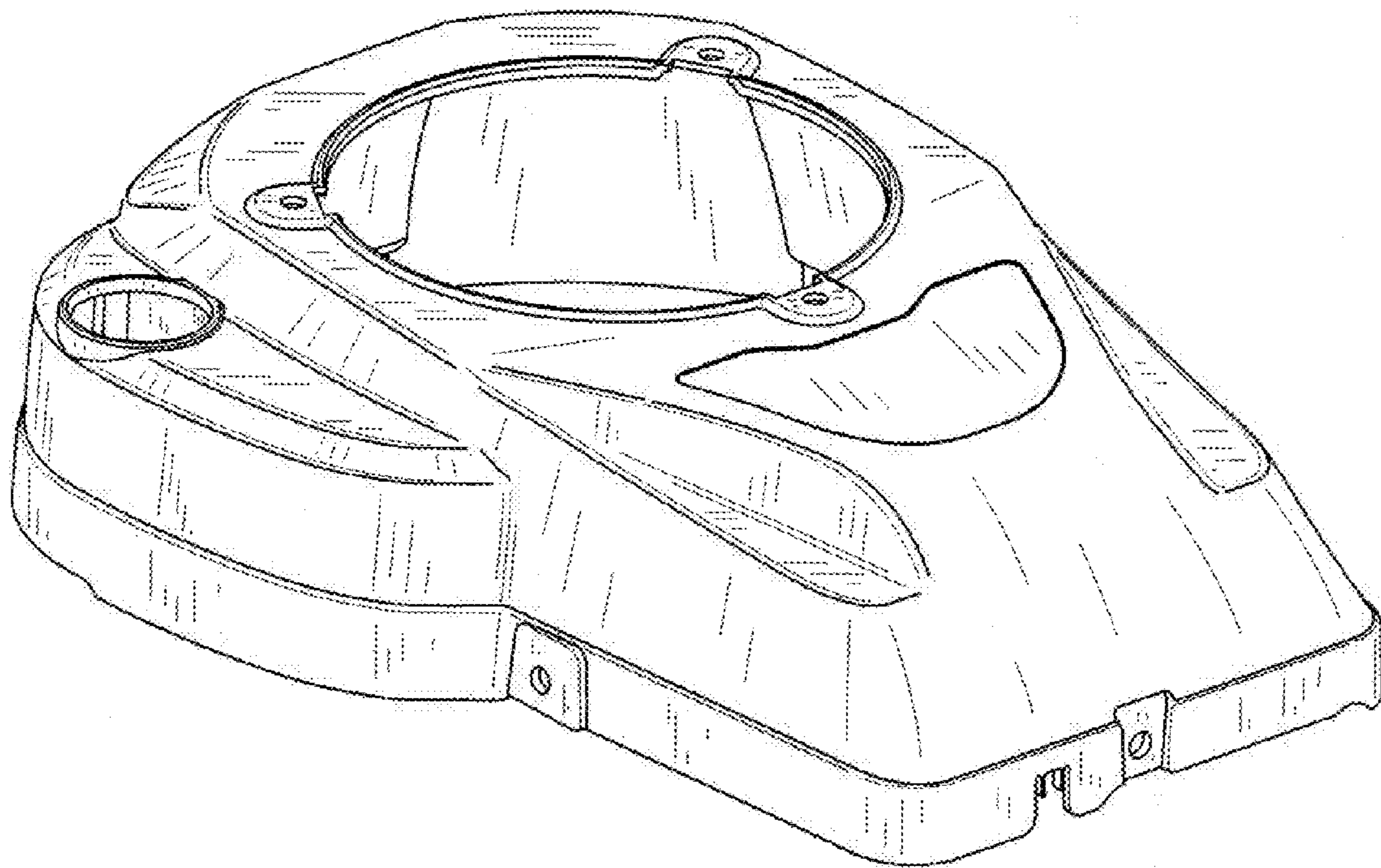


Figure 7