



US00D585448S

(12) **United States Design Patent**
Kawaguchi et al.

(10) **Patent No.:** **US D585,448 S**
(45) **Date of Patent:** **** Jan. 27, 2009**

(54) **MEMORY CARD**

(75) Inventors: **Tomonori Kawaguchi**, Tokyo (JP);
Masahiro Takase, Tokyo (JP); **Minako Eguchi**, Tokyo (JP); **Jun Ebisawa**, Tokyo (JP); **Chikako Hasegawa**, Tokyo (JP); **Yoshinobu Higuchi**, Tokyo (JP)

(73) Assignee: **Sony Corporation**, Tokyo (JP)

(**) Term: **14 Years**

(21) Appl. No.: **29/300,057**

(22) Filed: **Feb. 15, 2008**

(30) **Foreign Application Priority Data**

Aug. 24, 2007 (JP) D2007-023008

(51) **LOC (9) Cl.** **14-02**

(52) **U.S. Cl.** **D14/435**

(58) **Field of Classification Search** D14/435,
D14/356, 242, 436, 433, 474, 240, 496, 385,
D14/358; 360/97.01, 685, 686, 752, 737,
360/732, 784, 803; 439/135, 144, 139-141,
439/147, 136, 638, 518, 131; 365/51, 63,
365/131; 710/52, 300, 313; 711/115, 103,
711/154, 161-162; 70/58; 323/210; 713/186,
713/1; 382/124; 235/492; D13/147

See application file for complete search history.

(56) **References Cited**

U.S. PATENT DOCUMENTS

D248,470 S * 7/1978 Talesfore D14/435
D257,345 S * 10/1980 Levy D14/435
D290,705 S * 7/1987 Yomo D14/435

D302,427 S * 7/1989 Pushelberg D14/435
D368,082 S * 3/1996 Goto D14/435
D386,475 S * 11/1997 Hiramatsu D13/182
D421,597 S * 3/2000 Oba et al. D13/182
D421,967 S 3/2000 Oba et al.
D422,997 S 4/2000 Isozaki et al.
D432,505 S * 10/2000 Oba et al. D13/182
D466,119 S 11/2002 Funahashi et al.
D488,475 S * 4/2004 Yu et al. D14/436
D488,476 S * 4/2004 Yu et al. D14/436
D491,951 S * 6/2004 Yu et al. D14/436
D492,687 S * 7/2004 Yu et al. D14/436
6,768,645 B2 * 7/2004 Kadonaga 361/737
D505,133 S * 5/2005 Ashida et al. D14/435
7,121,846 B2 * 10/2006 Katayanagi 439/76.1
2005/0202700 A1 * 9/2005 Kim 439/137
2006/0009079 A1 * 1/2006 Chen 439/630
2006/0072368 A1 * 4/2006 Koh et al. 365/232

* cited by examiner

Primary Examiner—Melanie H Tung

Assistant Examiner—Susan Moon Lee

(74) *Attorney, Agent, or Firm*—Rader, Fishman & Grauer, PLLC

(57) **CLAIM**

The ornamental design for a memory card, as shown and described.

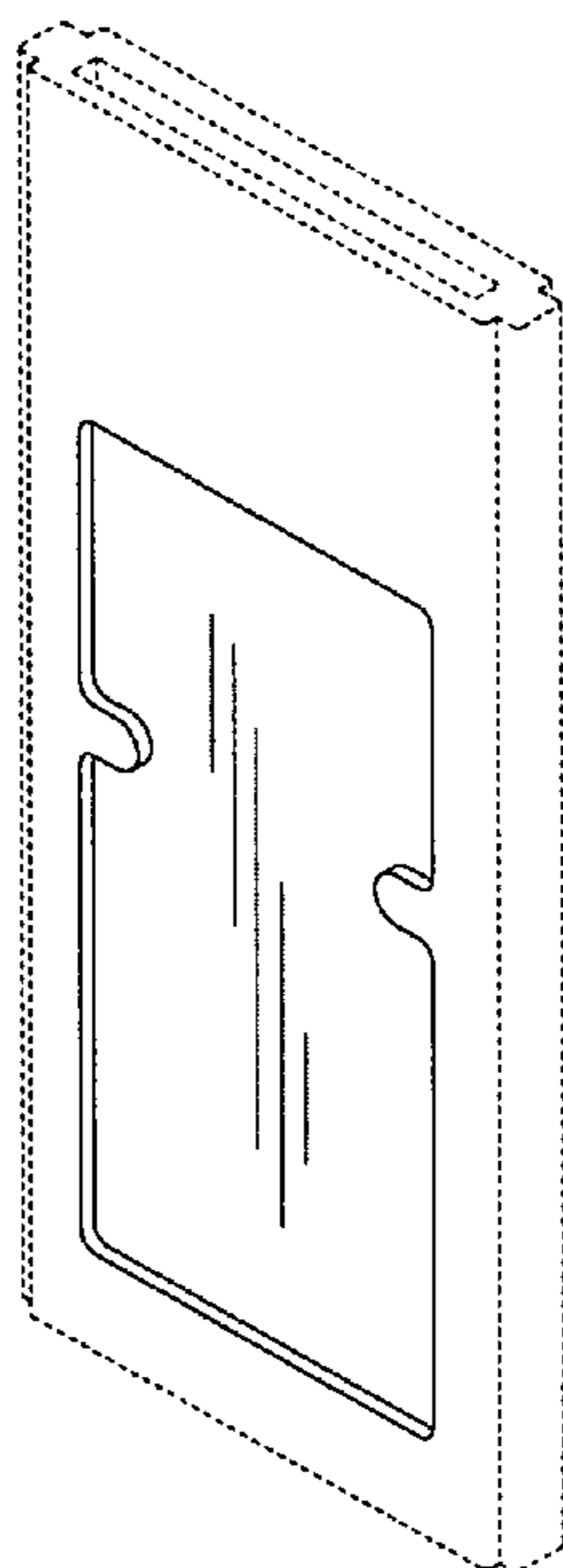
DESCRIPTION

FIG. 1 is a perspective view of a memory card showing our new design; and,

FIG. 2 is a front elevational view thereof.

The broken line portions are not claimed.

1 Claim, 2 Drawing Sheets



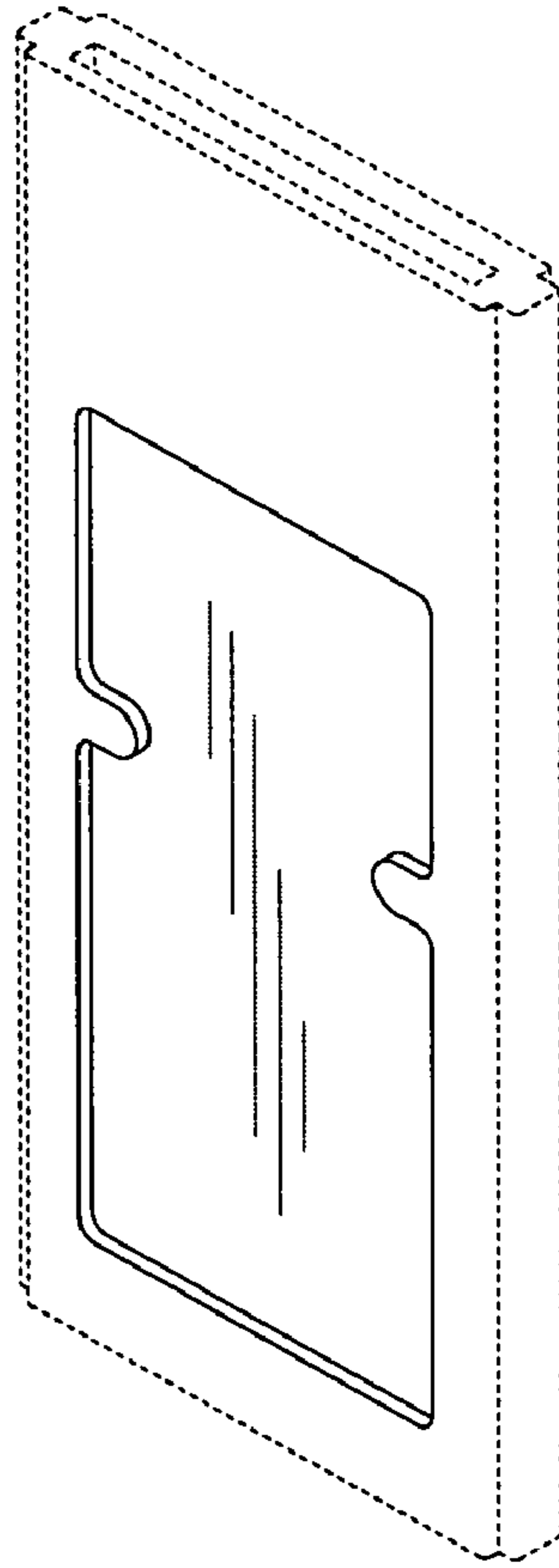


FIG. 1

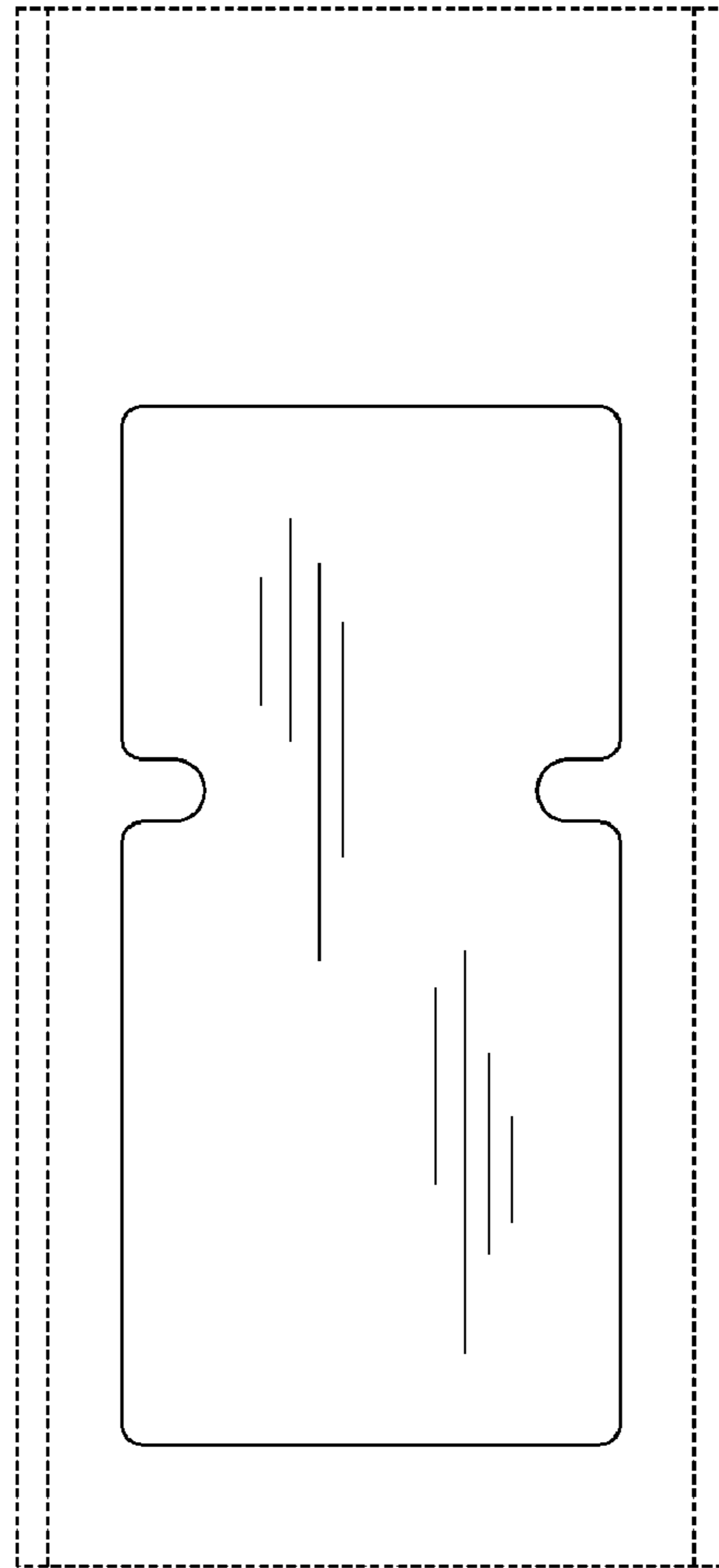


FIG. 2