



US00D585446S

(12) **United States Design Patent**
Sun et al.

(10) **Patent No.:** **US D585,446 S**
(45) **Date of Patent:** **** Jan. 27, 2009**

(54) **INFORMATION HANDLING SYSTEM**

D494,169 S 8/2004 Lin D14/349
D497,162 S 10/2004 Neal et al. D14/349
D504,895 S 5/2005 Frank et al. D14/441

(75) Inventors: **Cecilia H. Sun**, Austin, TX (US); **Scott Gant**, Poway, CA (US); **Claude Zellweger**, San Francisco, CA (US)

Primary Examiner—Freda S Nunn
(74) *Attorney, Agent, or Firm*—Hamilton & Terrile, LLP; Stephen A. Terrile

(73) Assignee: **Dell Products L.P.**, Round Rock, TX (US)

(**) Term: **14 Years**

(57) **CLAIM**

(21) Appl. No.: **29/297,451**

The ornamental design for an information handling system, as shown and described.

(22) Filed: **Nov. 12, 2007**

DESCRIPTION

(51) **LOC (9) Cl.** **14-02**

FIG. 1 is a front perspective view of the information handling system comprising the present invention;

(52) **U.S. Cl.** **D14/349**

FIG. 2 is a front side view thereof;

(58) **Field of Classification Search** D14/308,
D14/313, 349–361, 388; D13/162, 184,
D13/199; 312/223.1–223.3; 360/99.01–99.12;
361/680–686, 690–696; 369/34.01, 36.01;
358/496

FIG. 3 is a right side view thereof;

FIG. 4 is a left side view thereof;

FIG. 5 is a rear view thereof; and,

FIG. 6 is a top view thereof.

See application file for complete search history.

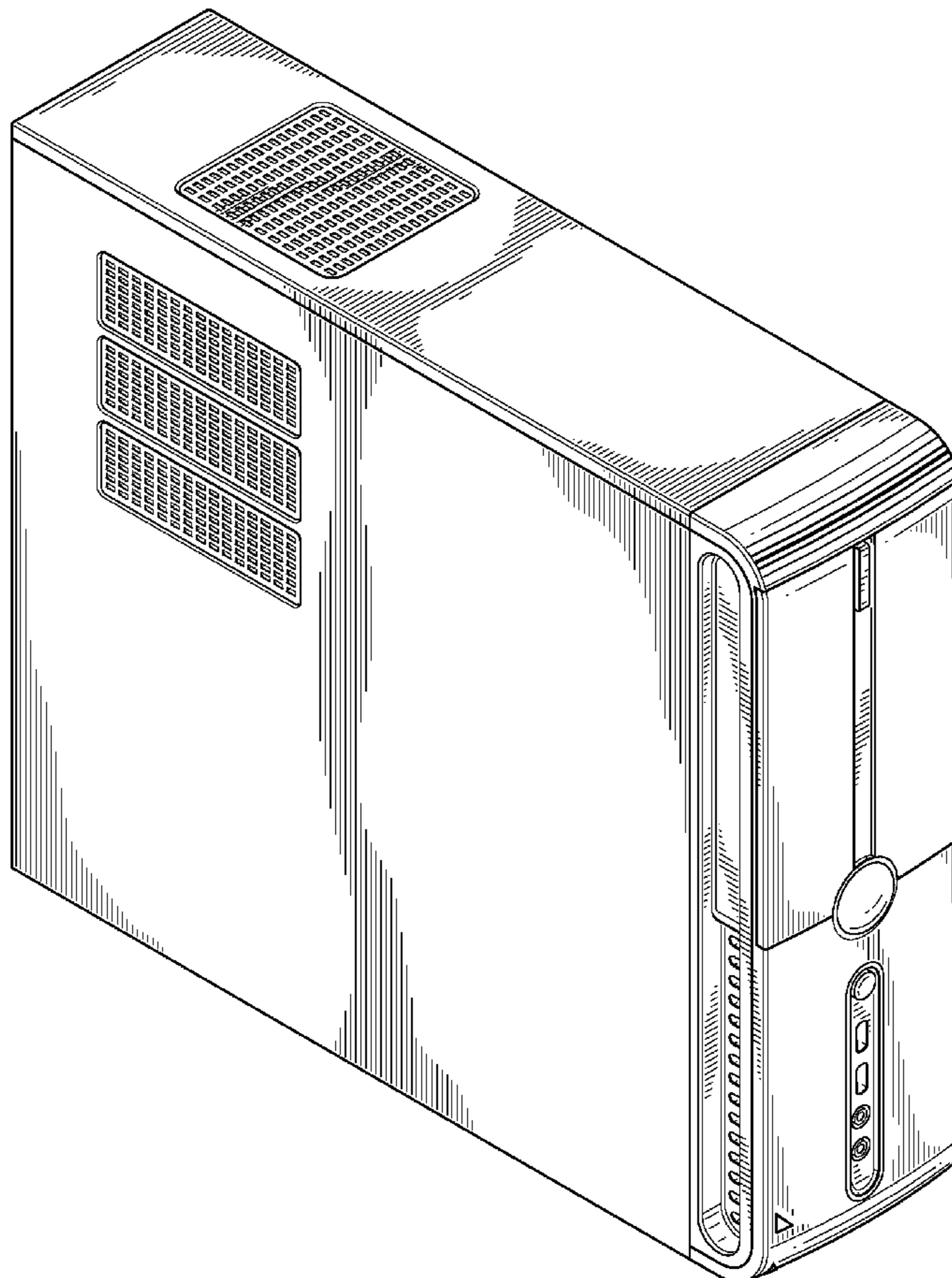
The elements illustrated in broken lines in the drawing figures are considered environmental only and do not form a part of the claimed design.

(56) **References Cited**

U.S. PATENT DOCUMENTS

D478,586 S 8/2003 Lee et al. D14/349

1 Claim, 4 Drawing Sheets



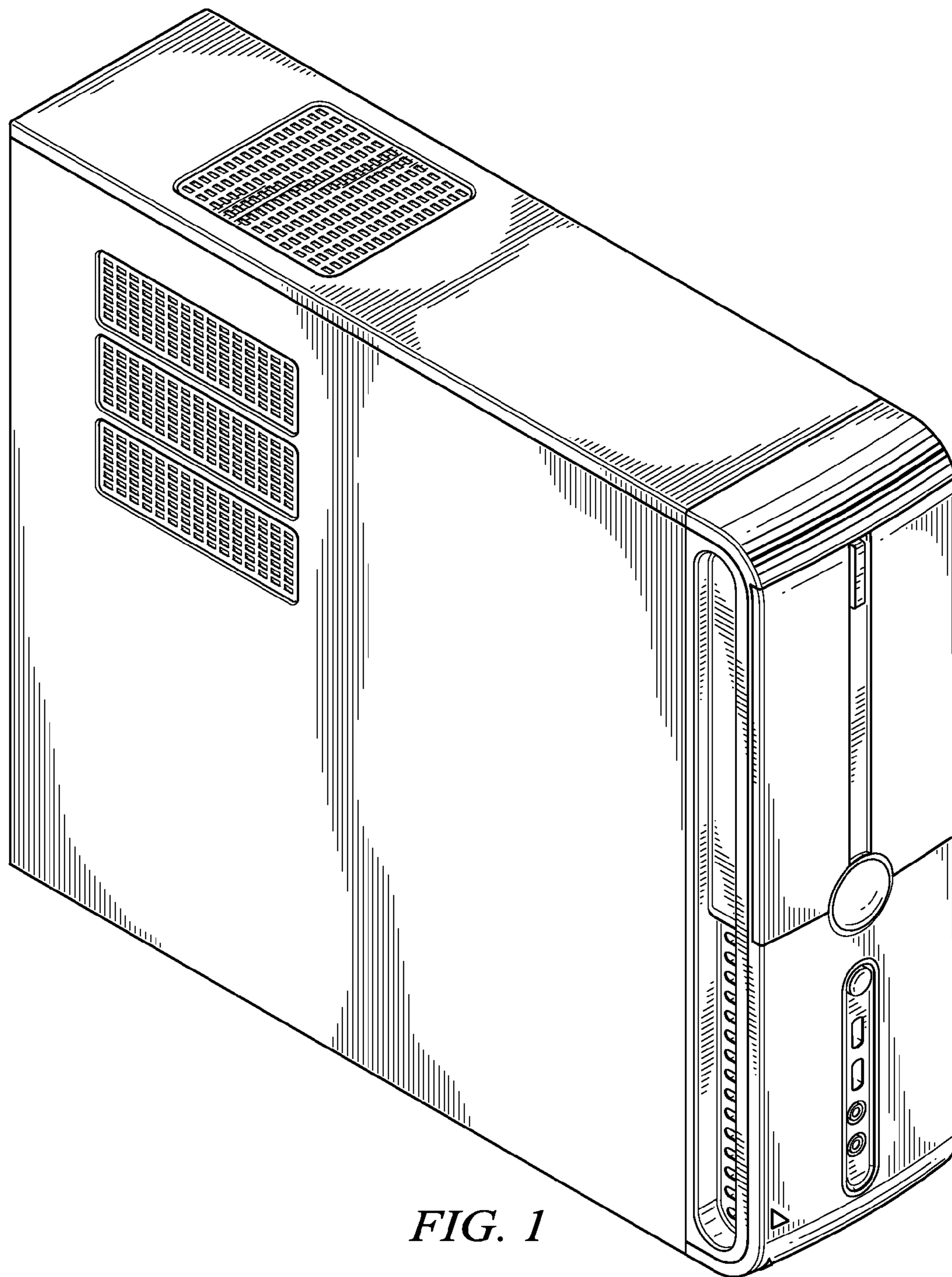


FIG. 1

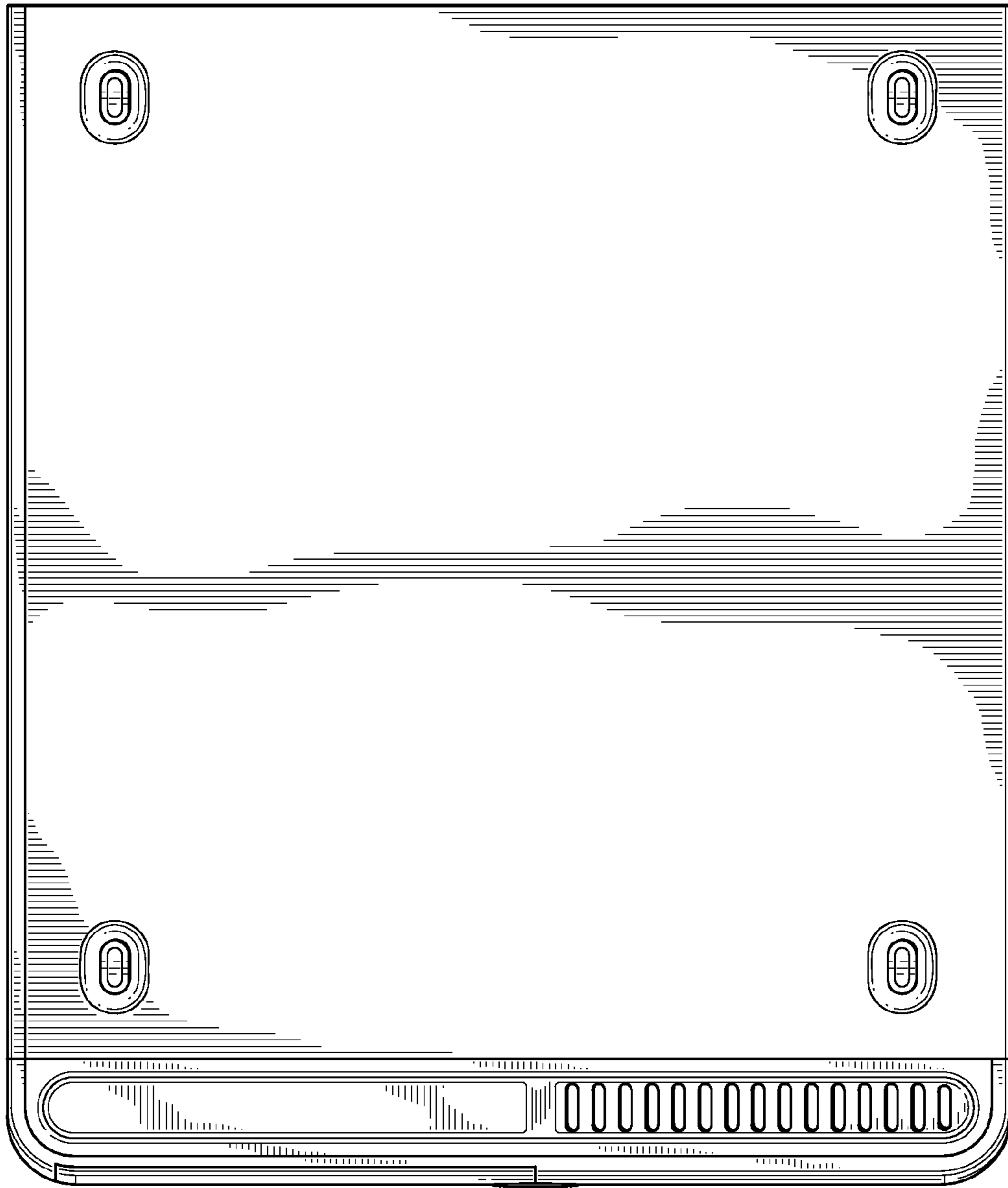


FIG. 3

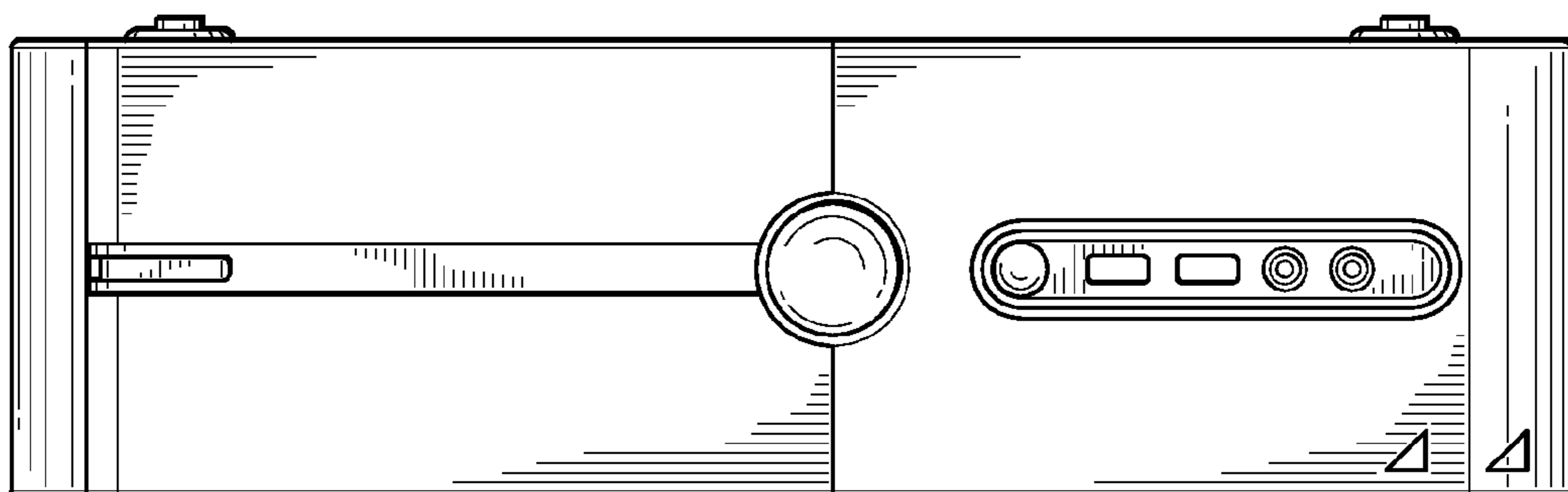


FIG. 2

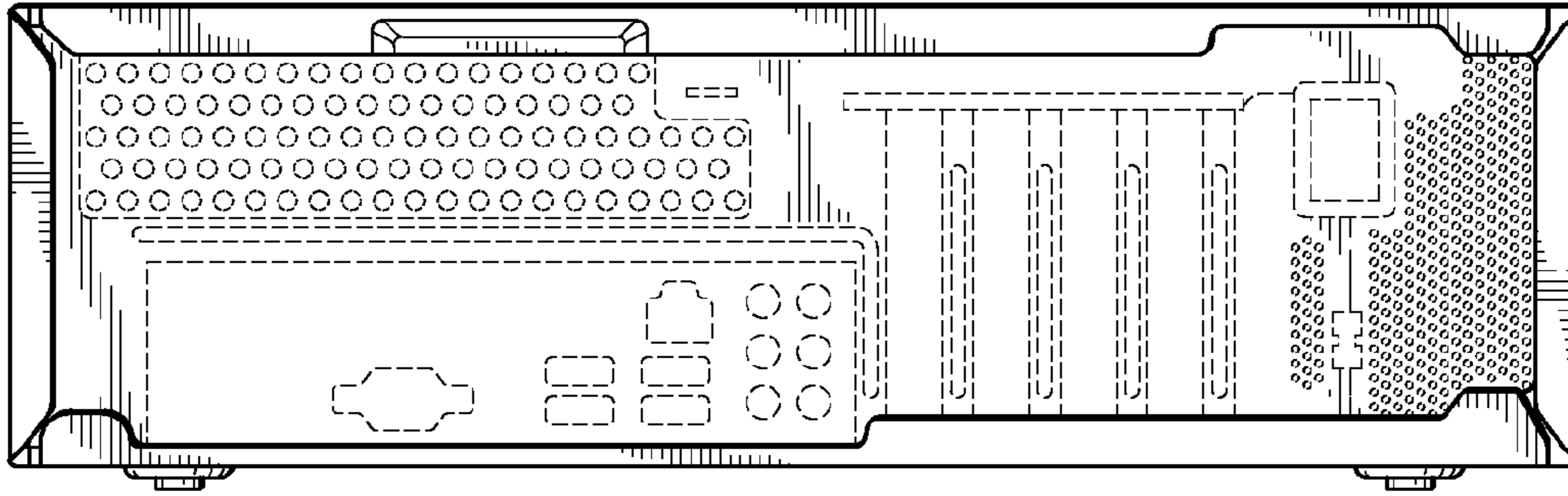


FIG. 5

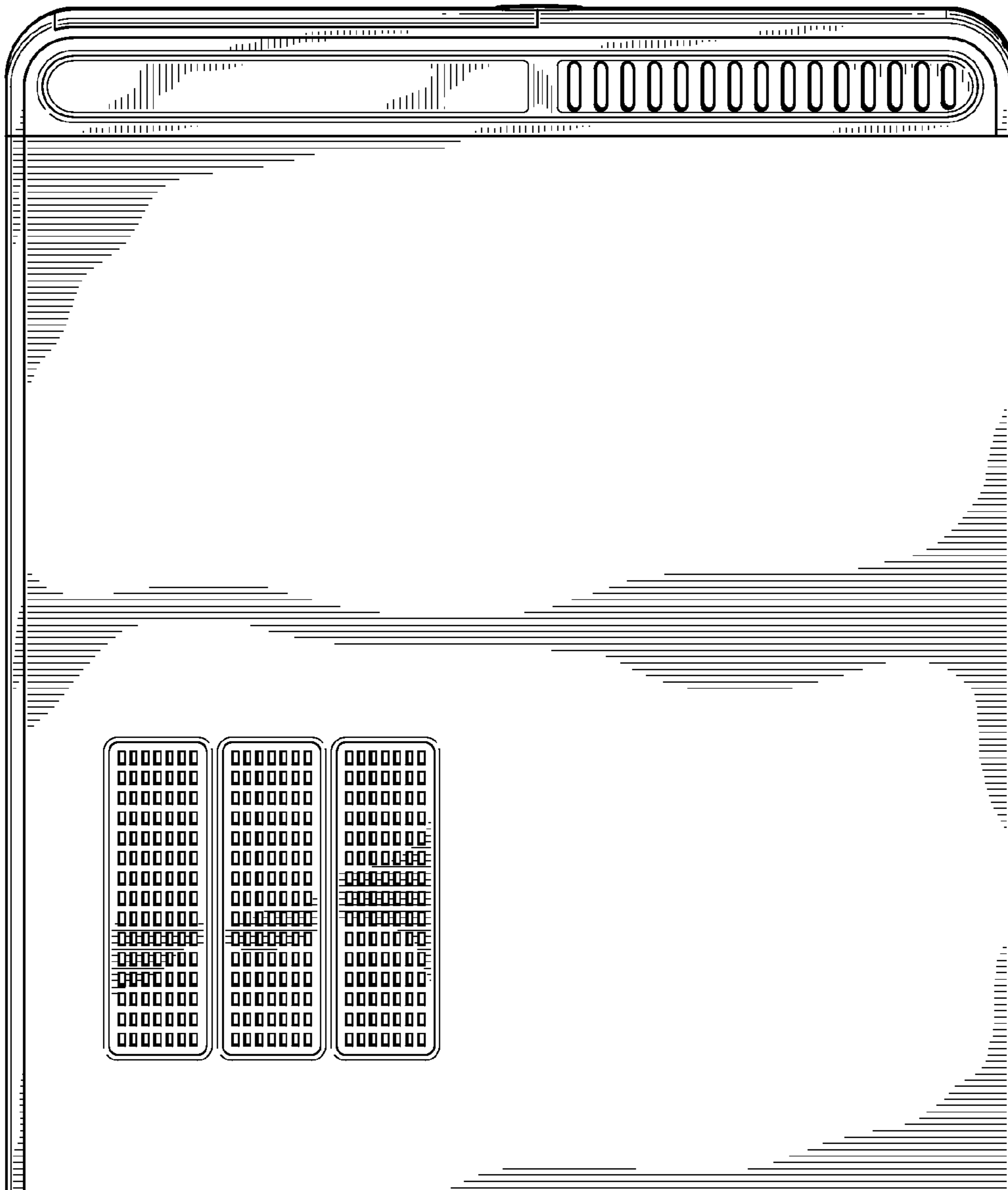


FIG. 4

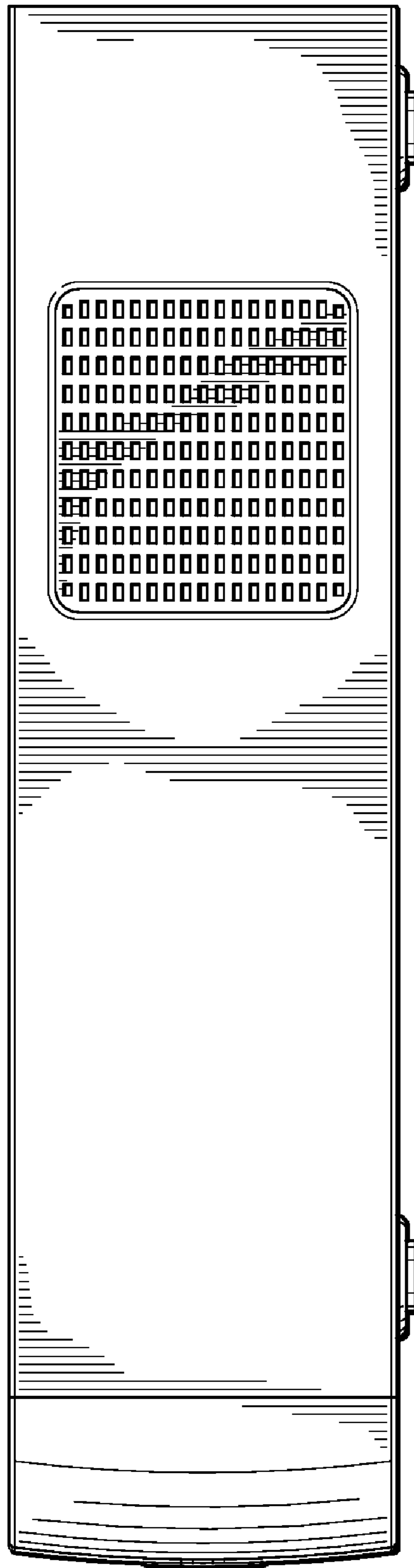


FIG. 6