



US00D585439S

(12) **United States Design Patent**  
**Ching et al.**

(10) **Patent No.:** **US D585,439 S**  
(45) **Date of Patent:** **\*\* Jan. 27, 2009**

(54) **COMPUTER HOUSING**

(75) Inventors: **Chang Chia Ching**, Chung-Ho (TW);  
**Yang Fan Li**, Chung-Ho (TW); **Yu-chin Lai**, Chung-Ho (TW)

(73) Assignee: **Cooler Master Co., Ltd.**, Taipei (TW)

(\*\*) Term: **14 Years**

(21) Appl. No.: **29/306,710**

(22) Filed: **Apr. 15, 2008**

(30) **Foreign Application Priority Data**

Dec. 14, 2007 (TW) ..... 96306807

(51) **LOC (9) Cl.** ..... **14-02**

(52) **U.S. Cl.** ..... **D14/300**

(58) **Field of Classification Search** ..... D14/300-302,  
D14/308-314, 348, 349-356, 361-368; D13/162,  
D13/184, 199; 312/223.1-223.3; 360/99.01-99.12;  
369/34.01, 36.01; 361/680-686, 752; 439/717  
See application file for complete search history.

(56) **References Cited**

**U.S. PATENT DOCUMENTS**

D311,389 S \* 10/1990 Festa et al. .... D14/301  
D421,250 S \* 2/2000 Wilson et al. .... D14/356

D422,574 S \* 4/2000 Fujii et al. .... D14/368  
D426,831 S \* 6/2000 Hu ..... D14/348  
D435,845 S \* 1/2001 Piersol ..... D14/355  
6,328,612 B1 \* 12/2001 Chung ..... 439/717  
D505,949 S \* 6/2005 Chen et al. .... D14/313  
D525,968 S \* 8/2006 Peng et al. .... D14/300  
D530,323 S \* 10/2006 Hsu ..... D14/348  
D542,288 S \* 5/2007 Andre et al. .... D14/314  
2002/0105787 A1 \* 8/2002 Kobayashi et al. .... 361/752

\* cited by examiner

*Primary Examiner*—Freda S Nunn

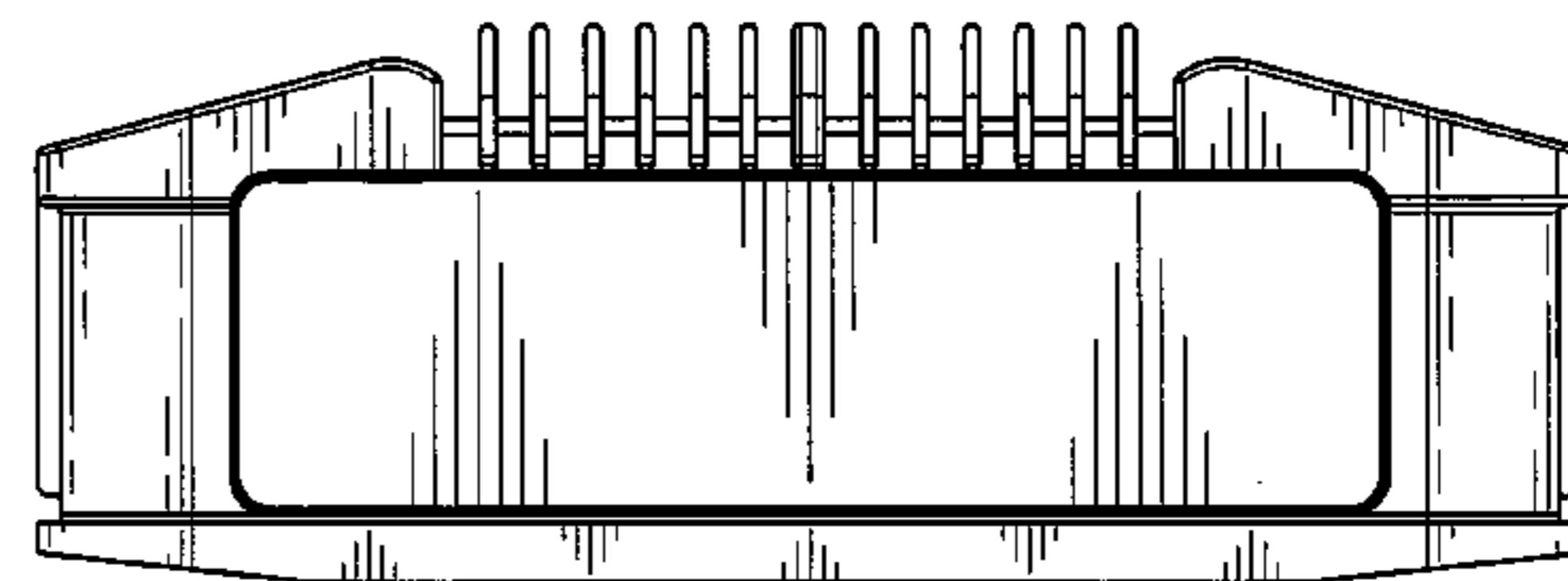
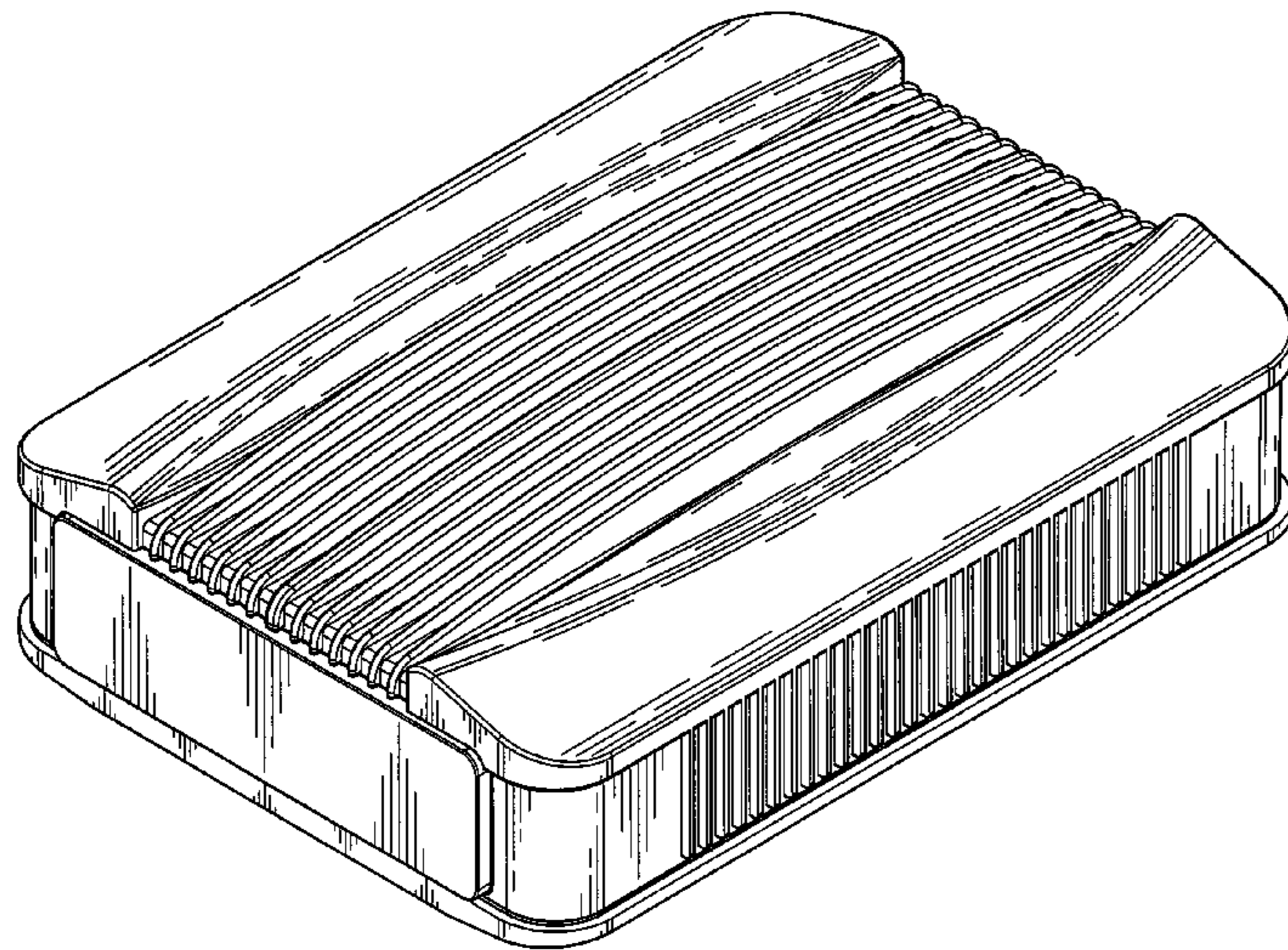
(57) **CLAIM**

The ornamental design for a computer housing, as shown and described.

**DESCRIPTION**

FIG. 1 is a perspective view of a computer housing showing my new design;  
FIG. 2 is a front view thereof;  
FIG. 3 is a rear view thereof;  
FIG. 4 is a left side view thereof;  
FIG. 5 is a right side view thereof;  
FIG. 6 is a top view thereof; and,  
FIG. 7 is a bottom view thereof.

**1 Claim, 5 Drawing Sheets**



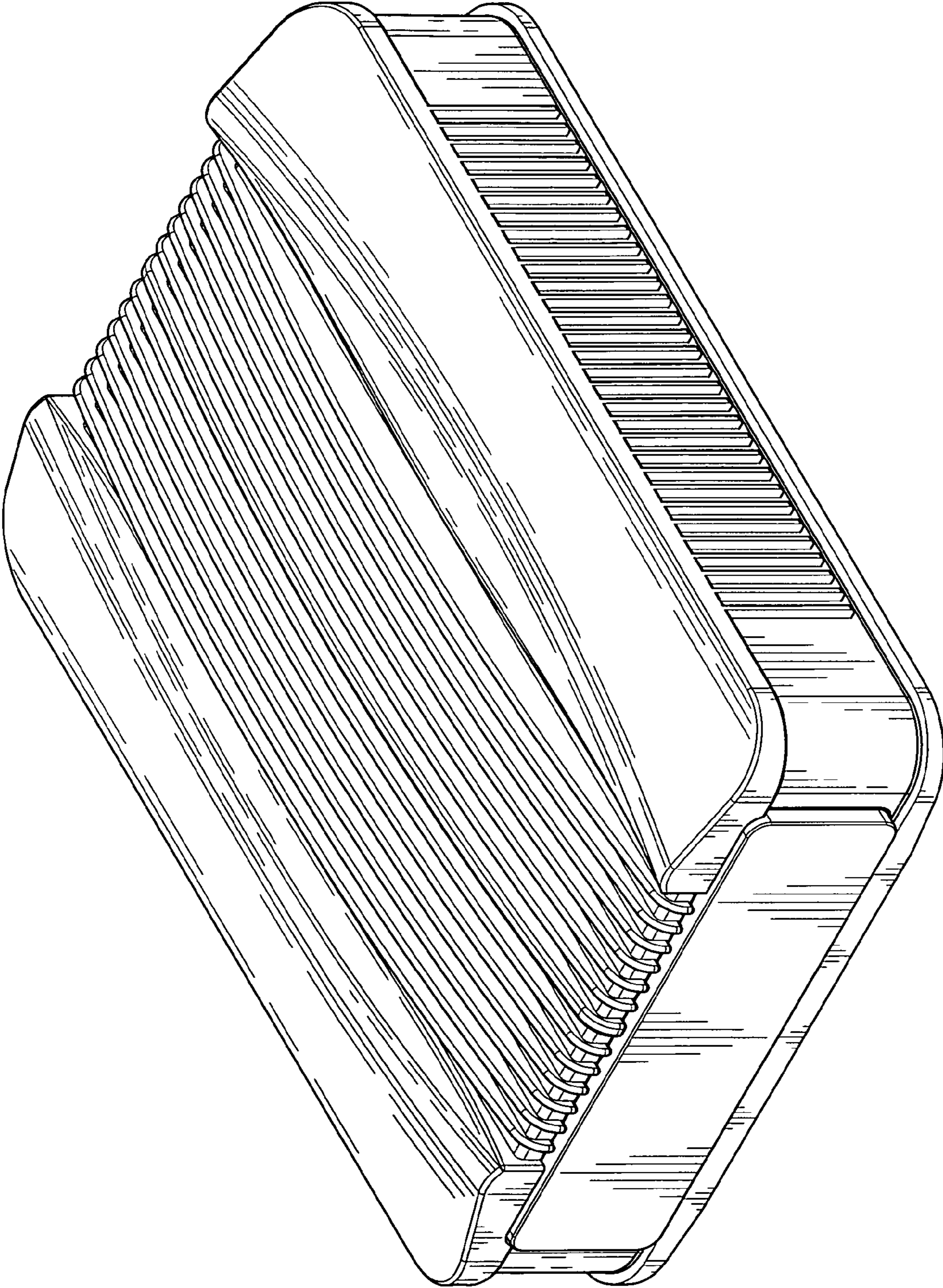


FIG.1

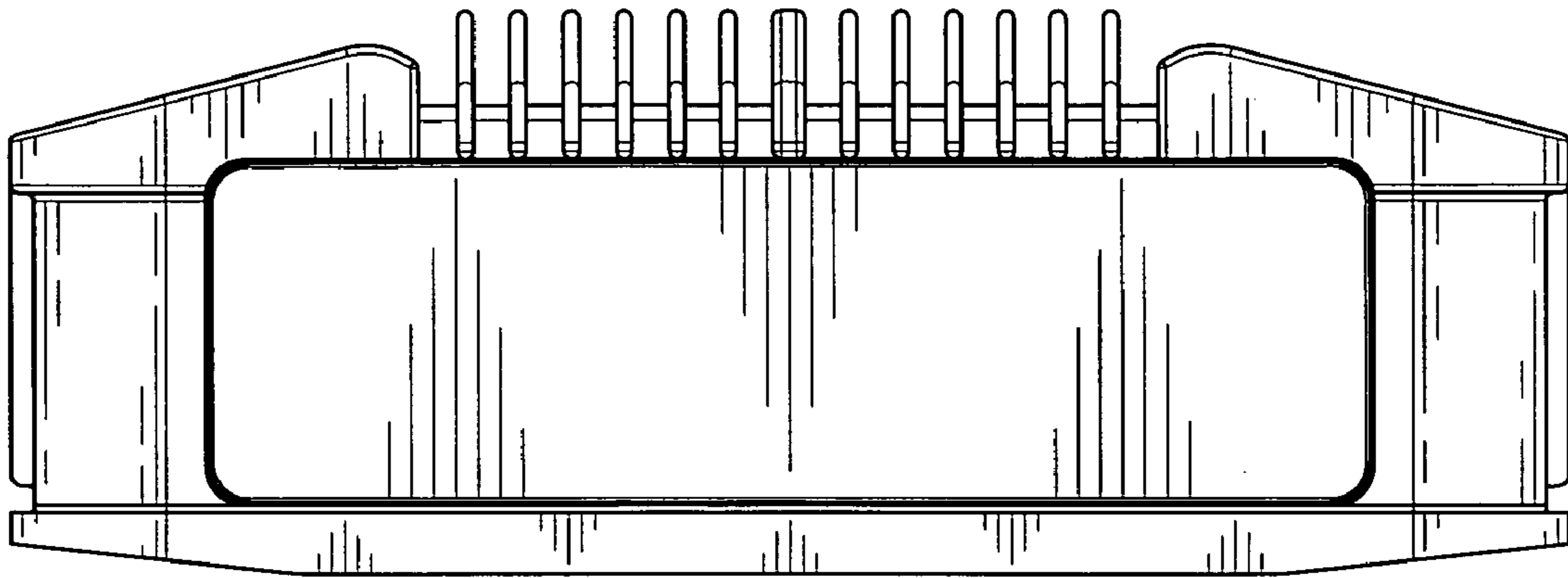


FIG. 2

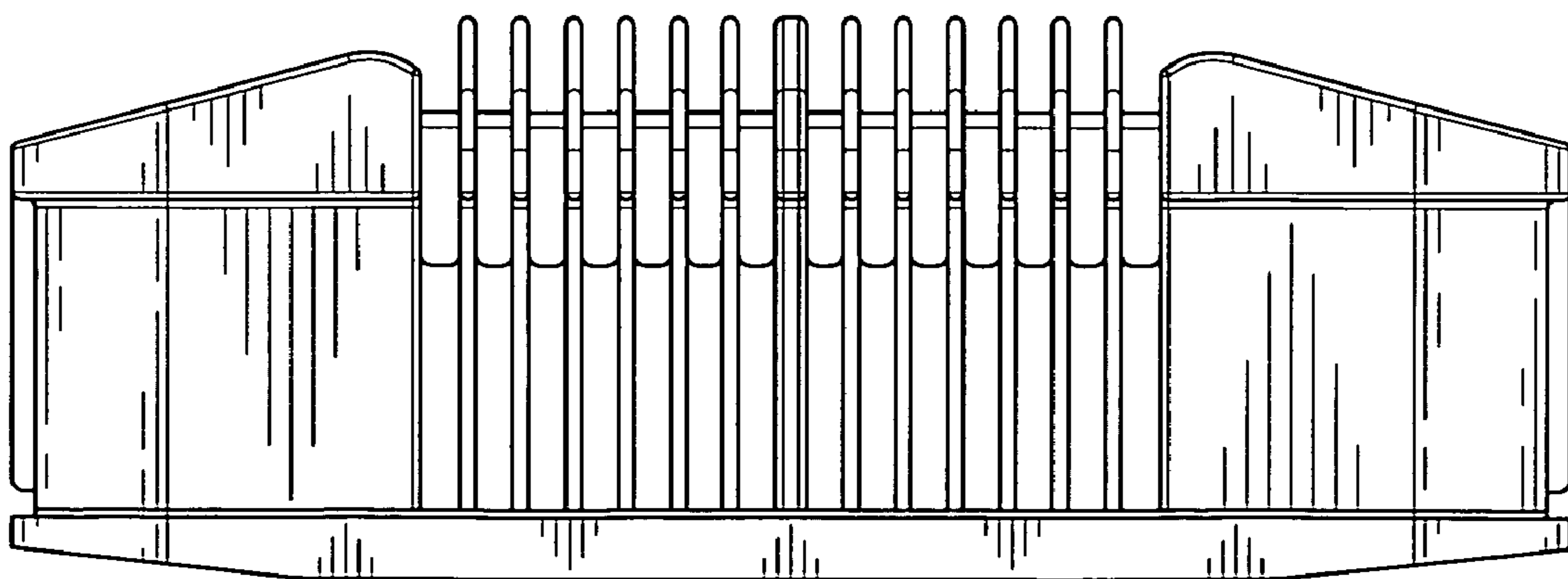


FIG. 3

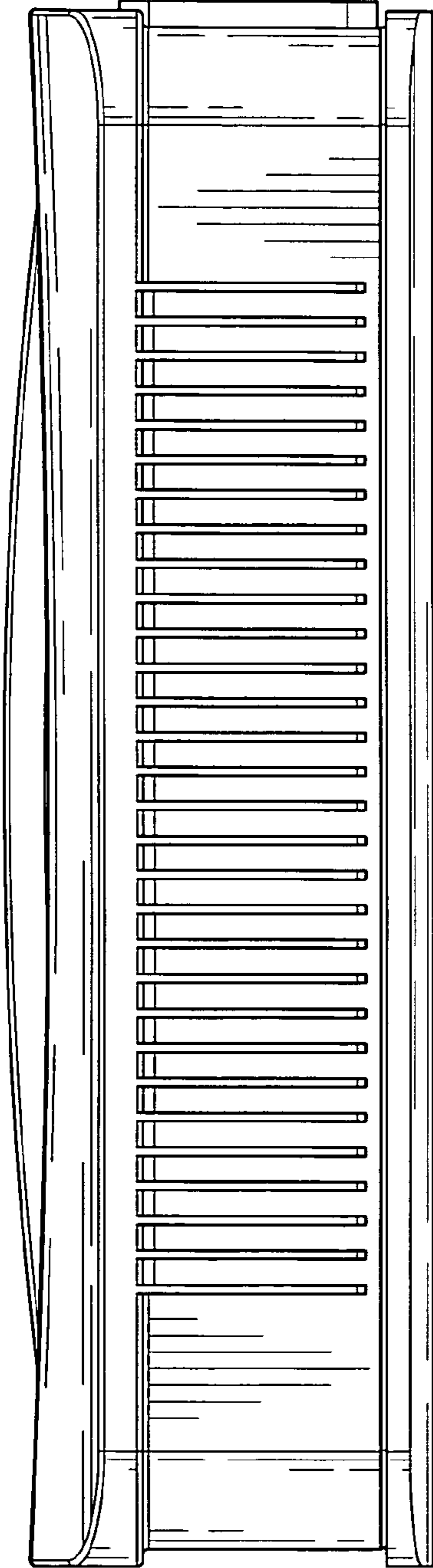


FIG. 4

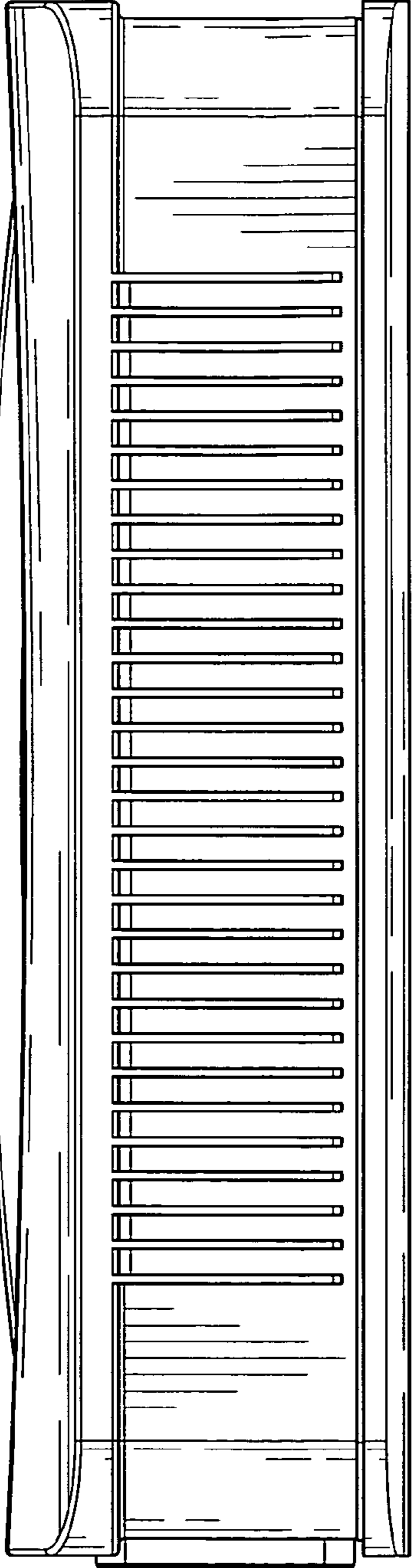


FIG. 5

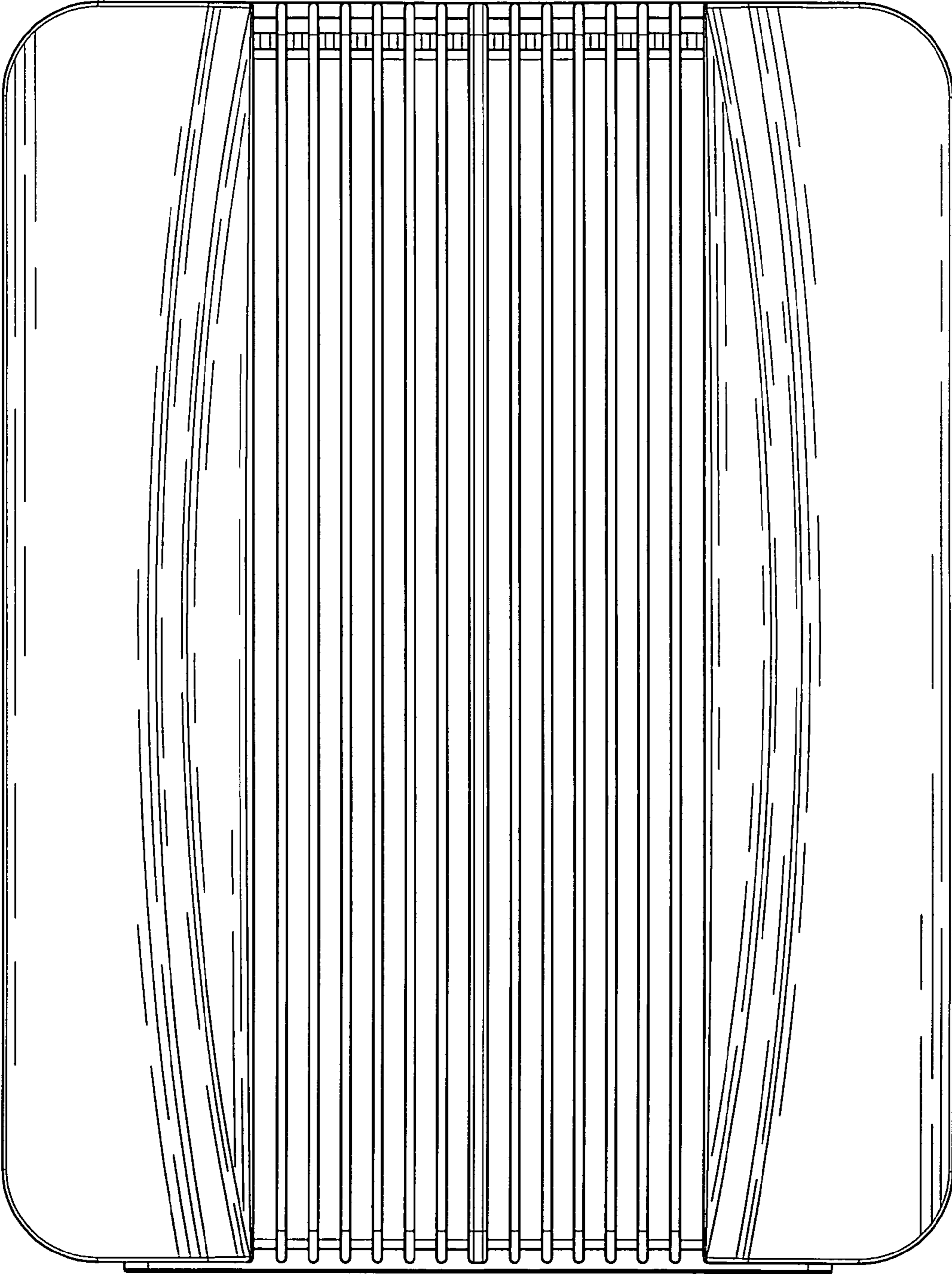


FIG.6

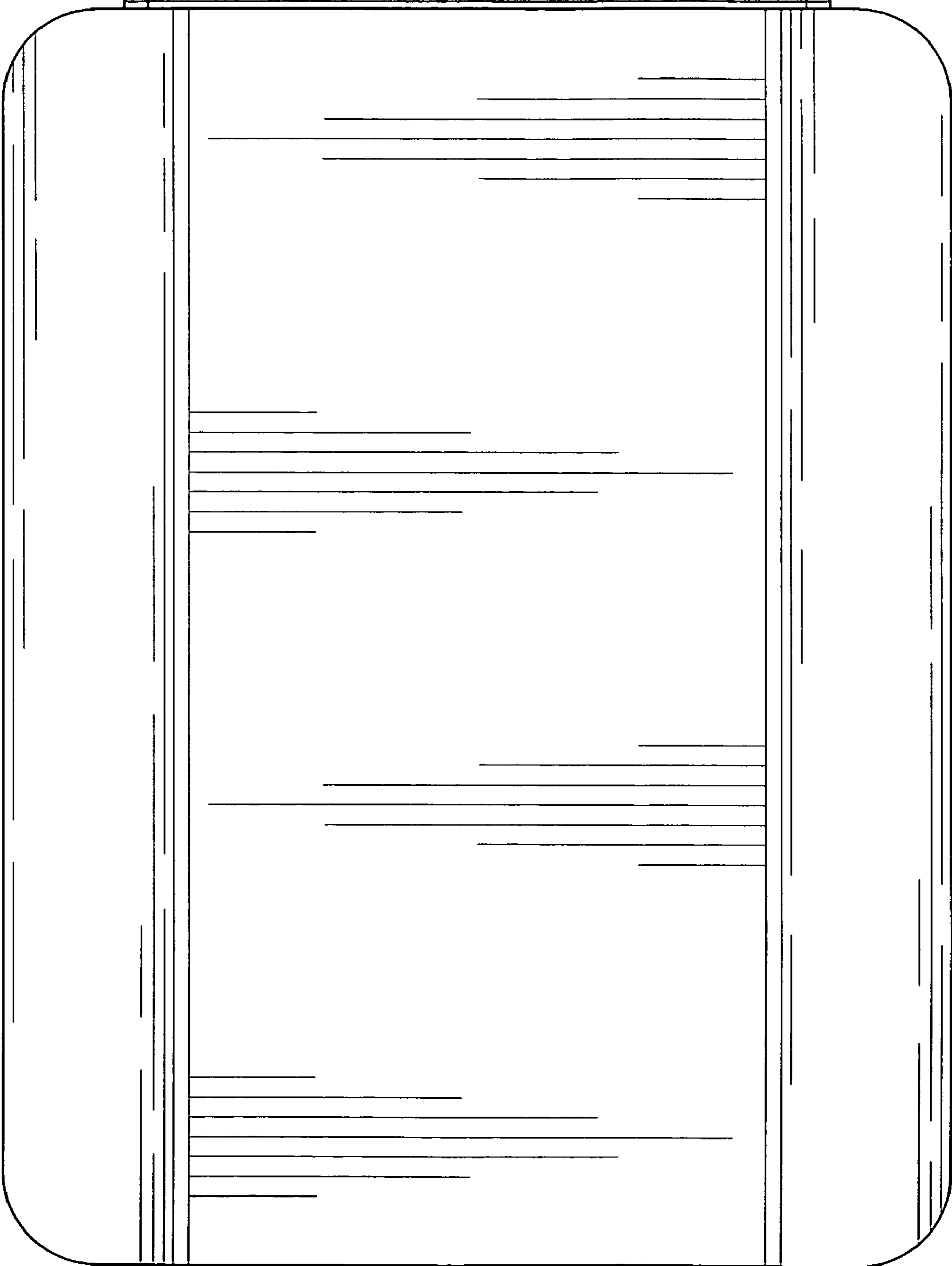


FIG.7