



US00D585437S

(12) **United States Design Patent**
Yagihashi

(10) **Patent No.:** **US D585,437 S**
(45) **Date of Patent:** **** Jan. 27, 2009**

(54) **DISC PLAYER**

D571,350 S * 6/2008 Iwamoto et al. D14/147

(75) Inventor: **Tatsuya Yagihashi**, Tokyo (JP)

* cited by examiner

(73) Assignee: **Sony Corporation**, Tokyo (JP)

Primary Examiner—Robert M Spear

Assistant Examiner—Katrina A Kile

(**) Term: **14 Years**

(74) *Attorney, Agent, or Firm*—Rader, Fishman & Grauer, PLLC

(21) Appl. No.: **29/290,009**

(22) Filed: **Oct. 11, 2007**

(57) **CLAIM**

The ornamental design for a disc player, as shown and described.

(30) **Foreign Application Priority Data**

Jun. 28, 2007 (EM) 00749585-0002

DESCRIPTION

(51) **LOC (9) Cl.** **14-01**

FIG. 1 is a perspective view of a disc player showing my new design;

(52) **U.S. Cl.** **D14/257**

(58) **Field of Classification Search** D14/258,
D14/257, 224, 217, 198, 197, 188, 17, 170,
D14/168, 167, 164, 162, 161, 160, 157, 156,
D14/136, 135, 415, 418, 400, 195; 720/691,
720/658, 270; 455/344, 575.1; 396/434,
396/93; 386/1; 369/75.1; 360/47, 4; 359/550,
359/258; 349/460, 159, 10

FIG. 2 is a front elevational view thereof;

FIG. 3 is a left side elevational view thereof;

FIG. 4 is a right side elevational view thereof;

FIG. 5 is a top plan view thereof;

FIG. 6 is a bottom plan view thereof;

See application file for complete search history.

FIG. 7 is a partially enlarged left side elevational view thereof; and,

FIG. 8 is a partially enlarged right side elevational view thereof.

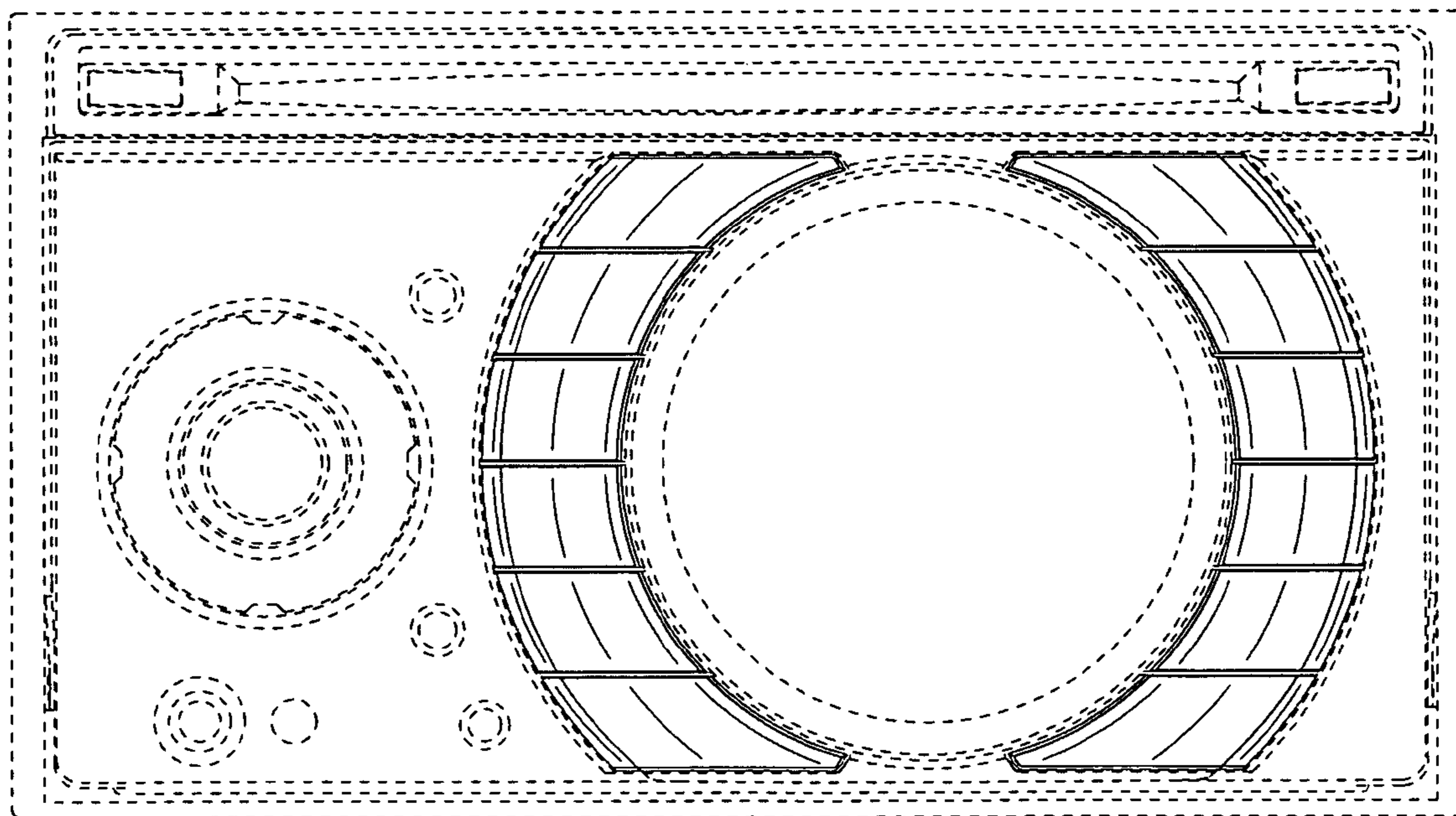
(56) **References Cited**

U.S. PATENT DOCUMENTS

D427,627 S 7/2000 Ikenaga
D438,193 S * 2/2001 Hakoda D14/217
D508,045 S * 8/2005 Suzuki D14/258
D571,348 S * 6/2008 Uehara et al. D14/157

The broken lines in the drawing figures represent portions of a disc player that form no part of the claimed design.

1 Claim, 8 Drawing Sheets



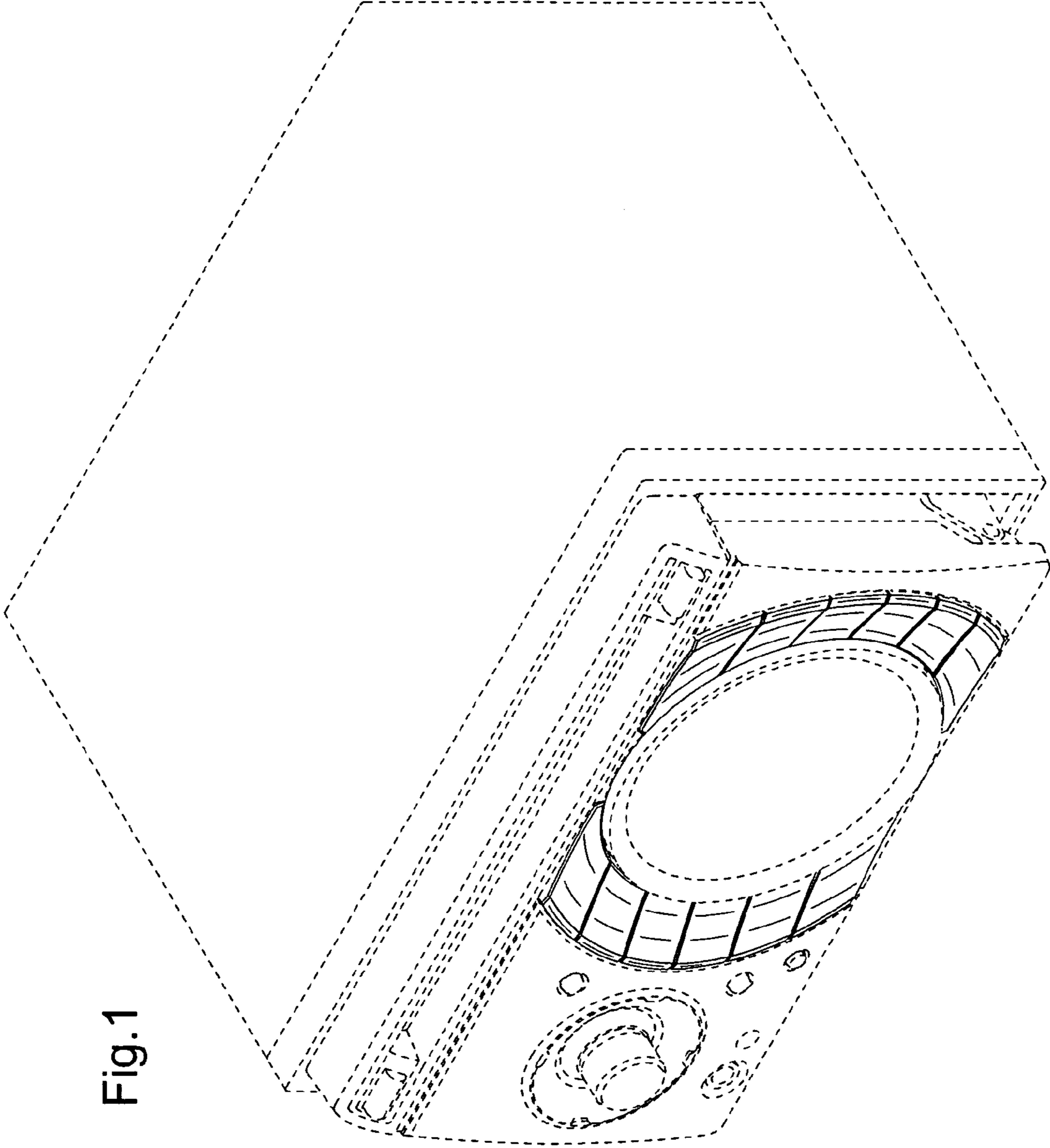


Fig.1

Fig.2

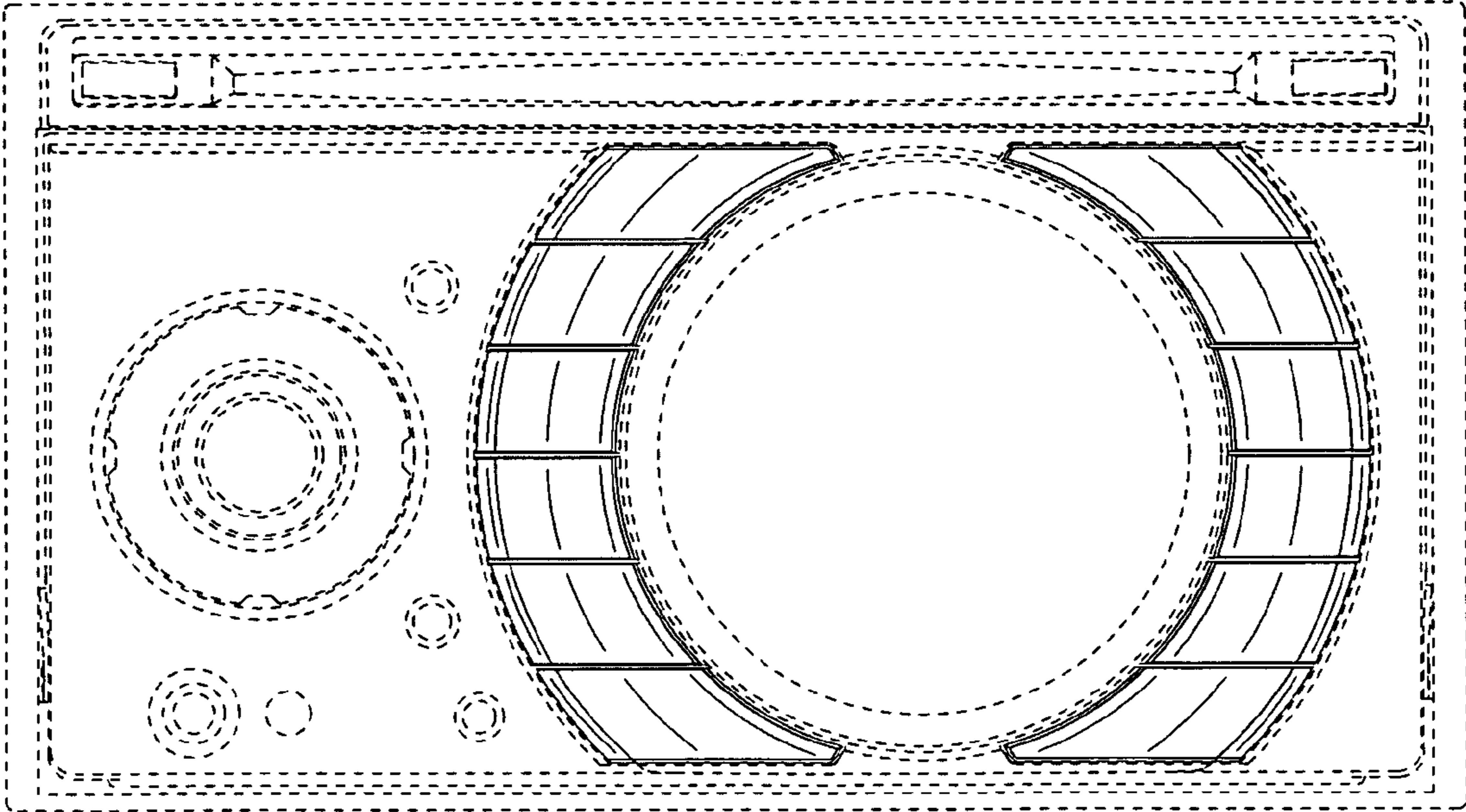


Fig.3



Fig.4



Fig.5

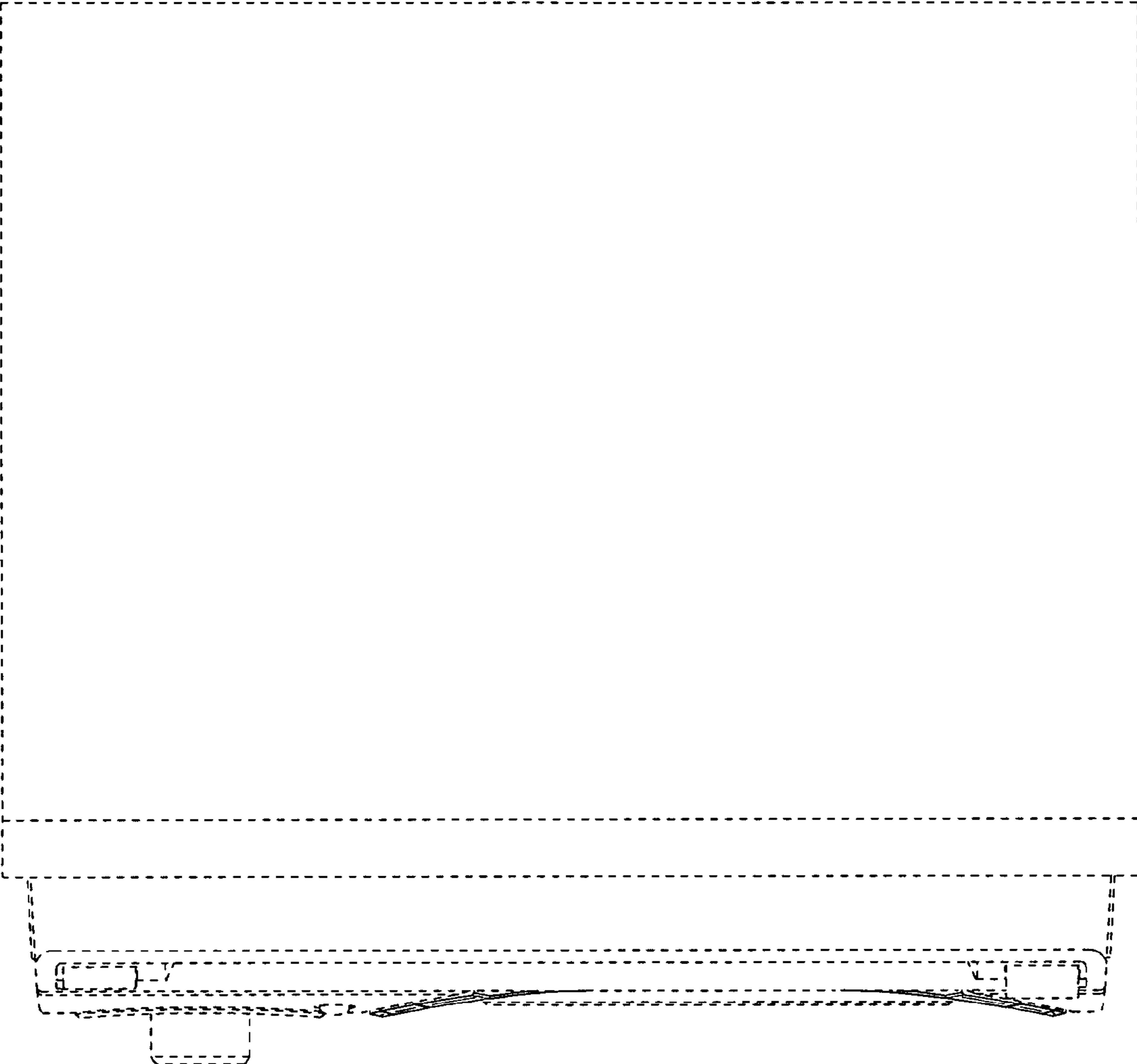


Fig.6

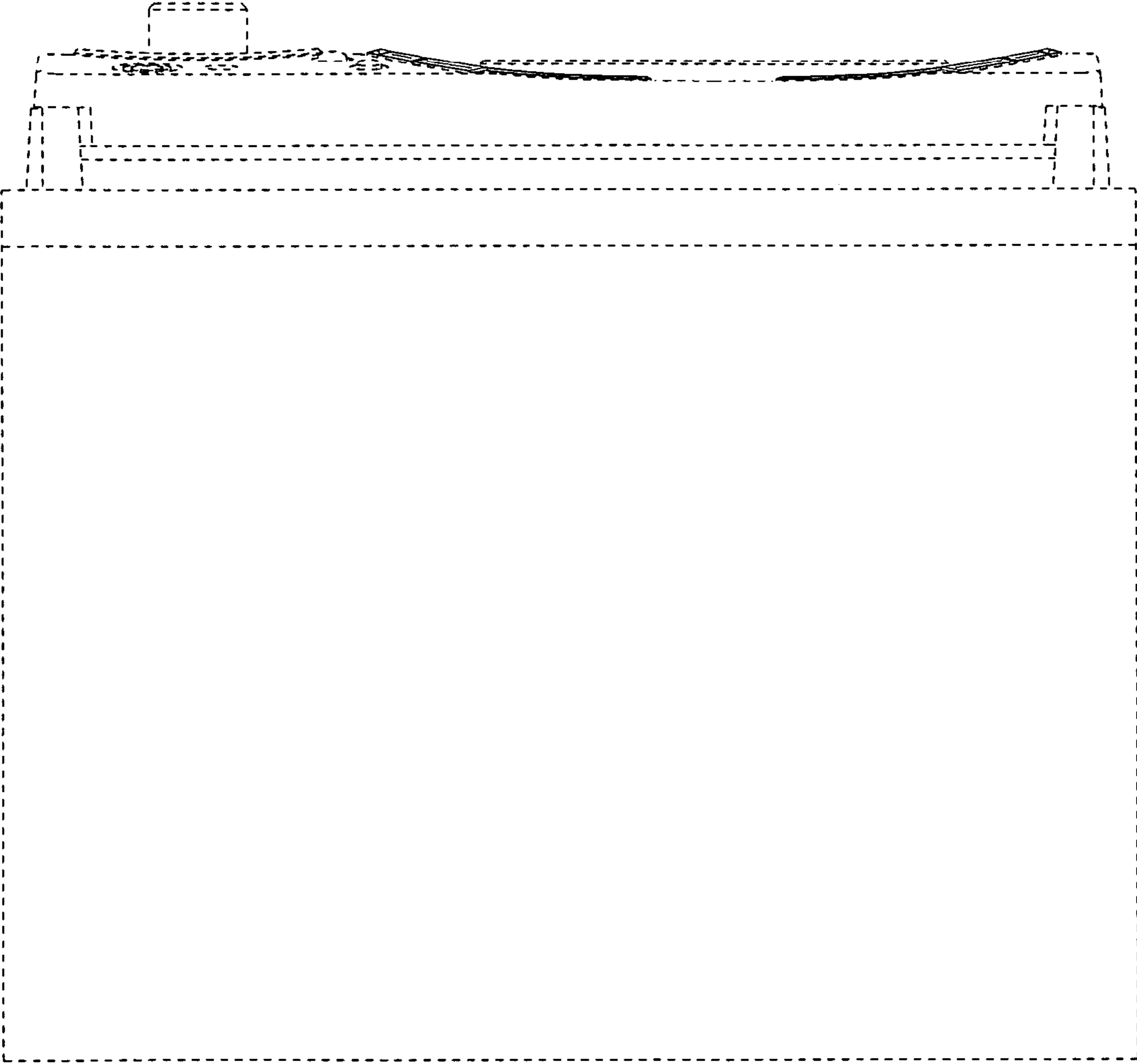


Fig. 7

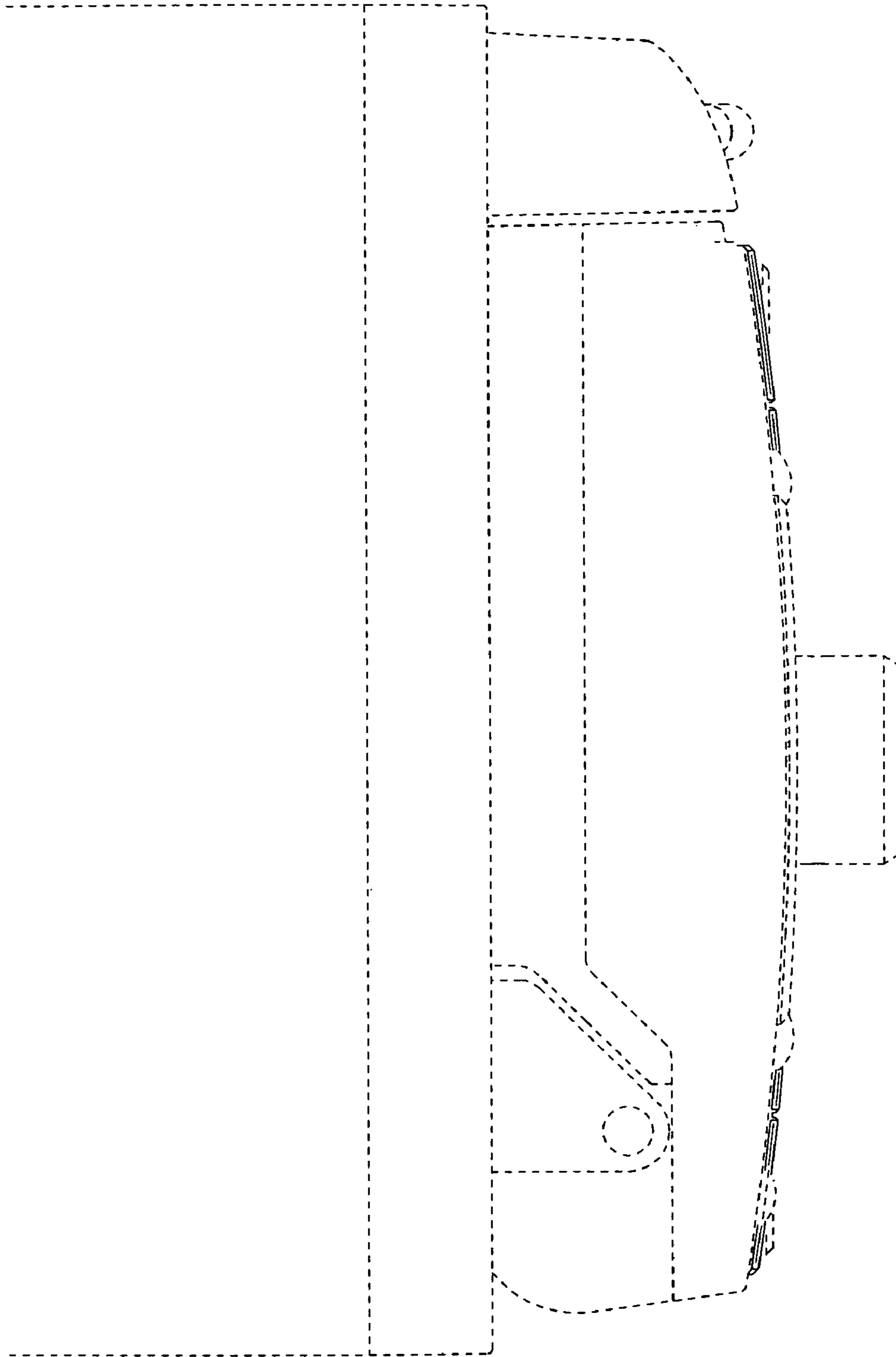


Fig.8

