



US00D585432S

(12) **United States Design Patent**
Baker

(10) **Patent No.:** **US D585,432 S**

(45) **Date of Patent:** **** Jan. 27, 2009**

(54) **HEADPHONE CABLE IRON CROSS**

(76) **Inventor:** **Dale A. Baker**, 1393 E. Highland Rd.,
Twinsburg, OH (US) 44087

(**) **Term:** **14 Years**

(21) **Appl. No.:** **29/303,878**

(22) **Filed:** **Feb. 19, 2008**

(51) **LOC (9) Cl.** **14-01**

(52) **U.S. Cl.** **D14/223**

(58) **Field of Classification Search** D14/168,
D14/188, 192, 205, 206, 223, 226, 356, 433,
D14/240; 181/129-130; 379/430, 431, 433,
379/420.04; 381/330, 370, 380, 381, 388,
381/373; D9/667; D99/27, 23, 37; D13/133,
D13/146, 147, 168; D11/80, 81, 90, 133,
D11/175, 223, 202, 200; 99/380

See application file for complete search history.

(56) **References Cited**

U.S. PATENT DOCUMENTS

694,745	A	*	3/1902	Hall	99/380
D119,993	S	*	4/1940	Brandt et al.	D99/27
3,183,612	A	*	5/1965	Romaine	40/1.5
D215,200	S	*	9/1969	Dobyns	D9/667
D430,139	S	*	8/2000	Peters et al.	D14/205
D466,434	S	*	12/2002	Yacoubian	D11/90
D473,545	S	*	4/2003	Rivera	D14/223

D488,159	S	*	4/2004	Chung	D14/433
D570,823	S	*	6/2008	Duarte et al.	D14/205
D574,368	S	*	8/2008	Chapman	D14/225

* cited by examiner

Primary Examiner—Paula Greene

(74) *Attorney, Agent, or Firm*—Larson & Larson; Frank Liebenow

(57) **CLAIM**

The ornamental design for a headphone cable iron cross, as shown and described.

DESCRIPTION

FIG. 1 is a front elevation view of a headphone cable iron cross showing my novel design;

FIG. 2 is a rear elevation view thereof;

FIG. 3 is a right side elevation view thereof;

FIG. 4 is a left side elevation view thereof;

FIG. 5 is a top plan view thereof;

FIG. 6 is a bottom plan view thereof; and,

FIG. 7 is a perspective view of a headphone cable iron cross of the present invention.

The broken lines are included for the purpose of illustration and form no part of the claimed design.

1 Claim, 3 Drawing Sheets

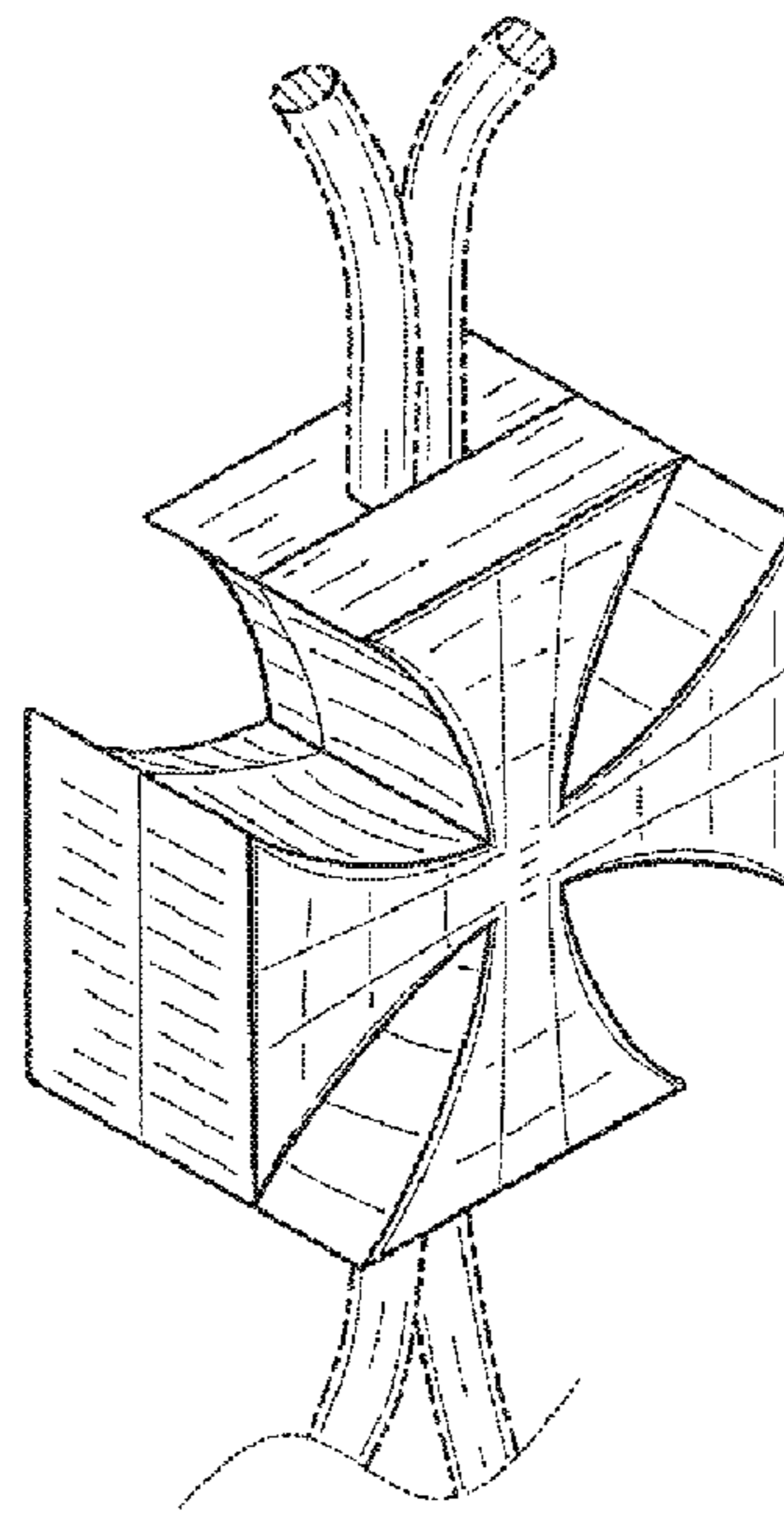
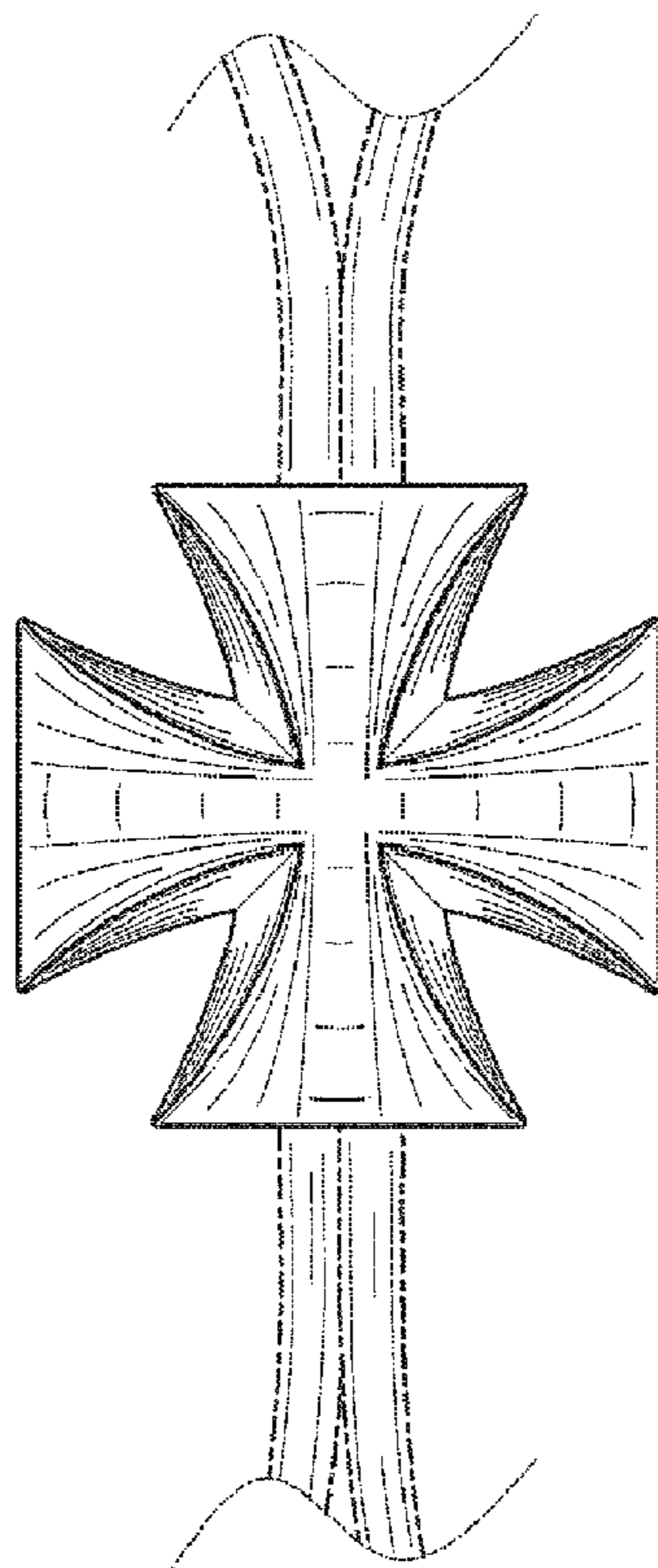


FIG. 1

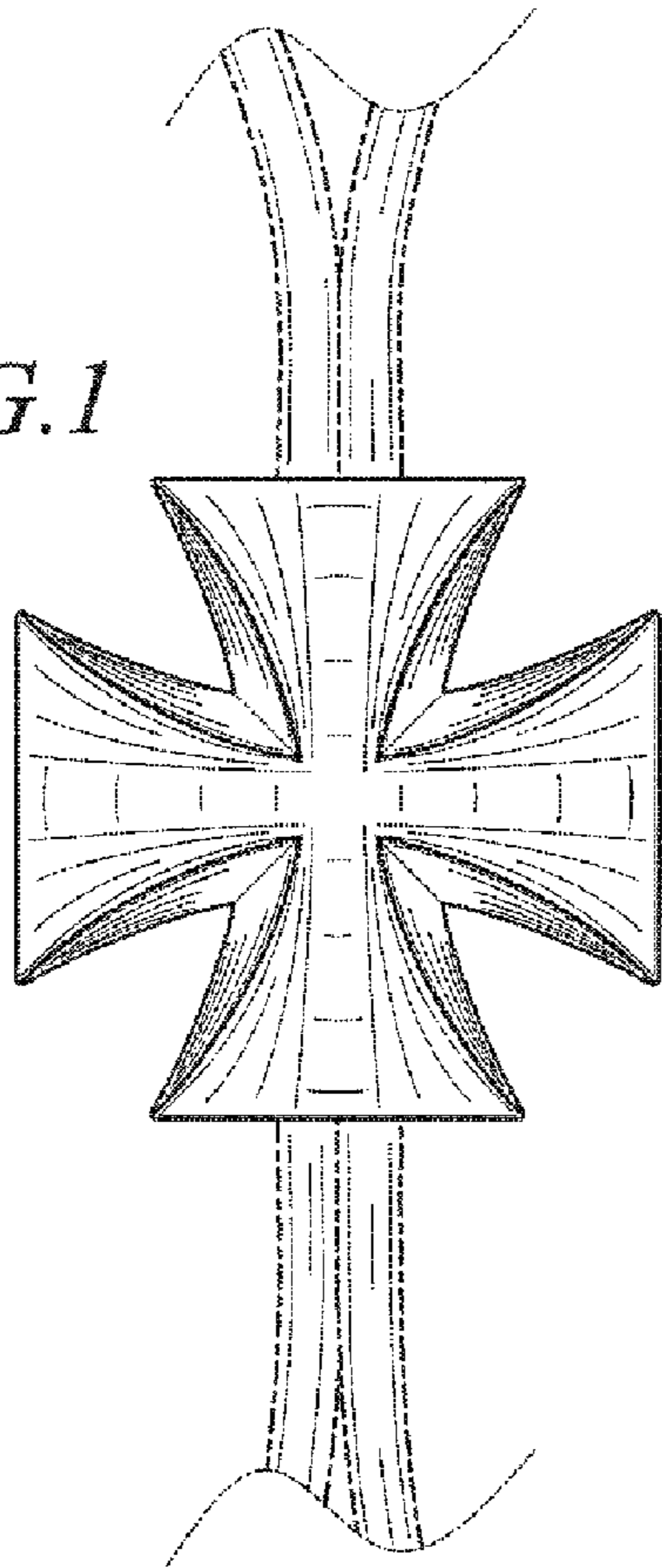


FIG. 2

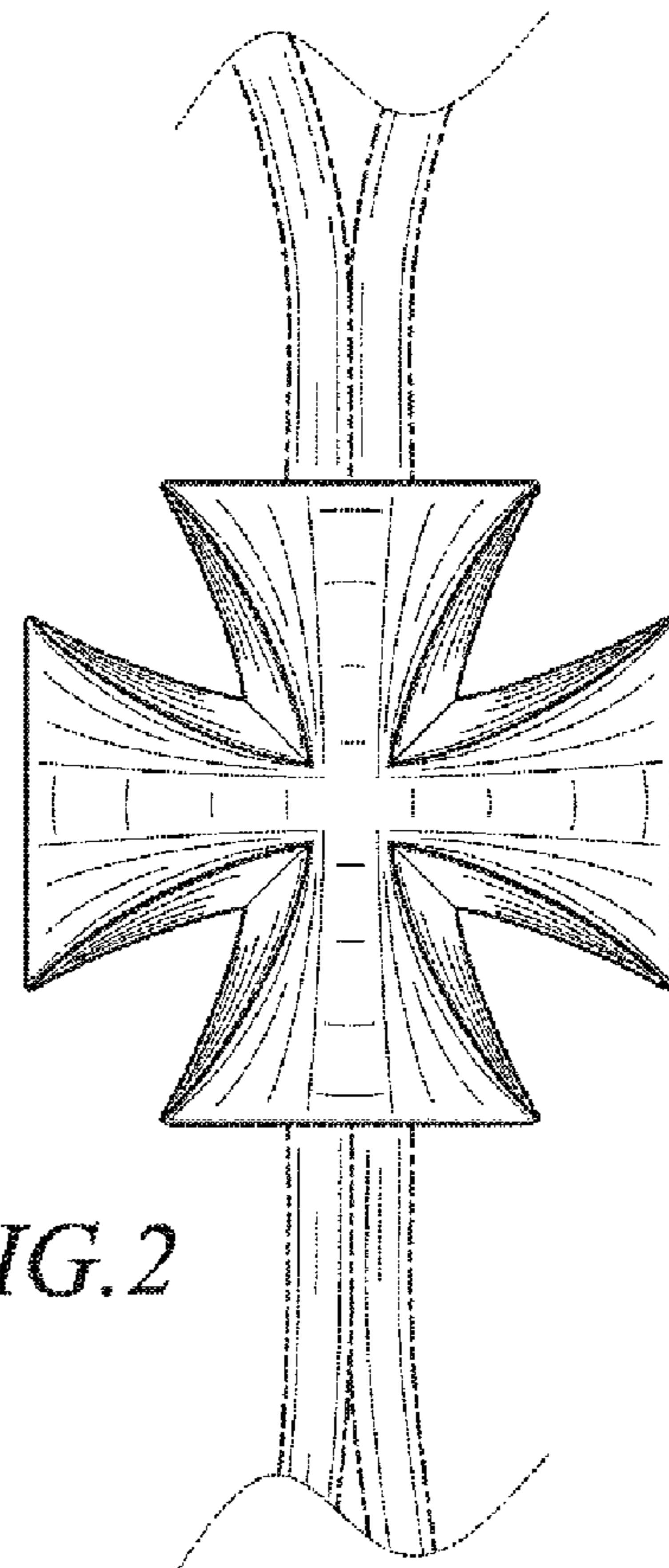


FIG. 3

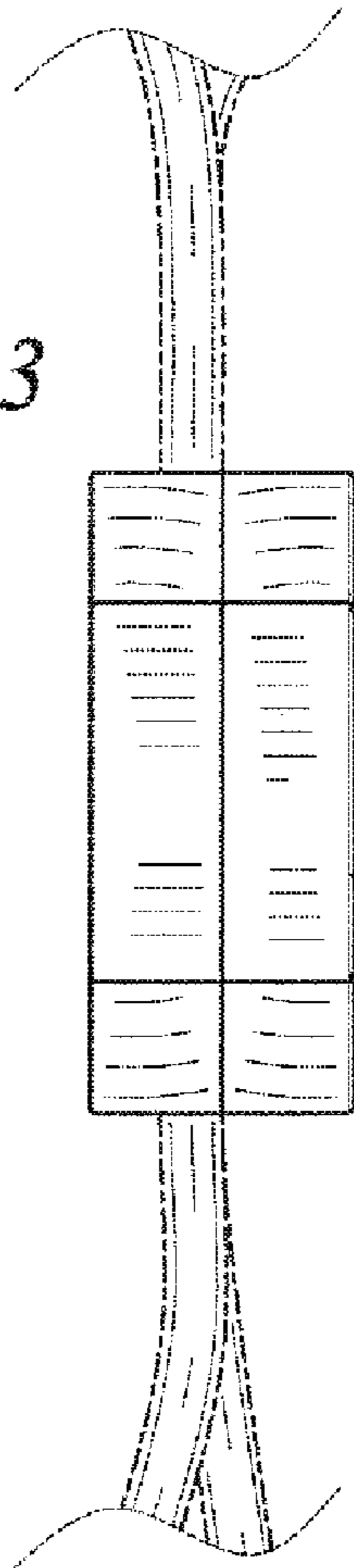


FIG. 4

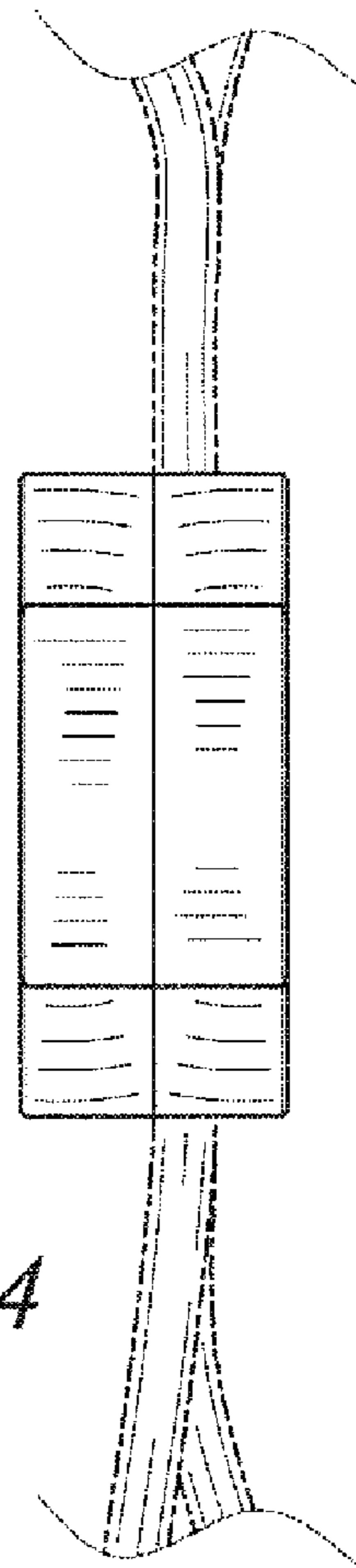


FIG. 5

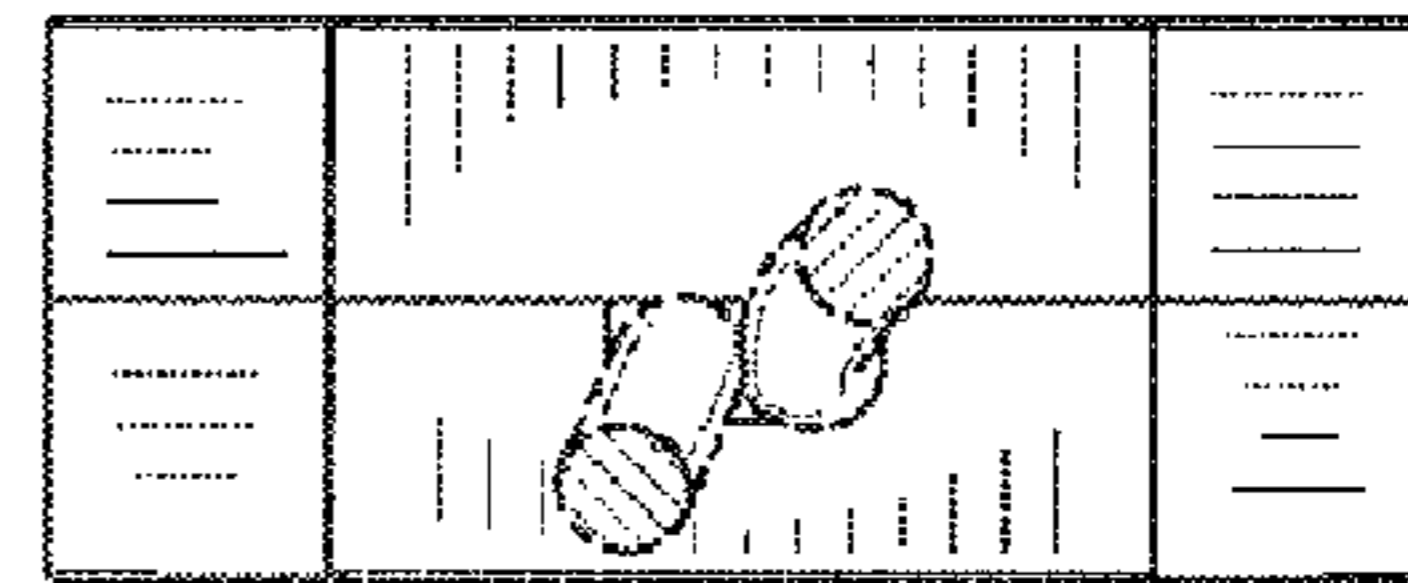
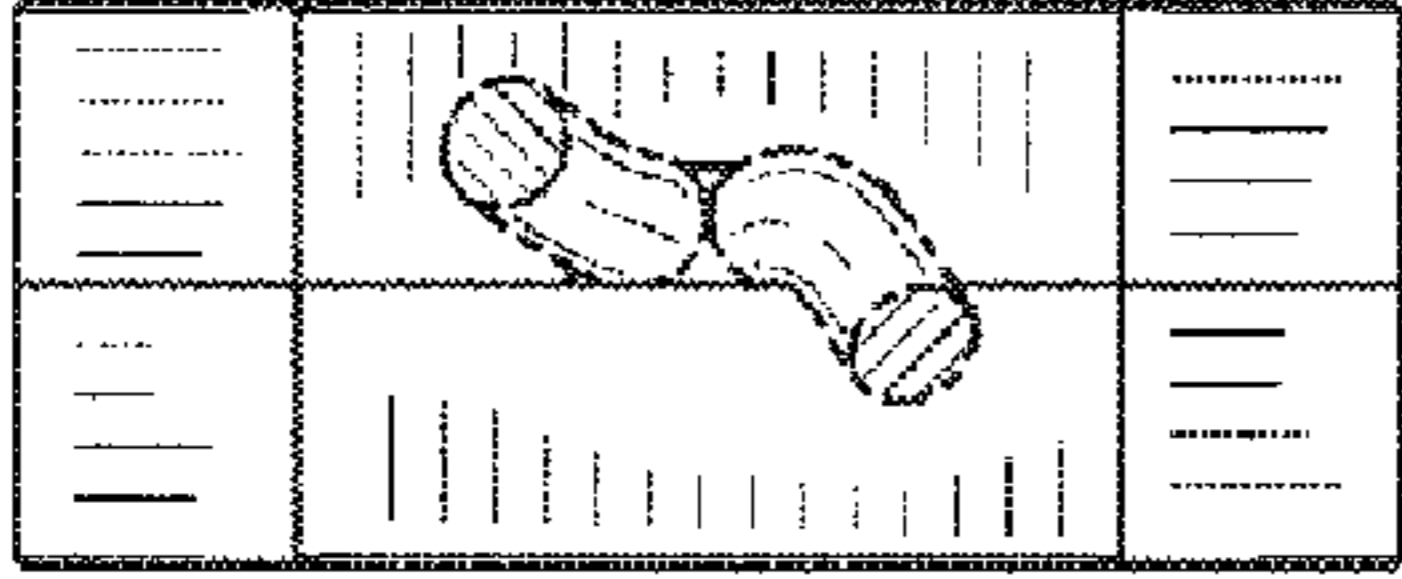


FIG. 6

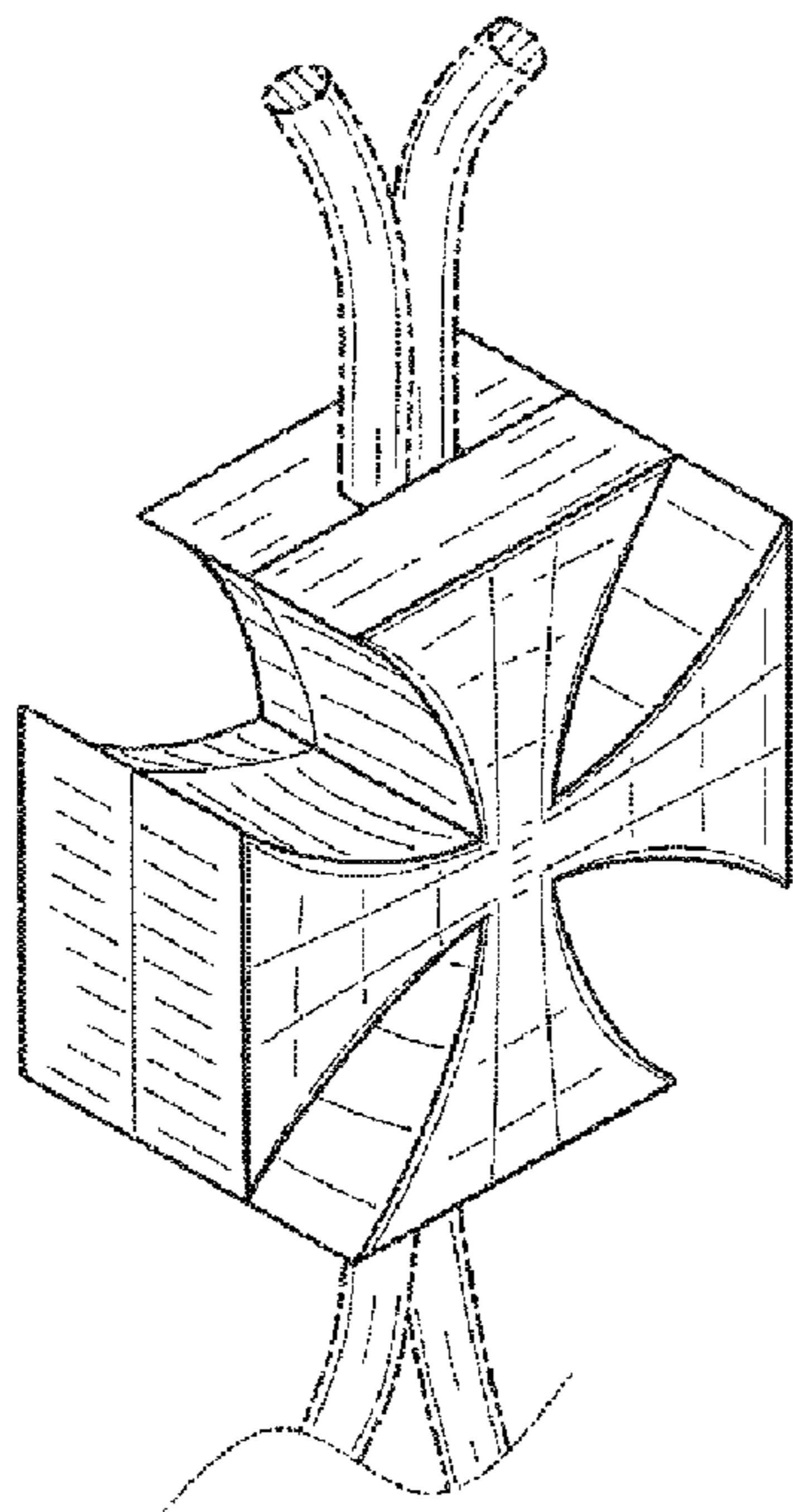


FIG. 7