



US00D585431S

(12) **United States Design Patent**  
**Bradford et al.**

(10) **Patent No.:** **US D585,431 S**

(45) **Date of Patent:** **\*\* Jan. 27, 2009**

(54) **HEADSET**

(75) Inventors: **Simon Bradford**, Espoo (FI); **Sami Lehtovaara**, Masku (FI)

(73) Assignee: **Nokia Corporation**, Espoo (FI)

(\*\*) Term: **14 Years**

(21) Appl. No.: **29/298,925**

(22) Filed: **Dec. 14, 2007**

(51) **LOC (9) Cl.** ..... **14-01**

(52) **U.S. Cl.** ..... **D14/223; D14/205**

(58) **Field of Classification Search** ..... D14/205,  
D14/206, 223; 181/129–130; 381/380, 381,  
381/378, 379, 374, 376, 377; 455/575.1,  
455/575.2, 351; 379/430, 433.01, 433.03,  
379/433.04, 433.11; D24/174

See application file for complete search history.

(56) **References Cited**

**U.S. PATENT DOCUMENTS**

D542,267	S	*	5/2007	Cha et al.	.....	D14/206
D552,602	S	*	10/2007	Sade et al.	.....	D14/223
D553,613	S	*	10/2007	Sade et al.	.....	D14/223
D559,812	S	*	1/2008	Bradford et al.	.....	D14/138
D562,310	S	*	2/2008	Moon et al.	.....	D14/223
D566,103	S	*	4/2008	Sade et al.	.....	D14/223
D566,108	S	*	4/2008	Kan	.....	D14/223
D566,696	S	*	4/2008	Schmelling	.....	D14/223
D568,301	S	*	5/2008	Kim et al.	.....	D14/223
D573,983	S	*	7/2008	Bang et al.	.....	D14/223
D574,367	S	*	8/2008	Jaakkola et al.	.....	D14/223
D575,276	S	*	8/2008	Bradford et al.	.....	D14/223

\* cited by examiner

*Primary Examiner*—Paula Greene

(74) *Attorney, Agent, or Firm*—Banner & Witcoff, Ltd.

(57) **CLAIM**

The ornamental design for a headset, as shown and described.

**DESCRIPTION**

FIG. 1 is a front view of a headset showing our new design;

FIG. 2 is a rear view thereof;

FIG. 3 is a perspective front view thereof;

FIG. 4 is a perspective view thereof, the undisclosed portion is not part of the claimed design;

FIG. 5 is a right side view thereof;

FIG. 6 is a left side view thereof;

FIG. 7 is a bottom view thereof;

FIG. 8 is a top view thereof;

FIG. 9 is a perspective rear view of the headset with an ear-loop in an alternative position;

FIG. 10 is a front view of the headset of FIGS. 1–8 showing our new design illustrating the headset in isolation from the ear loop for purposes of illustration;

FIG. 11 is a rear view thereof;

FIG. 12 is a perspective front view thereof;

FIG. 13 is a perspective rear view thereof;

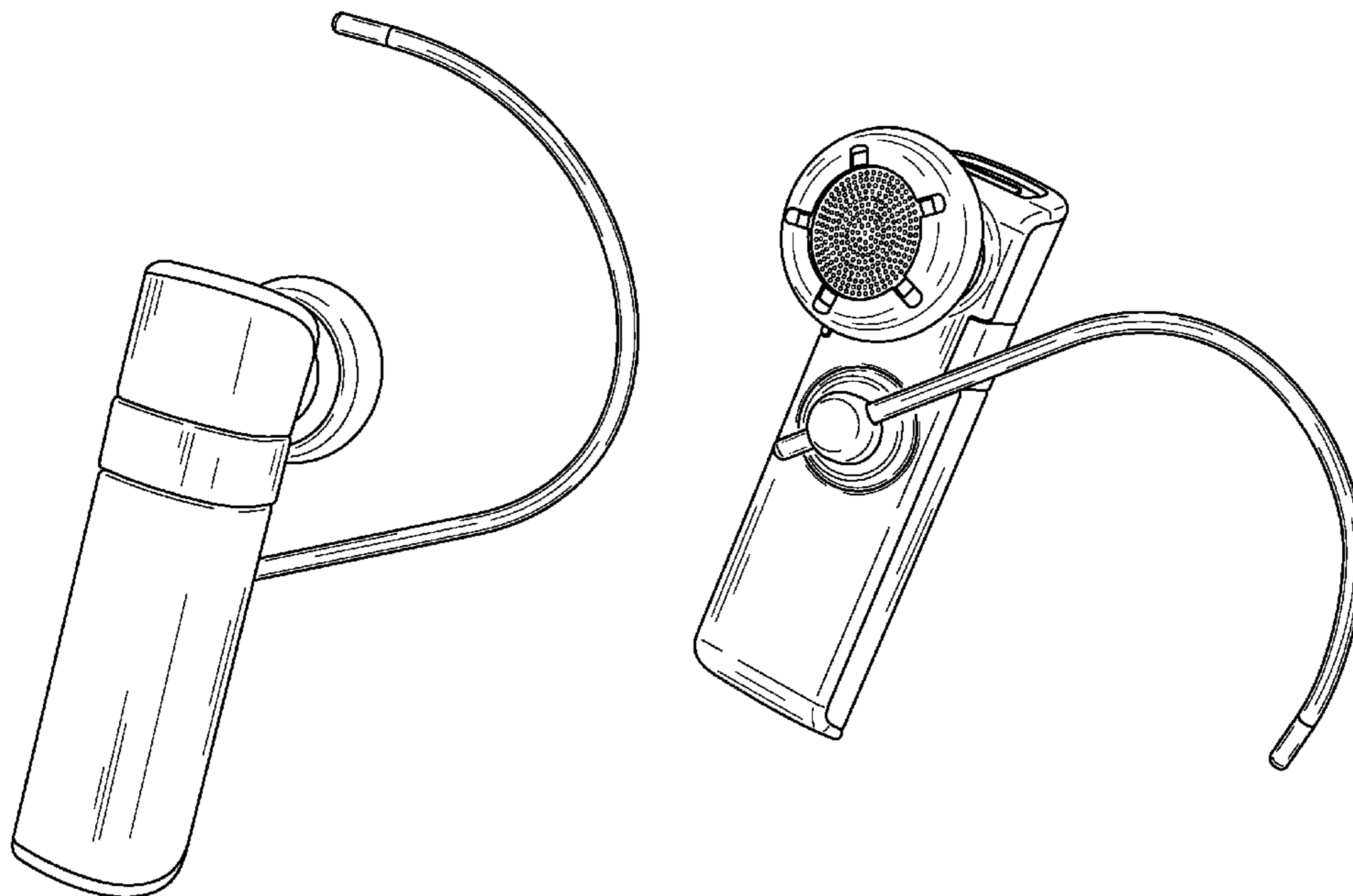
FIG. 14 is a right side view thereof;

FIG. 15 is a left side view thereof;

FIG. 16 is a top view thereof; and,

FIG. 17 is a bottom view thereof.

**1 Claim, 9 Drawing Sheets**



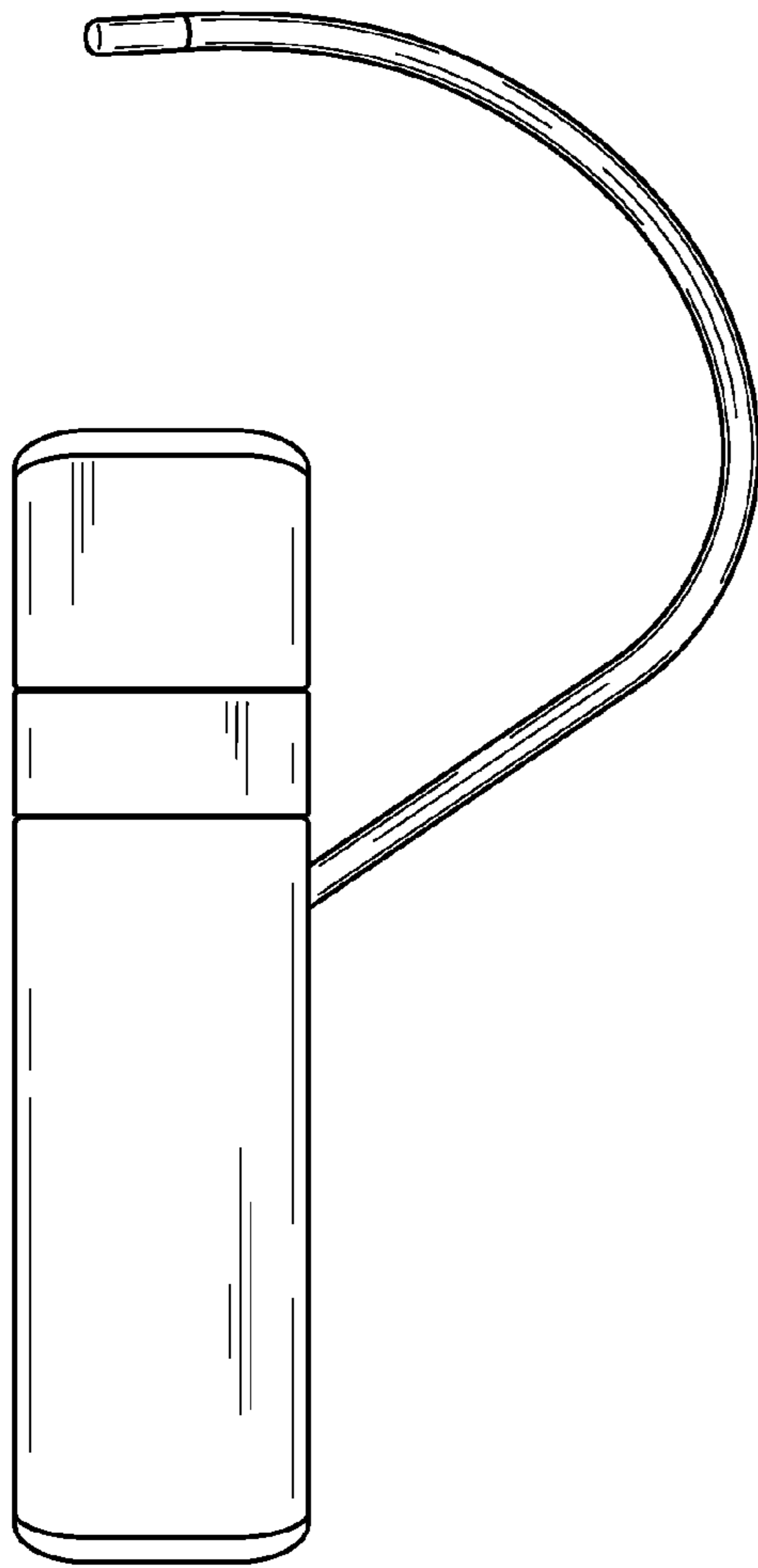


FIG. 1

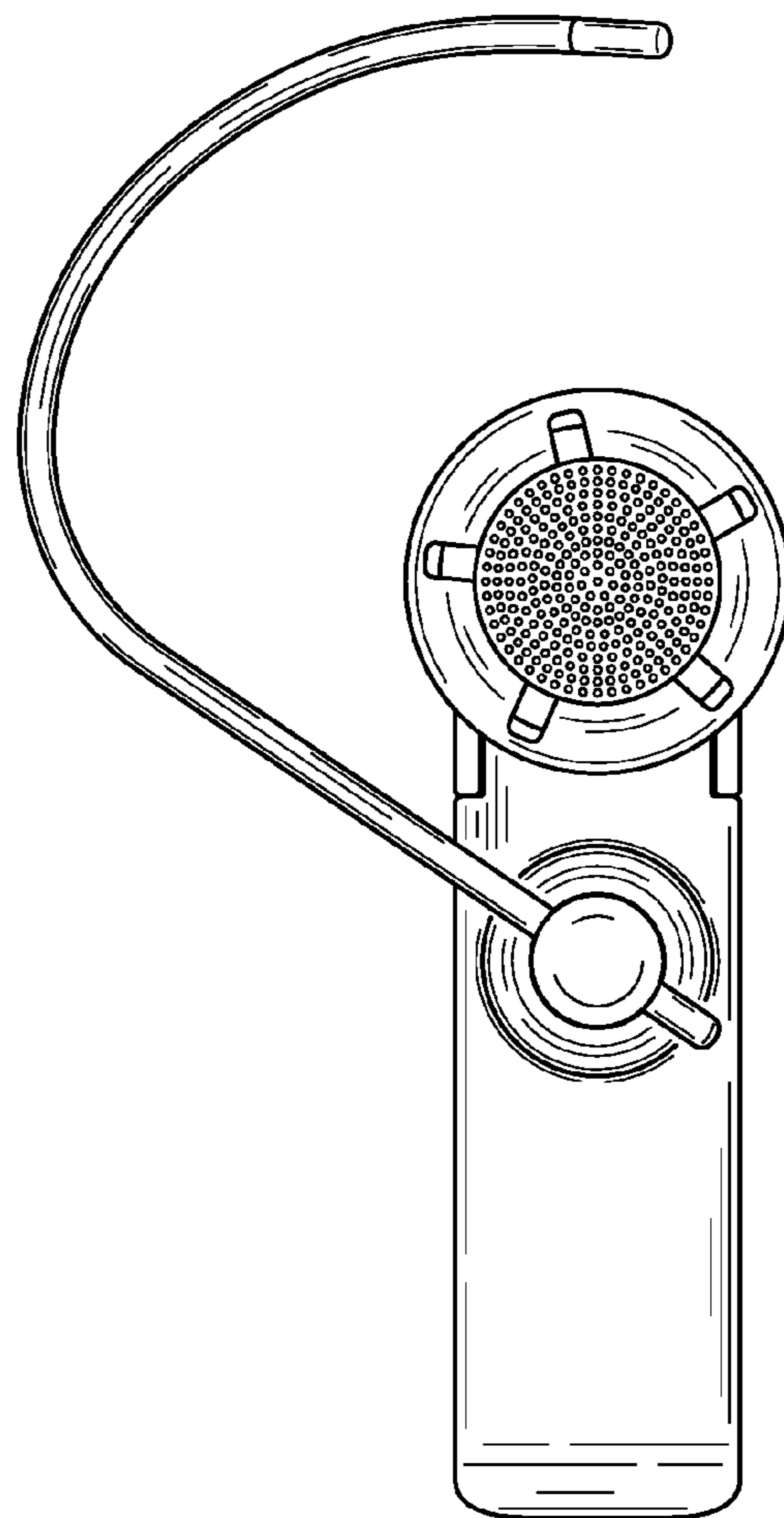


FIG. 2

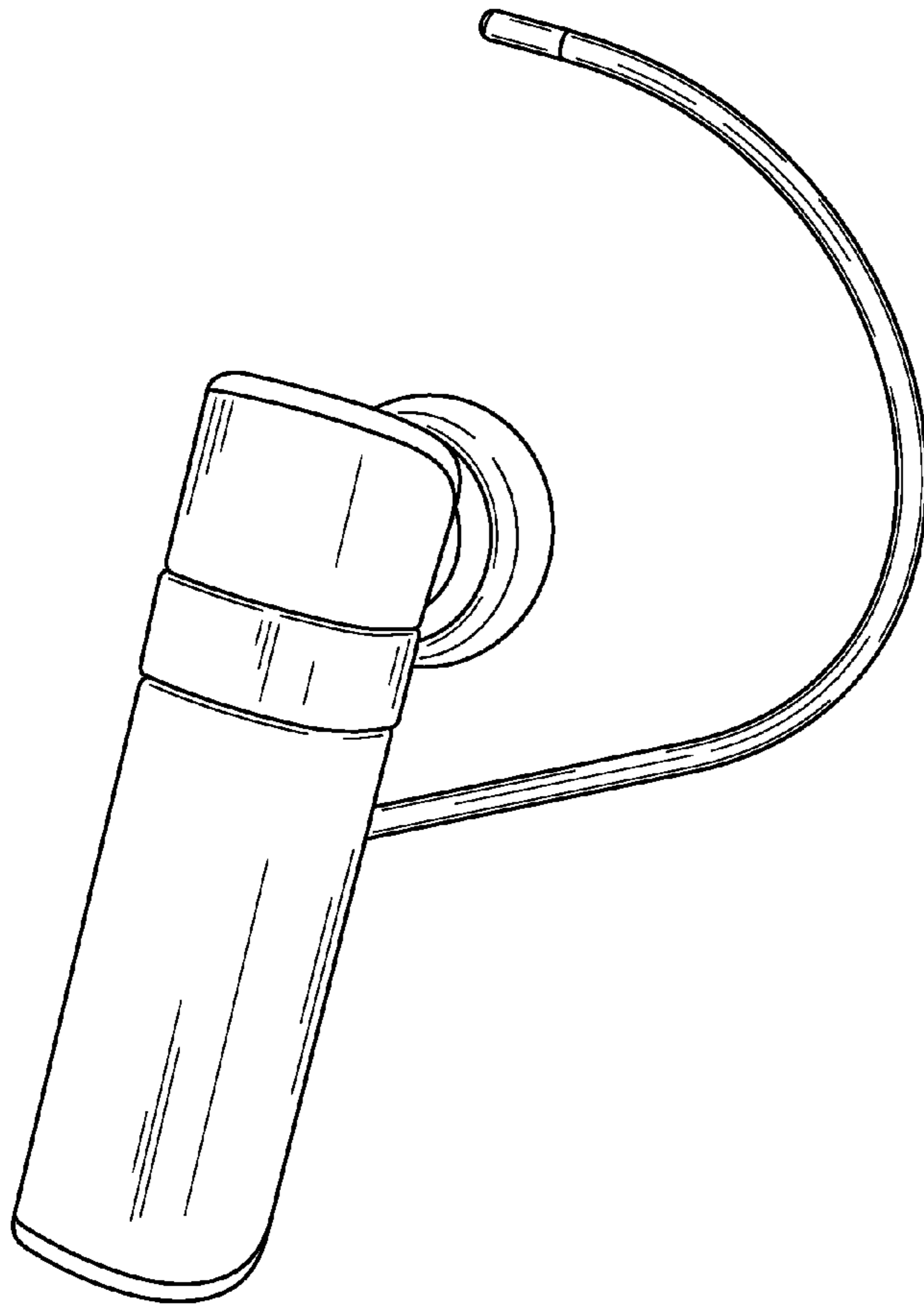


FIG. 3

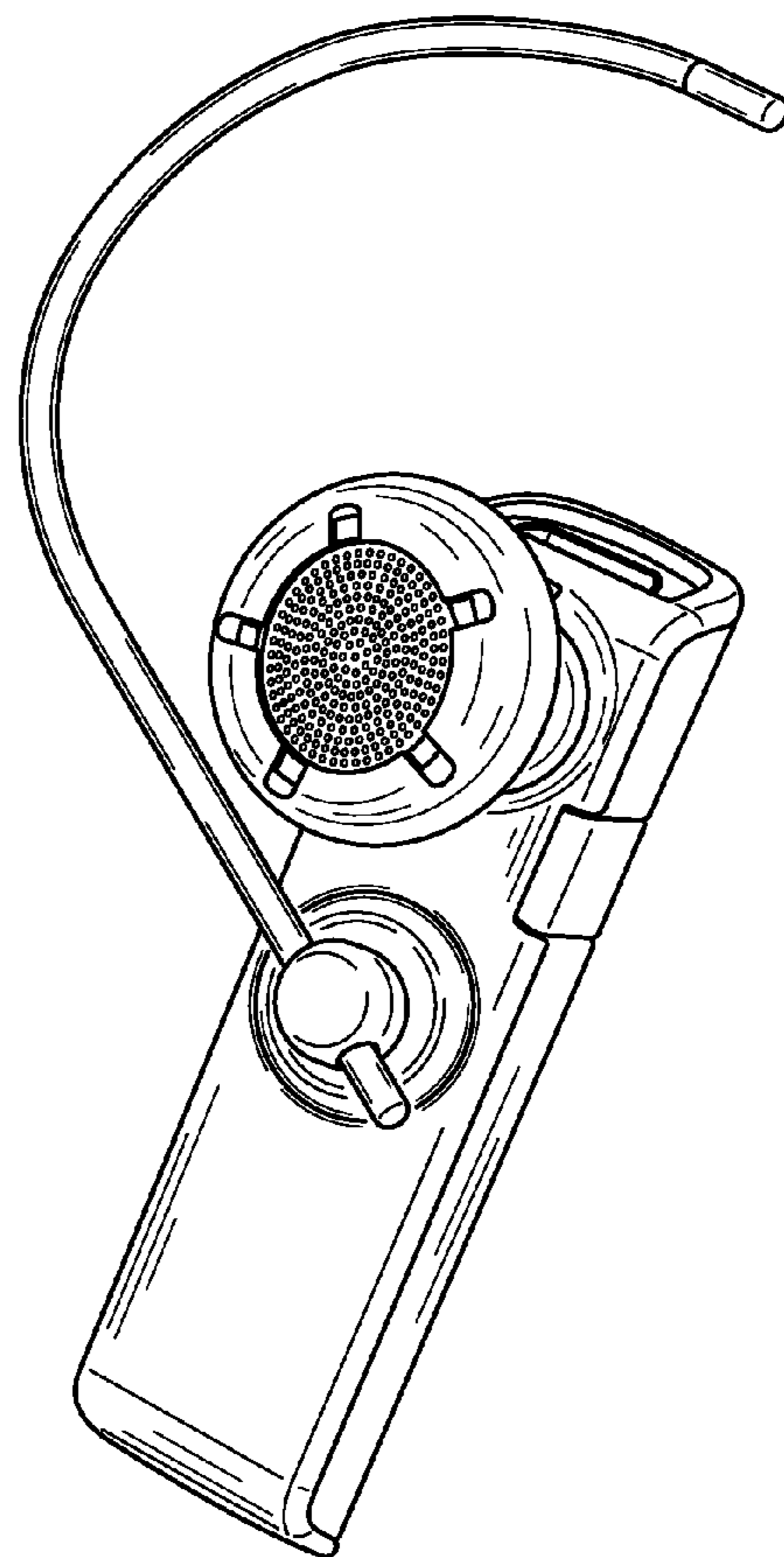


FIG. 4

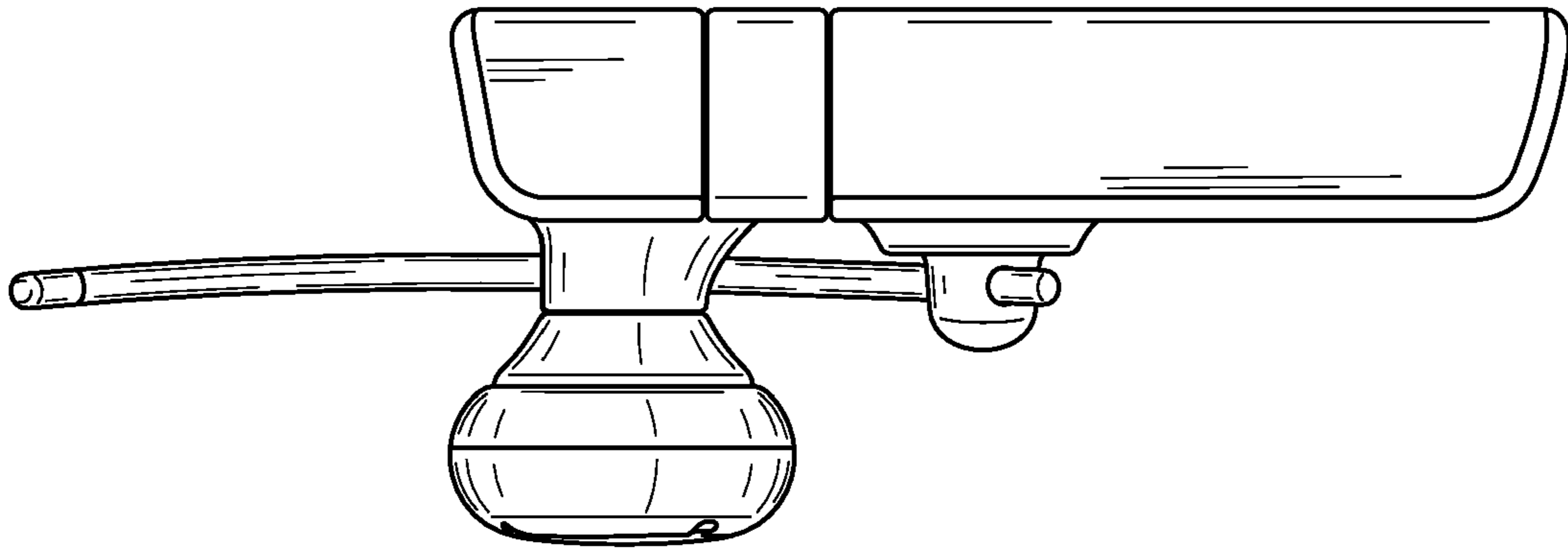


FIG. 5

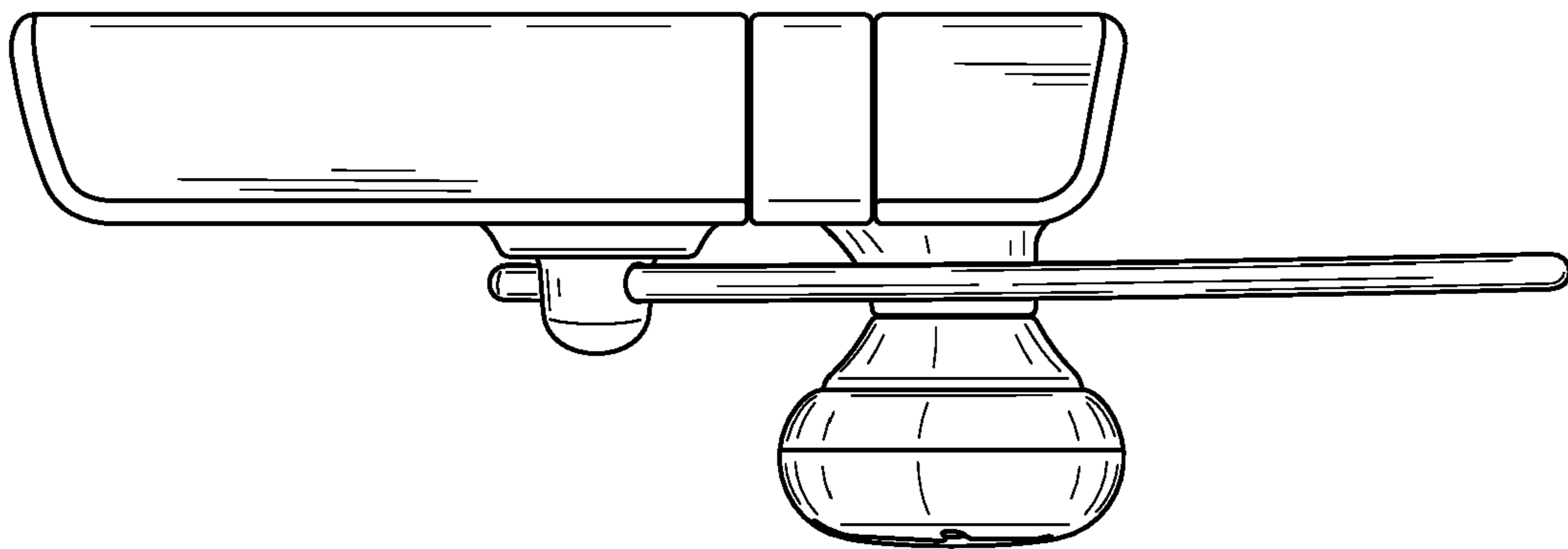


FIG. 6

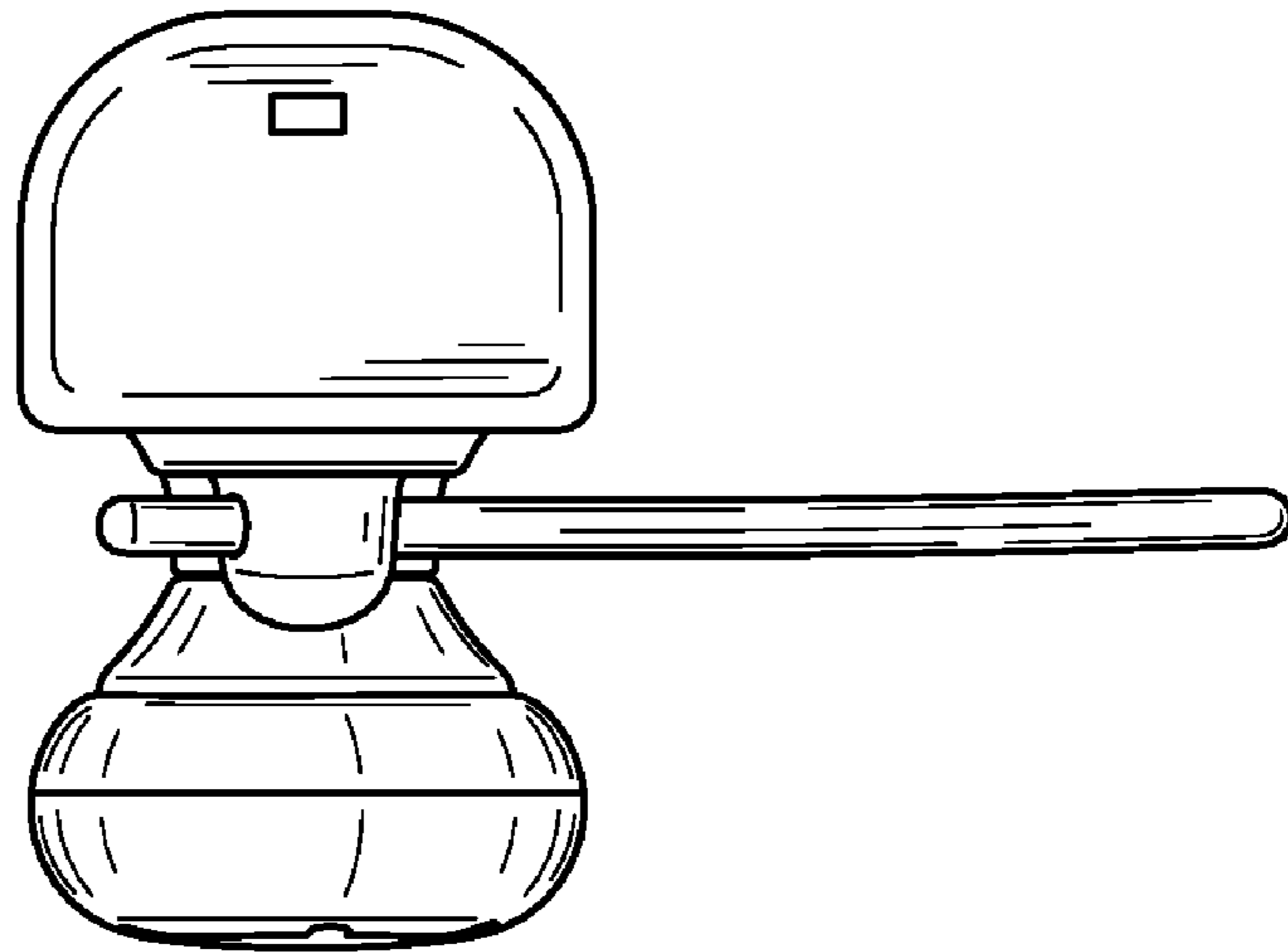


FIG. 7

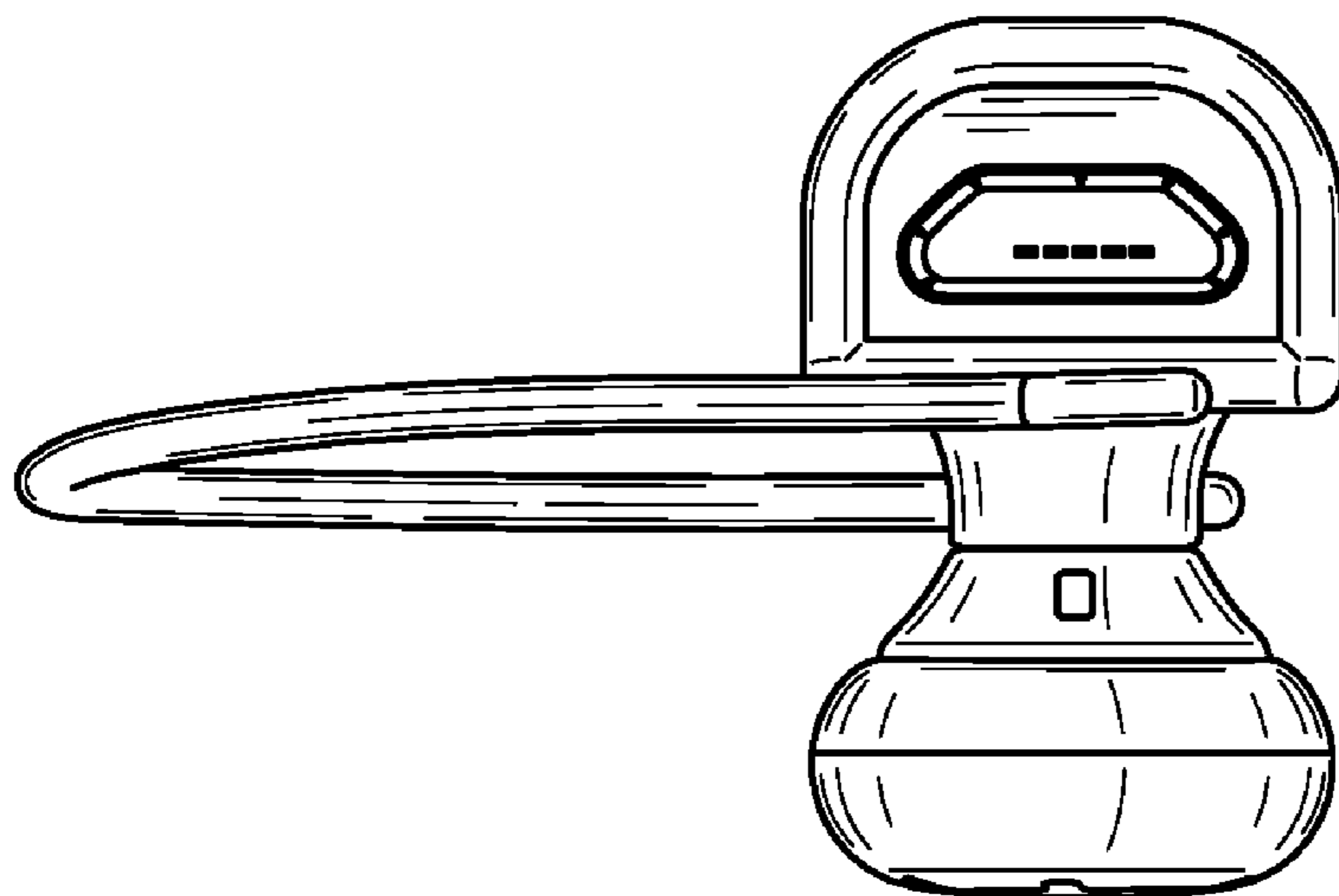


FIG. 8

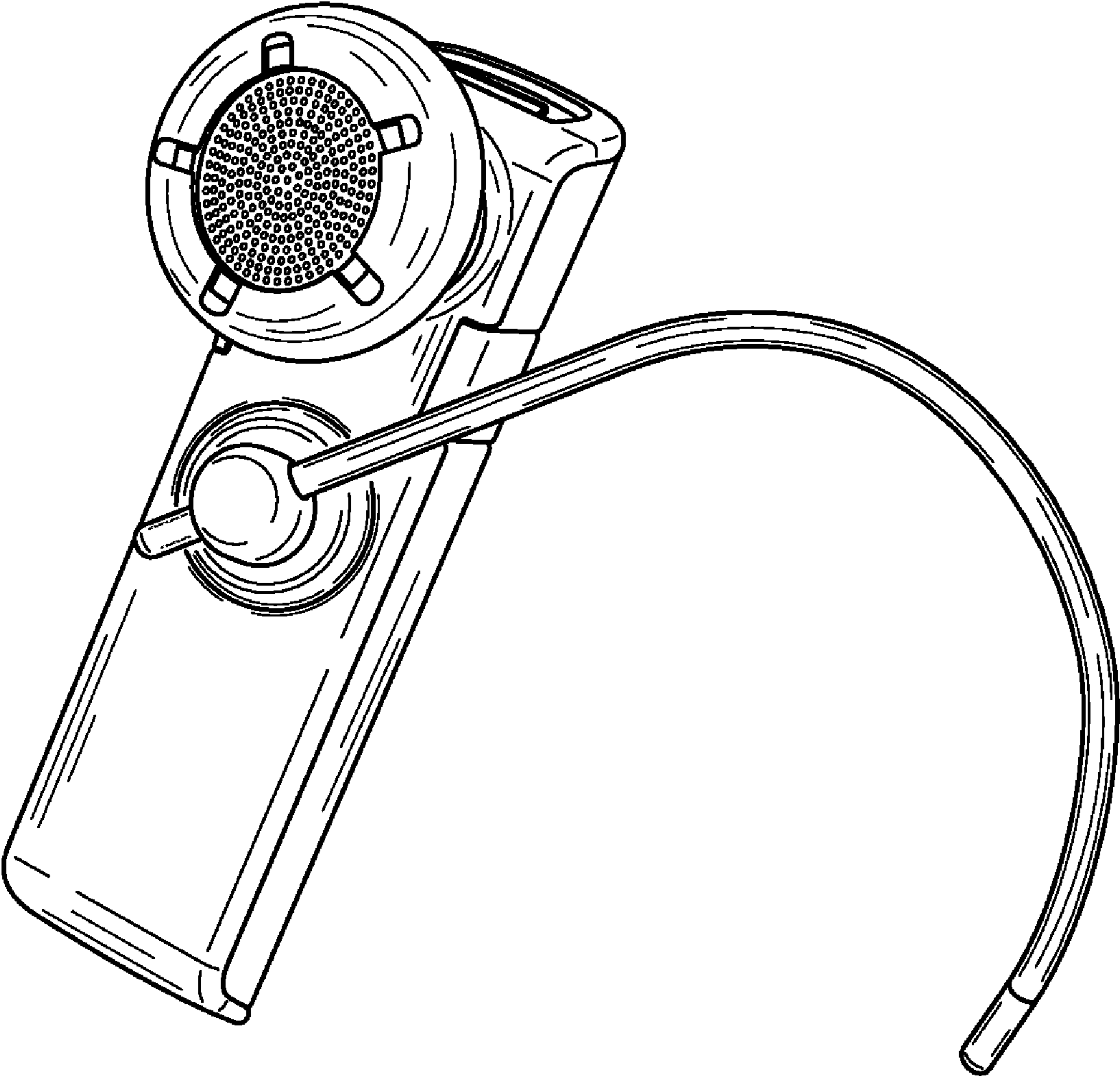


FIG. 9

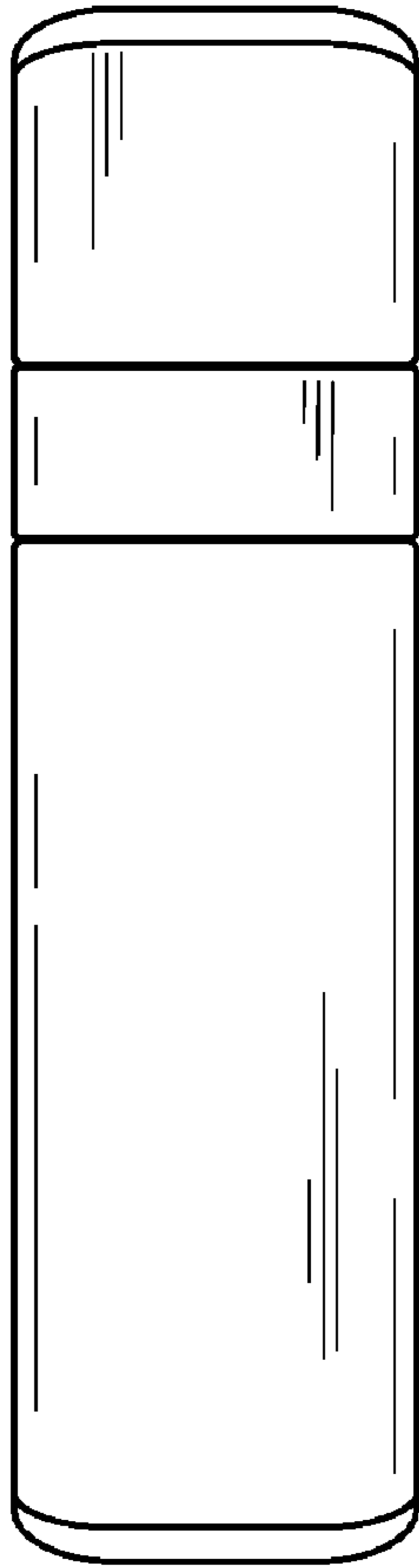


FIG. 10

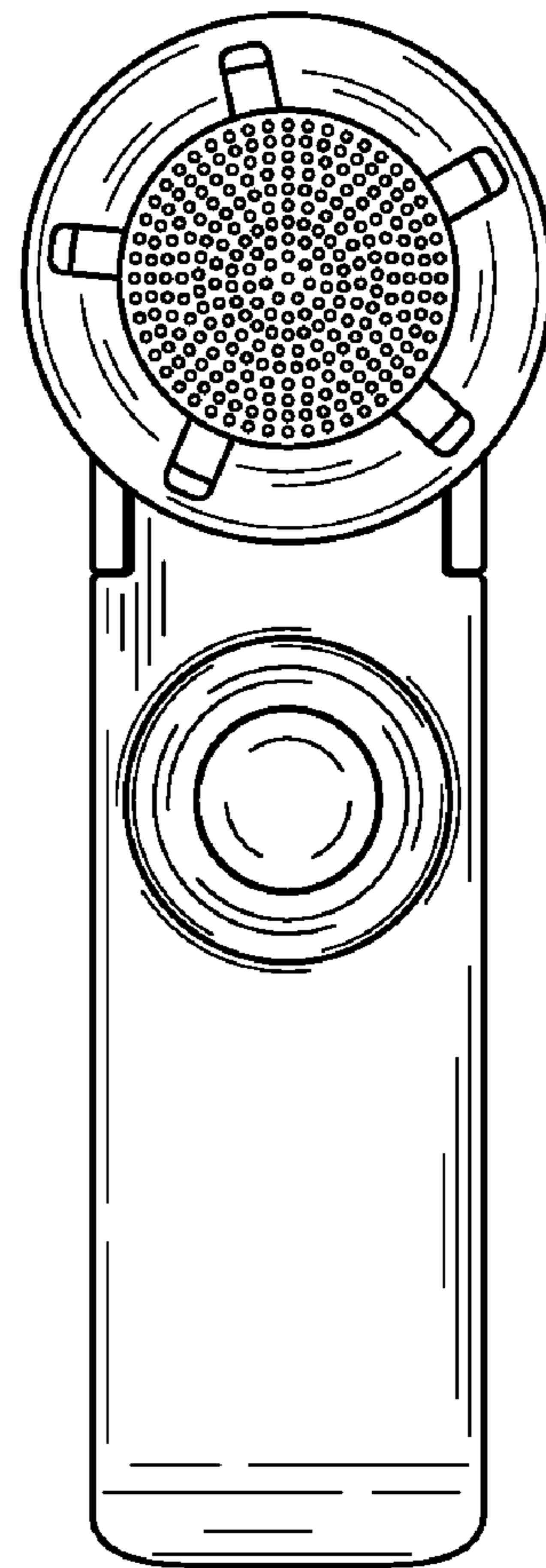


FIG. 11

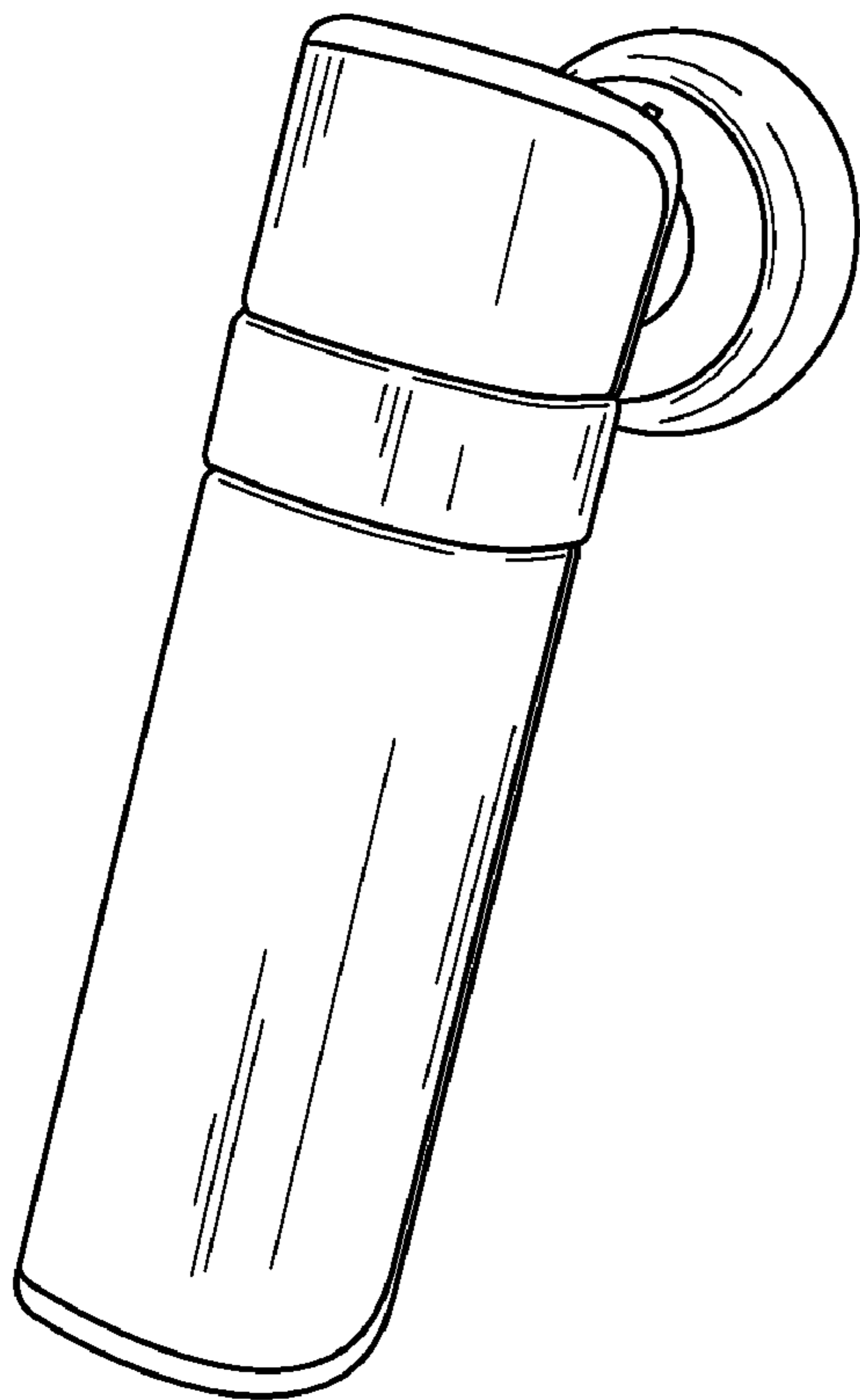


FIG. 12

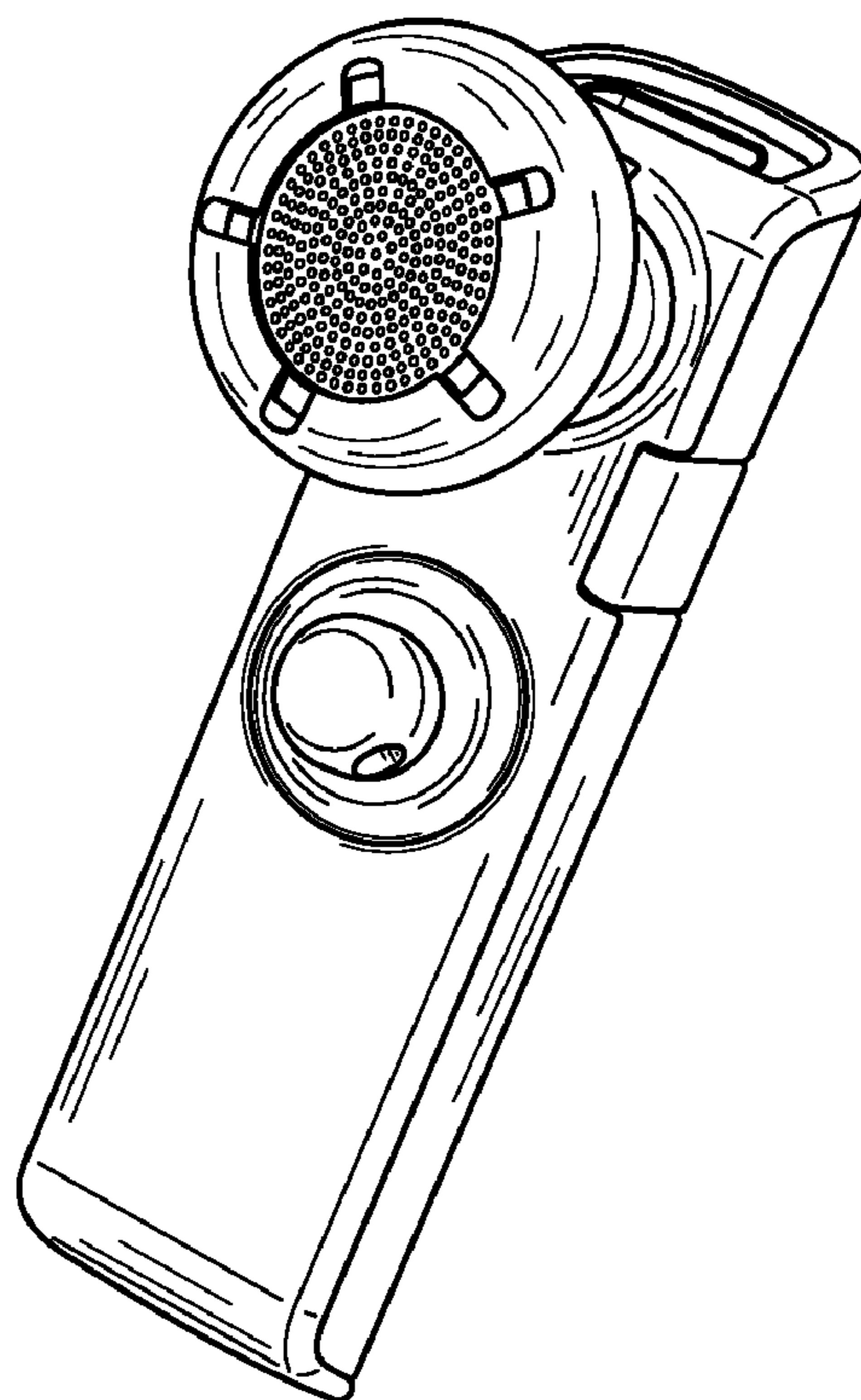


FIG. 13



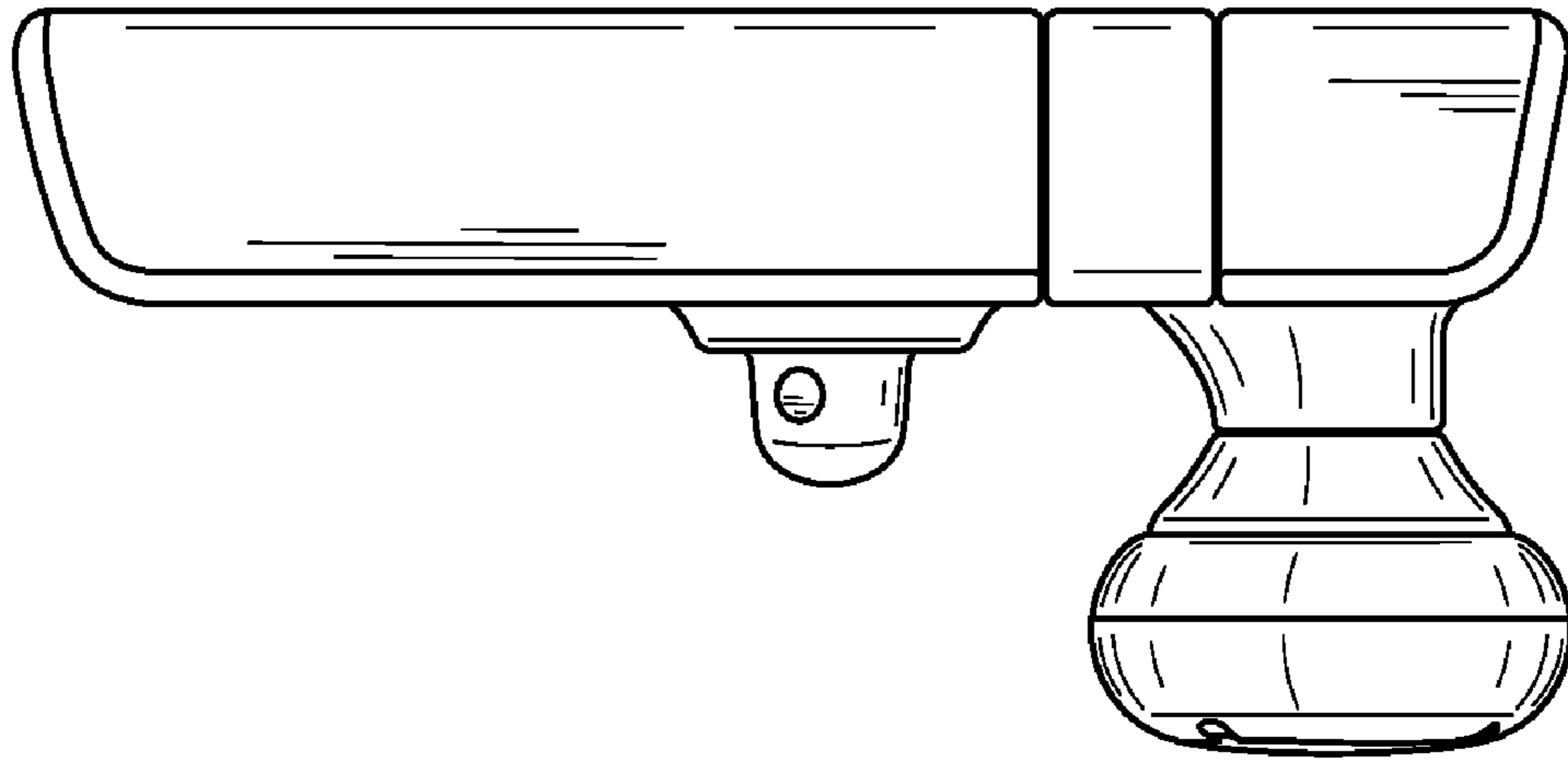


FIG. 14

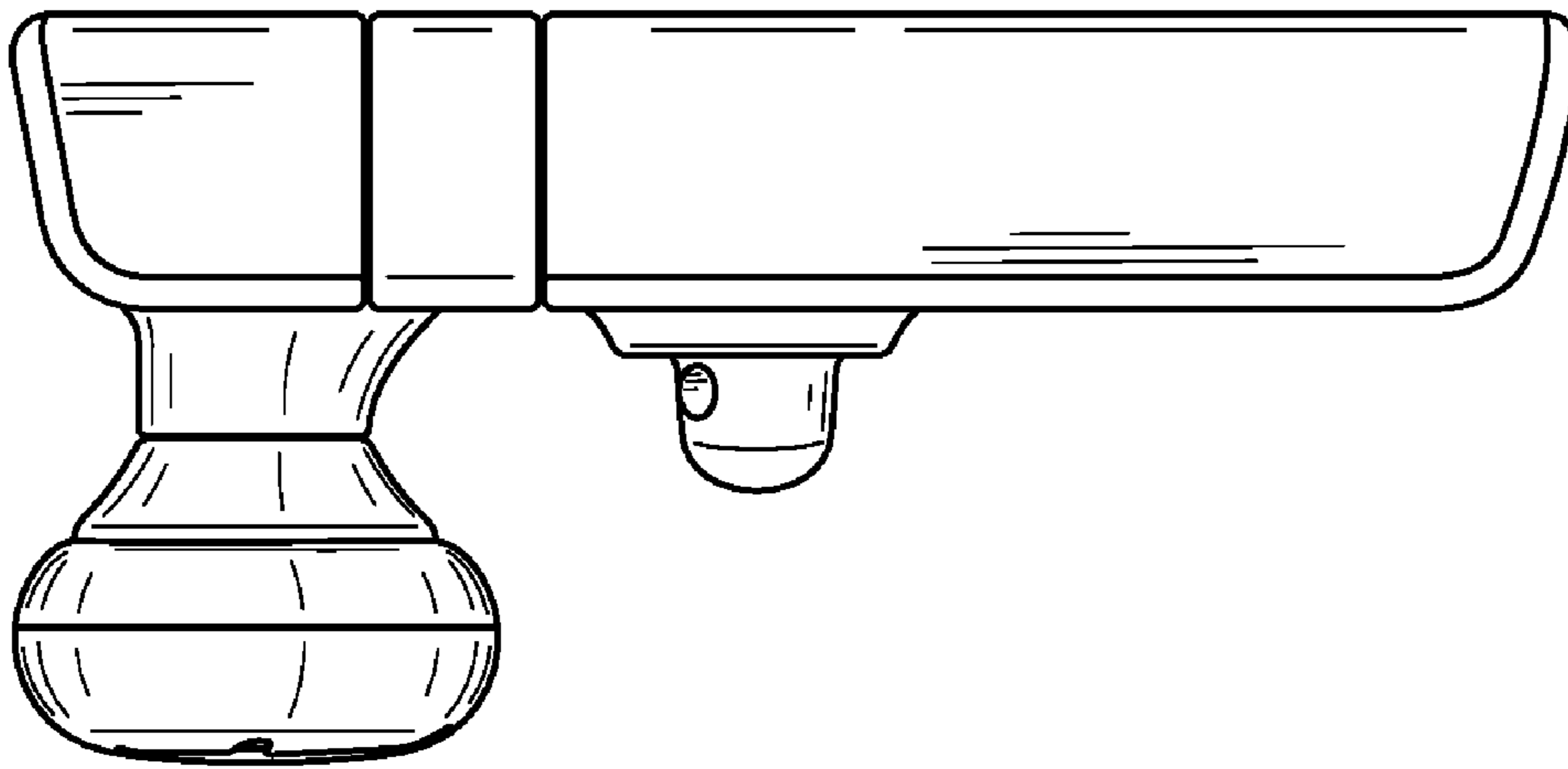


FIG. 15

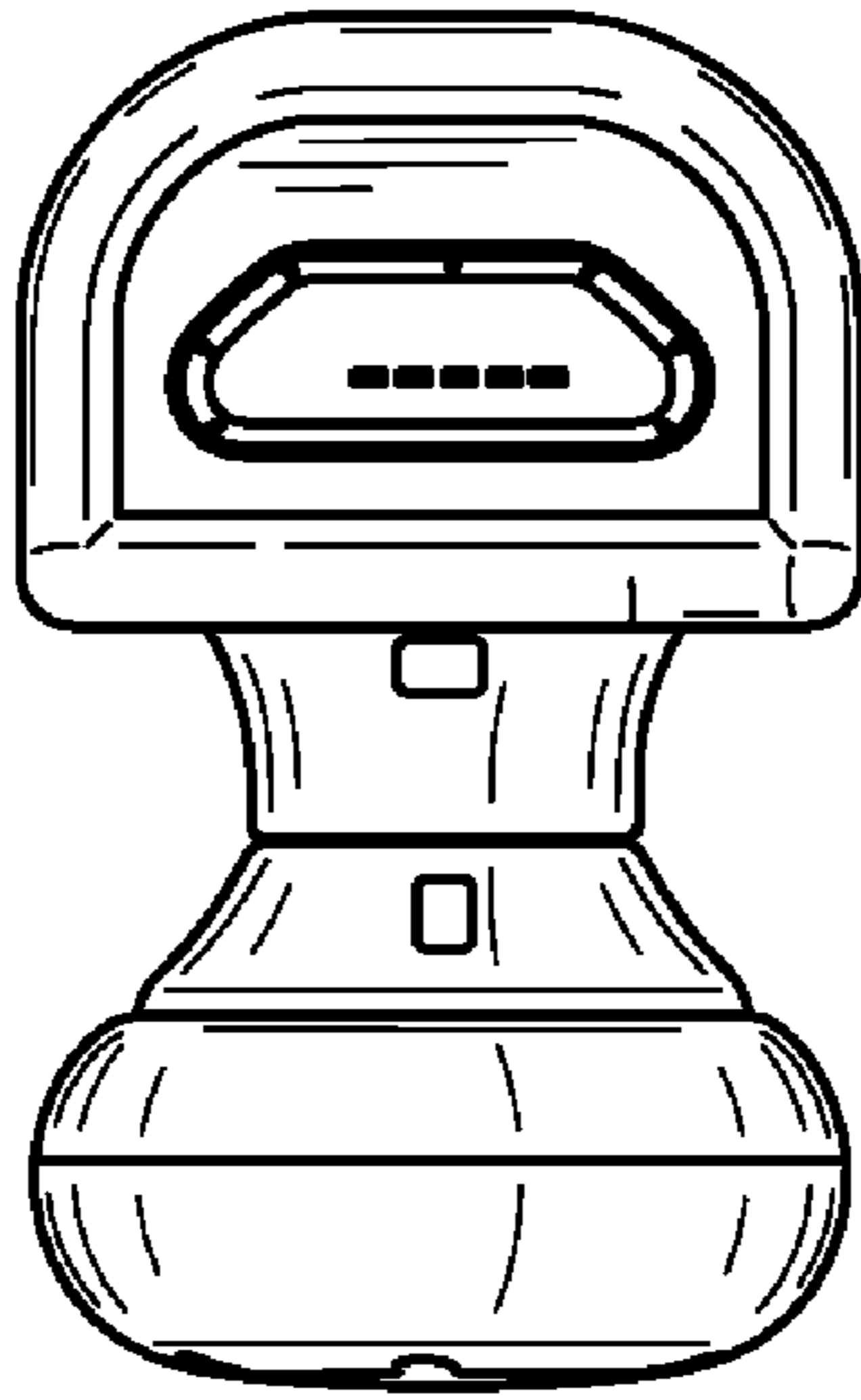


FIG. 16

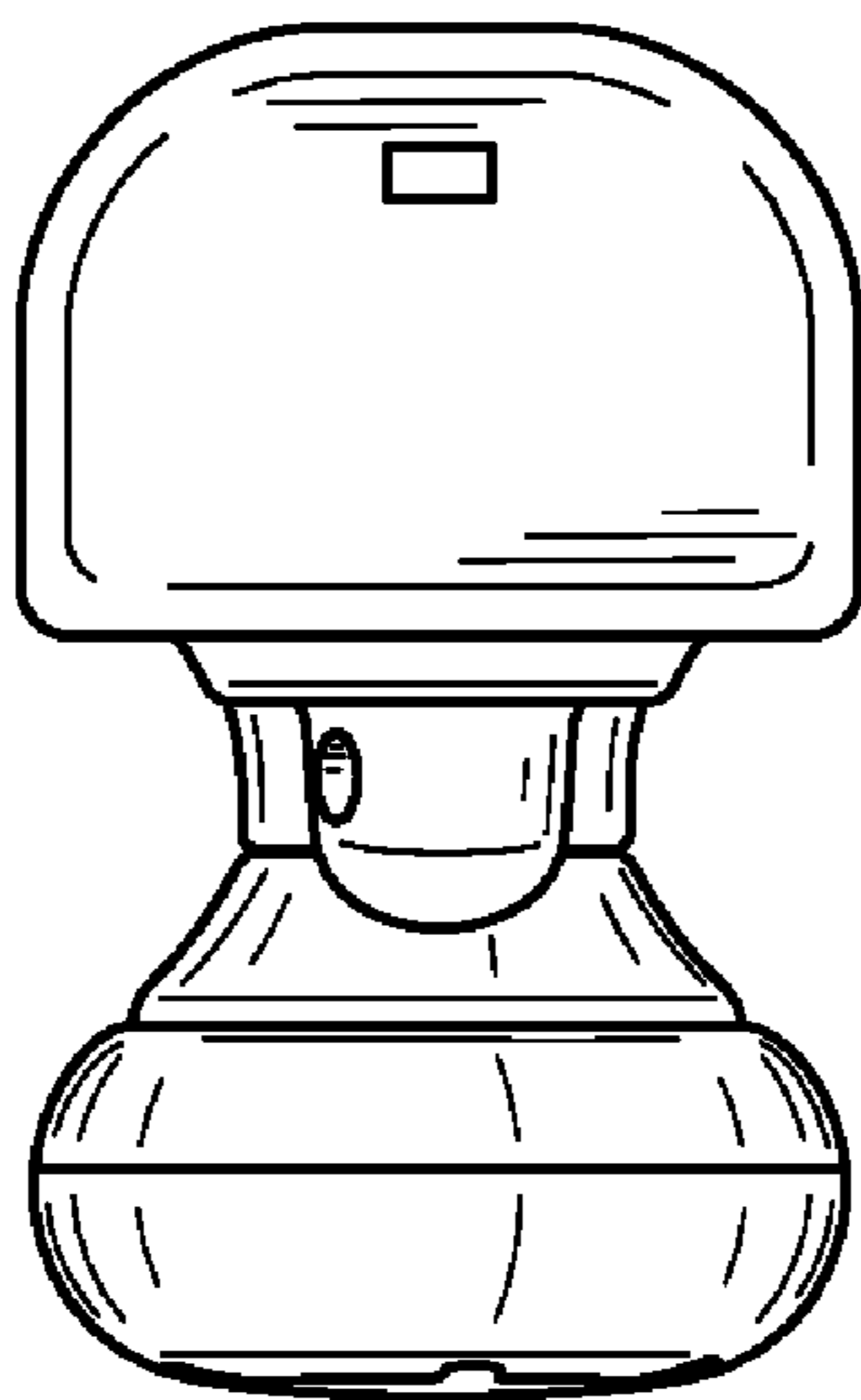


FIG. 17