



US00D585428S

(12) **United States Design Patent**
Ikeda et al.

(10) **Patent No.:** **US D585,428 S**
(45) **Date of Patent:** **** Jan. 27, 2009**

(54) **REMOTE CONTROLLER**

(75) Inventors: **John Ikeda**, Seattle, WA (US); **Carl J. Ledbetter**, Mercer Island, WA (US); **John Dan Mabry**, Seattle, WA (US)

(73) Assignee: **Microsoft Corporation**, Redmond, WA (US)

(**) Term: **14 Years**

(21) Appl. No.: **29/248,482**

(22) Filed: **Aug. 17, 2006**

(51) **LOC (9) Cl.** **14-03**

(52) **U.S. Cl.** **D14/218; D13/168**

(58) **Field of Classification Search** D14/218,
D14/455, 138; D13/168; D21/566; D10/104,
D10/106; 345/169; 348/14.05, 114, 211.99,
348/734; 340/825.24, 825.69; 341/22; 455/92,
455/95, 128, 151.1–151.4, 352, 355, FOR. 121;
700/65

See application file for complete search history.

(56) **References Cited**

U.S. PATENT DOCUMENTS

D314,964 S *	2/1991	Chung	D14/192
D450,337 S *	11/2001	Hamamura	D16/237
D457,516 S *	5/2002	Kohli et al.	D14/224
D465,476 S *	11/2002	Golding et al.	D14/136
D477,344 S *	7/2003	Ng	D16/202
D479,222 S *	9/2003	Lu	D14/192
D517,052 S *	3/2006	Skulley	D14/223

D533,542 S *	12/2006	Suzuki et al.	D14/218
D548,728 S *	8/2007	Yoshiyama	D14/218
D560,212 S *	1/2008	Andre et al.	D14/218
D561,703 S *	2/2008	Shimokawa et al.	D13/168

OTHER PUBLICATIONS

U.S. Appl. No. 29/248,490, Remote Controller, filed Aug. 17, 2006.

* cited by examiner

Primary Examiner—Robert M Spear

Assistant Examiner—John Windmuller

(74) *Attorney, Agent, or Firm*—Banner & Witcoff, Ltd.

(57) **CLAIM**

The ornamental design for a remote controller, as shown and described.

DESCRIPTION

FIG. 1 is a front perspective view of a remote controller showing our new design;

FIG. 2 is a front view thereof;

FIG. 3 is a rear view thereof;

FIG. 4 is a left side view thereof;

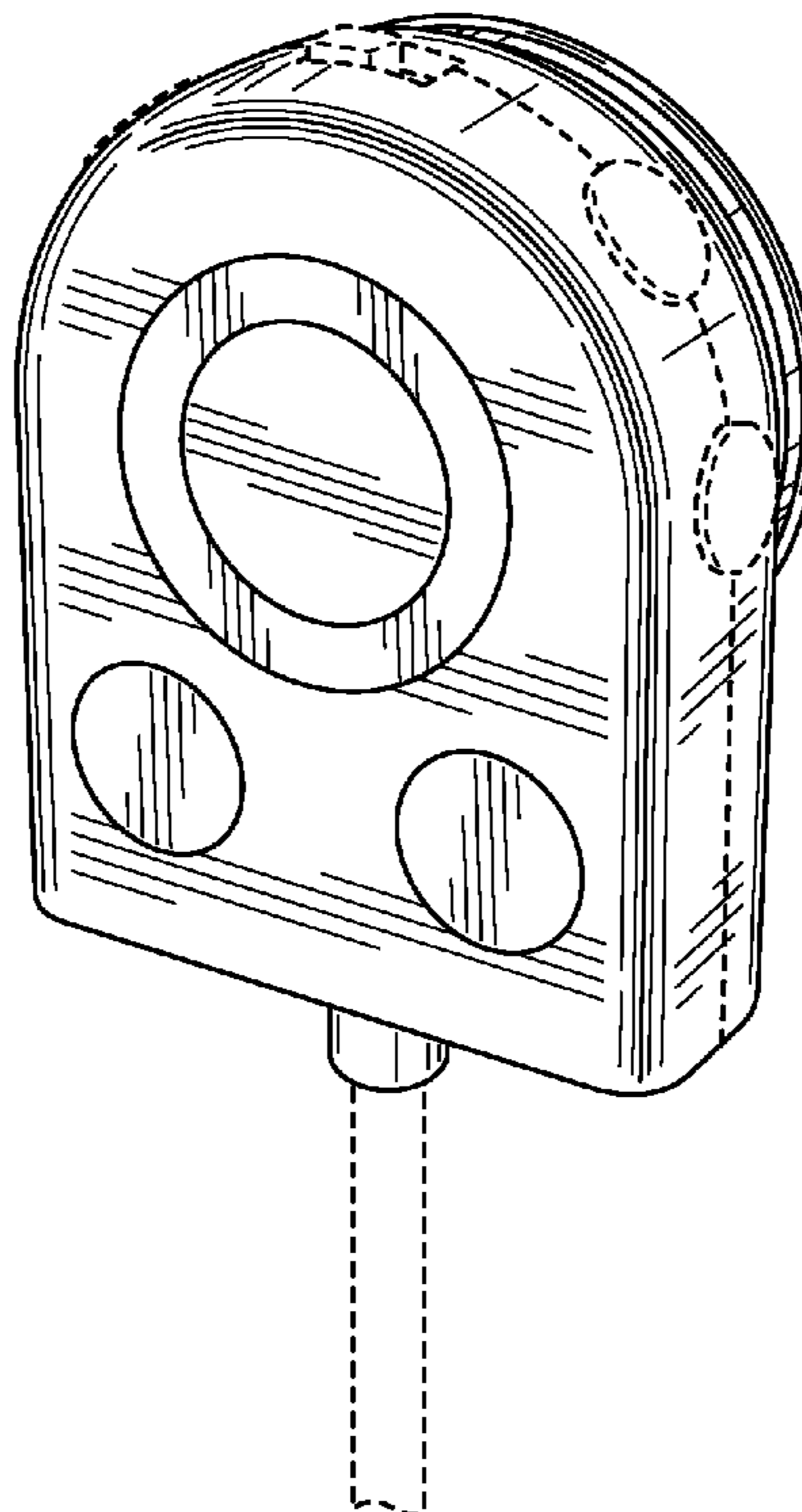
FIG. 5 is a right side view thereof;

FIG. 6 is a top view thereof; and,

FIG. 7 is a bottom view thereof.

The broken line showing of various regions in the Figures, including the unshaded areas therein, is for illustrative purposes only and forms no part of the claimed design.

1 Claim, 4 Drawing Sheets



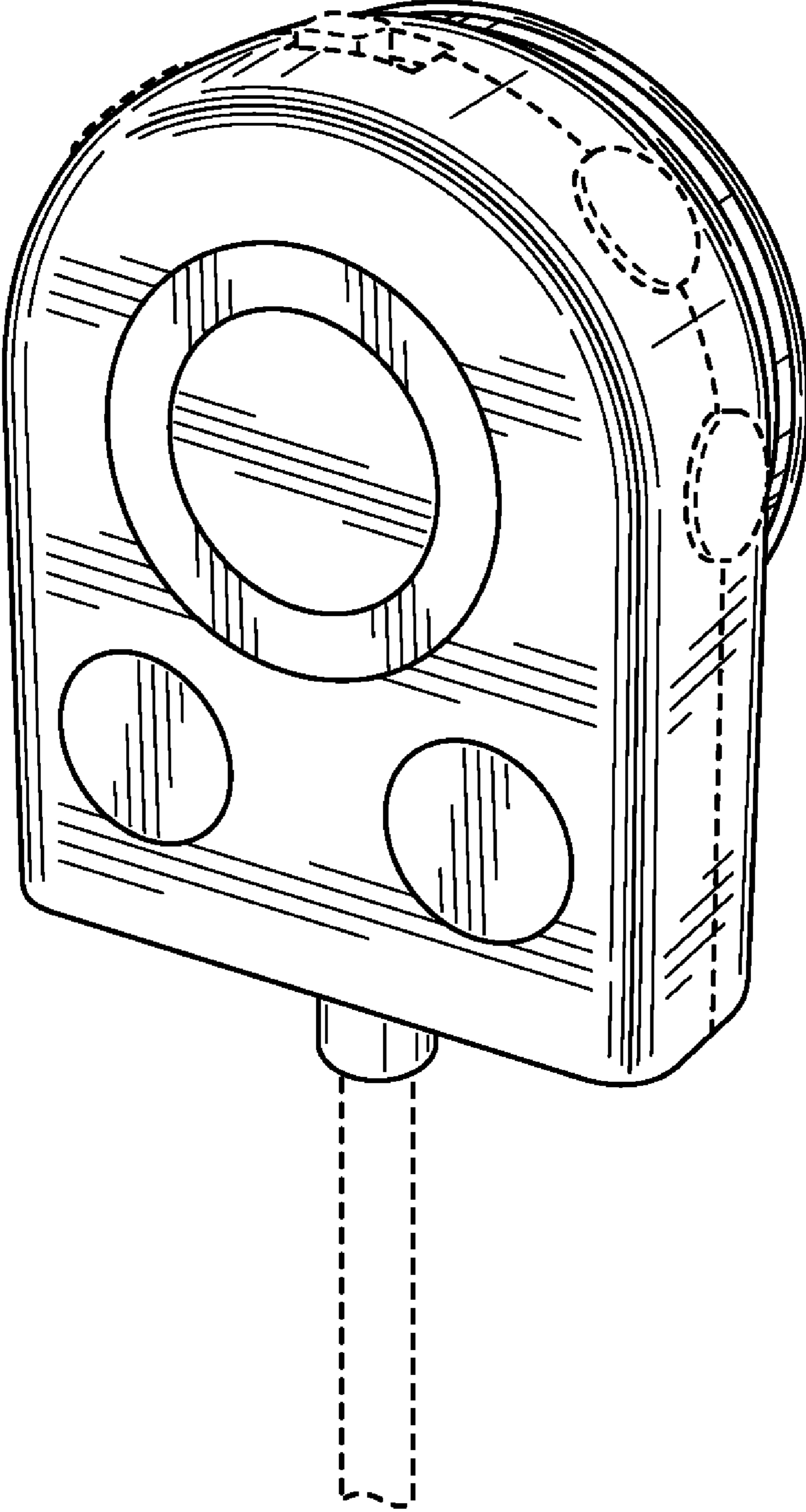


FIG. 1

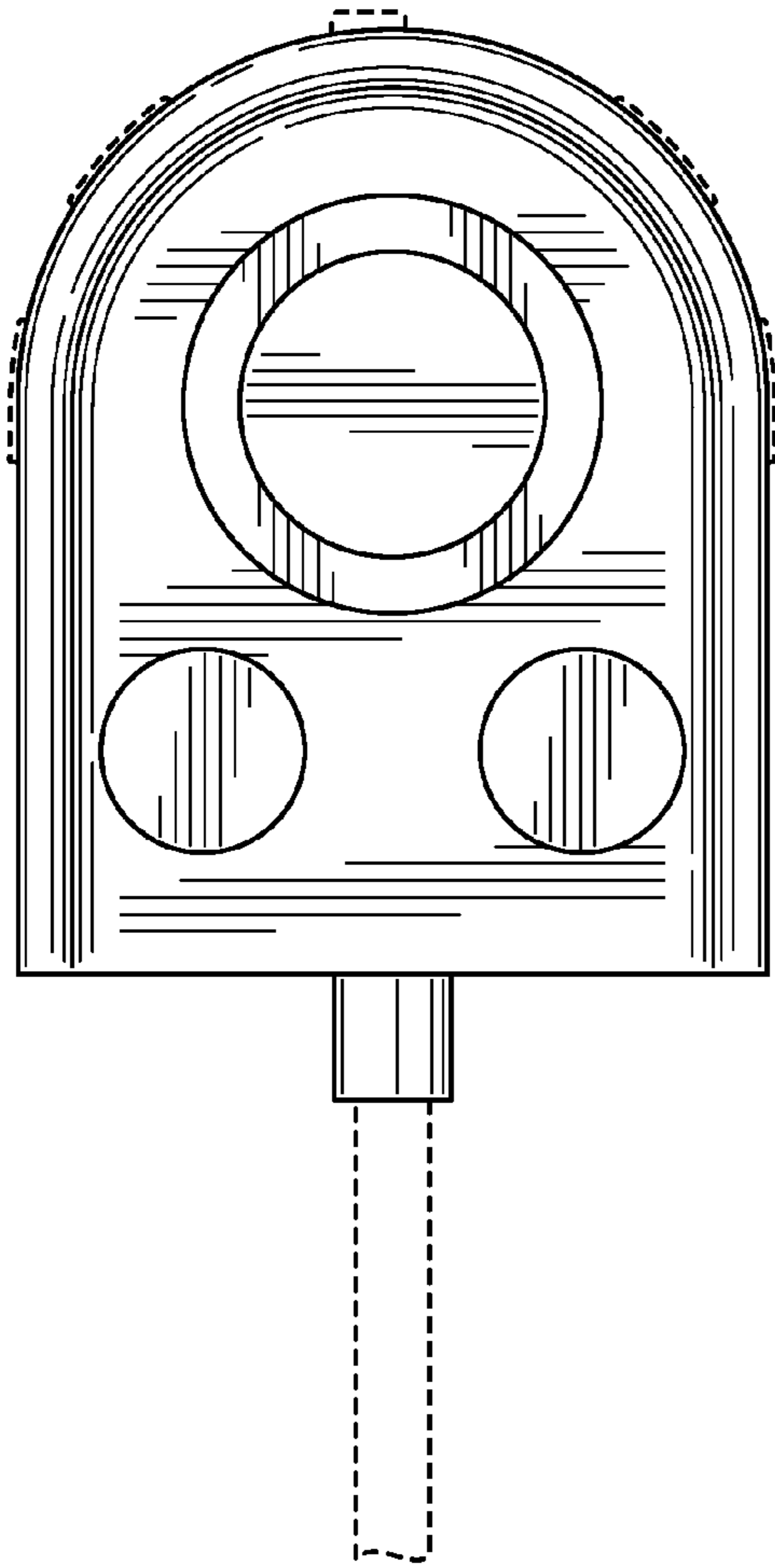


FIG. 2

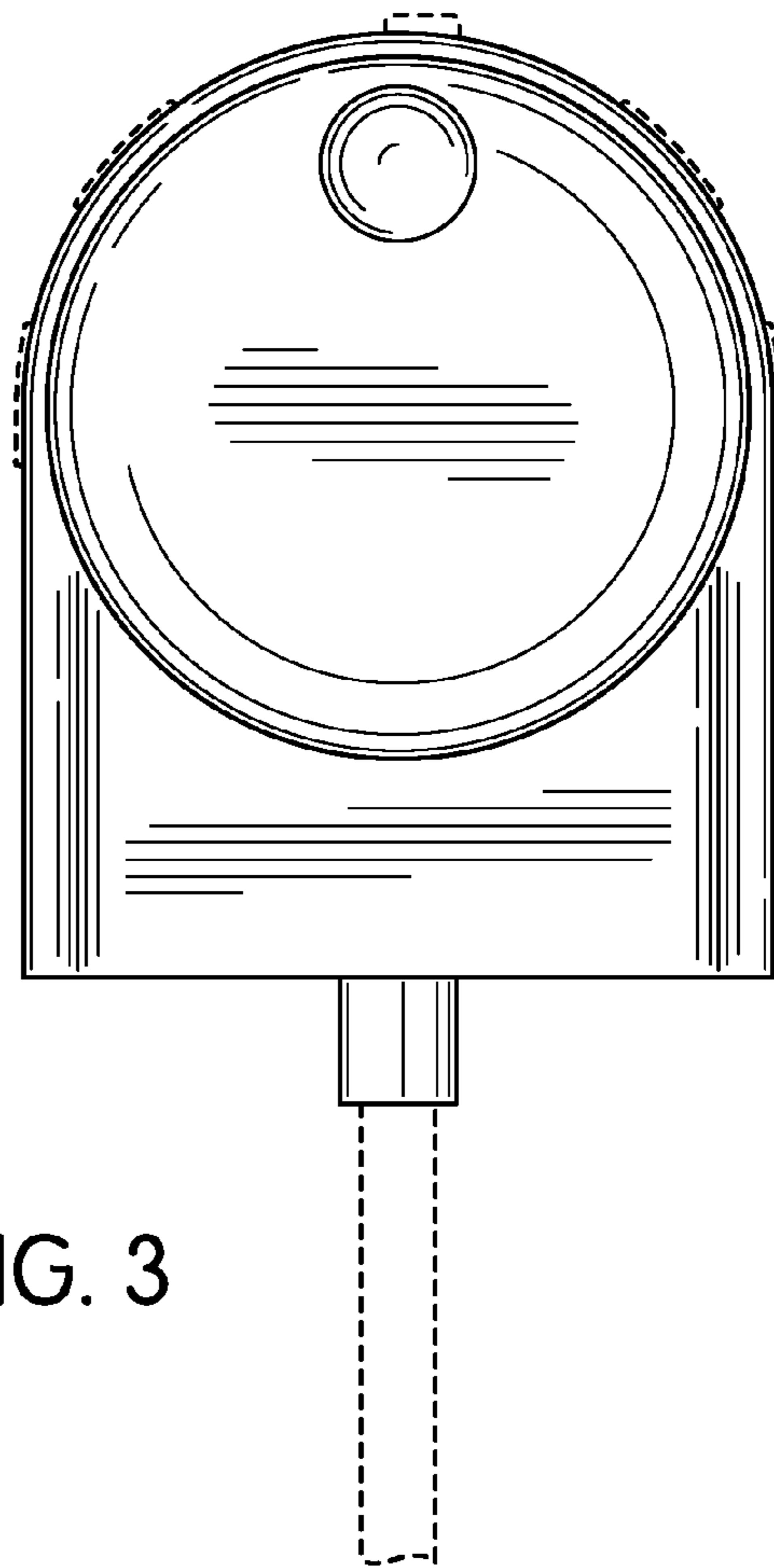


FIG. 3

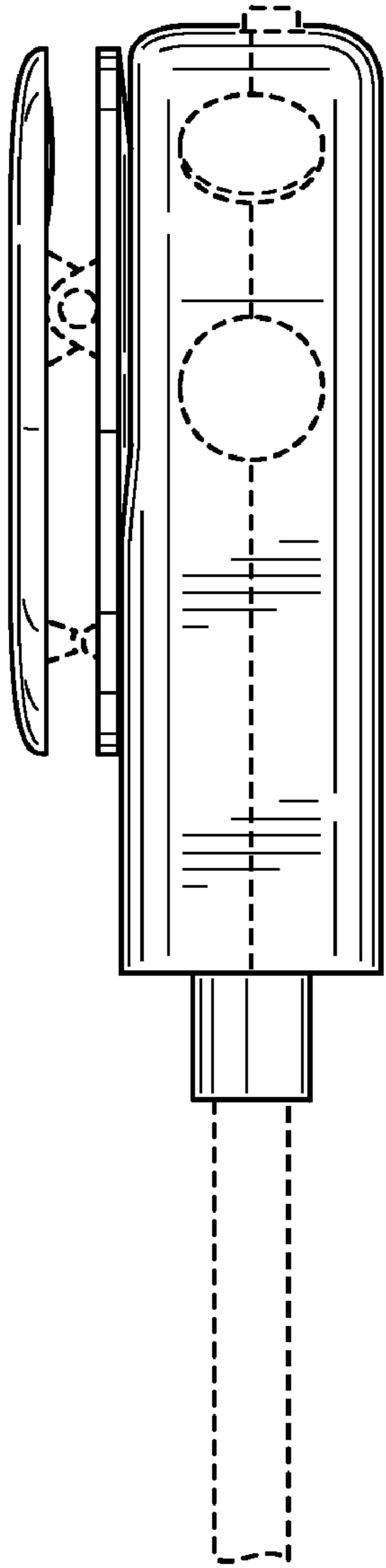


FIG. 4

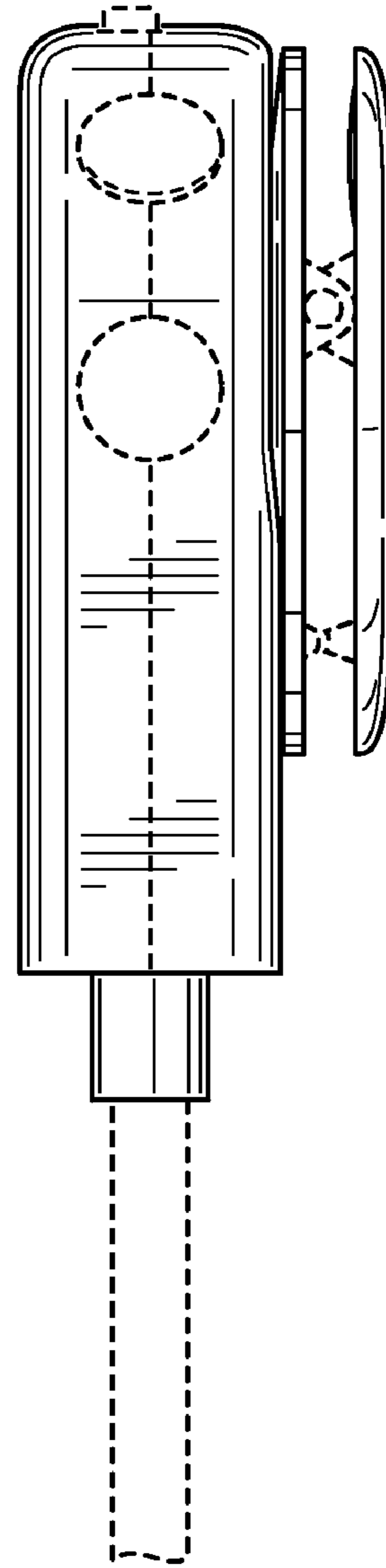


FIG. 5

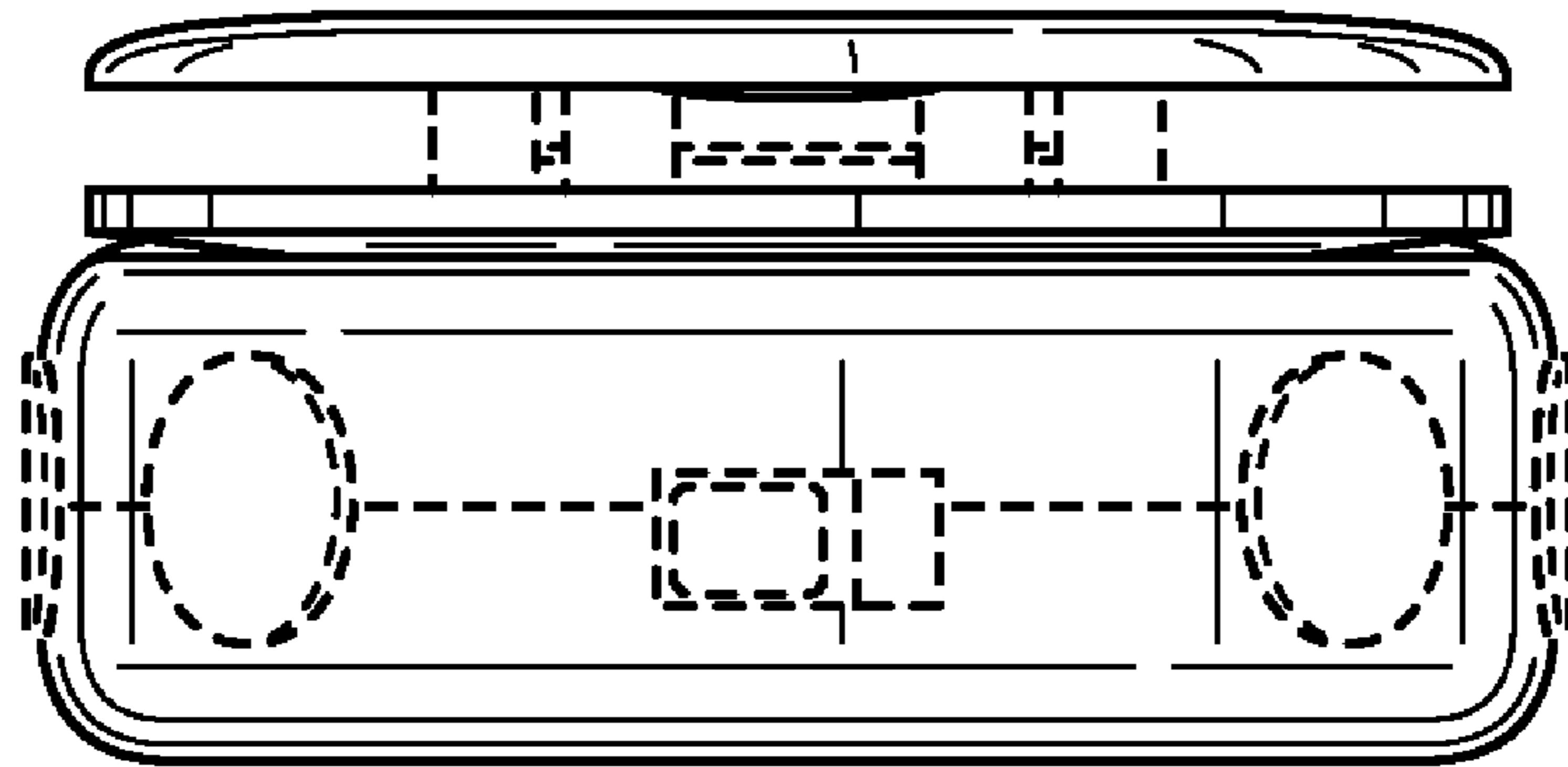


FIG. 6

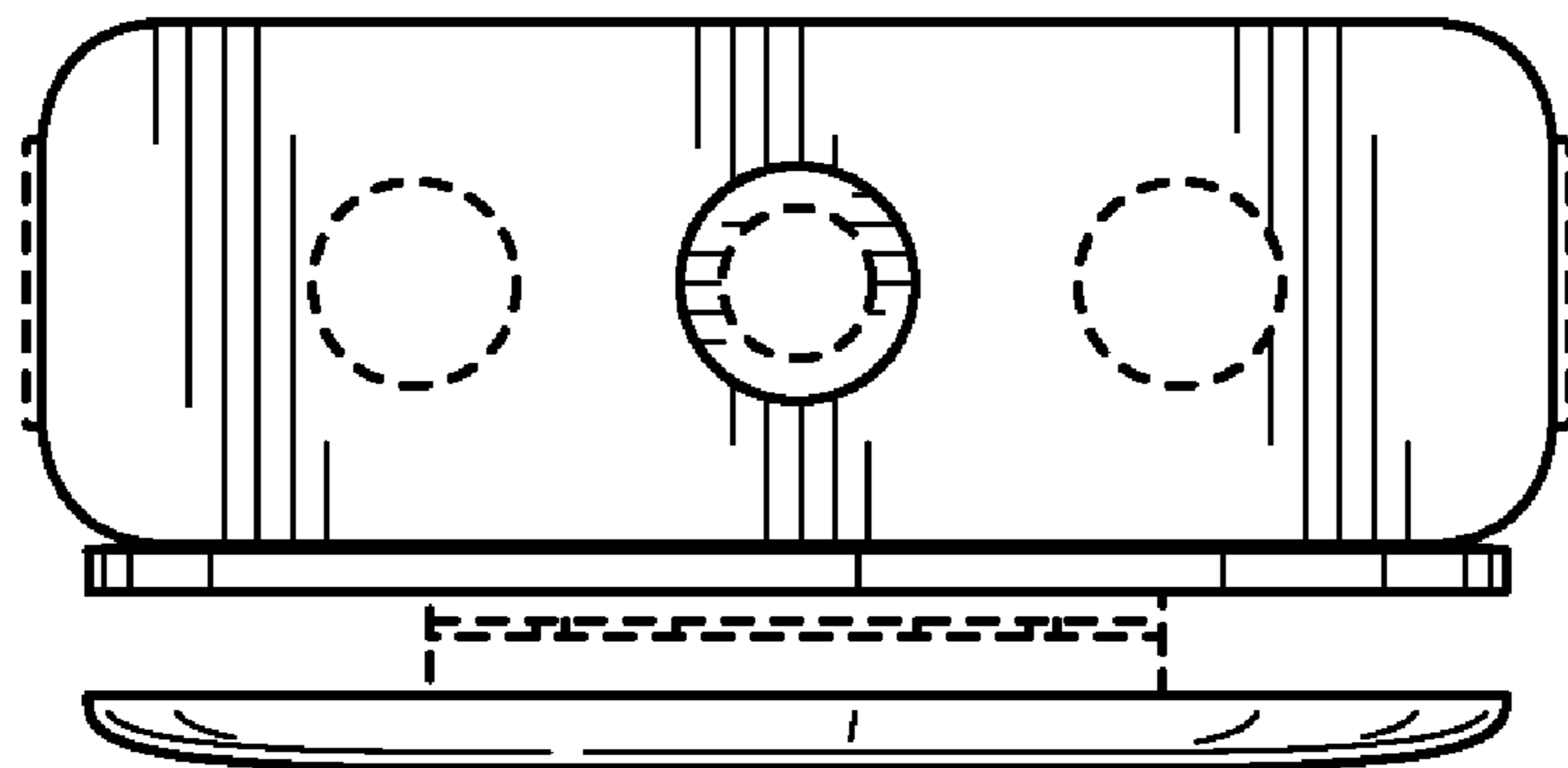


FIG. 7