



US00D585427S

(12) **United States Design Patent**
Lee et al.

(10) **Patent No.:** **US D585,427 S**
(45) **Date of Patent:** **** Jan. 27, 2009**

(54) **PERIPHERAL FOR A PORTABLE MEDIA DEVICE**

FOREIGN PATENT DOCUMENTS

(75) Inventors: **Joseph Onyuen Lee**, Los Angeles, CA (US); **Liao Xiang Nong**, Donguan (CN)

HK 0501995-5M001 8/2005

(73) Assignee: **Portable Sound Laboratories, Inc.**, Chatsworth, CA (US)

OTHER PUBLICATIONS

(**) Term: **14 Years**

Office Action (mailed Nov. 14, 2007), U.S. Appl. No. 29/282,184, filed Jul. 12, 2007, First Named Inventor, Jorge V. Ragde, Jr.

(21) Appl. No.: **29/320,763**

(Continued)

(22) Filed: **Jul. 2, 2008**

Primary Examiner—Stella M Reid

Assistant Examiner—Keli L Hill

(74) *Attorney, Agent, or Firm*—Blakely, Sokoloff, Taylor & Zafman, LLP

Related U.S. Application Data

(63) Continuation of application No. 29/249,207, filed on Sep. 26, 2006, now Pat. No. Des. 573,136.

(51) **LOC (9) Cl.** **14-02**

(52) **U.S. Cl.** **D14/217; D3/218; D14/204**

(58) **Field of Classification Search** D14/168, D14/169, 172, 180, 184, 188, 189, 192–195, D14/197, 198, 204, 210, 212, 214, 217, 221, D14/265, 299; D3/215–218, 269, 273, 274, D3/276, 289, 301; 181/151; 330/1 R, 3, 330/4, 250; 381/86, 120; 455/90.1–90.3, 455/95, 128, 347, 351

See application file for complete search history.

(57) **CLAIM**

The ornamental design for a peripheral for a portable media device, as shown and described.

DESCRIPTION

FIG. 1 is a perspective view of the front side of a peripheral. FIG. 2 is a front elevational view of the front side of a peripheral.

FIG. 3 is a left side elevational view of the front side of a peripheral.

FIG. 4 is a right side elevational view of the front side of a peripheral.

FIG. 5 is a rear elevational view of the front side of a peripheral; and,

FIG. 6 is a top plan view of the front side of a peripheral.

The broken lines within the claim area represent stitching. All other broken lines represent the portions of the design that form no part of the claim.

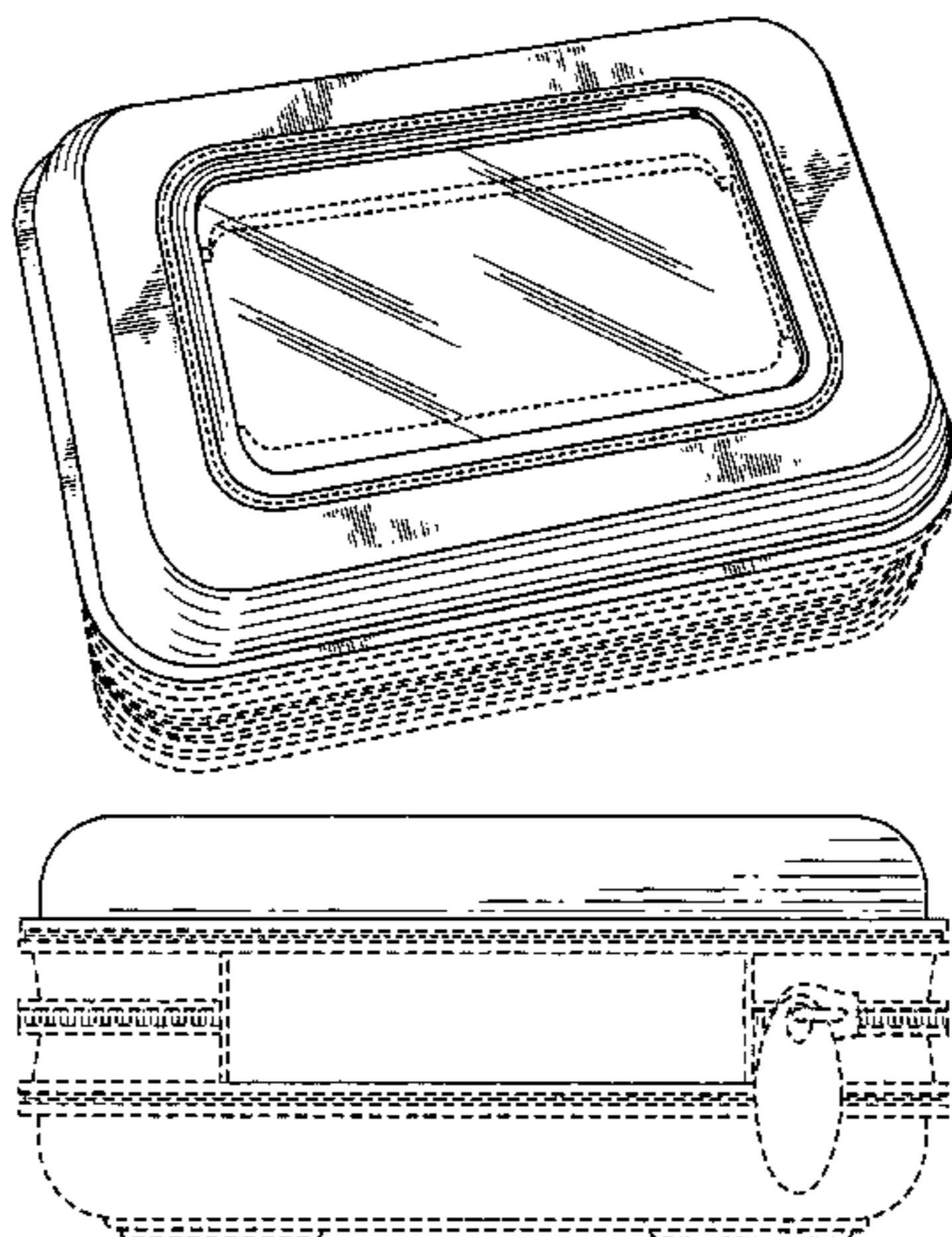
(56) **References Cited**

U.S. PATENT DOCUMENTS

D302,903 S	8/1989	Johnston	
D324,388 S	3/1992	Pulio et al.	
D373,679 S	9/1996	Milby	
D376,150 S	12/1996	Pesce	
D407,432 S	3/1999	Tell	
6,345,751 B1	2/2002	Elliot	
D469,421 S	1/2003	Stickles et al.	
6,522,613 B1	2/2003	Frankeny et al.	
D477,361 S *	7/2003	Park	D19/26
D483,349 S	12/2003	Murakami	

(Continued)

1 Claim, 6 Drawing Sheets



US D585,427 S

Page 2

U.S. PATENT DOCUMENTS

6,712,249 B2 3/2004 Magnusson et al.
D488,483 S 4/2004 Hu
D489,529 S 5/2004 Vish et al.
D491,167 S 6/2004 Yokoyama
D495,185 S 8/2004 Palmer
D497,051 S 10/2004 Nieves
D498,471 S 11/2004 Solland et al.
D500,923 S 1/2005 Gonzalez et al.
D502,165 S 2/2005 Ching
D508,522 S * 8/2005 McCormack D19/26
D508,689 S 8/2005 Schul et al.
D511,895 S 11/2005 Vish et al.
D513,148 S 12/2005 Nieves
D516,579 S 3/2006 Nakamura
D517,364 S 3/2006 Nieves
7,039,210 B2 5/2006 Holland
D524,798 S 7/2006 Koizumi
D527,182 S 8/2006 Ham
7,095,867 B2 8/2006 Schul et al.
D527,722 S 9/2006 Yeh
D535,287 S 1/2007 Patel
D537,071 S 2/2007 Tsai
7,177,420 B2 2/2007 Carter
7,184,259 B2 2/2007 Marler et al.
D538,787 S 3/2007 Tsai
D540,781 S 4/2007 Patel et al.
D542,776 S 5/2007 Dayan
D552,184 S 10/2007 Hussaini et al.
D554,105 S 10/2007 Langberg et al.
D556,188 S 11/2007 Ang et al.
D557,495 S * 12/2007 Chan et al. D3/218
D558,973 S * 1/2008 Hussaini et al. D3/201
D563,431 S * 3/2008 Entner D14/496
D565,298 S * 4/2008 Braun D3/273
D569,845 S * 5/2008 Ragde et al. D14/214

D569,846 S * 5/2008 Ragde et al. D14/214
D573,136 S * 7/2008 Lee et al. D14/217
2002/0088726 A1 7/2002 Chou
2006/0078143 A1 4/2006 Yang
2006/0269091 A1 11/2006 Fan
2006/0274910 A1 12/2006 Schul et al.
2007/0076911 A1 4/2007 Schul et al.

OTHER PUBLICATIONS

Office Action (mailed Nov. 14, 2007), U.S. Appl. No. 29/282,187, filed Jul. 12, 2007, First Named Inventor, Jorge V. Ragde, Jr., 10 pgs. Jow Tong Technology Co., Ltd., Audio/Video Data Reproducing Device for Multi-Media Player, Abstract, DE2006005333AU, 2007. Brookstone, iFloat™ Waterproof MP3 Sound Case, http://www.brookstone.com/store/product.asp?product_code=523415&search_type=search&search_words=ifloat&prodtemp=t1&cm_re=Result*R1C1*A; Oct. 18, 2006. Irock! myirock.com irock! 150vm Carrying Case, <http://www.myirock.com/servlet/Detail?no=13>; Feb. 27, 2007. Altec Lansing, IM9 Portable Audio System, http://www.alteclansing.com/product_details.asp?PID=IM9; Oct. 17, 2006. Sonic Impact, iP22 Portable Speakers, http://www.si-technologies.com/frontEnd/cm_productDetail.jsp?productID=41; Oct. 17, 2006. Mobile Tech Review, i.Sound and i.Sound 4X Speakers, <http://www.mobiletechreview.com/iPod/iSound.htm>; Feb. 27, 2007. Sonic Impact, i-F1 Portable Speakers for iPod, http://www.si-5.com/frontEnd/cm_productDetail.jsp?productID=33; Oct. 17, 2006. Sonic Impact, i-Pax Portable Speakers, http://www.si-technologies.com/frontEnd/cm_productDetail.jsp?product; Oct. 17, 2006. Red Envelope, Digital Sound Bag, http://www.redenvelope.com/re/gifts/product_display/product_information.jsp?nc=17835&BV_SessionID=@@@@0857731368.1172622084@@@@&BV_EngineID=cccgaddkejlhfjfcfecefedfgdfmf.0&refPg=endeca&oid=16180359&nc2=l; Nov. 6, 2006.

* cited by examiner

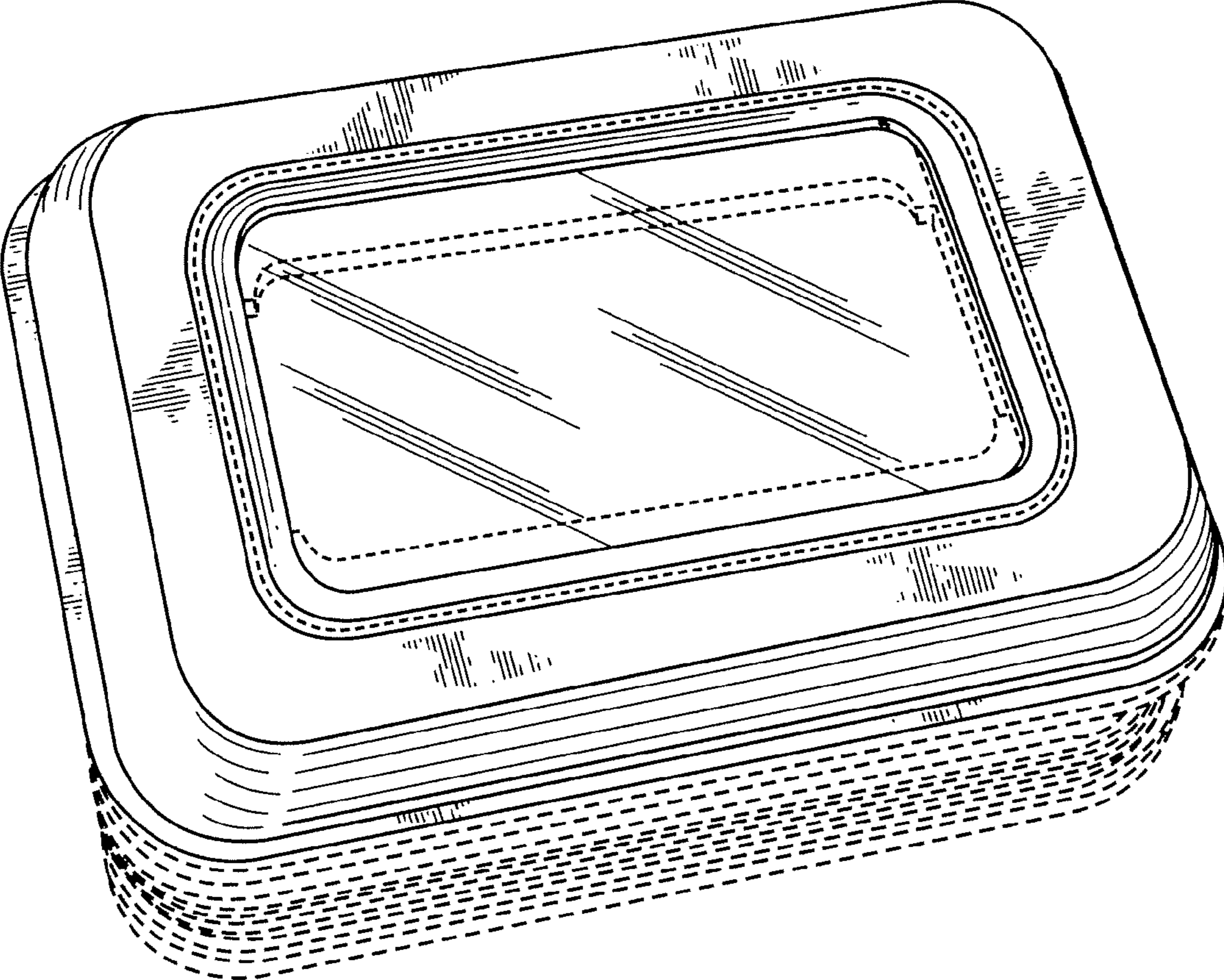


FIG. 1

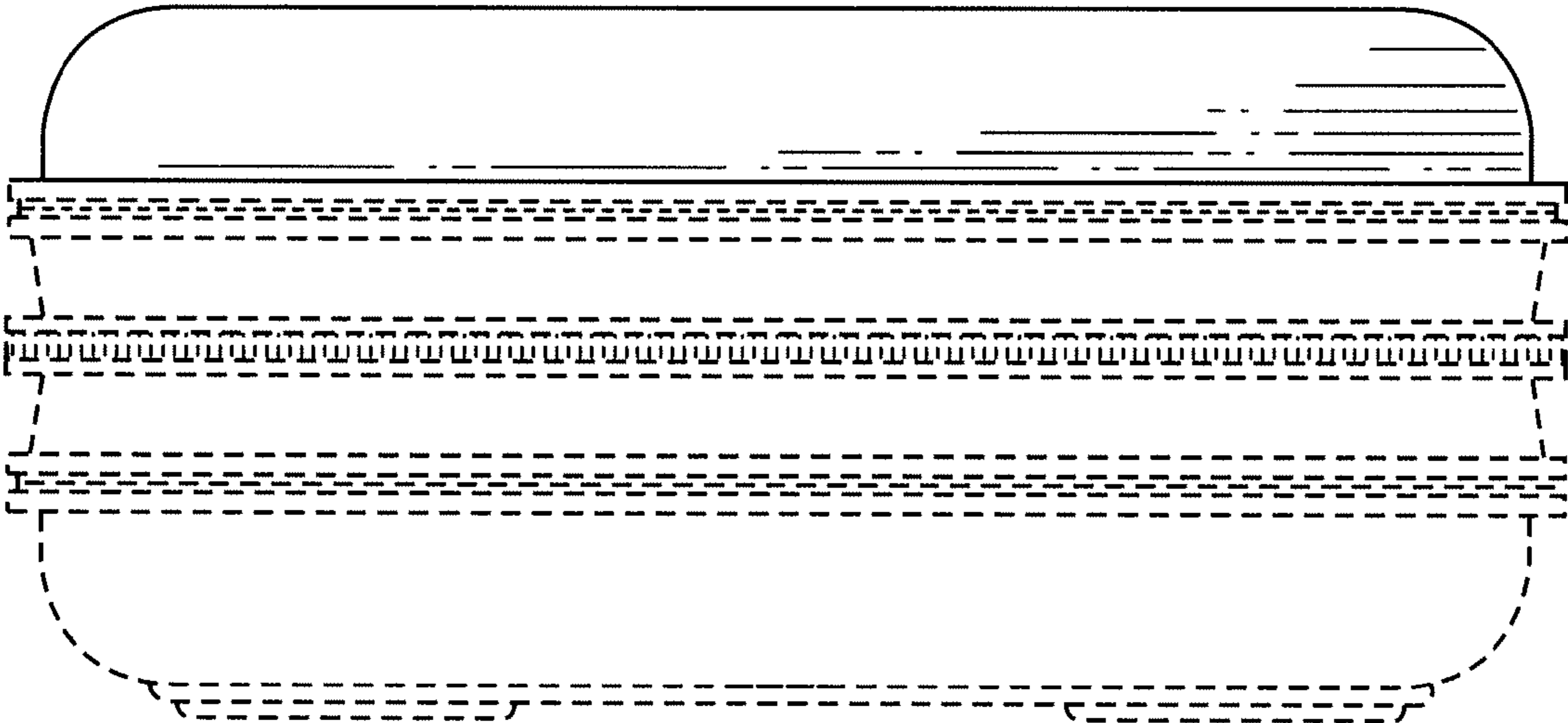


FIG. 2

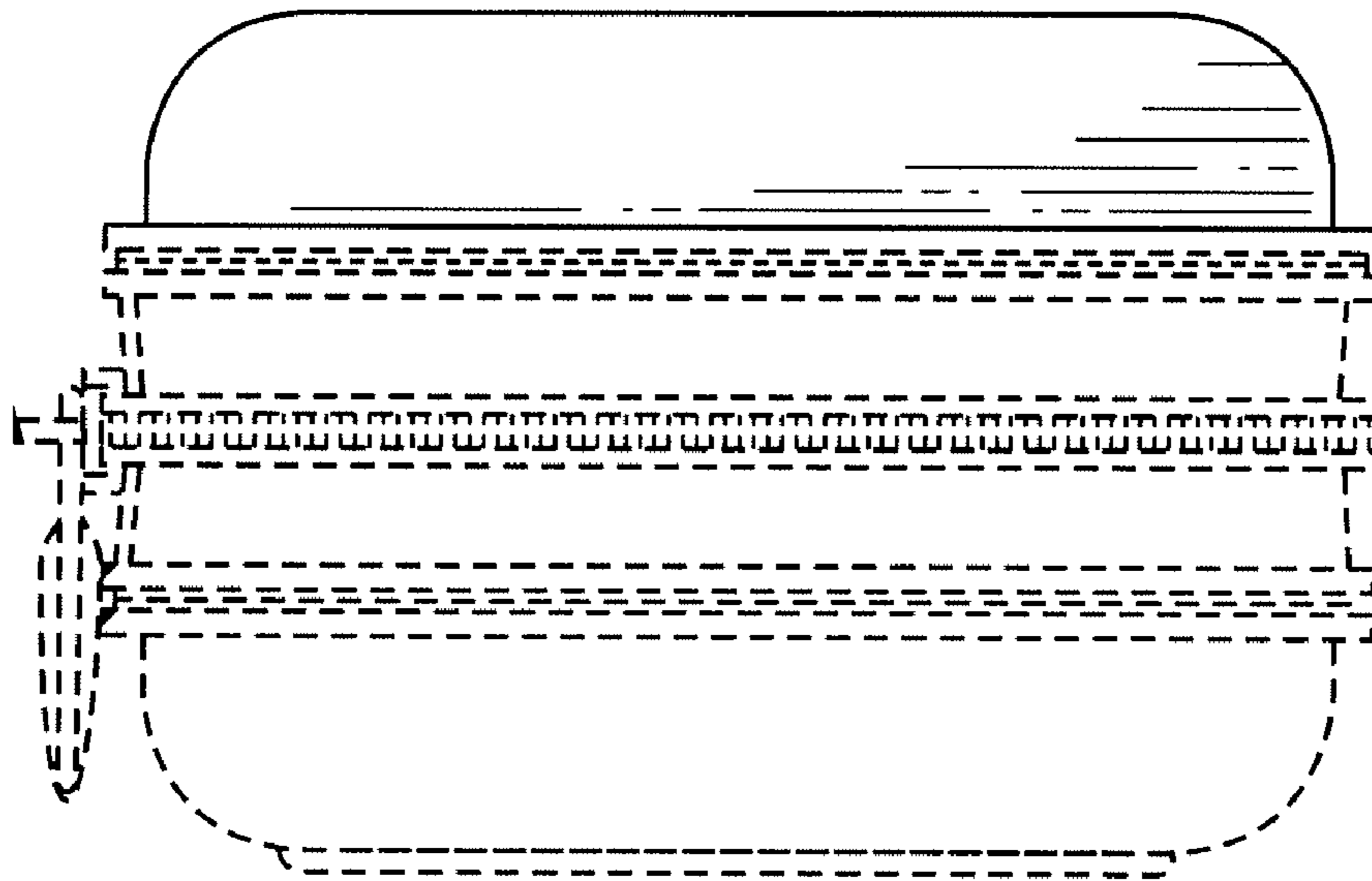


FIG. 3

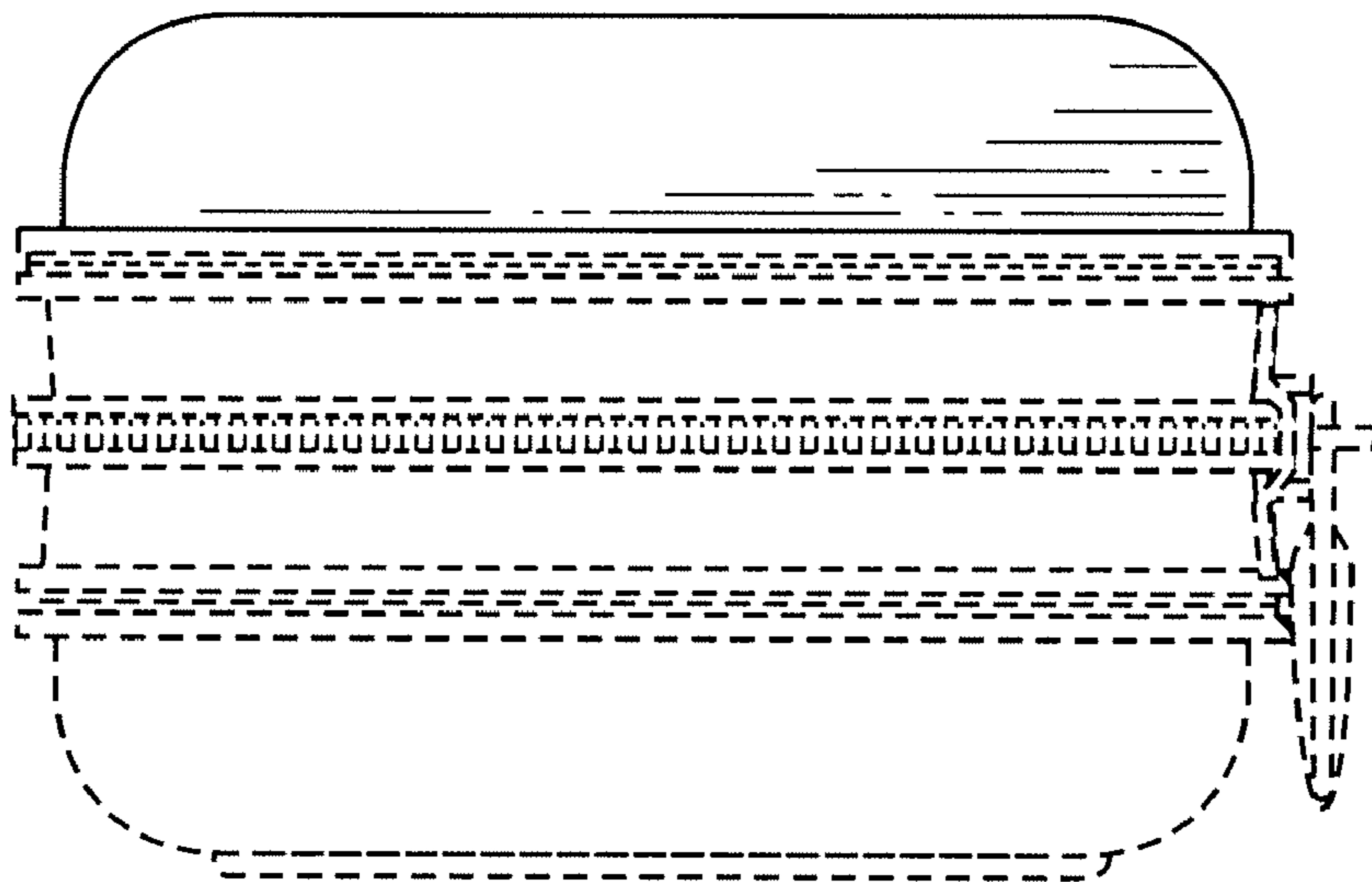


FIG. 4

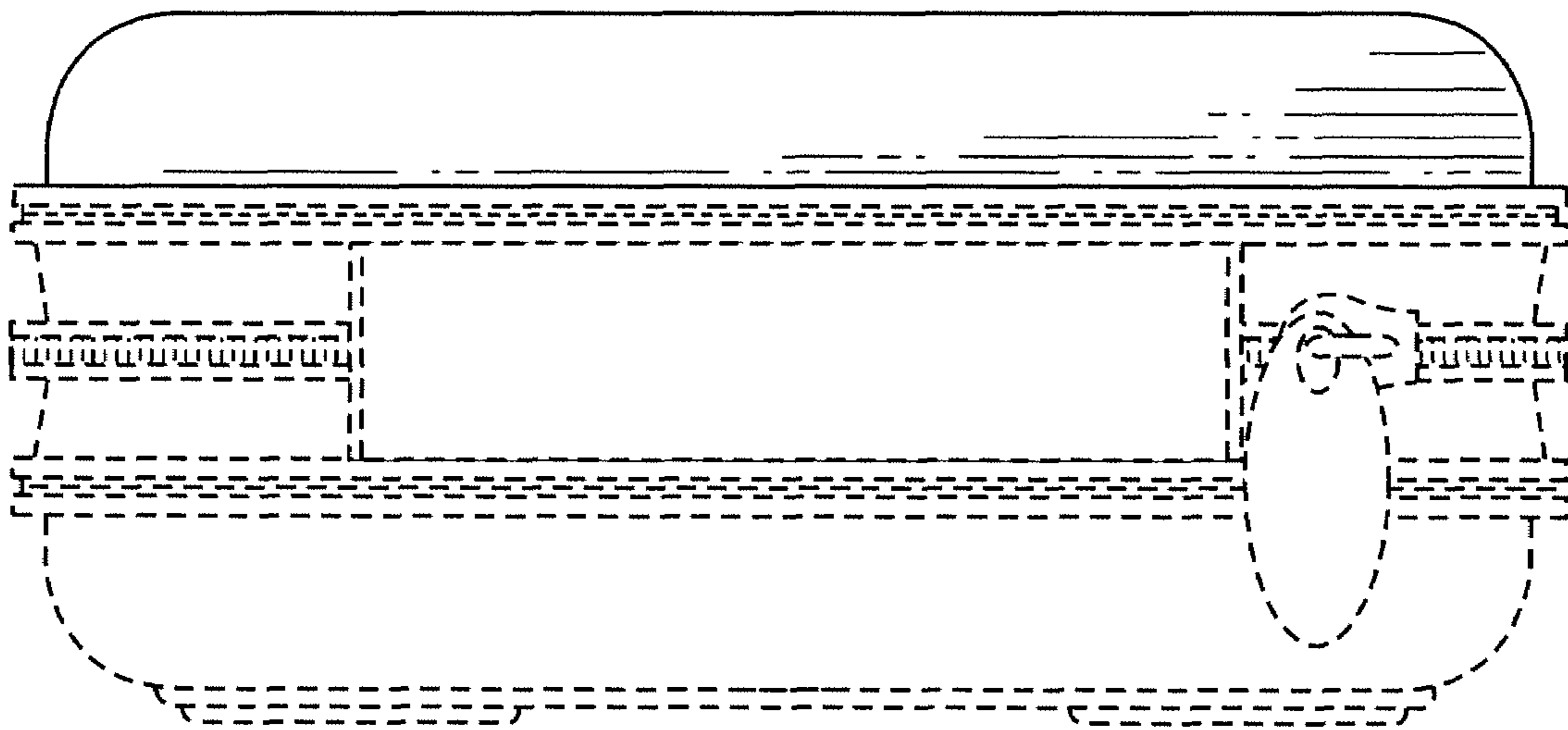


FIG. 5

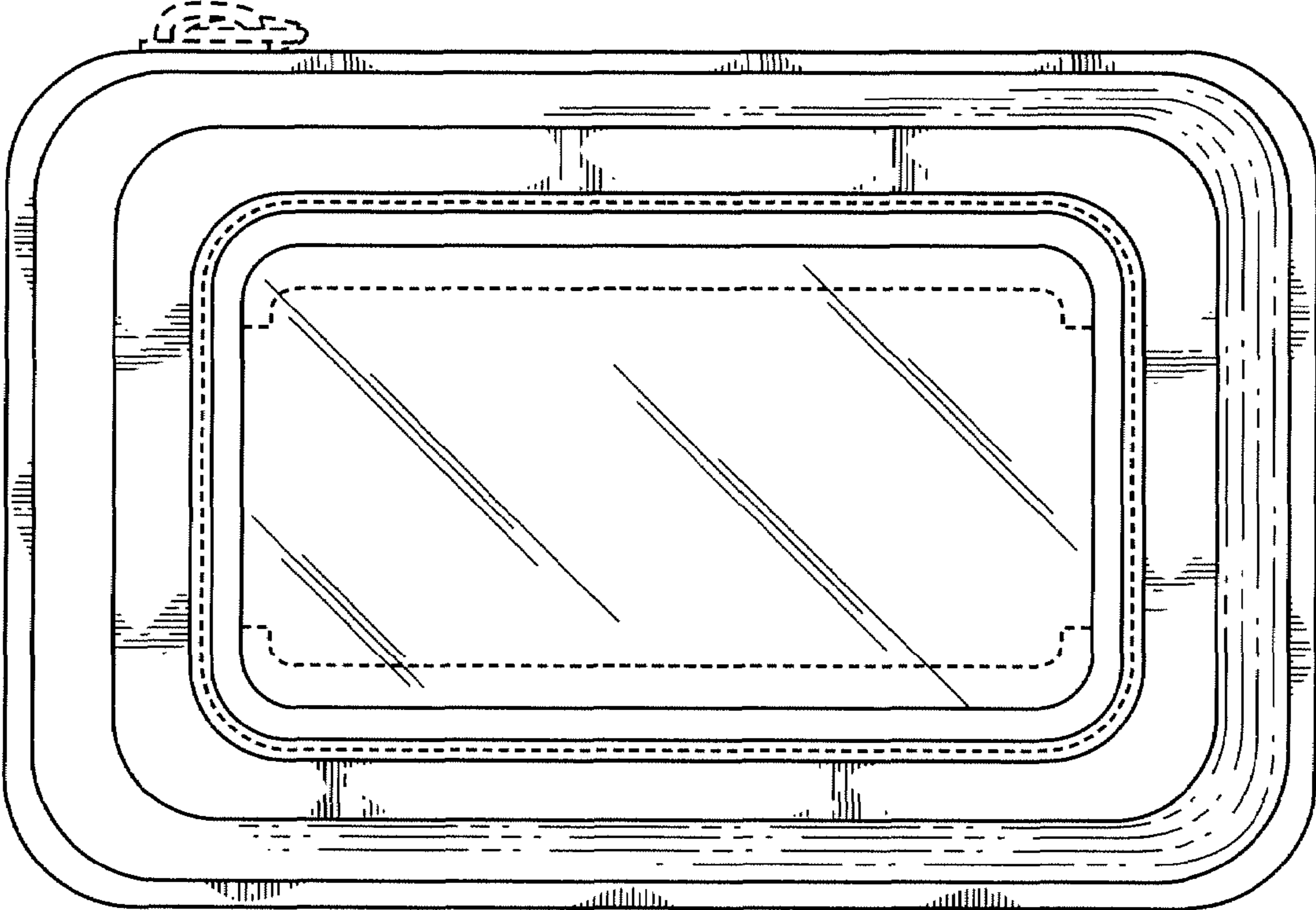


FIG. 6

UNITED STATES PATENT AND TRADEMARK OFFICE
CERTIFICATE OF CORRECTION

PATENT NO. : Des. 585,427 S
APPLICATION NO. : 29/320763
DATED : January 27, 2009
INVENTOR(S) : Lee et al.

Page 1 of 1

It is certified that error appears in the above-identified patent and that said Letters Patent is hereby corrected as shown below:

Title Page;

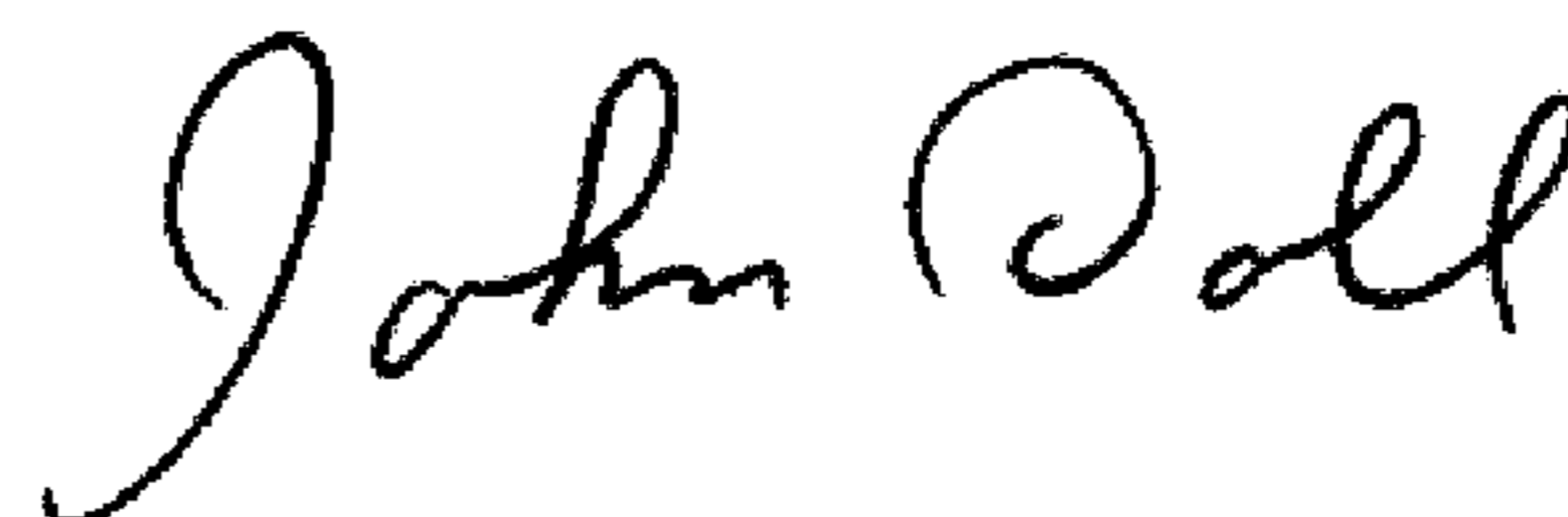
In Item [56], under U.S. Patent Documents, Document Number D538,787 S, please delete "Tsai" and insert -- Patel et al. --.

In Item [56], under U.S. Patent Documents, Document Number D540,781 S, please delete "Patel et al." and insert -- Dayan --.

In Item [56], under U.S. Patent Documents, Document Number D542,776 S, please delete "Dayan" and insert -- Elliott --.

Signed and Sealed this

Fourteenth Day of April, 2009



JOHN DOLL
Acting Director of the United States Patent and Trademark Office