



US00D585426S

(12) **United States Design Patent**
LI

(10) **Patent No.:** **US D585,426 S**
(45) **Date of Patent:** **** Jan. 27, 2009**

(54) **LOUDSPEAKER FOR VEHICLE REVERSING RADAR**

D482,020 S * 11/2003 Olson et al. D14/216
D549,117 S * 8/2007 Snider et al. D10/70

(75) Inventor: **Zhitao LI**, Guangdong Province (CN)

* cited by examiner

(73) Assignee: **Steel Mate Co., Ltd.**, Zhongshan (CN)

Primary Examiner—Nanda Bondade

(**) Term: **14 Years**

(57) **CLAIM**

(21) Appl. No.: **29/303,038**

The ornamental design for a loudspeaker for vehicle reversing radar, as shown.

(22) Filed: **Jan. 30, 2008**

(51) **LOC (9) Cl.** **14-01**

(52) **U.S. Cl.** **D14/216**

(58) **Field of Classification Search** D14/204,
D14/207, 210–216, 172; 181/143–144, 147–148,
181/150–153, 157, 198–199; 381/300–303,
381/306, 332–333, 336, 345, 361–364, 386–388;
D10/65, 70

See application file for complete search history.

DESCRIPTION

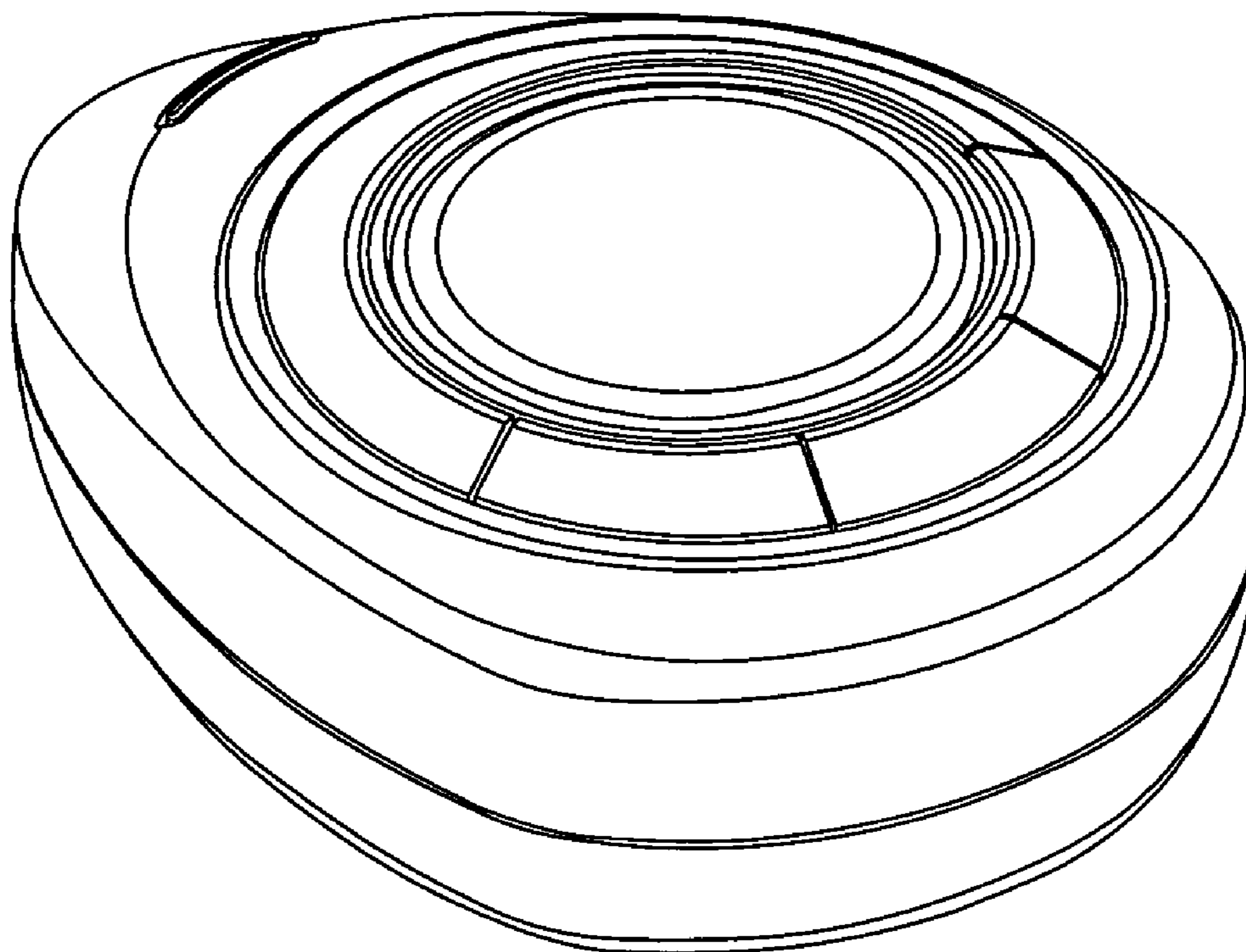
FIG. 1 is a front elevational view of a loudspeaker for vehicle reversing radar showing my new design;
FIG. 2 is a rear elevational view thereof;
FIG. 3 is a left side view thereof;
FIG. 4 is a right side view thereof;
FIG. 5 is a top plan view thereof;
FIG. 6 is a bottom plan view thereof; and,
FIG. 7 is a perspective view thereof.

(56) **References Cited**

U.S. PATENT DOCUMENTS

D315,562 S * 3/1991 Brown D14/213
5,319,164 A * 6/1994 Shen 181/150

1 Claim, 6 Drawing Sheets



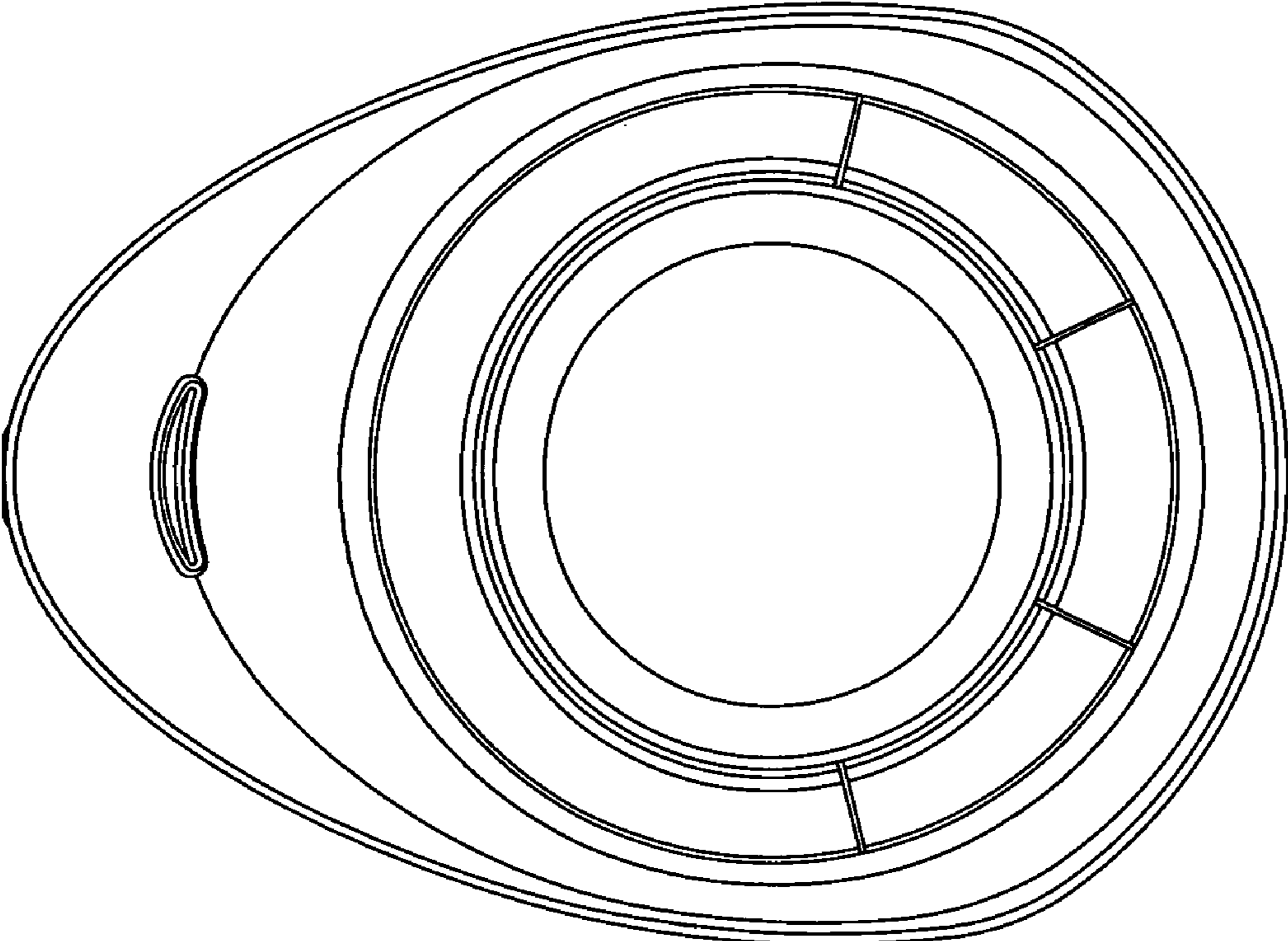


FIG. 1

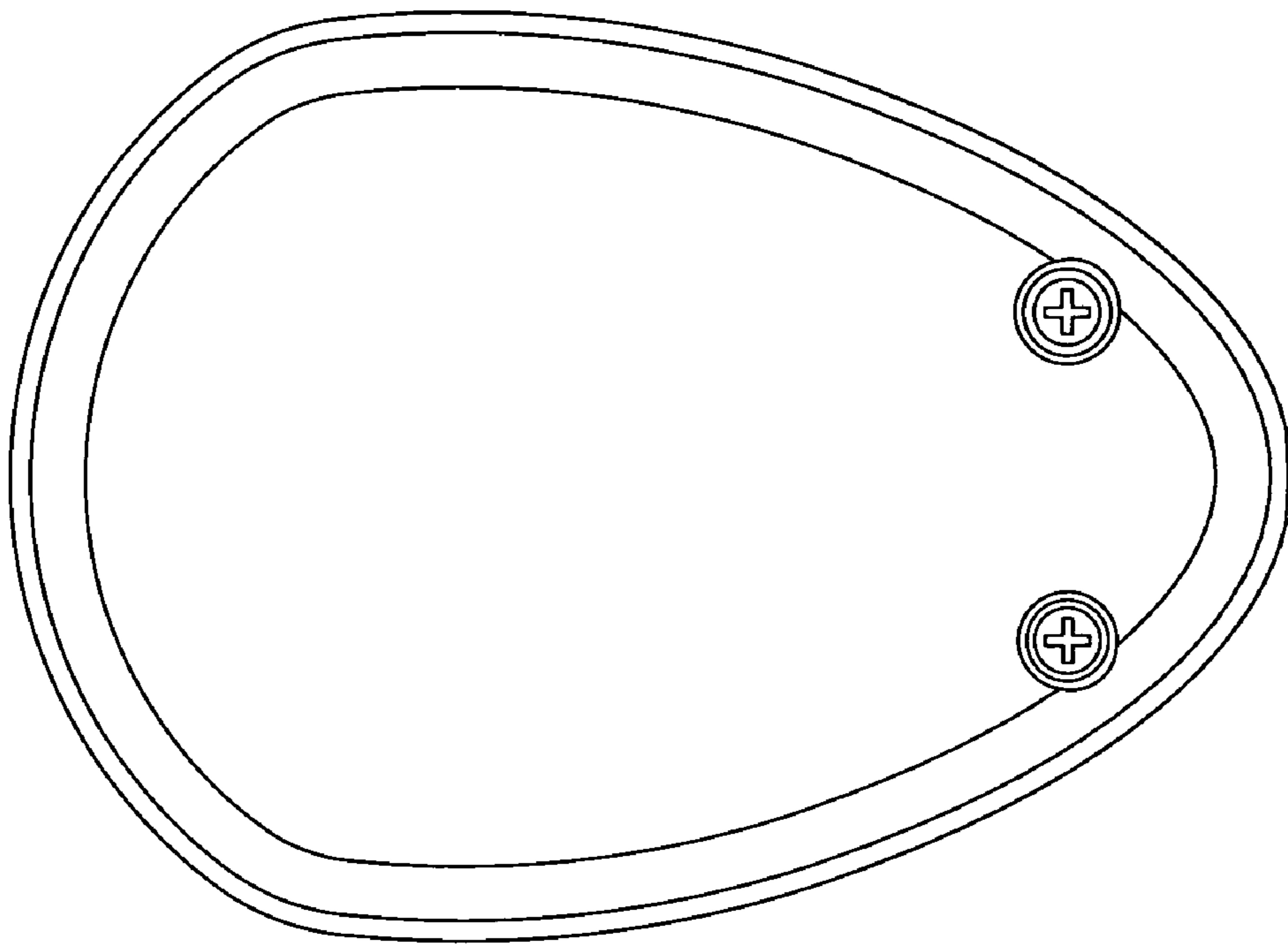


FIG. 2

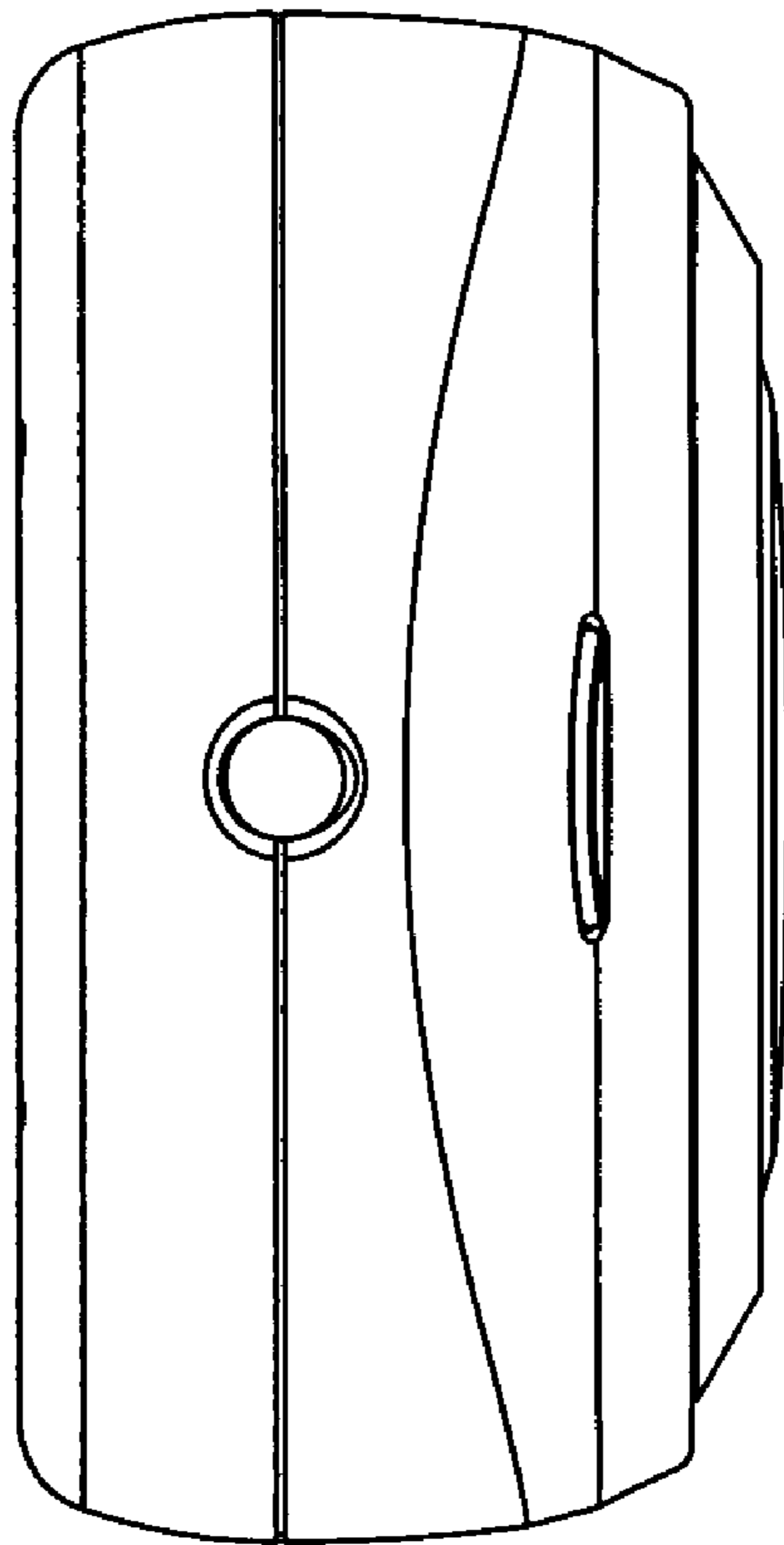


FIG. 3

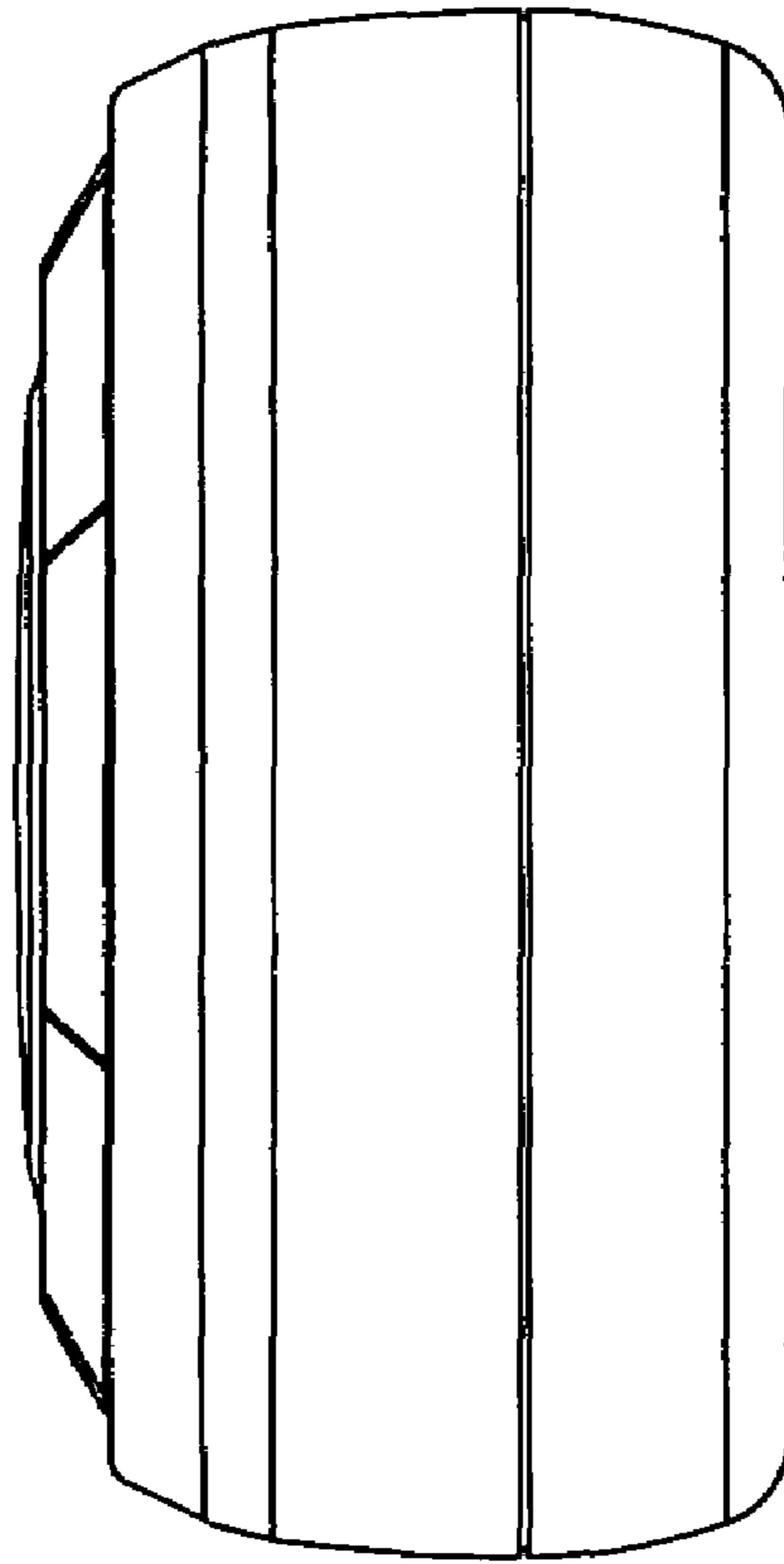


FIG. 4

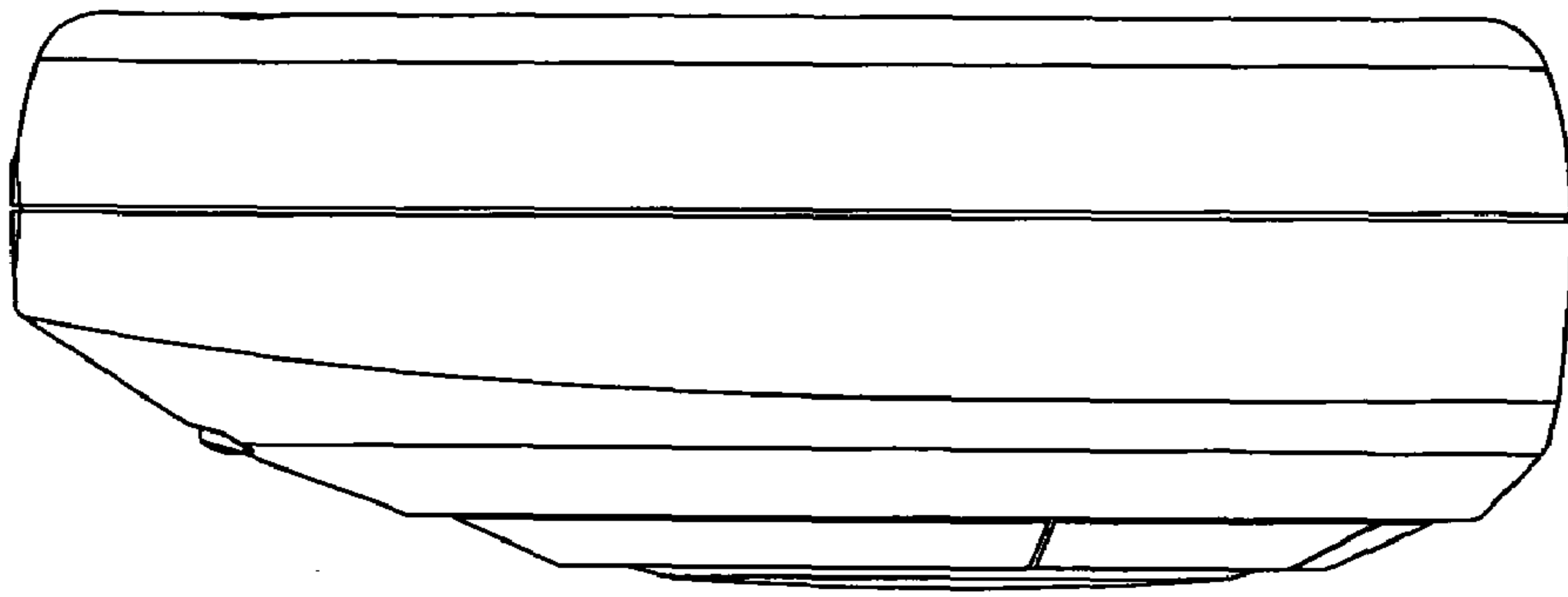


FIG. 5

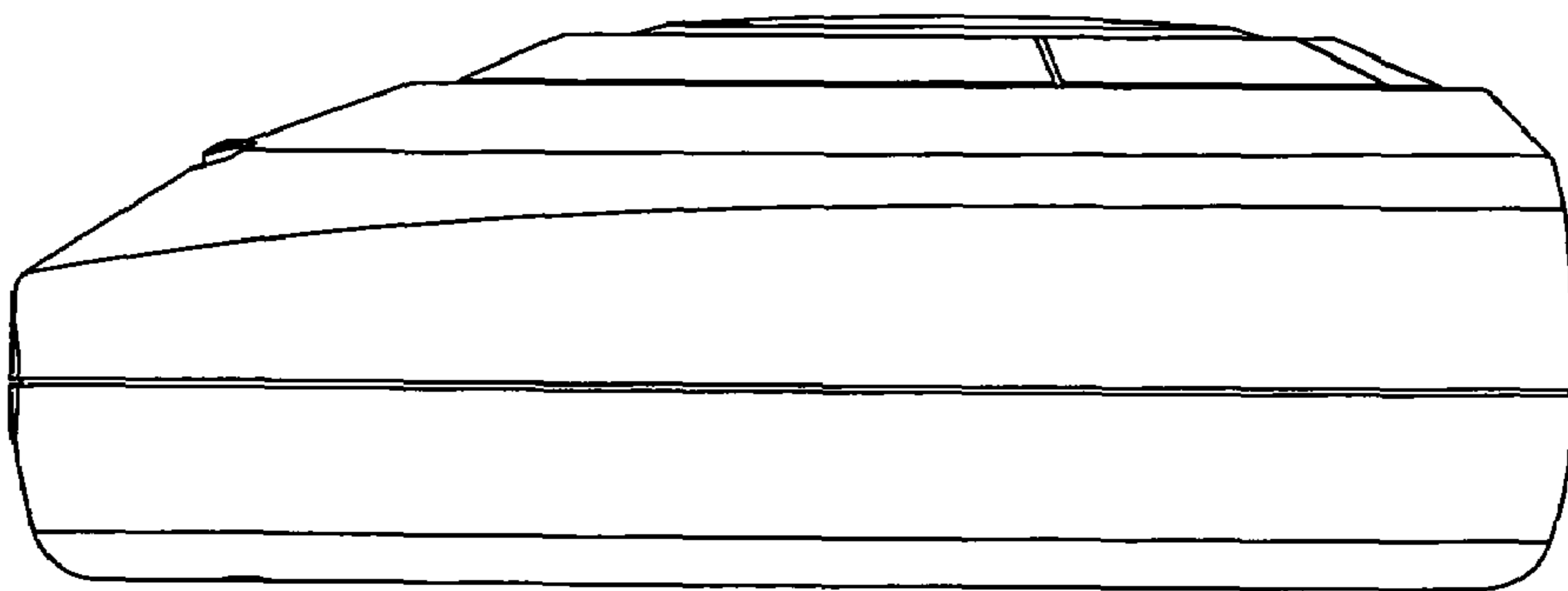


FIG. 6

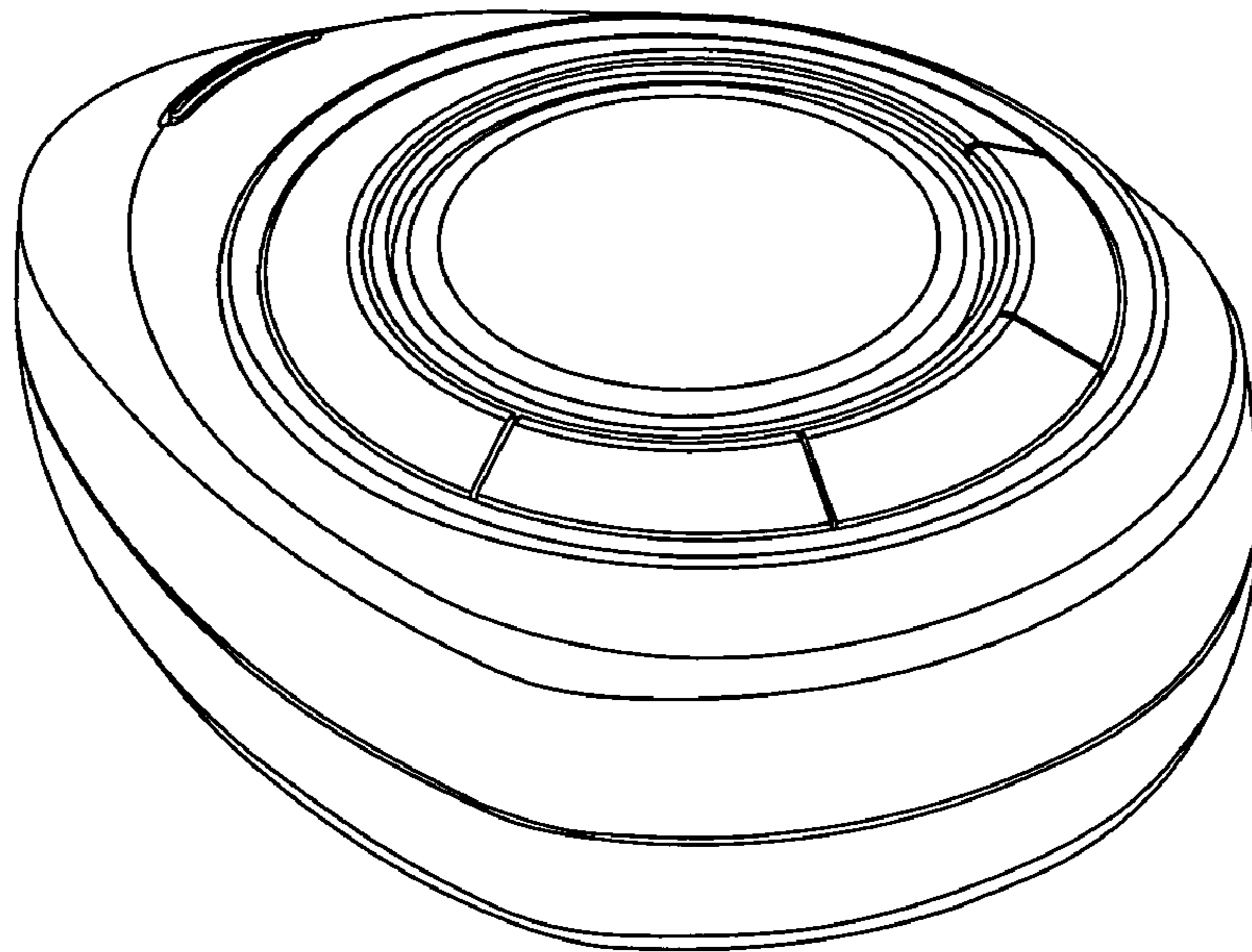


FIG. 7