



US00D585421S

(12) **United States Design Patent**
Petersen

(10) **Patent No.:** **US D585,421 S**

(45) **Date of Patent:** **** Jan. 27, 2009**

(54) **BUG SHOWER RADIO**

(75) Inventor: **Christopher M. Petersen**, Milford, NH (US)

(73) Assignee: **Yahoo! Inc.**, Sunnyvale, CA (US)

(**) Term: **14 Years**

(21) Appl. No.: **29/301,483**

(22) Filed: **Mar. 22, 2008**

(51) **LOC (9) Cl.** **14-03**

(52) **U.S. Cl.** **D14/189**

(58) **Field of Classification Search** D14/137, D14/138, 155, 160-171, 188, 189, 194, 197, D14/198, 204, 207, 213, 214, 217, 265, 299, D14/496; 345/156-158; 369/6-12; 455/90.1-90.3, 455/344-355, 899; 370/342-344

See application file for complete search history.

(56) **References Cited**

U.S. PATENT DOCUMENTS

- D437,842 S * 2/2001 Chen D14/194
- D451,492 S * 12/2001 Stuntz et al. D14/168
- D452,828 S * 1/2002 Wah D10/22
- D483,737 S * 12/2003 Shah D14/189
- D495,679 S * 9/2004 Chen D14/171

- D503,166 S * 3/2005 Tse D14/171
- D562,799 S * 2/2008 Harris D14/194

* cited by examiner

Primary Examiner—Stella M Reid

Assistant Examiner—Keli L Acker

(74) *Attorney, Agent, or Firm*—Martine Penilla & Gencarella, LLP

(57) **CLAIM**

The ornamental design for a bug shower radio, as shown and described.

DESCRIPTION

FIG. 1 is a front perspective view of a bug shower radio, embodying my new design;

FIG. 2 is a front elevation view thereof;

FIG. 3 is a rear elevation view thereof;

FIG. 4 is a right side elevation view thereof;

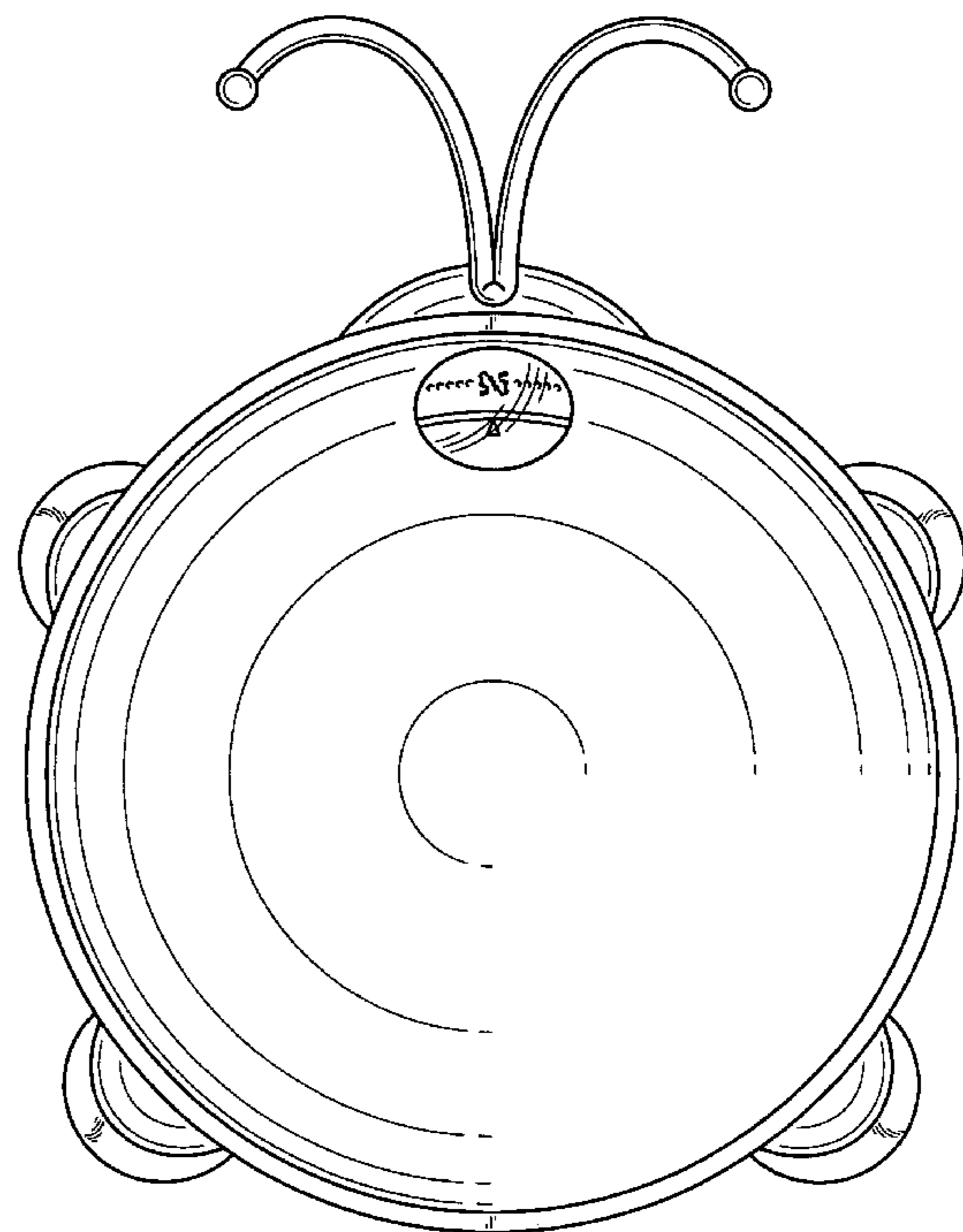
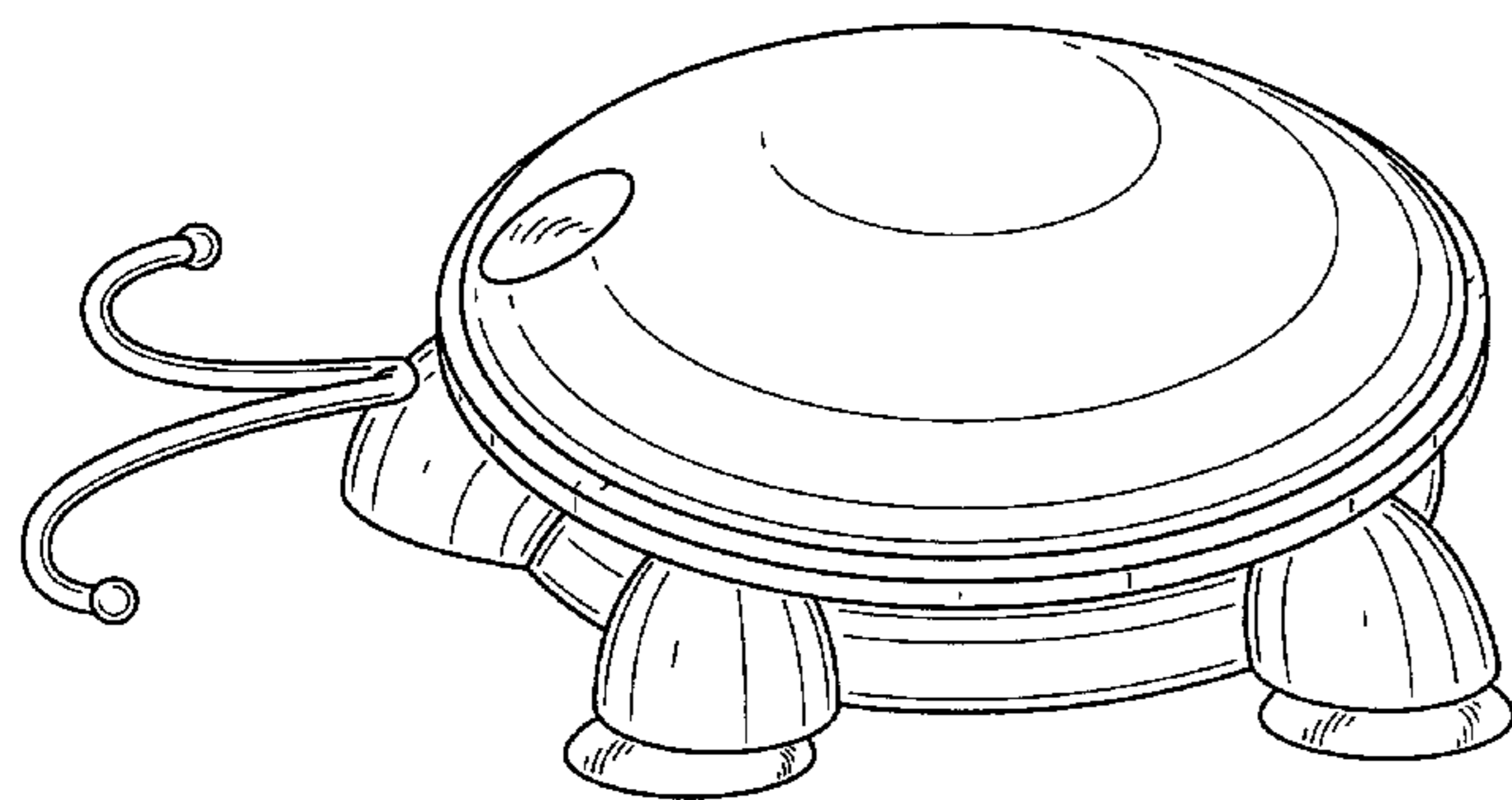
FIG. 5 is a left side elevation view thereof;

FIG. 6 is a top plan view thereof; and,

FIG. 7 is a bottom plan view thereof.

The broken lines represent the portions of the design that form no part of the claim.

1 Claim, 5 Drawing Sheets



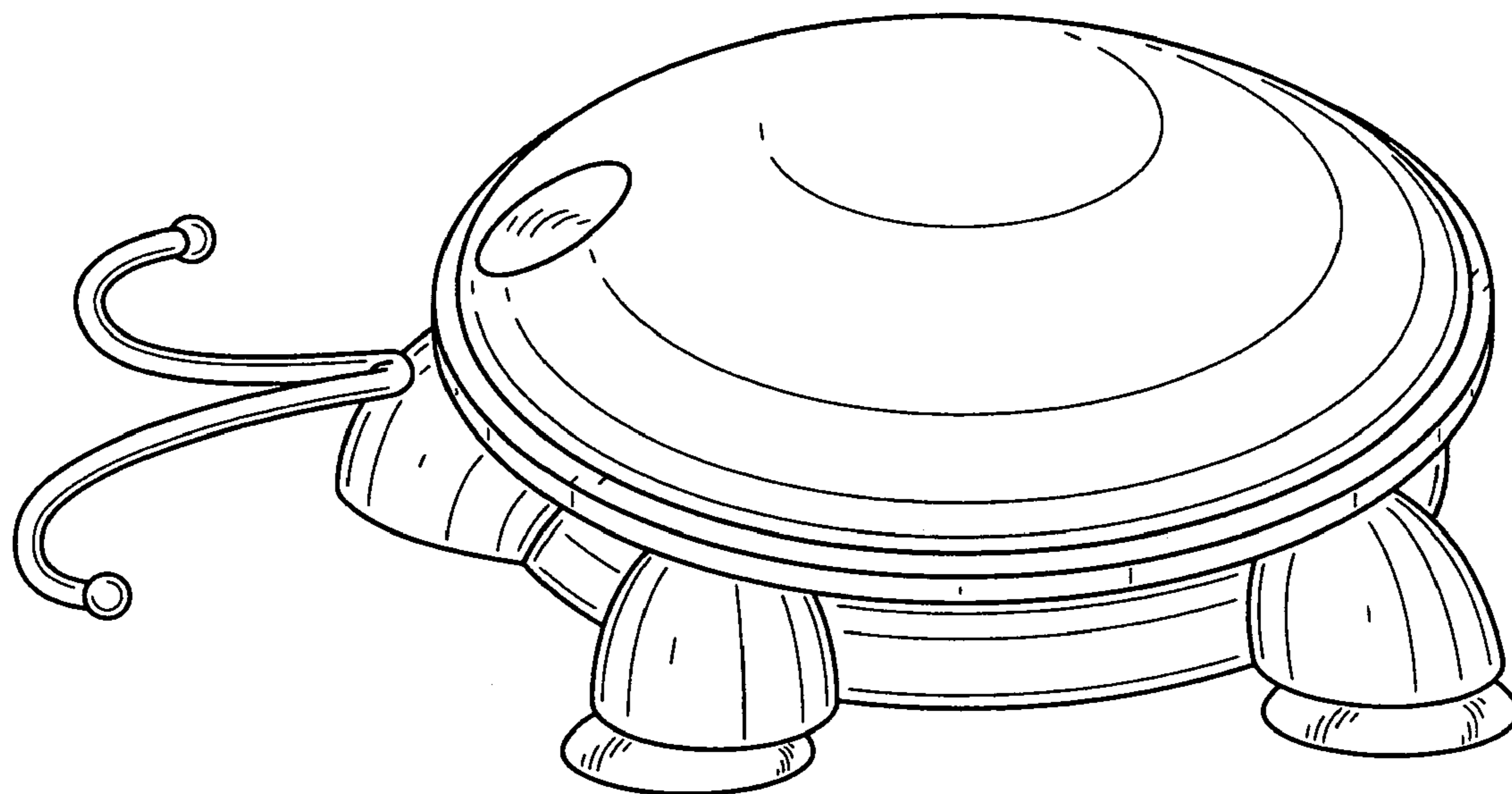


FIG. 1

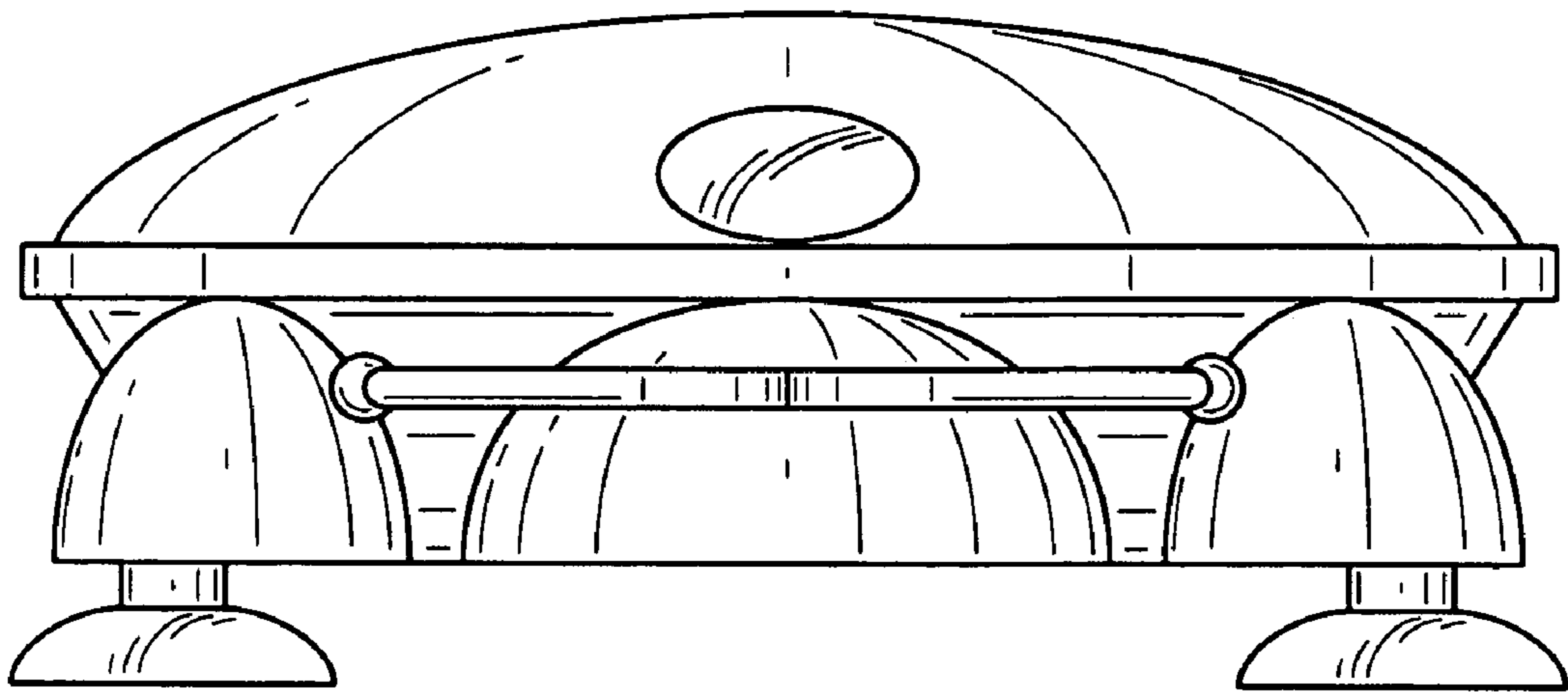


FIG. 2

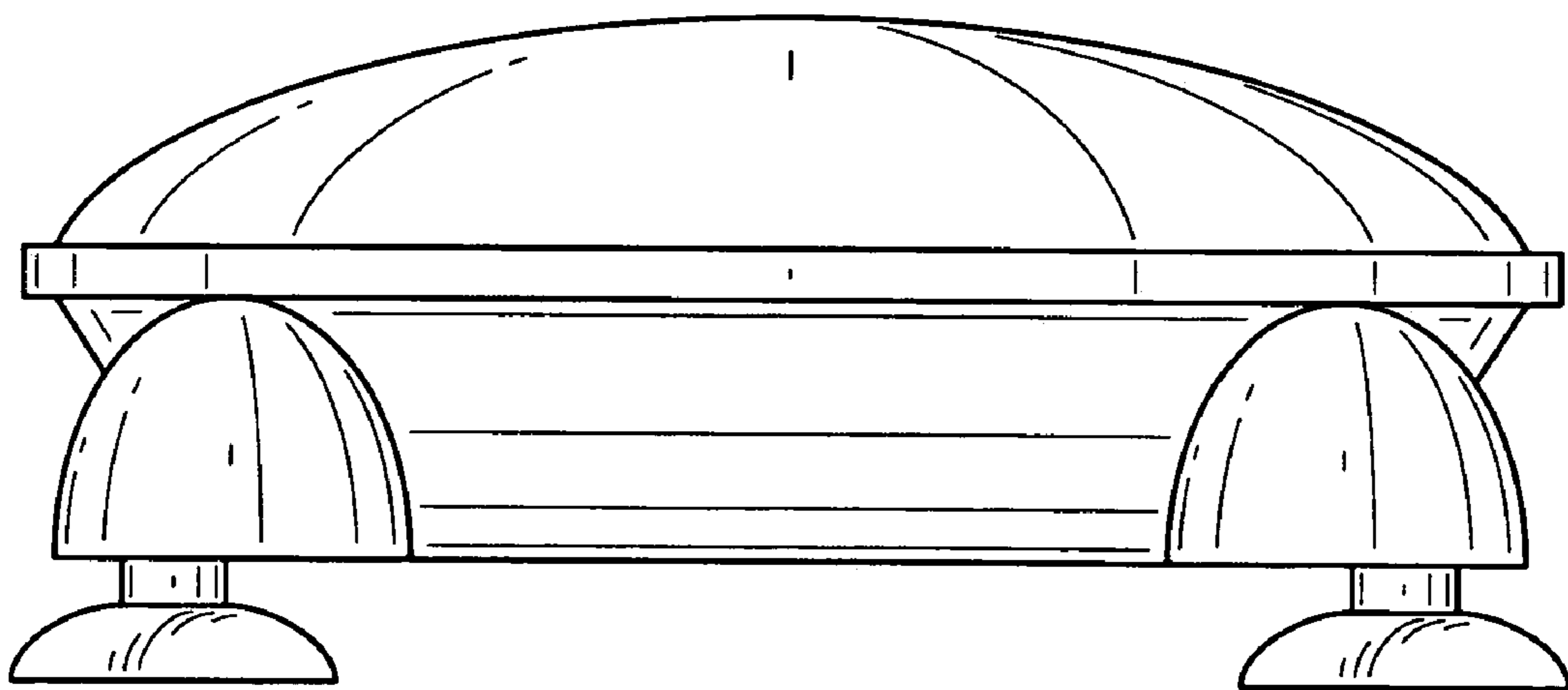


FIG. 3

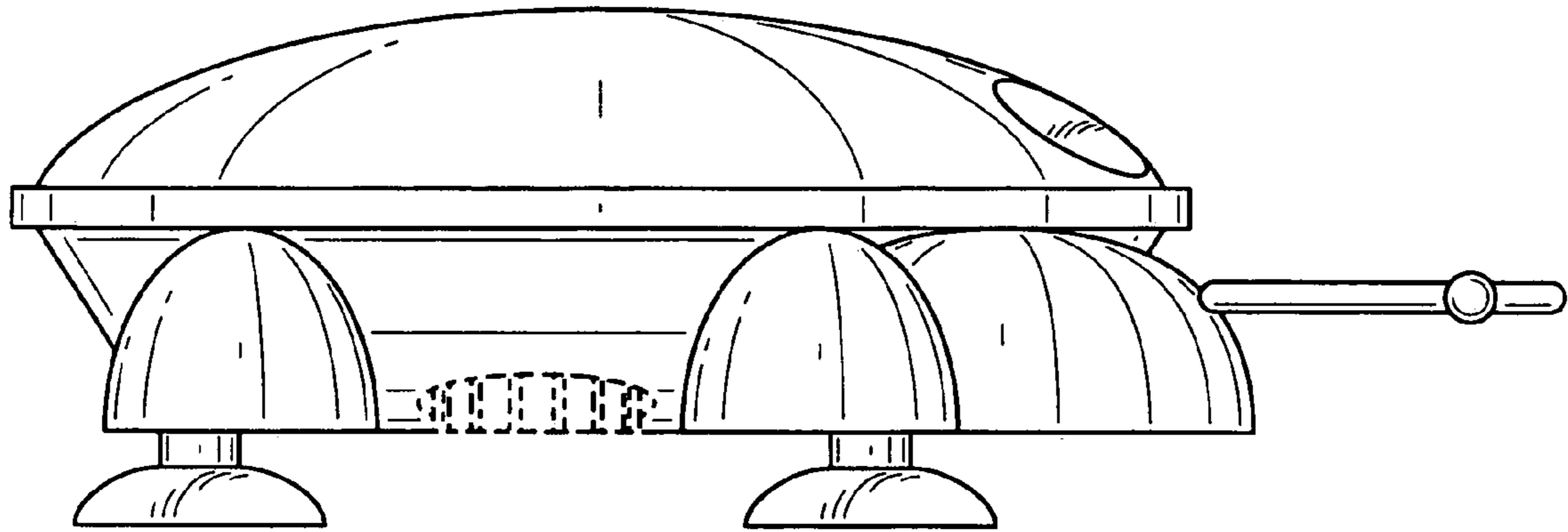


FIG. 4

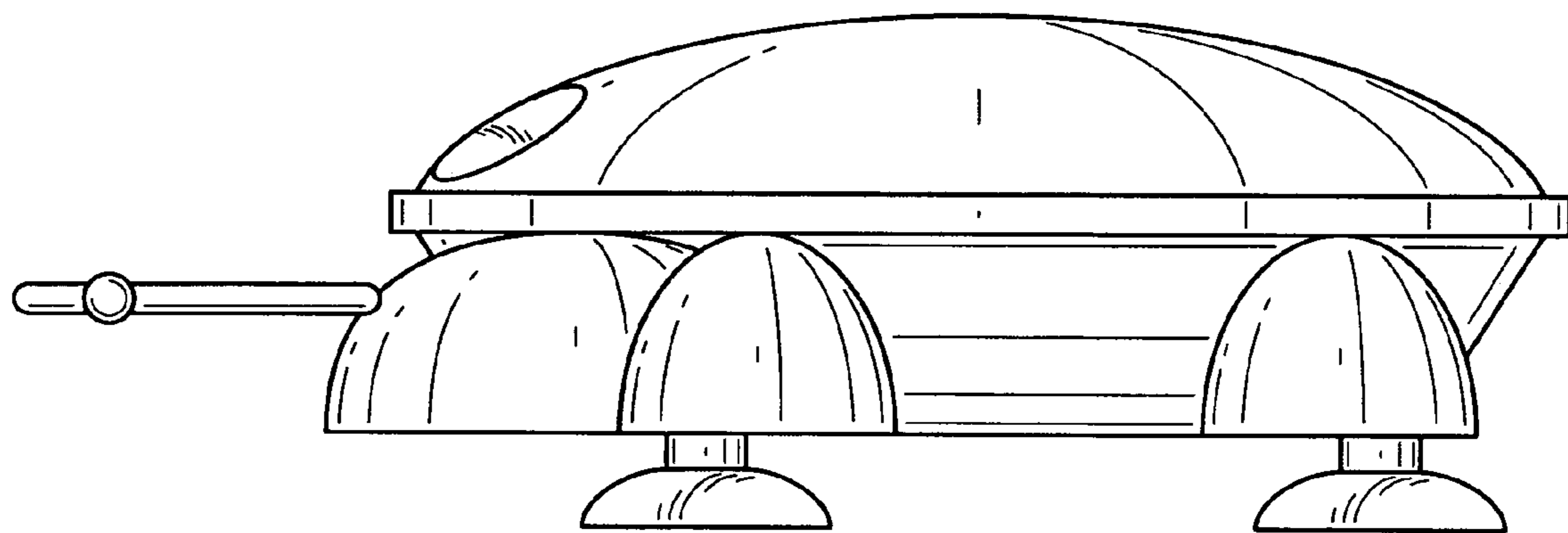


FIG. 5

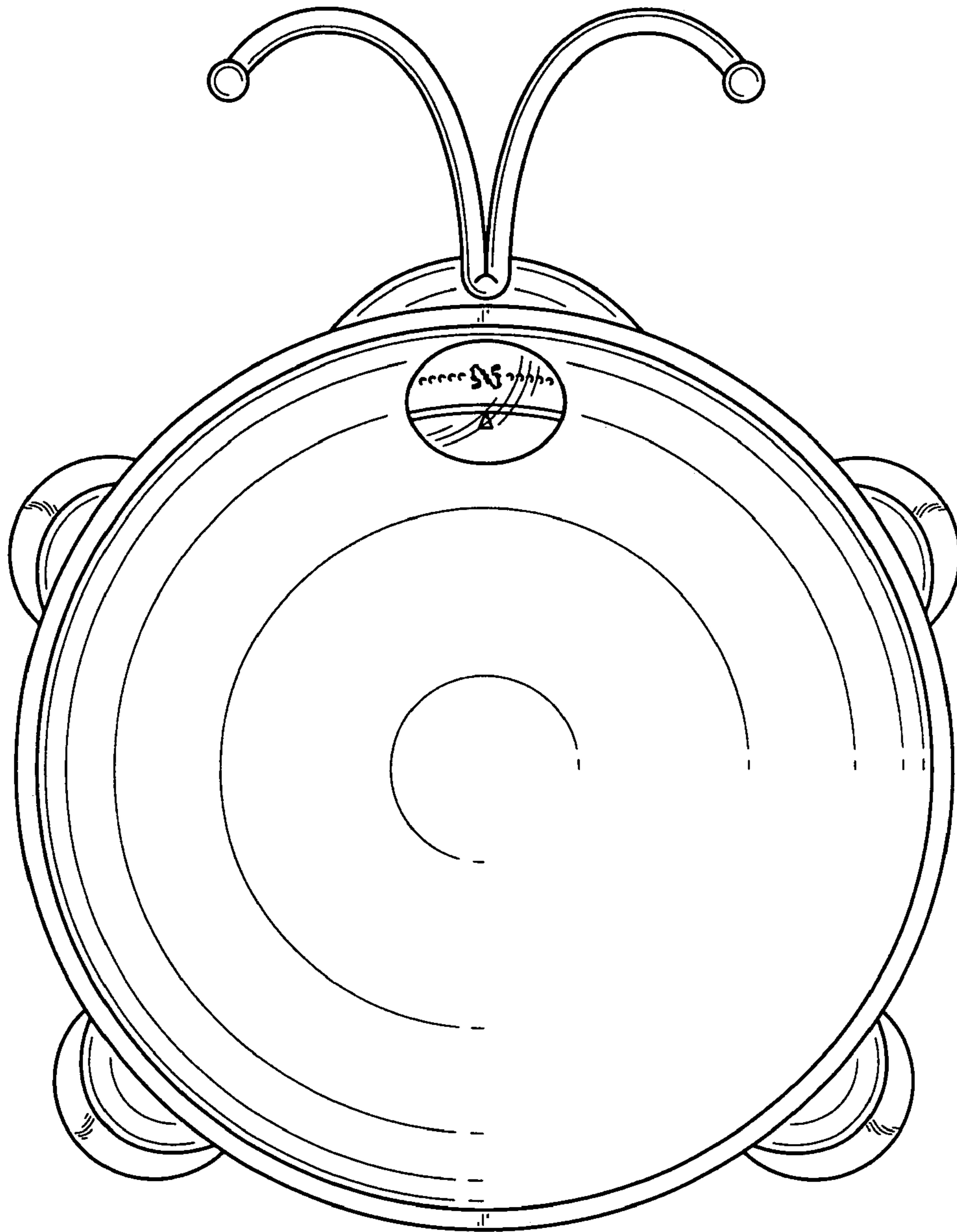


FIG. 6

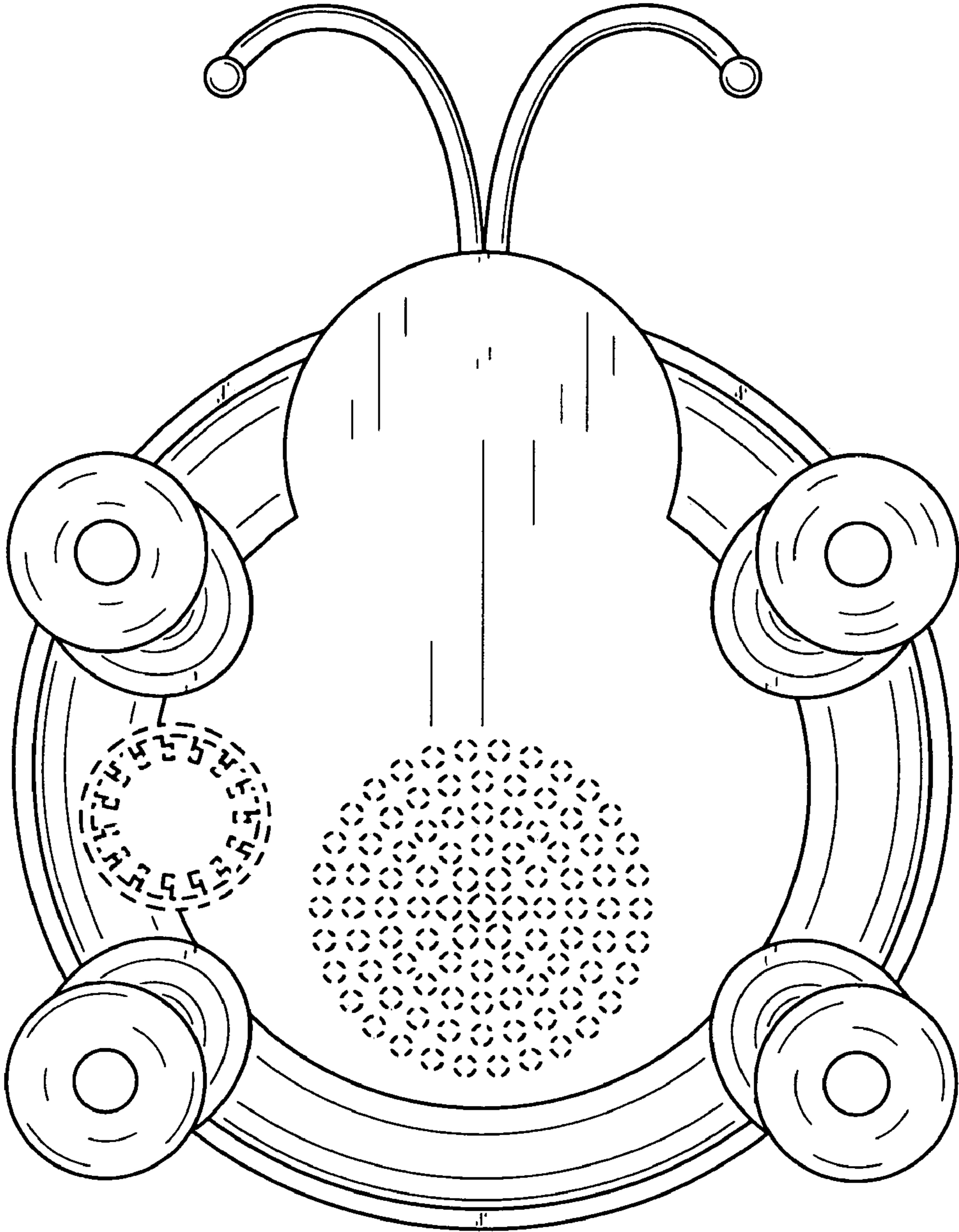


FIG. 7

UNITED STATES PATENT AND TRADEMARK OFFICE
CERTIFICATE OF CORRECTION

PATENT NO. : Des. 585,421 S
APPLICATION NO. : 29/301483
DATED : January 27, 2009
INVENTOR(S) : Christopher M. Petersen

Page 1 of 1

It is certified that error appears in the above-identified patent and that said Letters Patent is hereby corrected as shown below:

On the Title page, Item (73), under "Assignee", delete "Yahoo! Inc., Sunnyvale, CA (US)" and insert -- Brookstone Purchasing, Inc., Merrimack, NH (US) --, therefor.

Signed and Sealed this

Twenty-eighth Day of July, 2009



JOHN DOLL
Acting Director of the United States Patent and Trademark Office