



US00D585420S

(12) **United States Design Patent**
Suzuki

(10) **Patent No.:** **US D585,420 S**
(45) **Date of Patent:** **** Jan. 27, 2009**

(54) **DISC PLAYER FOR CAR**

D541,795 S * 5/2007 Kimura et al. D14/258
D542,261 S 5/2007 Uehara et al.

(75) Inventor: **Akio Suzuki**, Tokyo (JP)

FOREIGN PATENT DOCUMENTS

(73) Assignee: **Sony Corporation**, Tokyo (JP)

JP D1269507 S 4/2006
JP D1308408 S 8/2007

(**) Term: **14 Years**

* cited by examiner

(21) Appl. No.: **29/290,126**

Primary Examiner—Nanda Bondade

(22) Filed: **Oct. 24, 2007**

(74) *Attorney, Agent, or Firm*—Rader, Fishman & Grauer, PLLC

(30) **Foreign Application Priority Data**

(57) **CLAIM**

Apr. 25, 2007 (CN) 2007 3 0146819

The ornamental design for a disc player for car, as shown and described.

(51) **LOC (9) Cl.** **14-01**

(52) **U.S. Cl.** **D14/157**

(58) **Field of Classification Search** D14/135–136,
D14/156–157, 167–168, 198, 188, 217, 257,
D14/258, 445; 360/99.02, 137, 99.07; 369/75.11,
369/75.21, 77.21, 77.11; 720/612, 619, 647,
720/655; 455/344, 347–351

DESCRIPTION

See application file for complete search history.

FIG. 1 is a perspective view of a disc player for car showing my new design;

FIG. 2 is a front elevational view thereof;

FIG. 3 is a rear elevational view thereof;

FIG. 4 is a left side elevational view thereof;

FIG. 5 is a right side elevational view thereof;

FIG. 6 is a top plan view thereof; and,

FIG. 7 is a bottom plan view thereof.

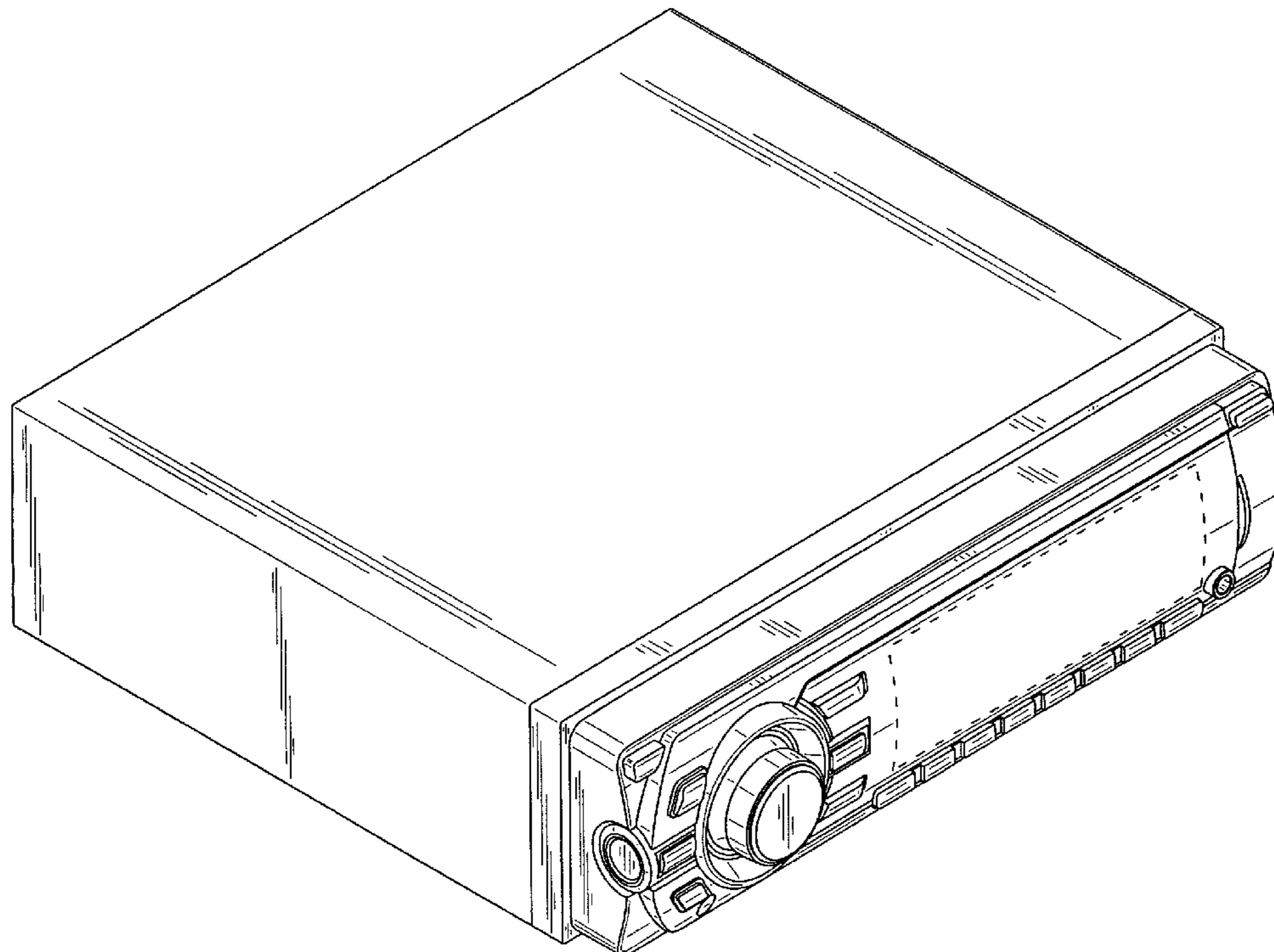
The broken line showing of the drawing disclosure is for illustrative purposes only and forms no part of the claimed design.

(56) **References Cited**

U.S. PATENT DOCUMENTS

D400,529 S * 11/1998 Kakizaki D14/157
D483,732 S * 12/2003 Yoshihara D14/157
D496,931 S * 10/2004 Yoshihara D14/258
D528,088 S 9/2006 Suzuki
D537,056 S * 2/2007 Endo et al. D14/136
D538,776 S 3/2007 Suzuki
D540,288 S * 4/2007 Yoshihara et al. D14/136

1 Claim, 7 Drawing Sheets



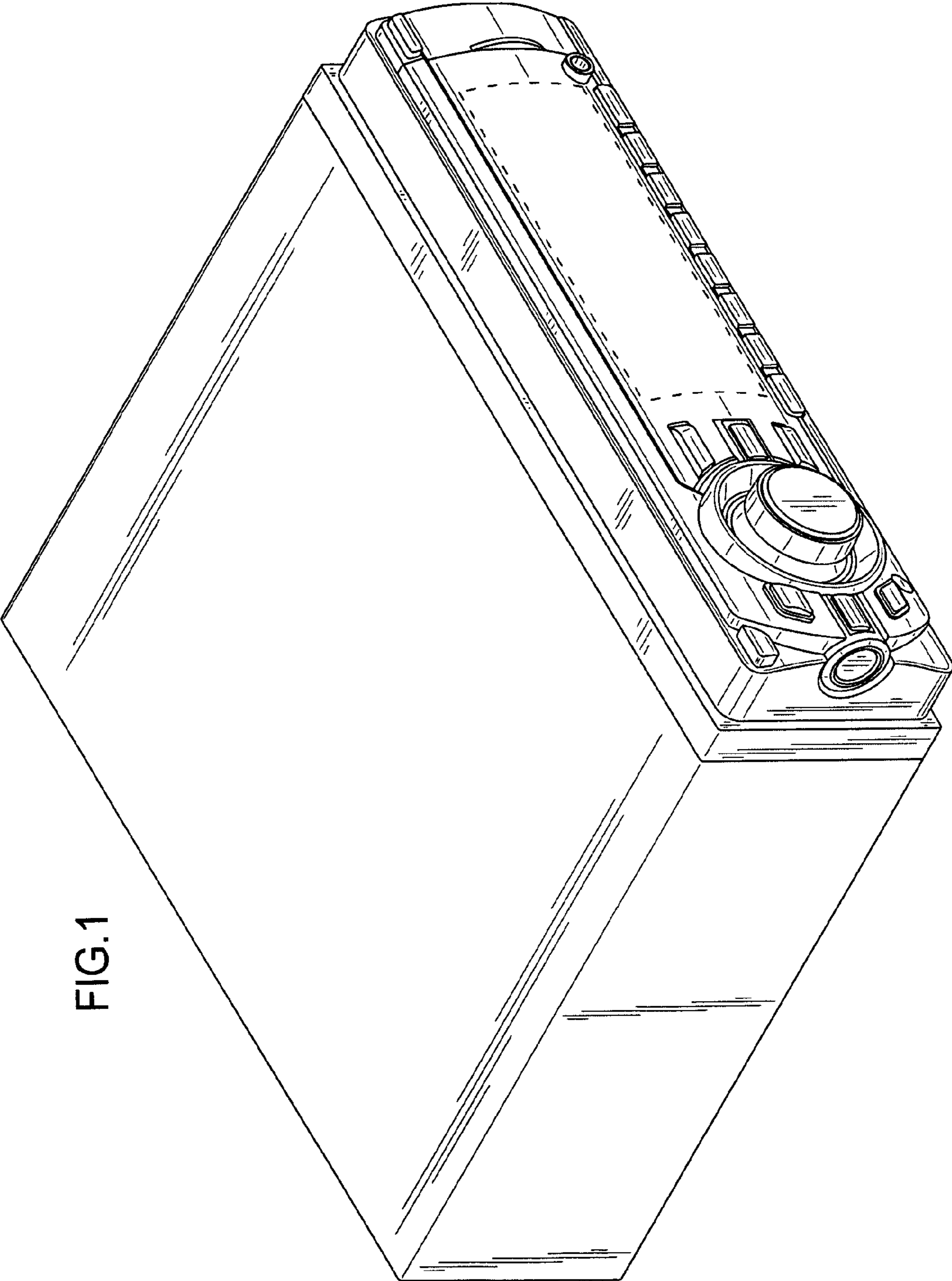


FIG.1

FIG.2

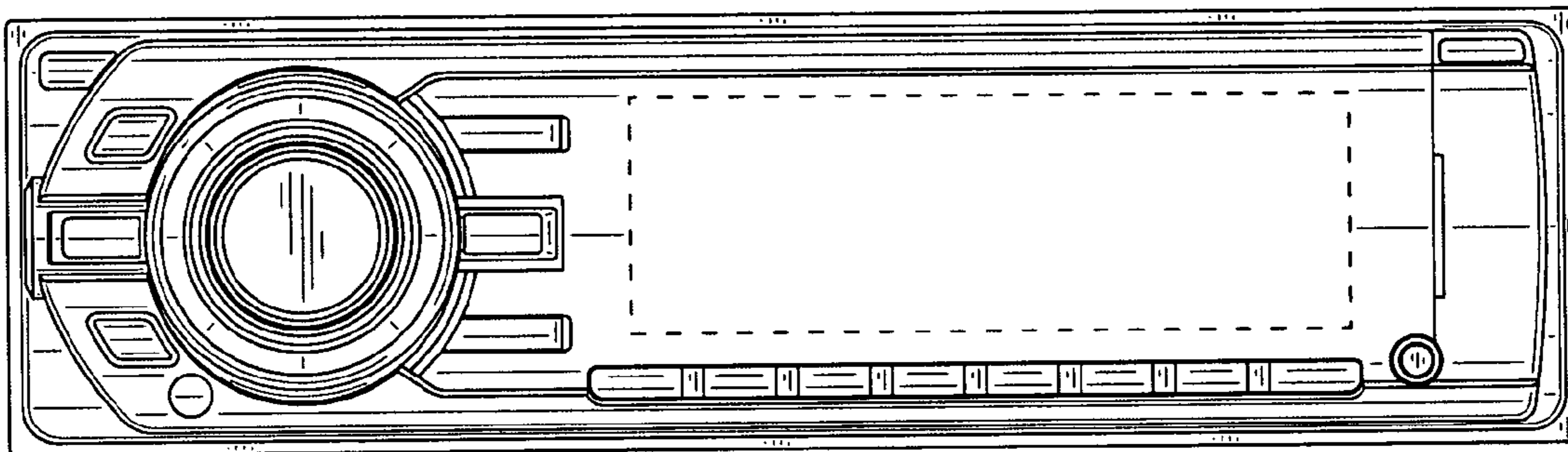


FIG.3

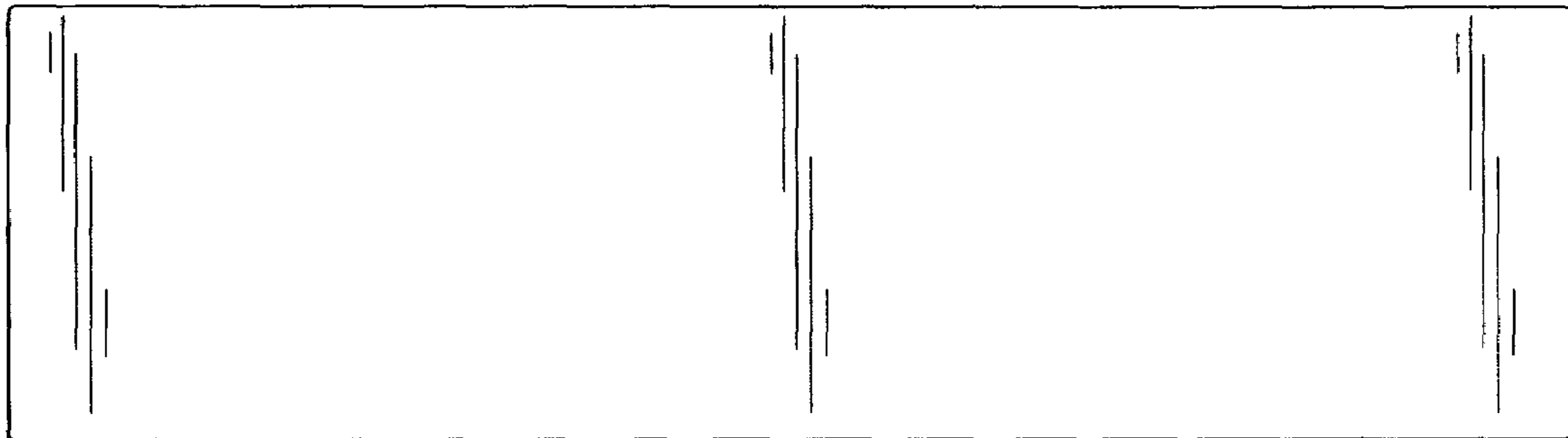


FIG.4

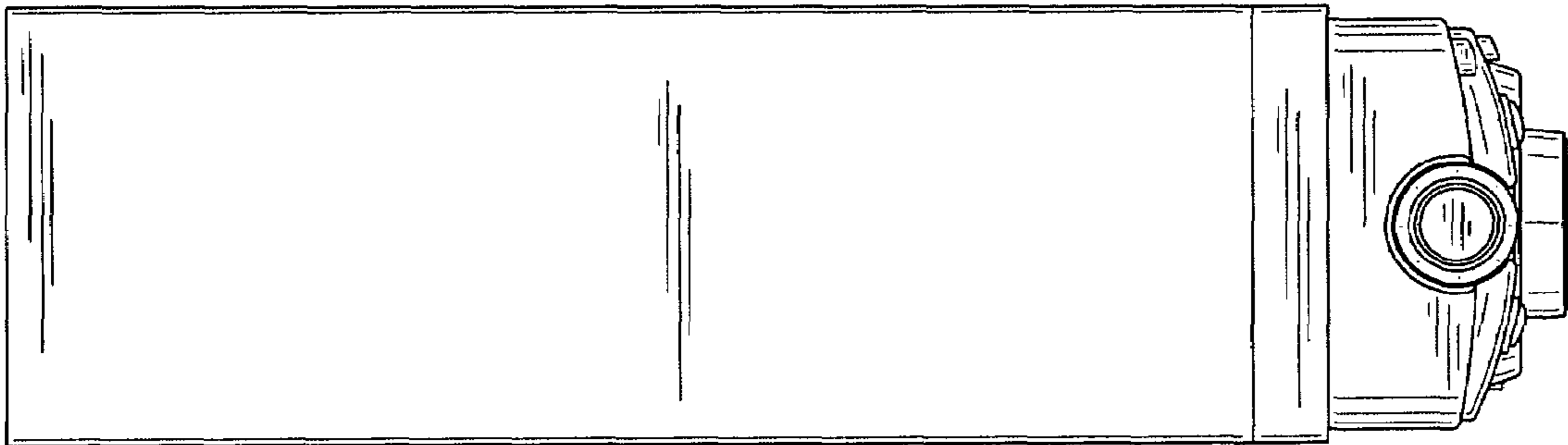


FIG.5

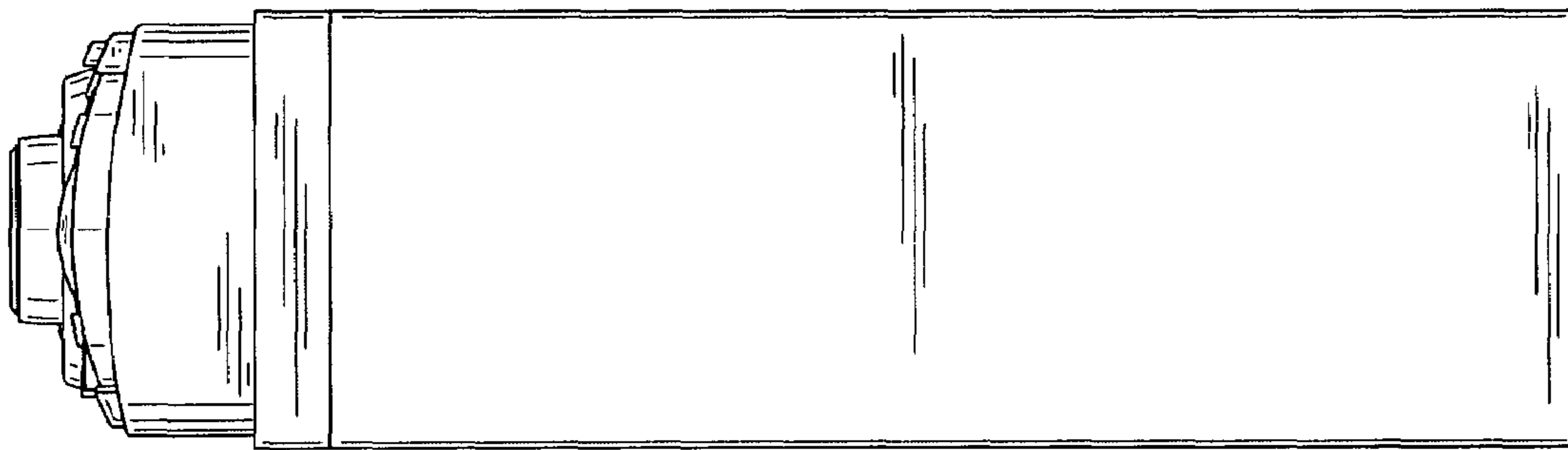


FIG.6

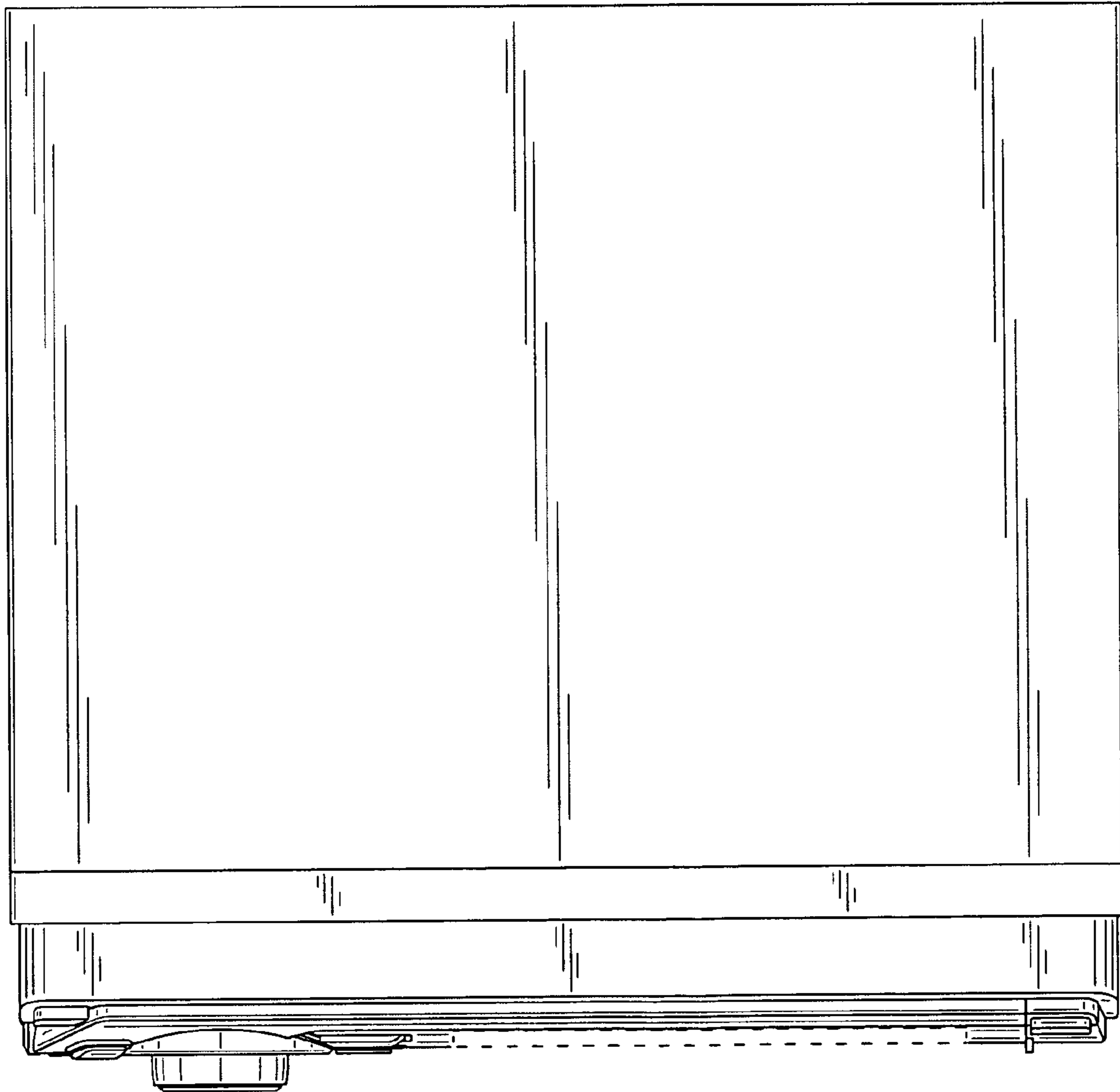


FIG.7

