



US00D585419S

(12) **United States Design Patent**  
**Lee**

(10) **Patent No.:** **US D585,419 S**  
(45) **Date of Patent:** **\*\* Jan. 27, 2009**

(54) **TELEPHONE**

(75) Inventor: **Dong-Kyu Lee**, Kyunggi-do (KR)

(73) Assignee: **Samsung Electronics Co., Ltd.**,  
Kyunggi-Do (KR)

(\*\*) Term: **14 Years**

(21) Appl. No.: **29/301,675**

(22) Filed: **Mar. 12, 2008**

(51) **LOC (9) Cl.** ..... **14-03**

(52) **U.S. Cl.** ..... **D14/150; D14/130; D14/240**

(58) **Field of Classification Search** ..... D14/130,  
D14/137, 140, 140.1, 140.8, 141.1, 141.3,  
D14/142, 149-151, 158-159, 168, 171-172,  
D14/188, 211, 214, 225-226, 240, 243, 251,  
D14/253, 299, 336, 215, 167; 379/387.01,  
379/388.02, 420.02, 447, 453, 434; 381/16;  
D13/107-108; 191/12.2 R

See application file for complete search history.

(56) **References Cited**

**U.S. PATENT DOCUMENTS**

4,875,234	A	*	10/1989	Tragatschnig	.....	379/434
D327,479	S	*	6/1992	Britz	.....	D14/225
D331,747	S	*	12/1992	Takahashi	.....	D14/336
D387,065	S	*	12/1997	Volan et al.	.....	D14/243
D394,258	S	*	5/1998	Fitzgerald	.....	D14/150
D421,603	S		3/2000	Meurer		
D434,399	S	*	11/2000	Lanet	.....	D14/130
D469,071	S	*	1/2003	Hsu	.....	D14/142
D471,542	S	*	3/2003	Sim	.....	D14/240
D481,370	S	*	10/2003	Popowski et al.	.....	D14/150
D489,358	S	*	5/2004	Chen	.....	D14/215
D511,764	S	*	11/2005	Tokioka	.....	D14/167

D552,071	S		10/2007	Park et al.		
D552,588	S		10/2007	Park et al.		
D556,189	S	*	11/2007	Bourne et al.	.....	D14/240
D557,248	S	*	12/2007	Wada et al.	.....	D14/150
D559,225	S		1/2008	Denhez et al.		

**OTHER PUBLICATIONS**

General Electric 27956FE1 PhotoPhone, <http://www.101phones.com/details/3174-6853/GE-RCA-Designer-Phones-27956FE1-%2b-Free-Headset.html>, retrieved from internet Oct. 22, 2008 1:15:26 PM.\*

U.S. Appl. No. 29/301,674, Applicant: Dong-Kyu Lee, filed Mar. 12, 2008 entitled Telephone.

\* cited by examiner

*Primary Examiner*—Charles A Rademaker

*Assistant Examiner*—Carla Jobe Wright

(74) *Attorney, Agent, or Firm*—Flynn, Thiel, Boutell & Tanis, P.C.

(57) **CLAIM**

The ornamental design for a telephone, as shown and described.

**DESCRIPTION**

FIG. 1 is a top front perspective view of a telephone showing my new design;

FIG. 2 is a front elevational view thereof;

FIG. 3 is a rear elevational view thereof;

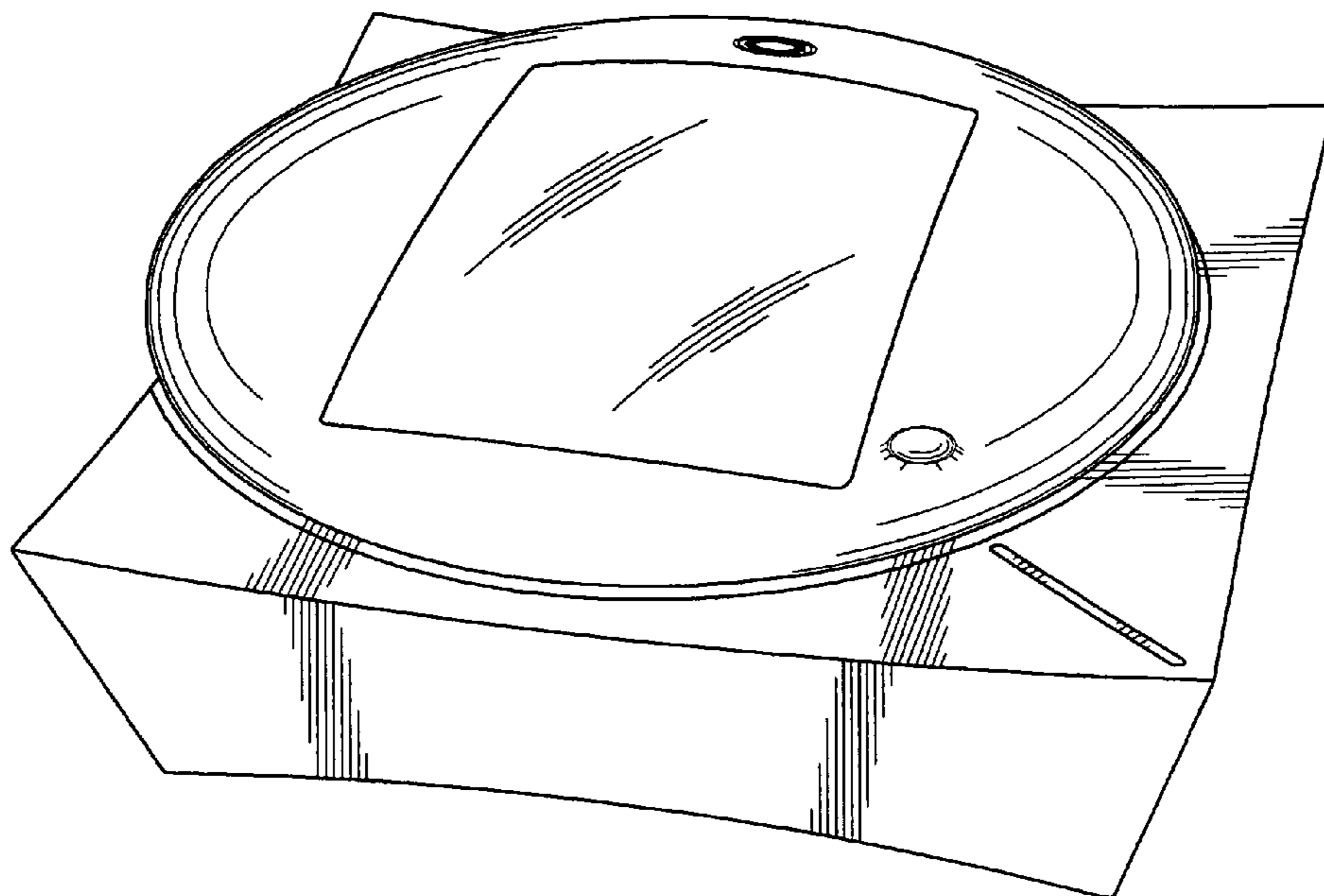
FIG. 4 is a left side elevational view thereof;

FIG. 5 is a right side elevational view thereof;

FIG. 6 is a top plan view thereof; and,

FIG. 7 is a bottom plan view thereof.

**1 Claim, 5 Drawing Sheets**



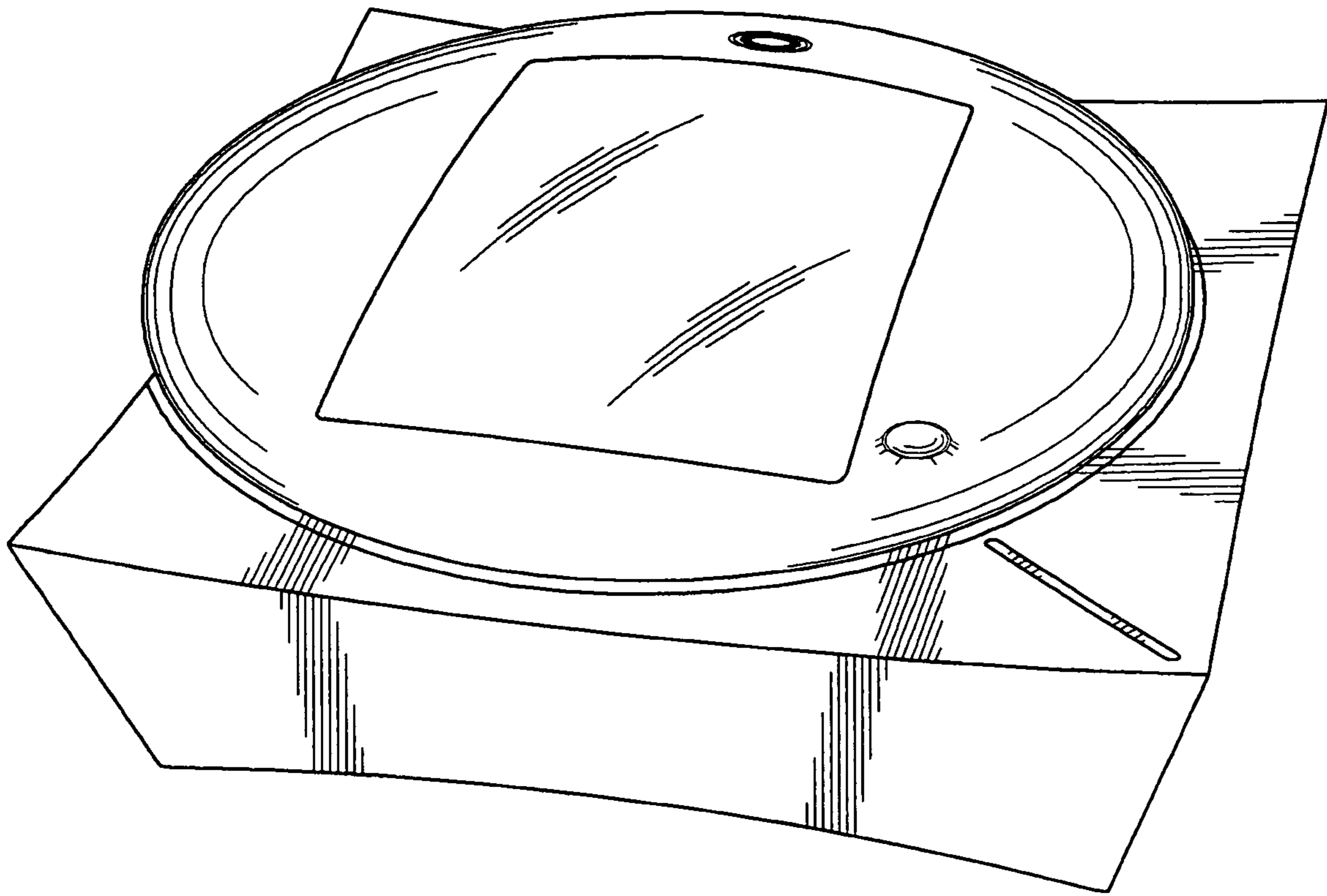


FIG.1

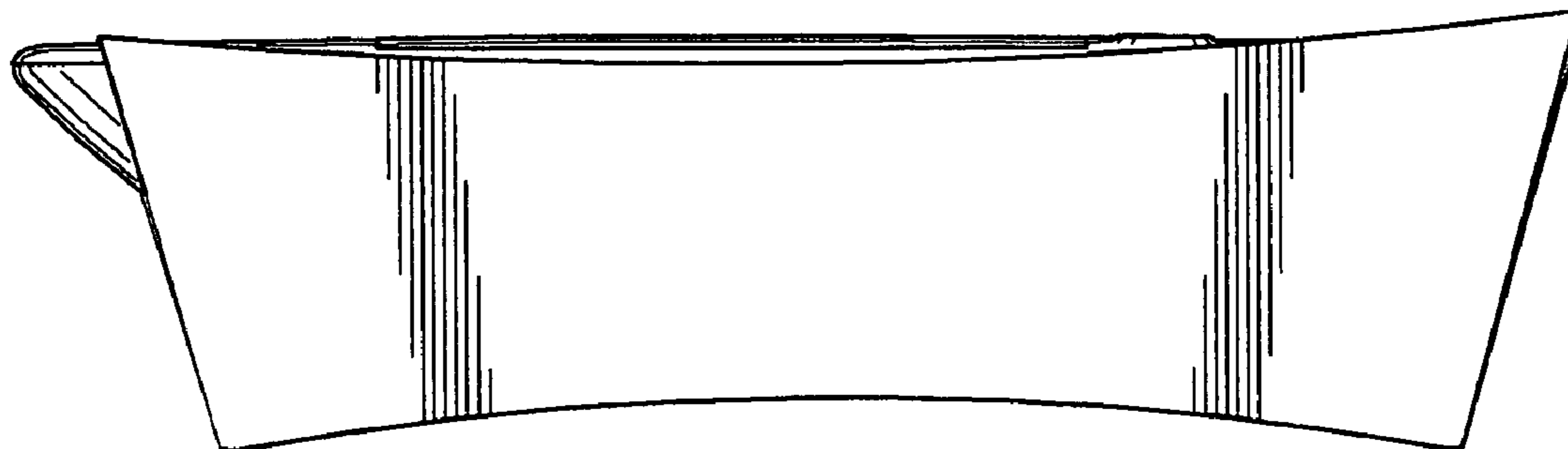


FIG. 2

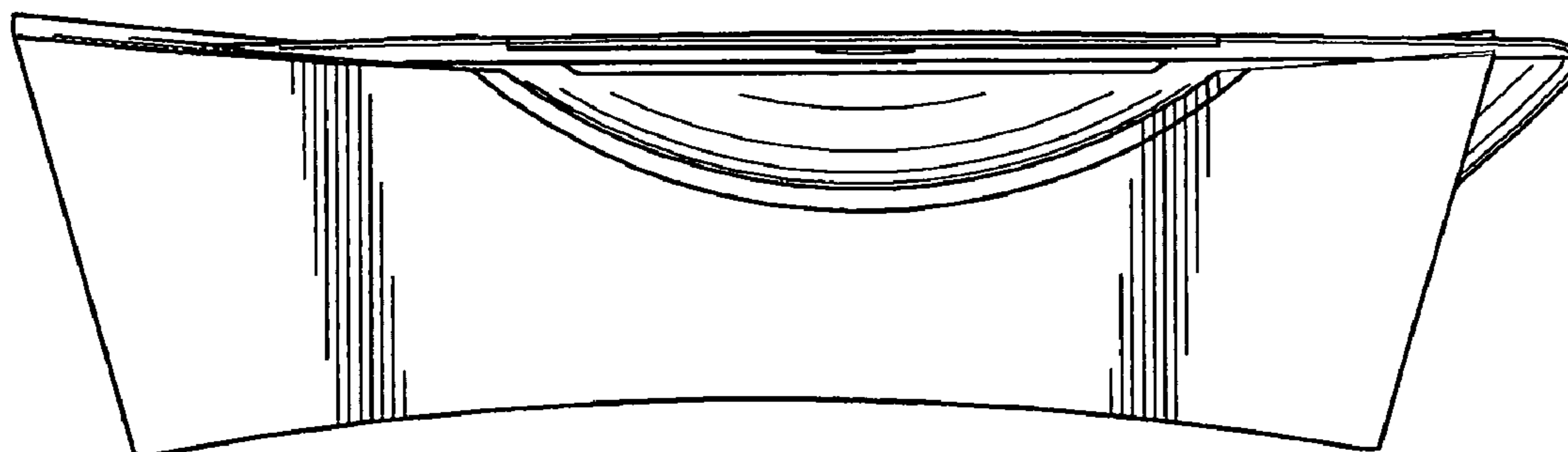


FIG. 3

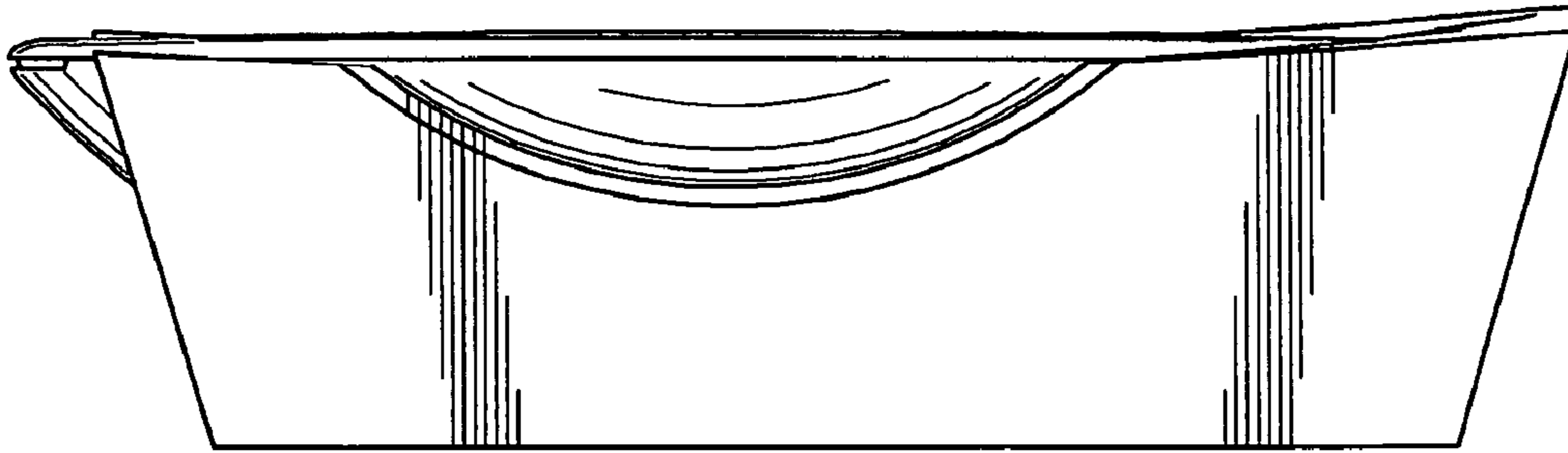


FIG. 4

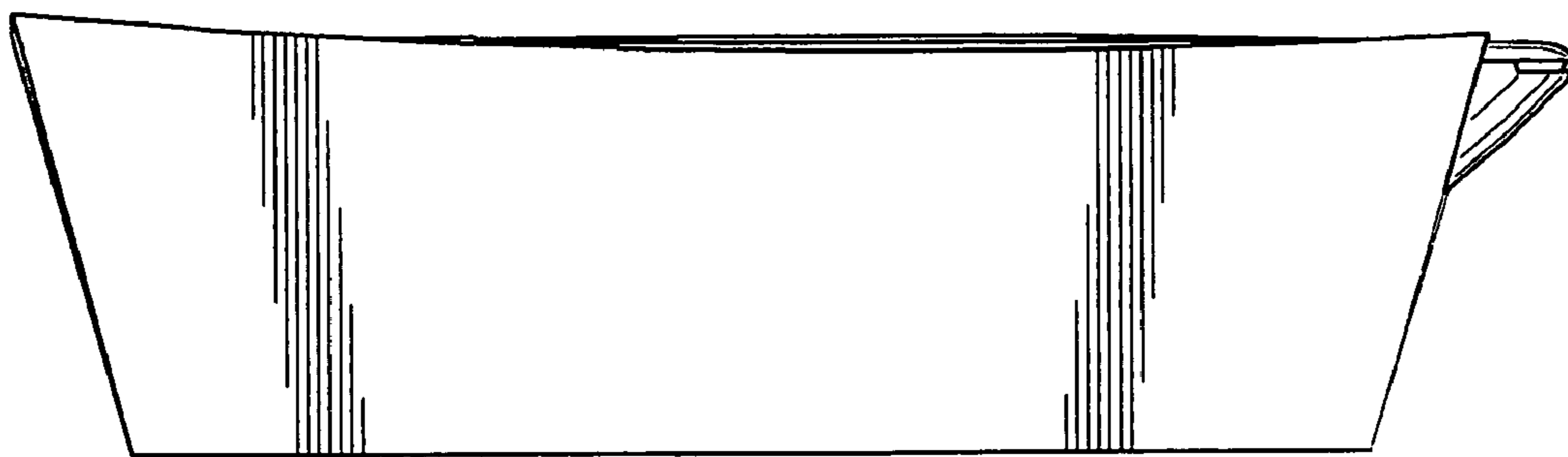


FIG. 5

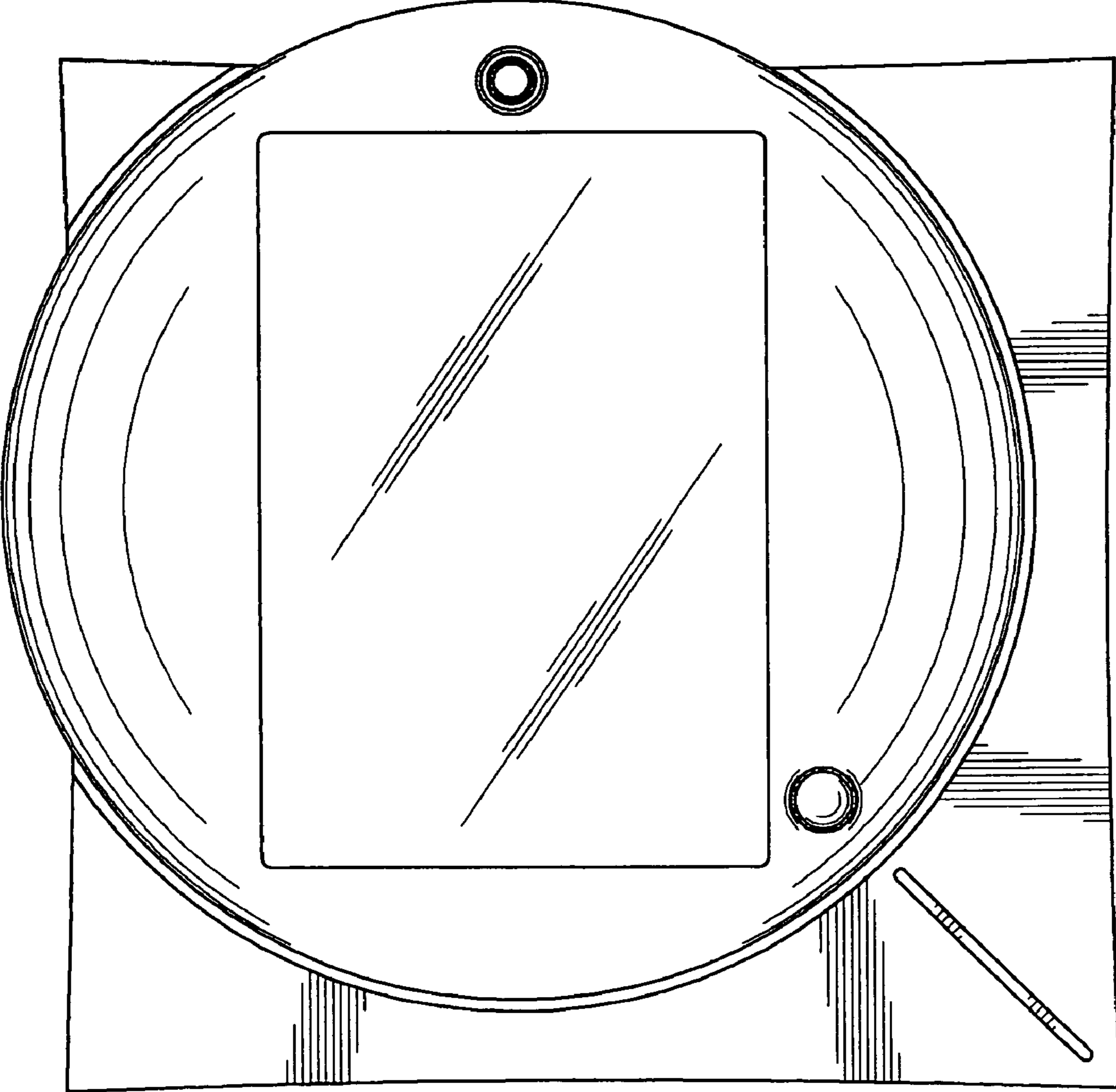


FIG. 6

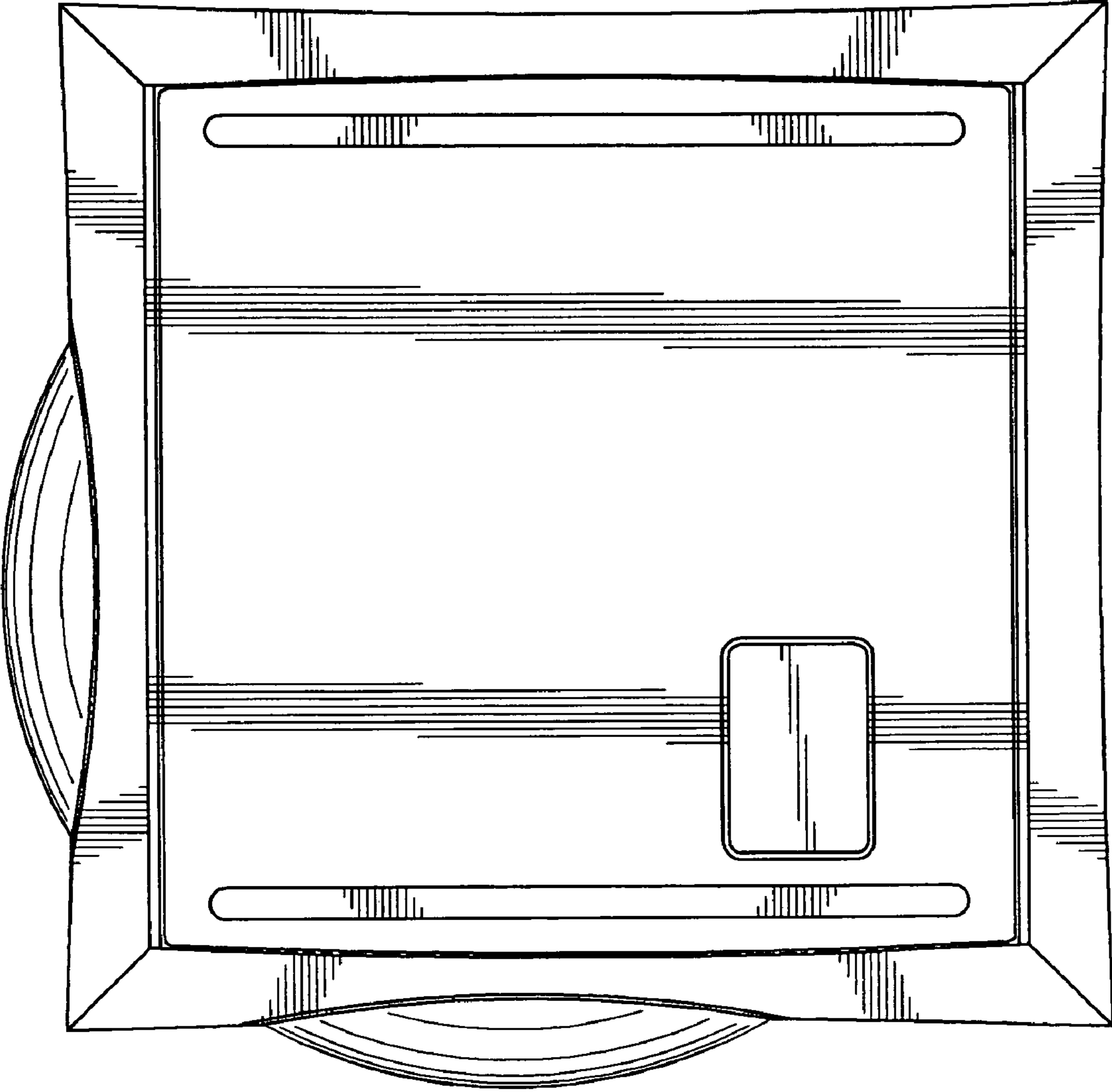


FIG. 7