



US00D585409S

(12) **United States Design Patent**
Kim

(10) **Patent No.:** **US D585,409 S**
(45) **Date of Patent:** **** Jan. 27, 2009**

(54) **CELLULAR PHONE**

(75) Inventor: **Min Kim**, Seoul (KR)

(73) Assignee: **LG Electronics Inc.**, Seoul (KR)

(**) Term: **14 Years**

(21) Appl. No.: **29/290,798**

(22) Filed: **Jan. 15, 2008**

(30) **Foreign Application Priority Data**

Jul. 24, 2007 (KR) 30-2007-0031941

(51) **LOC (9) Cl.** **14-03**

(52) **U.S. Cl.** **D14/138 AB**

(58) **Field of Classification Search** D14/138,
D14/496, 341, 345, 346; 455/575.3, 575.1
See application file for complete search history.

(56) **References Cited**

U.S. PATENT DOCUMENTS

- D398,305 S * 9/1998 Kasbekar et al. D14/138 AB
- D443,293 S * 6/2001 Chan D18/7
- 6,269,256 B1 * 7/2001 Nakamura 455/567
- D460,759 S * 7/2002 West et al. D14/374
- D468,279 S * 1/2003 Kim et al. D14/138 AB
- D475,987 S * 6/2003 Lee et al. D14/138 AB
- D478,517 S * 8/2003 Law D10/65
- D484,918 S * 1/2004 Okada et al. D21/330
- D500,480 S * 1/2005 Daw D14/138 AB
- D512,073 S * 11/2005 Rodarte D14/136
- D518,019 S * 3/2006 Ching D14/156
- D525,230 S * 7/2006 Kim et al. D14/138 AB
- D551,645 S * 9/2007 Kim et al. D14/138 AB
- D555,169 S * 11/2007 Shimizu et al. D14/496
- D560,186 S * 1/2008 Kim et al. D14/138 AB
- D560,634 S * 1/2008 Lee D14/138 AB
- 7,321,789 B2 * 1/2008 Ishihara et al. 455/575.3

- D562,288 S * 2/2008 Suk et al. D14/138 AD
- D563,358 S * 3/2008 Baik et al. D14/138 AB
- D563,365 S * 3/2008 Kim D14/138 AB
- D563,935 S * 3/2008 Kim et al. D14/138 AD
- D566,670 S * 4/2008 Huang D14/138 AB
- D566,671 S * 4/2008 Lee D14/138 AA
- D570,319 S * 6/2008 Lee et al. D14/138 R
- 2002/0094846 A1 * 7/2002 Kishimoto et al. 455/566
- 2007/0049357 A1 * 3/2007 Daimon et al. 455/575.1

OTHER PUBLICATIONS

Samsung Serene telephone, announced Oct. 2005, [online], [site visited Sep. 9, 2008]. Available from Internet ,<URL: <http://www.gsmarena.com>>.*

(Continued)

Primary Examiner—Jeffrey D Asch

(74) *Attorney, Agent, or Firm*—Morgan Lewis & Bockius LLP

(57) **CLAIM**

The ornamental design for a cellular phone, as shown and described.

DESCRIPTION

FIG. 1 is a front, right perspective of the cellular phone showing my new design;

FIG. 2 is a front view thereof;

FIG. 3 is a rear view thereof;

FIG. 4 is a left side view thereof,

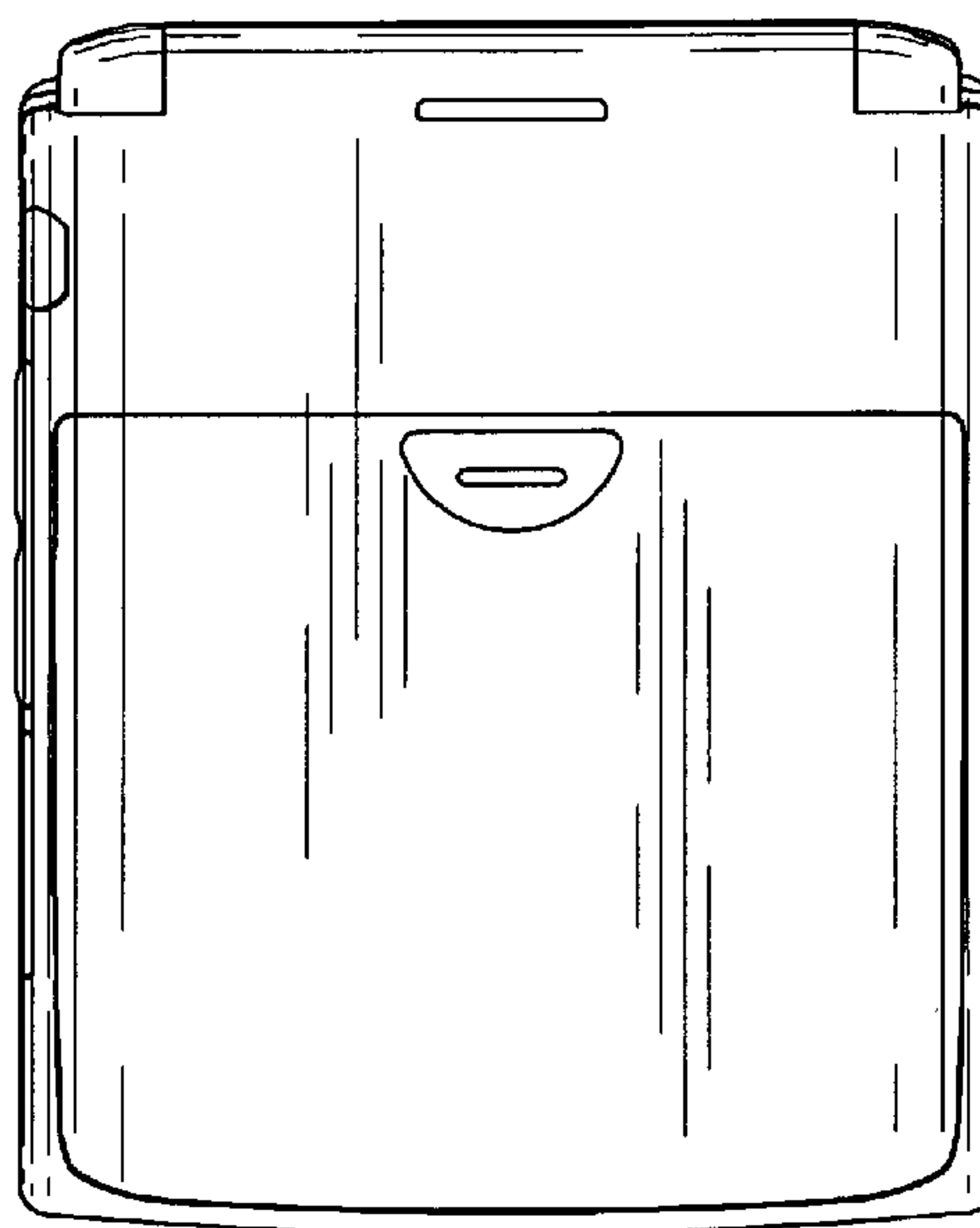
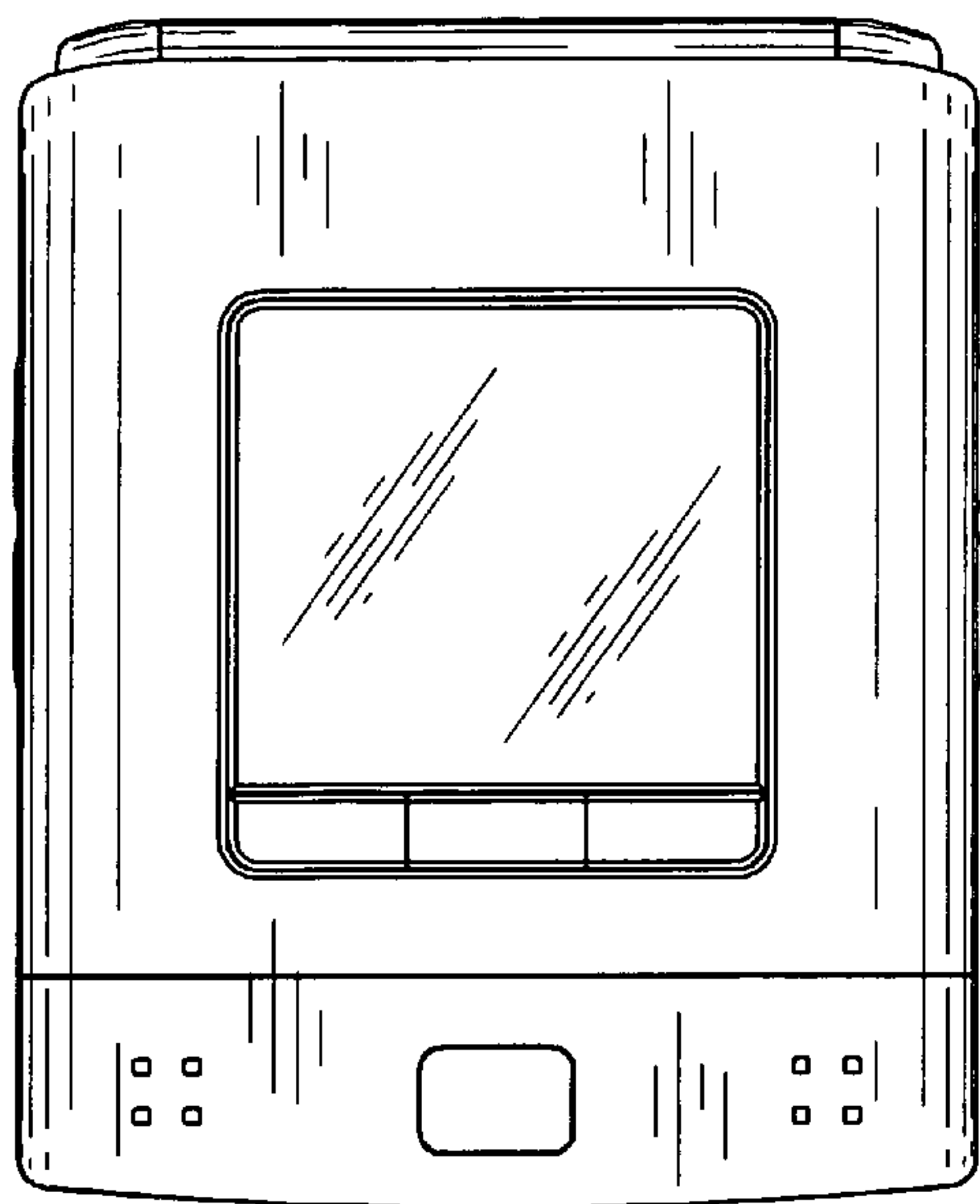
FIG. 5 is a right side view thereof,

FIG. 6 is a top plan view thereof,

FIG. 7 is a bottom plan view thereof; and,

FIG. 8 is an open perspective view.

1 Claim, 5 Drawing Sheets



OTHER PUBLICATIONS

LG P7200 telephone, announced Aug. 2005, [online], [site visited Sep. 9, 2008]. Available from Internet ,<URL: <http://www.gsmarena.com>>.*

Sharp GX40 telephone, announced 2nd quarter 2005, [online], [site visited Sep. 9, 2008]. Available from Internet , <URL: <http://www.gsmarena.com>>.*

BenQ-Siemens EF81 telephone, announced Jan. 2006, [online], [site visited Sep. 9, 2008]. Available from Internet , <URL: <http://www.gsmarena.com>>.*

BenQ Z2 telephone, announced 1st quarter 2005, [online], [site visited Sep. 9, 2008]. Available from Internet ,<URL: <http://www.gsmarena.com>>.*

NEC N910 telephone, announced 1st quarter 2004, [online], [site visited Sep. 9, 2008]. Available from Internet ,<URL: <http://www.gsmarena.com>>.*

NEC 802 telephone, announced 3rd quarter 2004, [online], [site visited Sep. 9, 2008]. Available from Internet ,<URL: <http://www.gsmarena.com>>.*

* cited by examiner

Fig.1

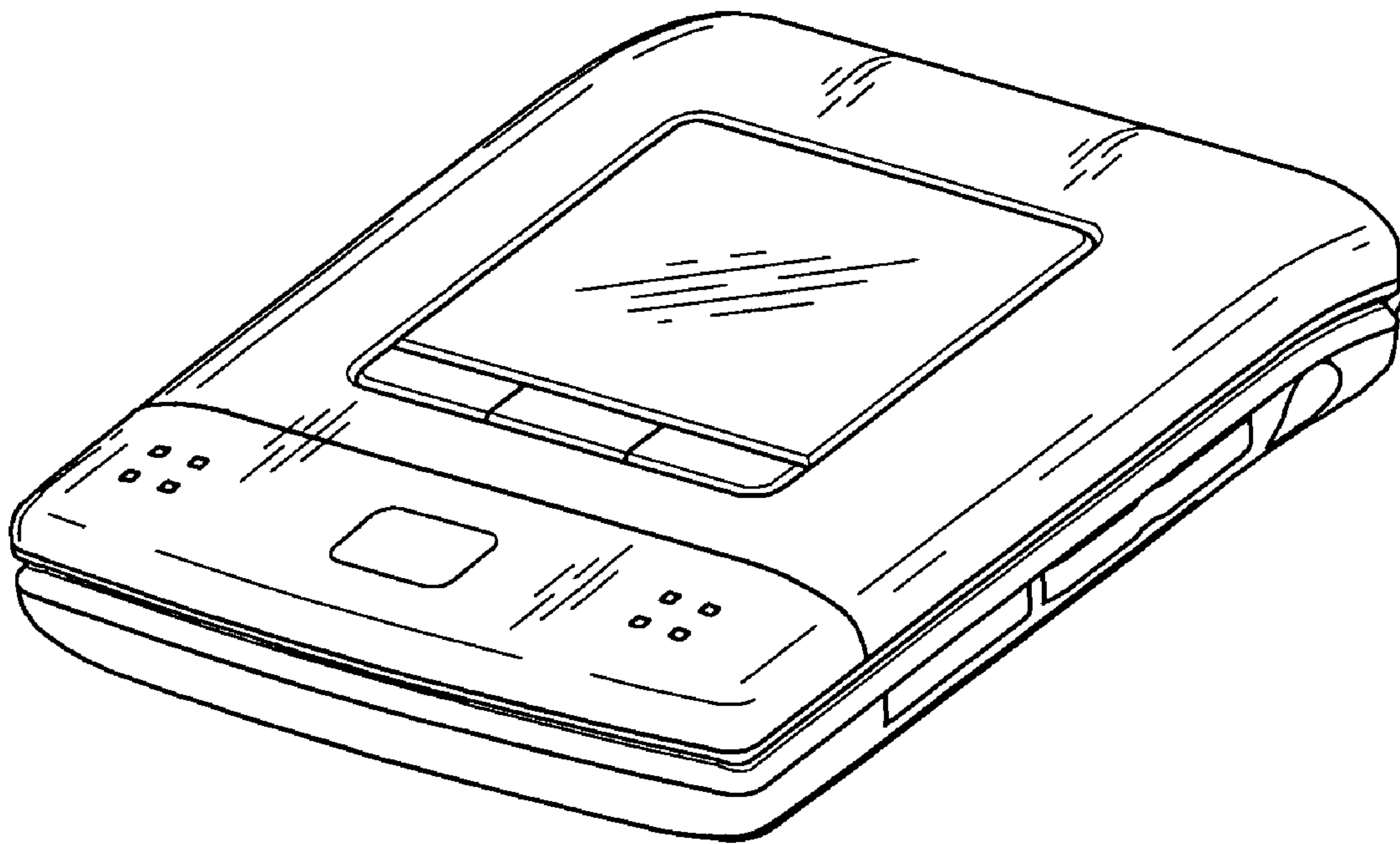


Fig.2

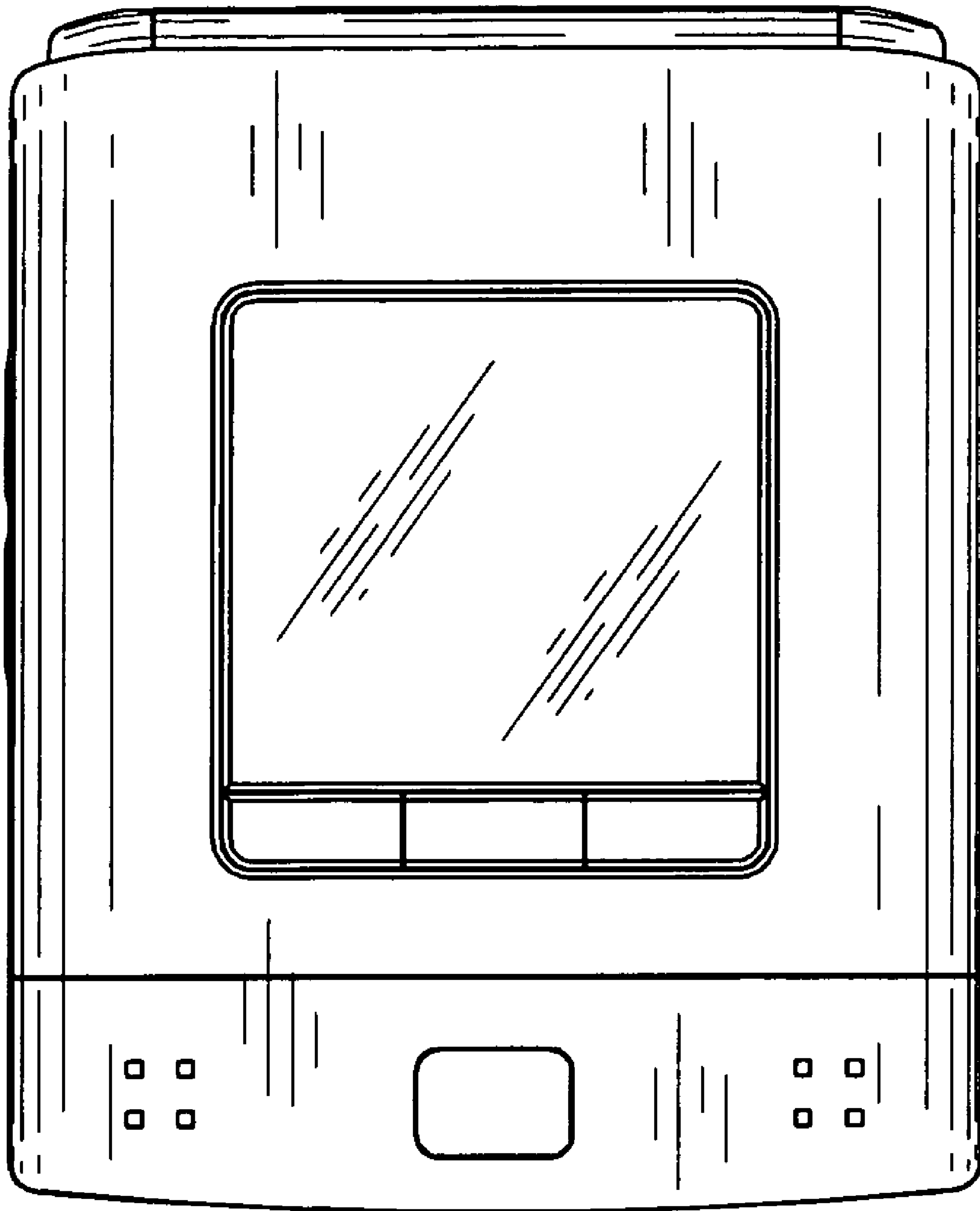


Fig.3

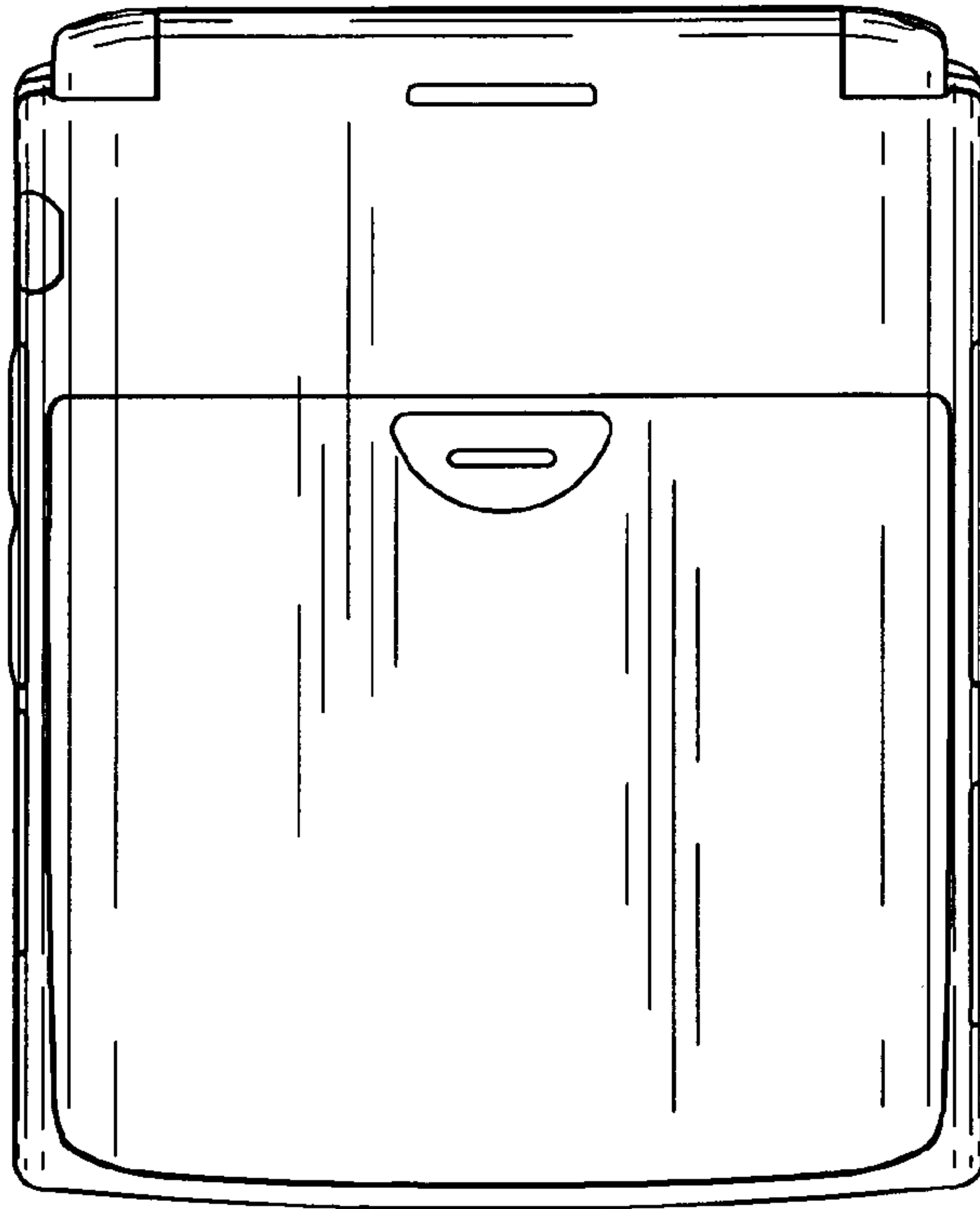


Fig.4

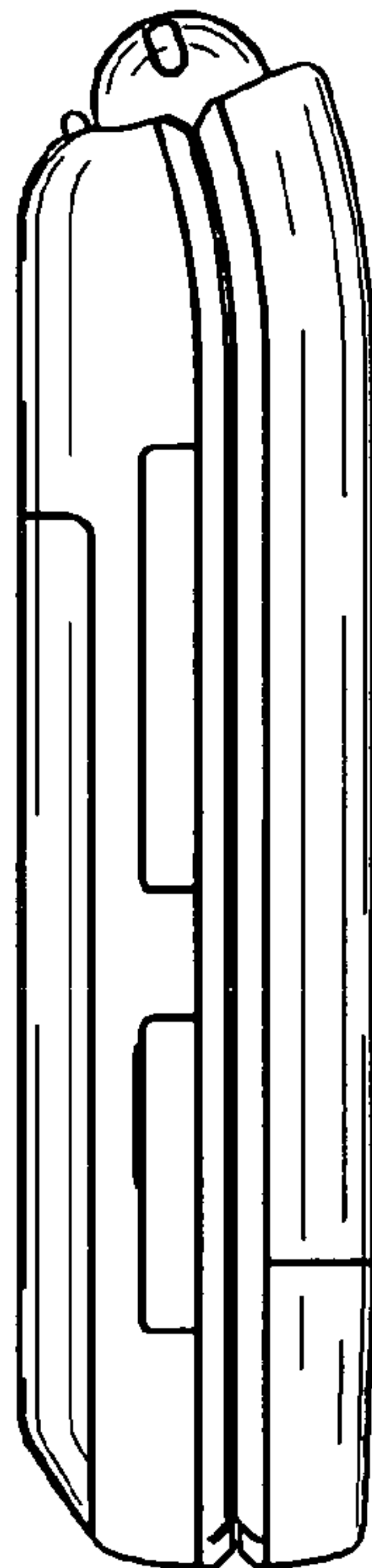


Fig.5

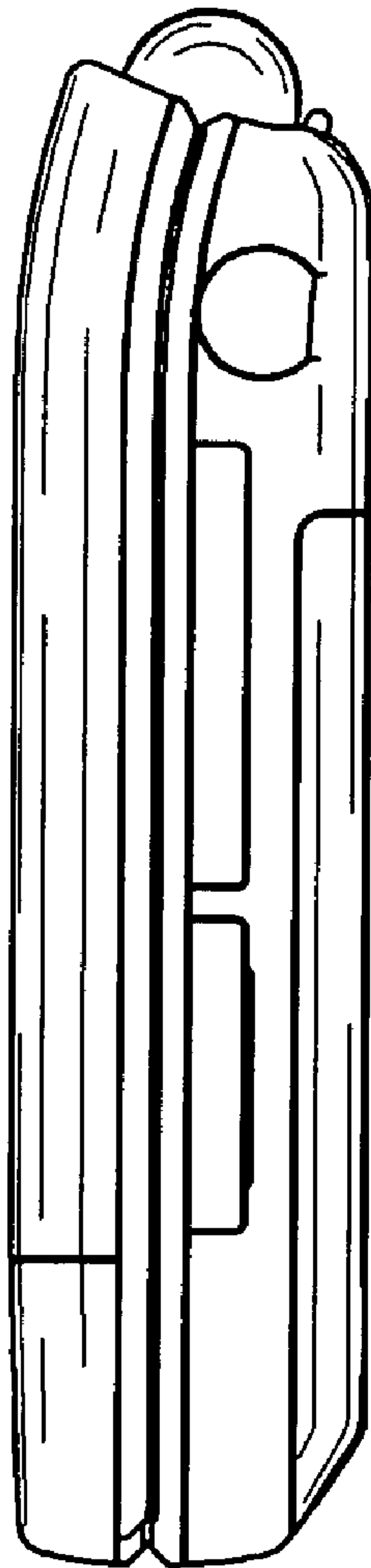


Fig.6

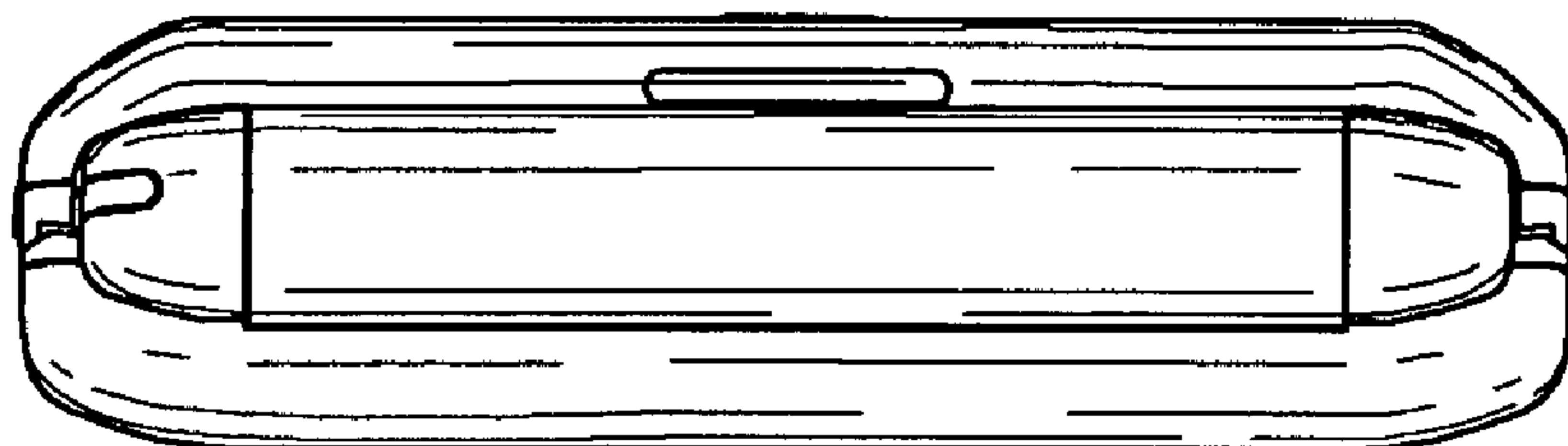


Fig.7

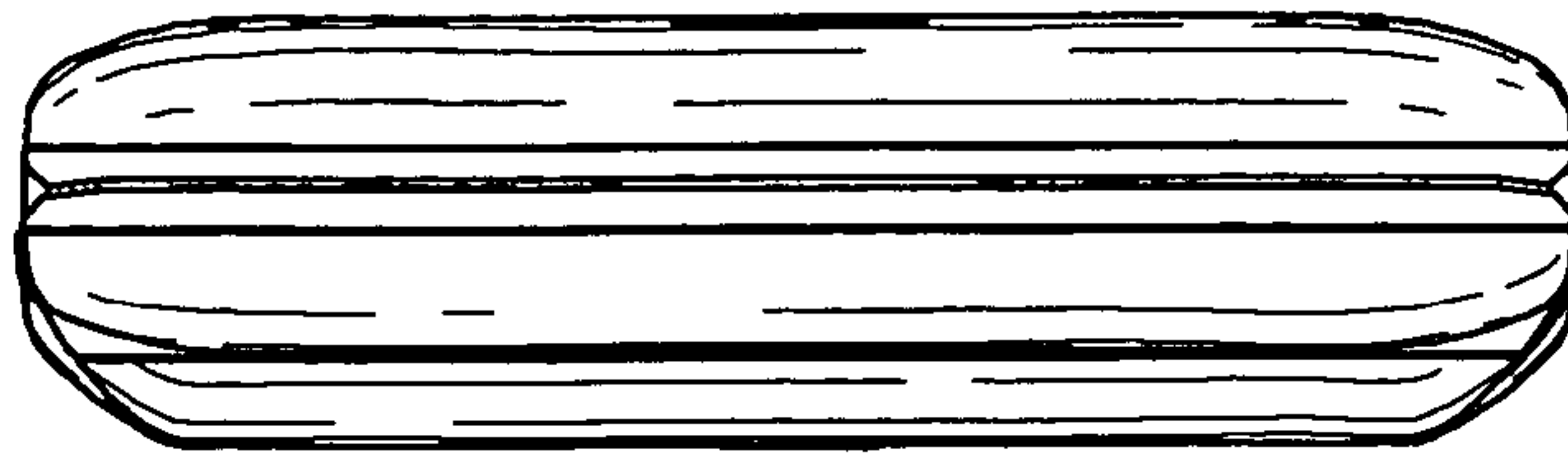


Fig.8

