



US00D585406S

(12) **United States Design Patent**  
**Morrison et al.**

(10) **Patent No.:** **US D585,406 S**  
(45) **Date of Patent:** **\*\* Jan. 27, 2009**

(54) **PORTABLE PHONE**

(75) Inventors: **Jasper Morrison**, London (GB);  
**Chang-Soo Lee**, Incheon (KR);  
**Sang-Min Hyun**, Seoul (KR); **Kyung Jun Kwon**, Hanam-si (KR)

(73) Assignee: **Samsung Electronics Co., Ltd.**,  
Suwon-Si (KR)

(\*\*) Term: **14 Years**

(21) Appl. No.: **29/287,205**

(22) Filed: **Jul. 10, 2007**

(30) **Foreign Application Priority Data**

Jan. 10, 2007 (KR) ..... 30-2007-0001340

(51) **LOC (9) Cl.** ..... **14-03**

(52) **U.S. Cl.** ..... **D14/138 AB**

(58) **Field of Classification Search** ..... D14/138,  
D14/496, 341, 345, 346; 455/575.3, 575.1  
See application file for complete search history.

(56) **References Cited**

**U.S. PATENT DOCUMENTS**

D492,275	S	*	6/2004	Lin et al.	.....	D14/138	AB
D500,480	S	*	1/2005	Daw	.....	D14/138	AB
D502,480	S	*	3/2005	Nagayama	.....	D16/202	
D519,522	S	*	4/2006	Lee	.....	D14/136	
D528,527	S	*	9/2006	Lee et al.	.....	D14/138	AB
D531,156	S	*	10/2006	Ahn et al.	.....	D14/138	C
D538,772	S	*	3/2007	Cha et al.	.....	D14/138	AB
D559,217	S	*	1/2008	Helin et al.	.....	D14/138	AB
D561,199	S	*	2/2008	Morisawa	.....	D14/496	
D564,486	S	*	3/2008	Miyazaki et al.	.....	D14/138	AB
D568,852	S	*	5/2008	Park	.....	D14/138	AB
D570,815	S	*	6/2008	Son et al.	.....	D14/138	AD
D572,228	S	*	7/2008	Kwon et al.	.....	D14/138	

D573,123	S	*	7/2008	Kim et al.	.....	D14/138	
D575,757	S	*	8/2008	Chung et al.	.....	D14/138	
D576,131	S	*	9/2008	Park	.....	D14/138	R
D576,132	S	*	9/2008	Choi	.....	D14/138	R
2003/0092401	A1	*	5/2003	Ikeuchi	.....	455/90	
2005/0282596	A1	*	12/2005	Park et al.	.....	455/575.3	
2007/0060217	A1	*	3/2007	Kim	.....	455/575.3	
2008/0125197	A1	*	5/2008	Hongo et al.	.....	455/575.3	

**OTHER PUBLICATIONS**

Samsung E420 telephone, announced Oct. 2006, [online], [site visited Sep. 9, 2008]. Available from Internet ,<URL: <http://www.gsmarena.com>>.\*

Pantech PG-1000s telephone, announced 3rd quarter 2005, [online], [site visited Sep. 9, 2008]. Available from Internet ,<URL: <http://www.gsmarena.com>>.\*

\* cited by examiner

*Primary Examiner*—Jeffrey D Asch

(74) *Attorney, Agent, or Firm*—Staas & Halsey LLP

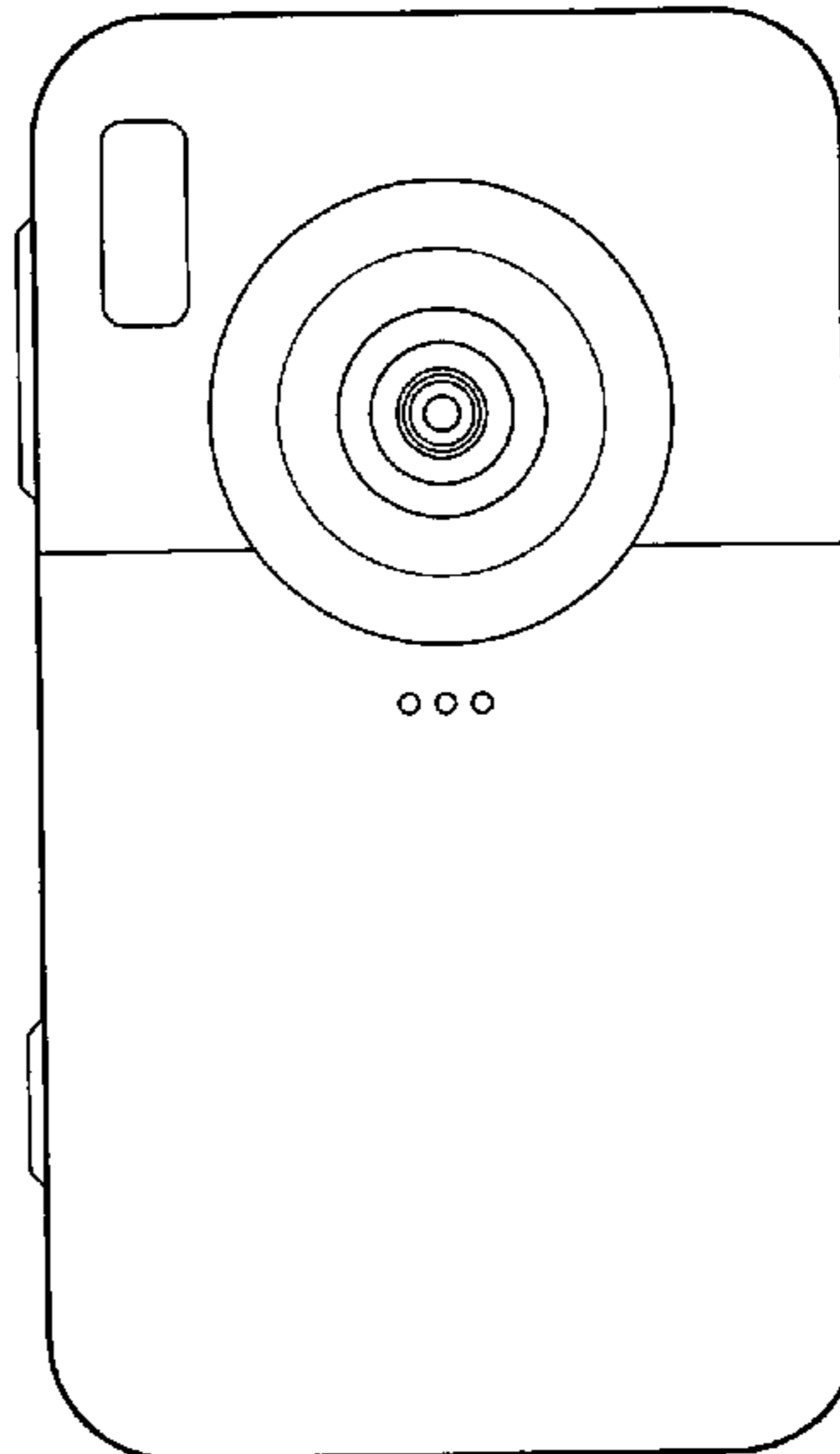
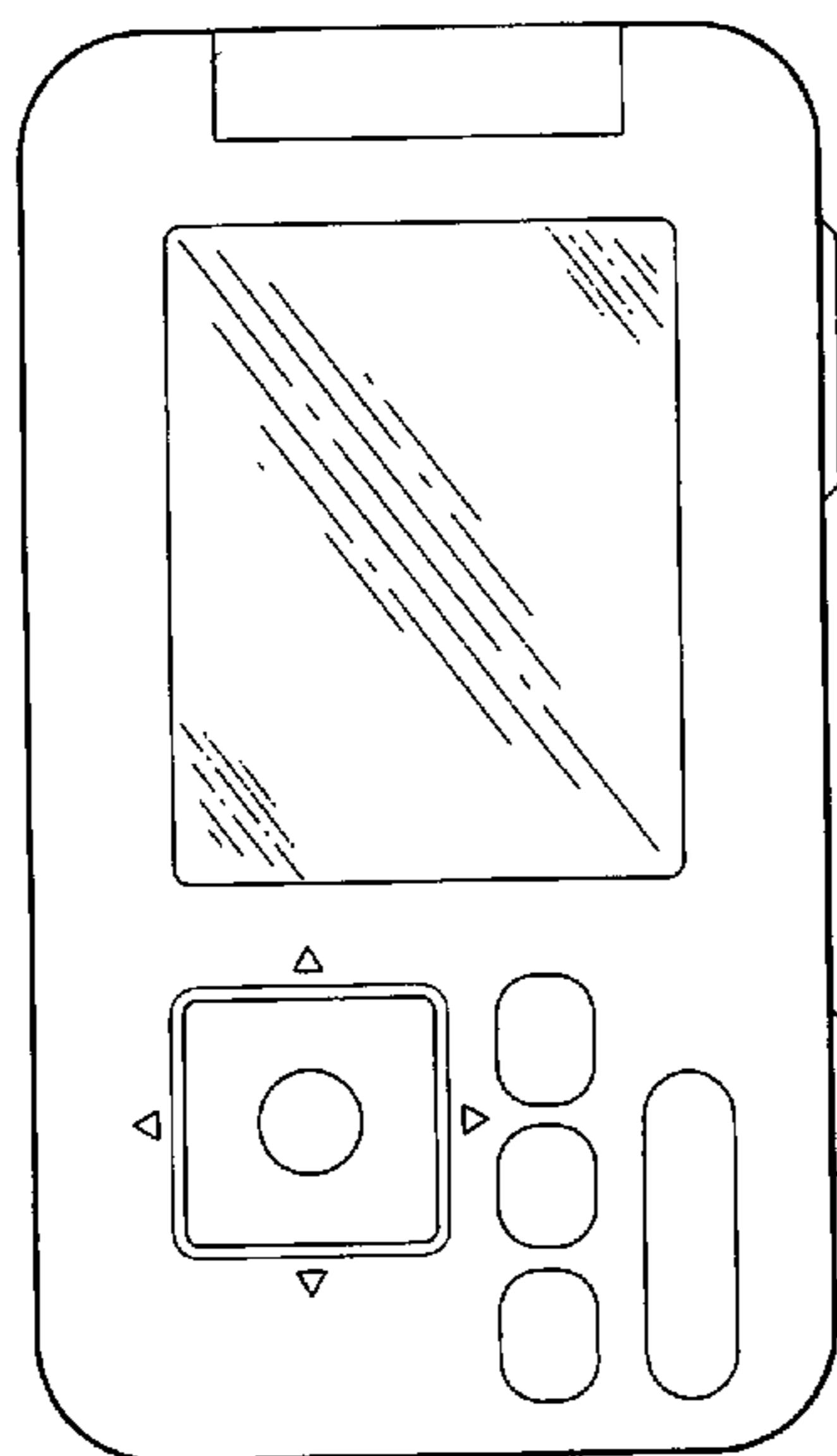
(57) **CLAIM**

The ornamental design for a portable phone, as shown and described.

**DESCRIPTION**

FIG. 1 is a perspective view of a portable phone;  
FIG. 2 is a front view of the portable phone of FIG. 1;  
FIG. 3 is a rear view of the portable phone of FIG. 1;  
FIG. 4 is a left-side view of the portable phone of FIG. 1;  
FIG. 5 is a right-side view of the portable phone of FIG. 1;  
FIG. 6 is a top plan view of the portable phone of FIG. 1;  
FIG. 7 is a bottom plan view of the portable phone of FIG. 1;  
and,  
FIG. 8 is an opened front view of the portable phone of FIG. 1.

**1 Claim, 5 Drawing Sheets**



**FIG. 1**

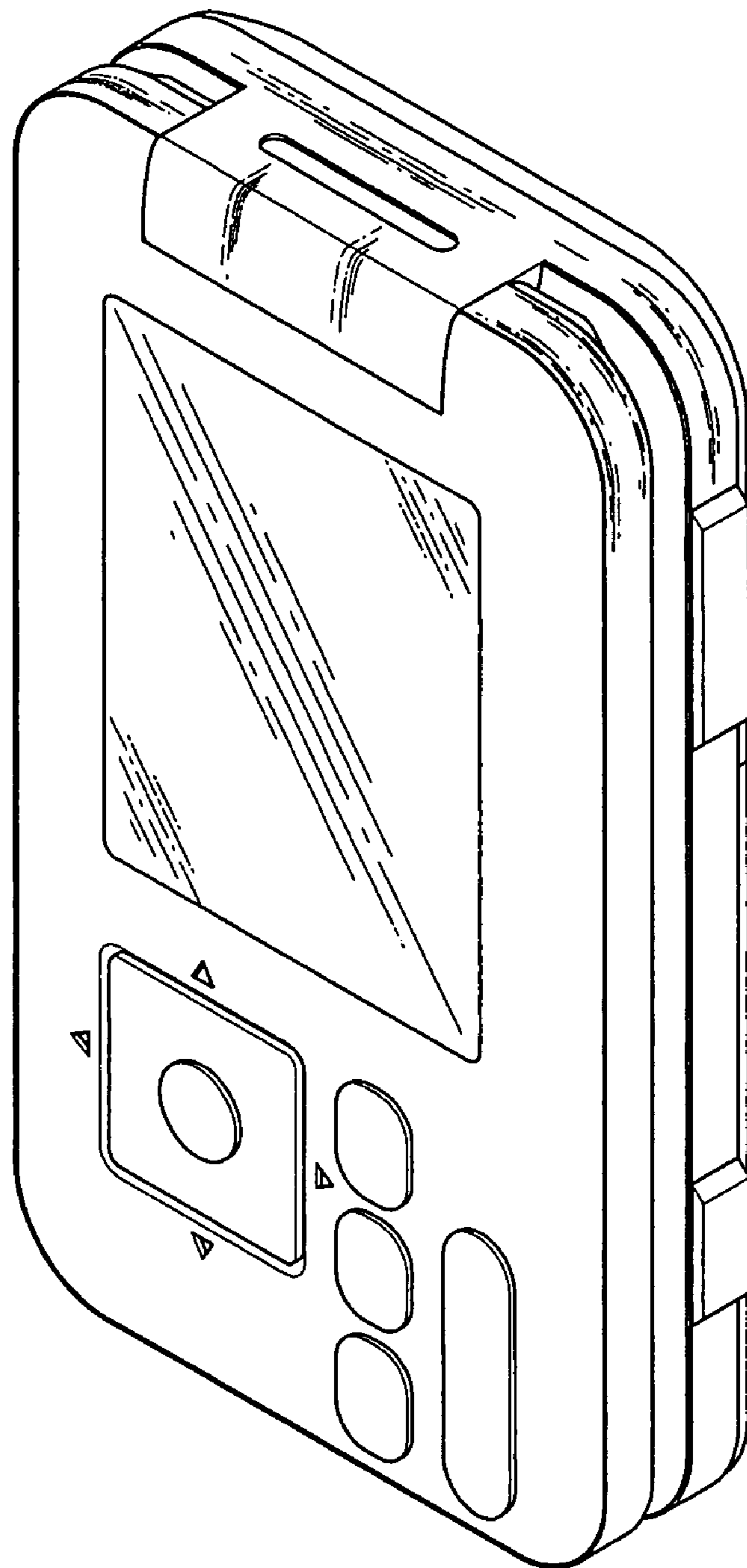


FIG. 2

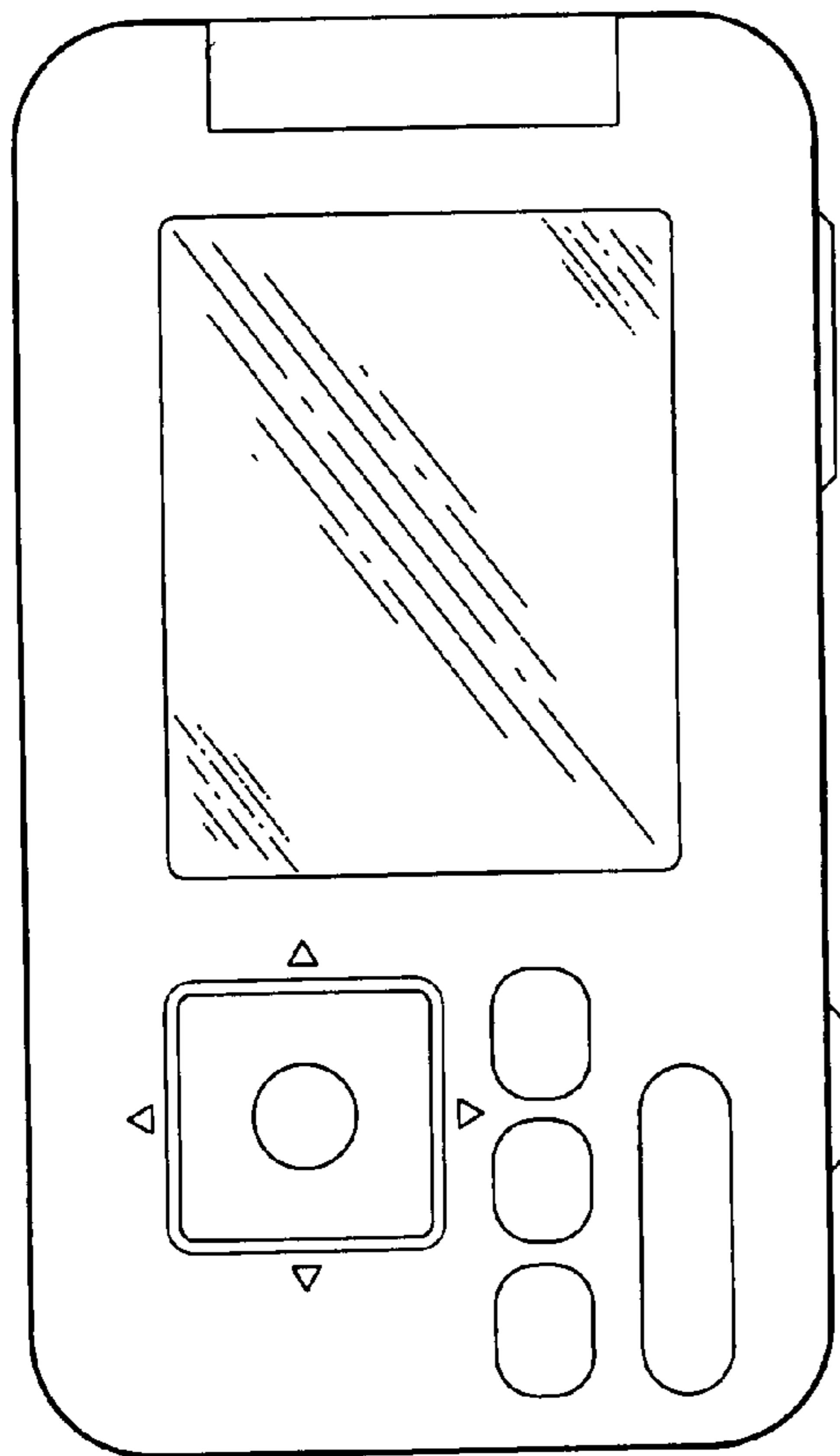
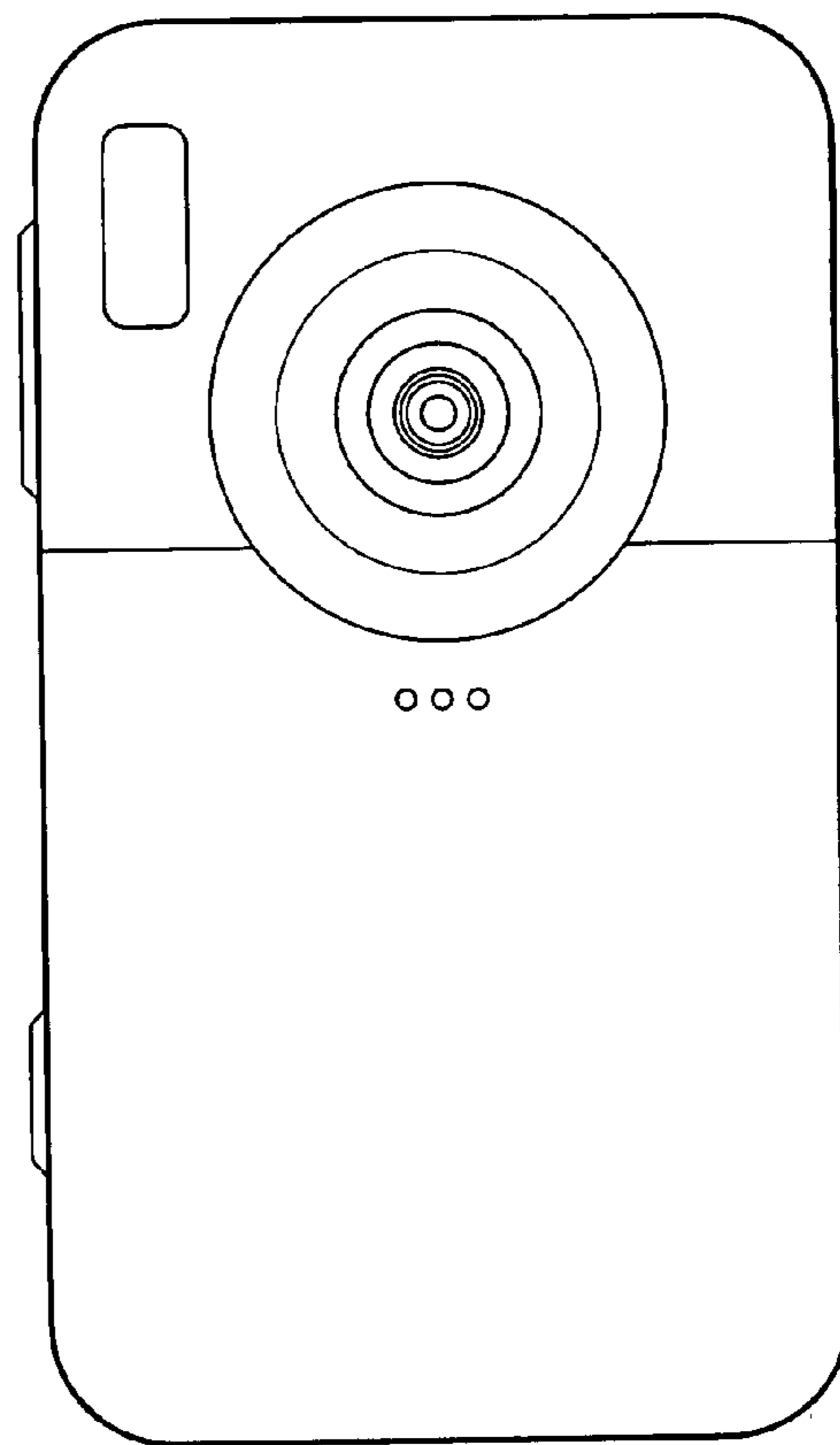


FIG. 3



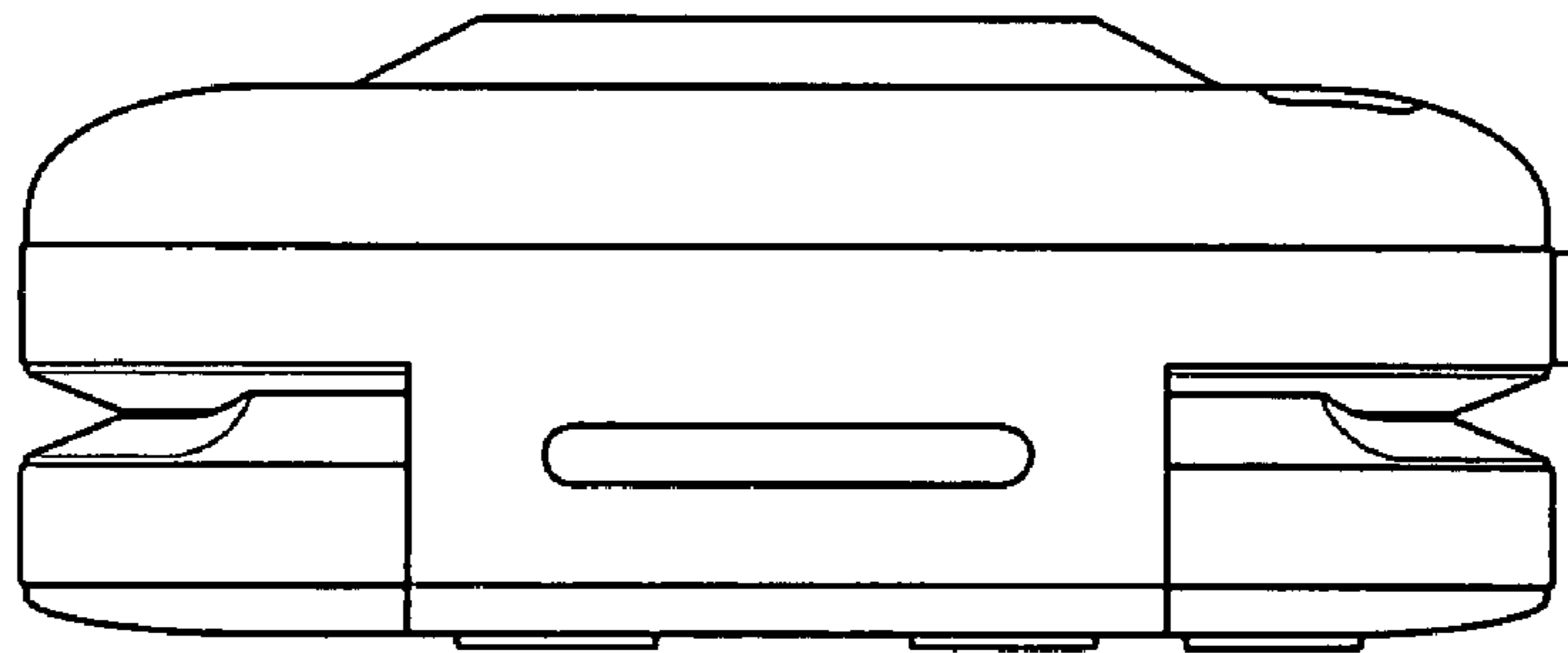
**FIG. 4**



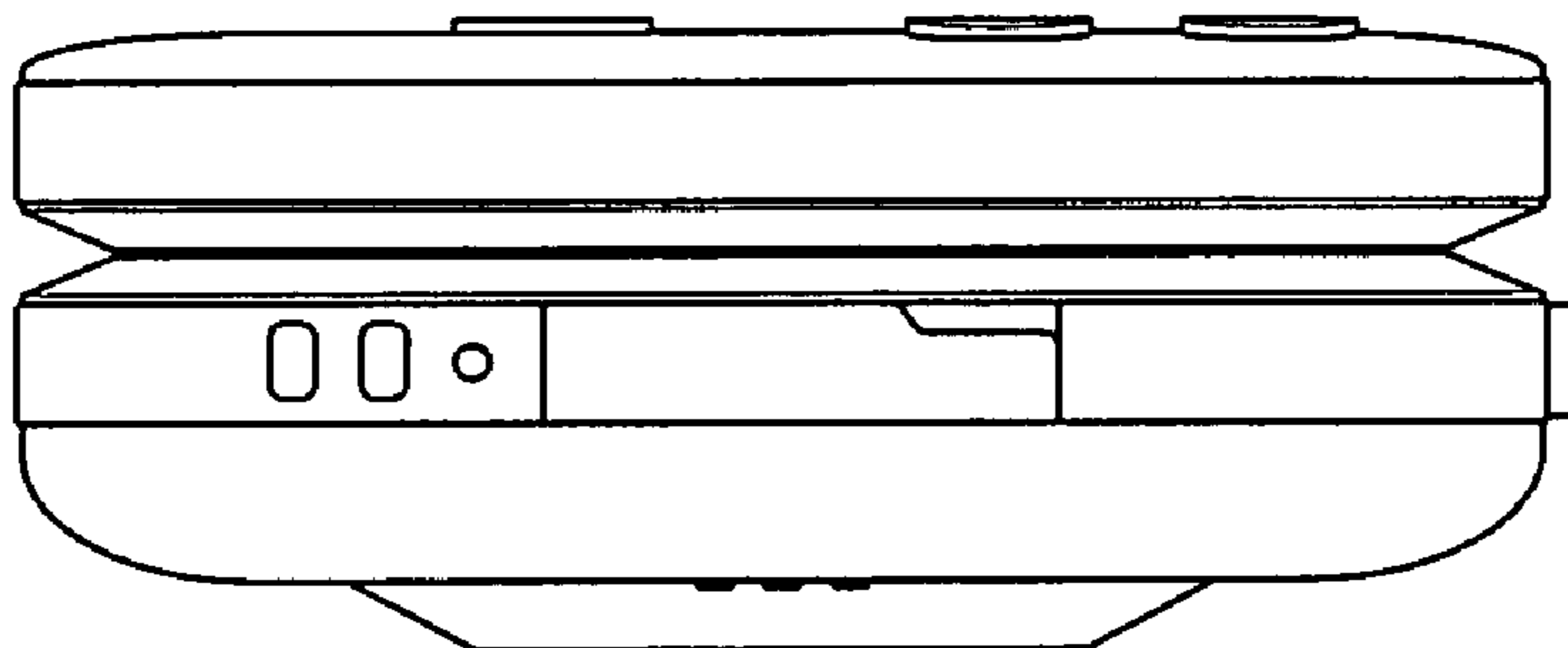
**FIG. 5**



**FIG. 6**



**FIG. 7**



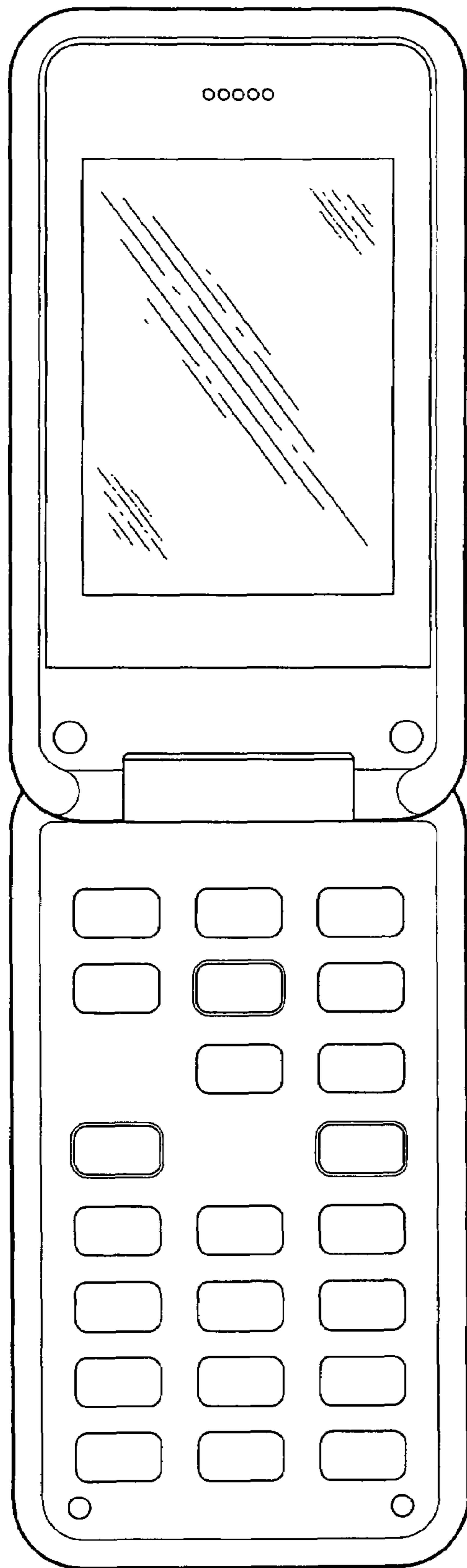


FIG. 8