



US00D585403S

(12) **United States Design Patent**
Wada

(10) **Patent No.:** **US D585,403 S**
(45) **Date of Patent:** **** Jan. 27, 2009**

(54) **DISC PLAYER**

(75) Inventor: **Takayuki Wada**, Tokyo (JP)

(73) Assignee: **Sony Corporation**, Tokyo (JP)

(**) Term: **14 Years**

(21) Appl. No.: **29/290,793**

(22) Filed: **Jan. 15, 2008**

(30) **Foreign Application Priority Data**

Oct. 31, 2007 (CN) 2007 3 0339557

(51) **LOC (9) Cl.** **14-01**

(52) **U.S. Cl.** **D14/136**

(58) **Field of Classification Search** D14/135-136,
D14/156-157, 167-168, 198, 188, 217, 257,
D14/258, 445; 360/99.02, 99.07; 369/75.11,
369/75.21, 77.21, 77.11; 720/612, 619, 647,
720/655; 455/344, 347-351

See application file for complete search history.

(56) **References Cited**

U.S. PATENT DOCUMENTS

5,848,042 A * 12/1998 Takahashi et al. 720/647
D483,733 S * 12/2003 Yoshihara D14/157
D528,088 S 9/2006 Suzuki

D538,776 S * 3/2007 Suzuki D14/156
D539,769 S * 4/2007 Yoshihara et al. D14/136
D542,261 S * 5/2007 Uehara et al. D14/156
D556,184 S 11/2007 Uehara et al.

FOREIGN PATENT DOCUMENTS

JP D1269507 S 4/2006
JP D1308408 S 8/2007

* cited by examiner

Primary Examiner—Nanda Bondade

(74) *Attorney, Agent, or Firm*—Rader, Fishman & Grauer, PLLC

(57) **CLAIM**

The ornamental design for a disc player, as shown.

DESCRIPTION

FIG. 1 is a perspective view of a disc player showing my new design;

FIG. 2 is a front elevational view thereof;

FIG. 3 is a rear elevational view thereof;

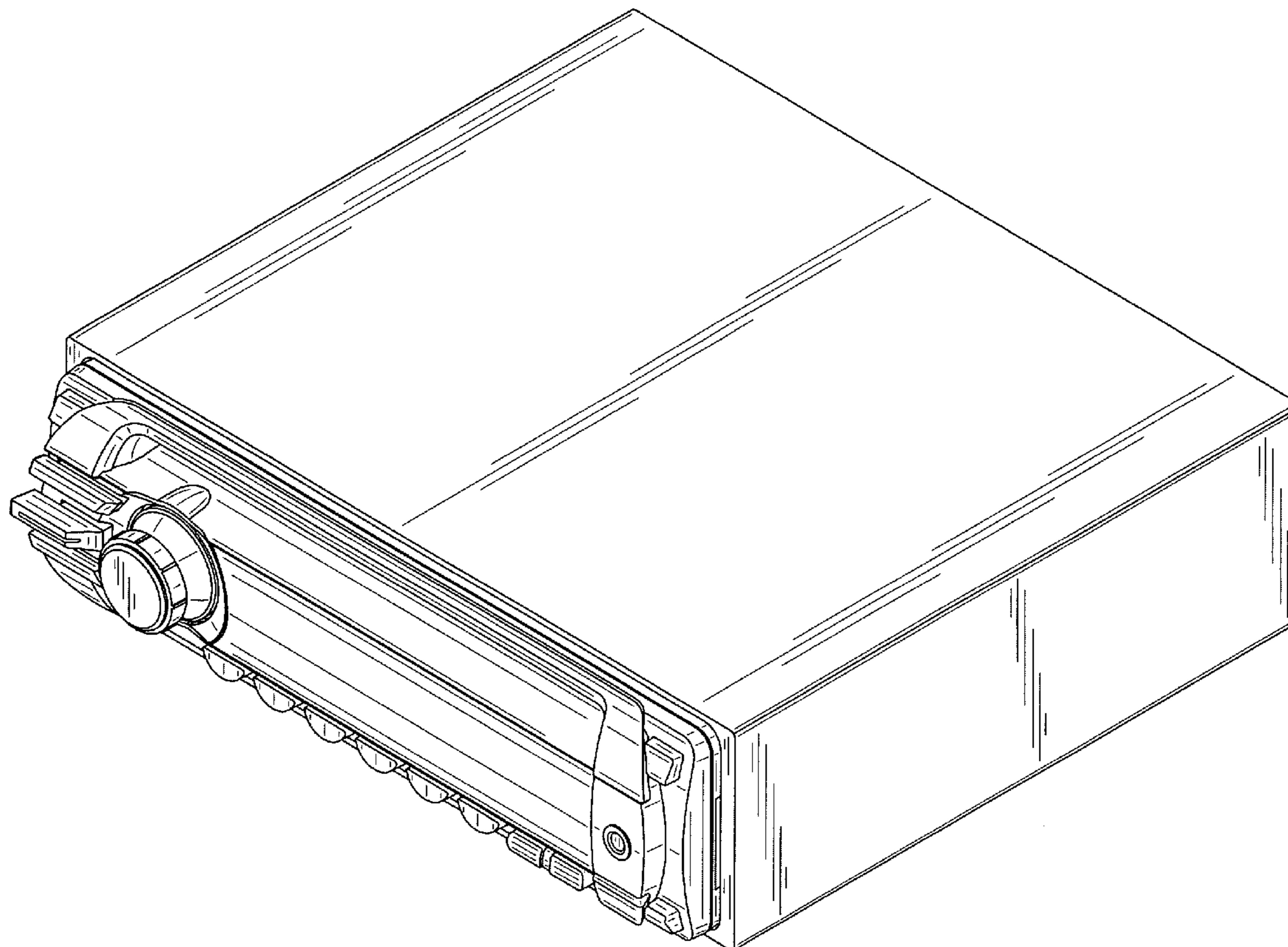
FIG. 4 is a left side elevational view thereof;

FIG. 5 is a right side elevational view thereof;

FIG. 6 is a top plan view thereof; and,

FIG. 7 is a bottom plan view thereof.

1 Claim, 7 Drawing Sheets



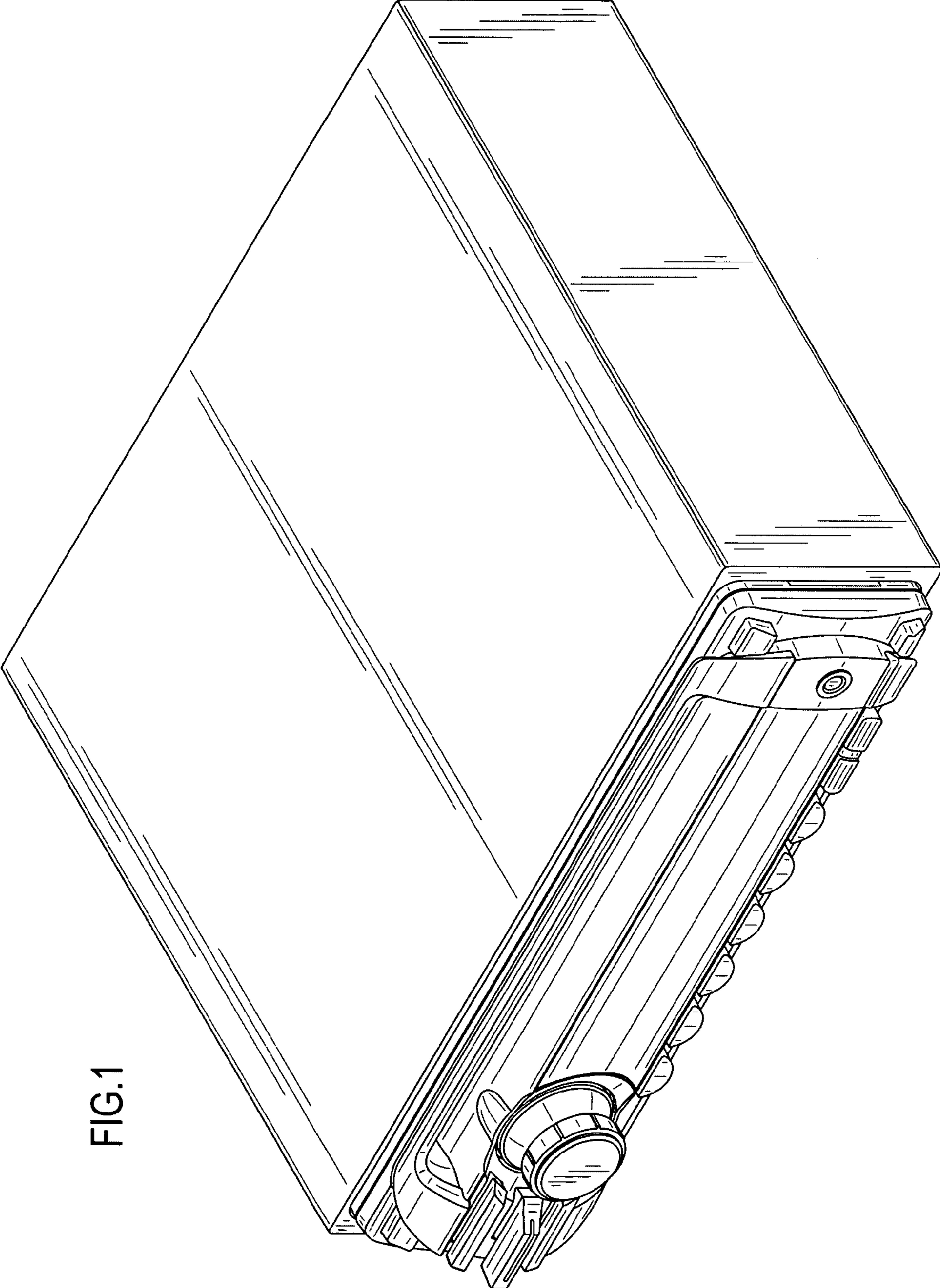


FIG.1

FIG.2

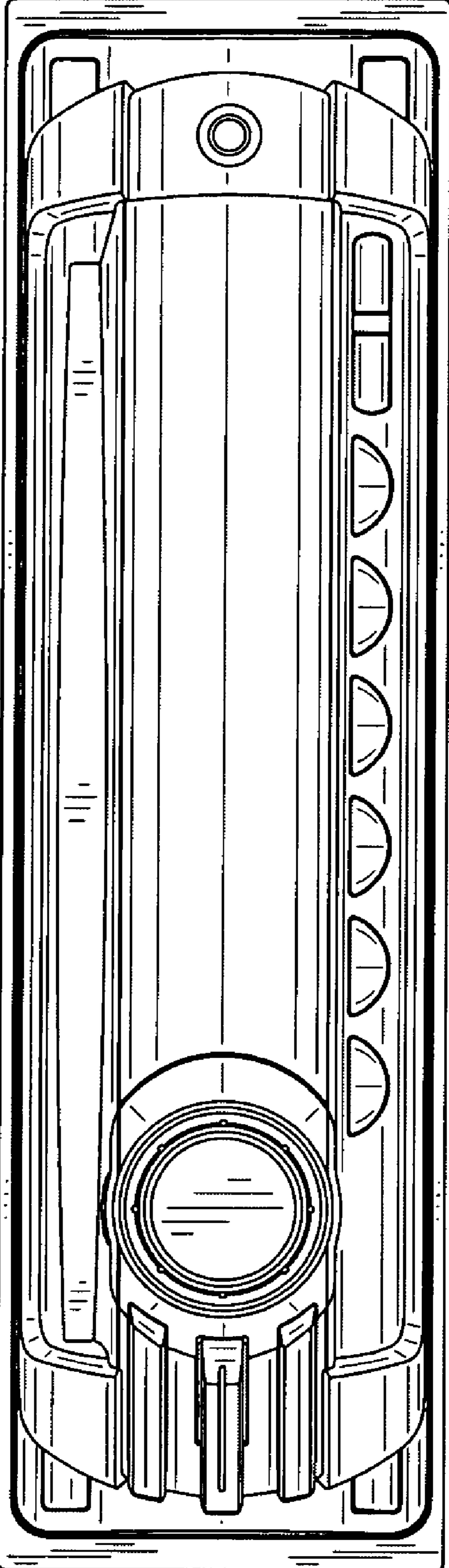


FIG.3

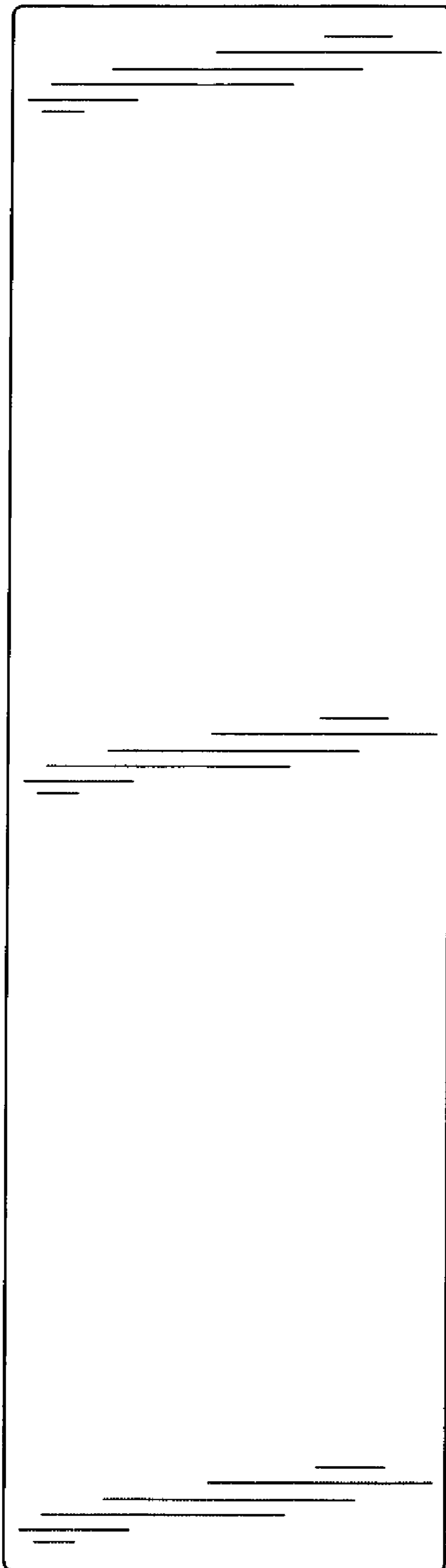


FIG.4

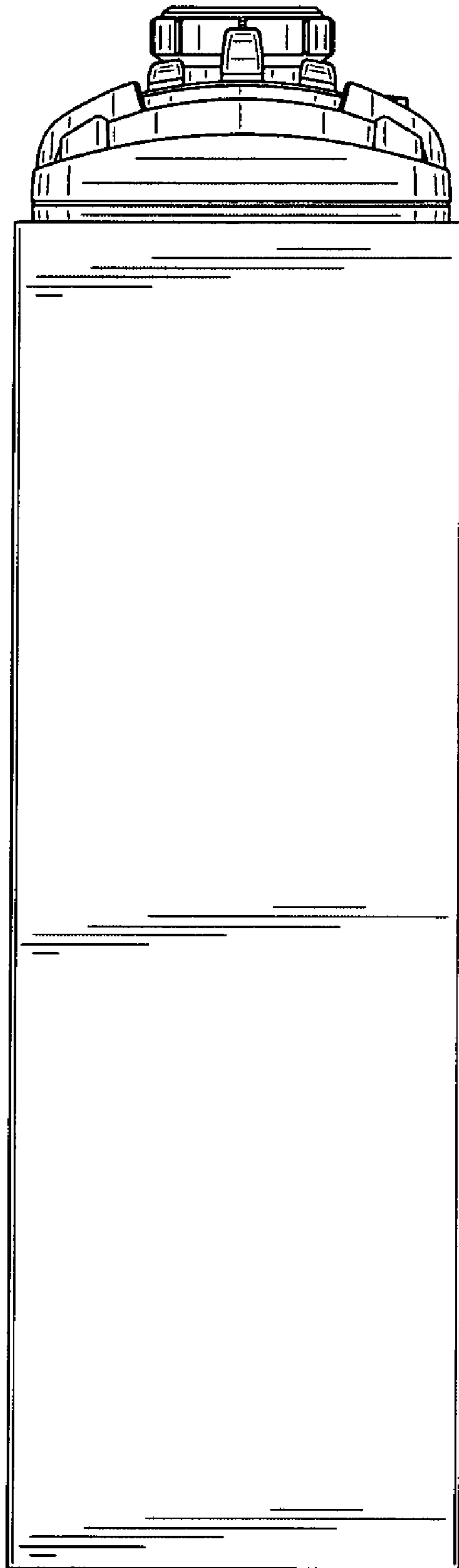
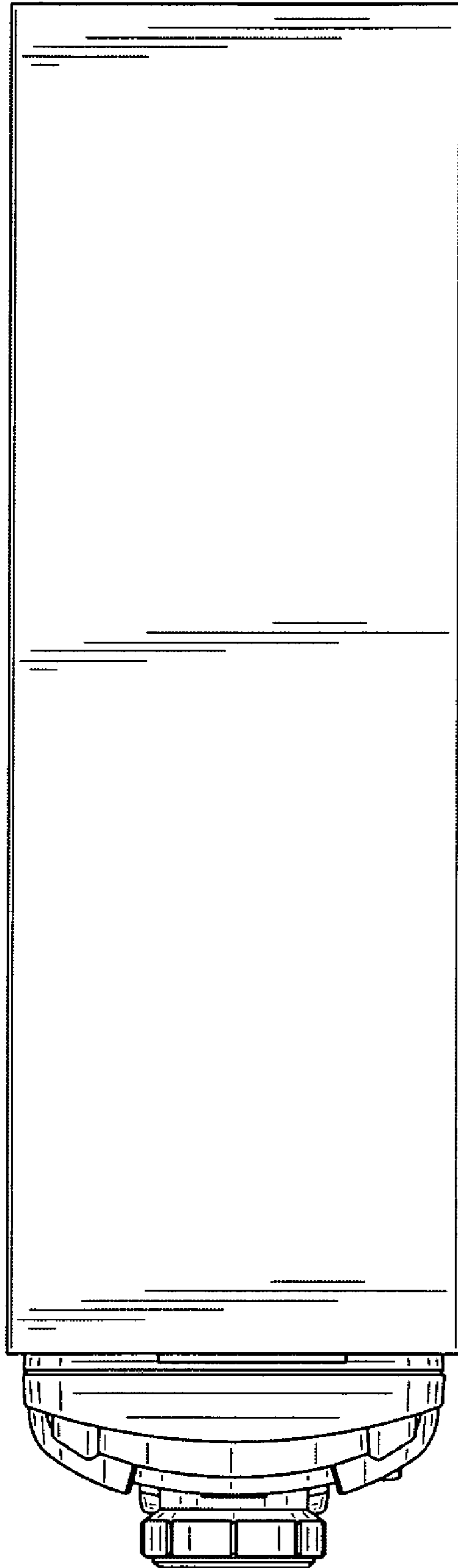


FIG. 5



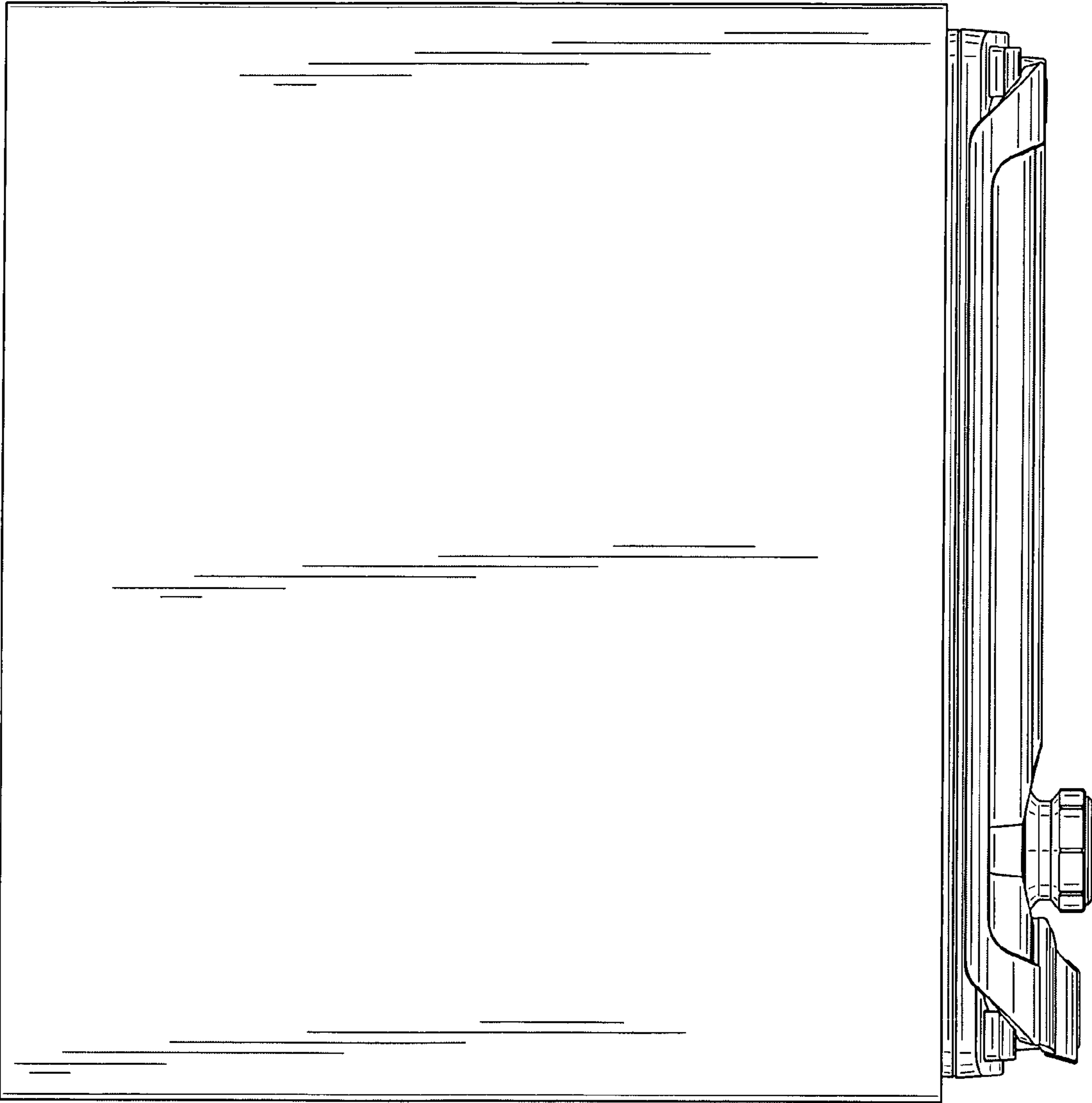


FIG.6

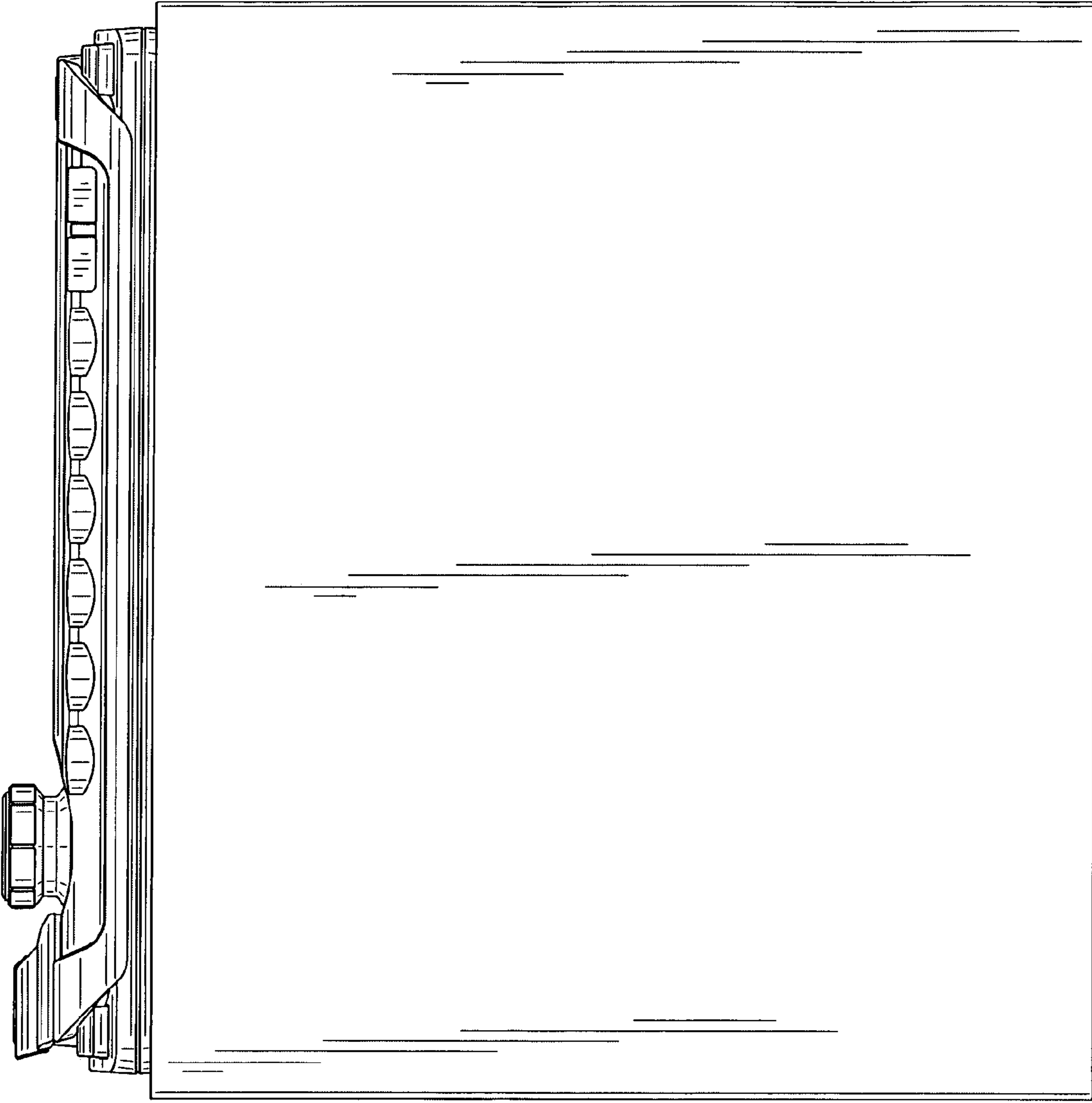


FIG. 7