



US00D585402S

(12) **United States Design Patent**  
**Shimizu**

(10) **Patent No.:** **US D585,402 S**

(45) **Date of Patent:** **\*\* Jan. 27, 2009**

(54) **DISC PLAYER**

(75) Inventor: **Naoto Shimizu**, Tokyo (JP)

(73) Assignee: **Sony Corporation**, Tokyo (JP)

(\*\*) Term: **14 Years**

(21) Appl. No.: **29/290,630**

(22) Filed: **Dec. 28, 2007**

(51) **LOC (9) Cl.** ..... **14-01**

(52) **U.S. Cl.** ..... **D14/136**

(58) **Field of Classification Search** ..... D14/135-136,  
D14/156-157, 167-168, 198, 188, 217, 257,  
D14/258, 445; 360/99.02, 99.07; 369/75.11,  
369/75.21, 77.21, 77.11; 720/612, 619, 647,  
720/655; 455/344, 347-351

See application file for complete search history.

(56) **References Cited**

**U.S. PATENT DOCUMENTS**

D487,449 S \* 3/2004 Ota ..... D14/168  
D501,193 S 1/2005 Tsuge

D513,507 S 1/2006 Tsuge  
D517,031 S \* 3/2006 Wu ..... D14/136  
D554,604 S 11/2007 Sogabe

\* cited by examiner

*Primary Examiner*—Nanda Bondade

(74) *Attorney, Agent, or Firm*—Rader, Fishman & Grauer,  
PLLC

(57) **CLAIM**

The ornamental design for a disc player, as shown.

**DESCRIPTION**

FIG. 1 is on a reduced scale.

FIG. 2 is a front elevational view thereof;

FIG. 3 is a rear elevational view thereof;

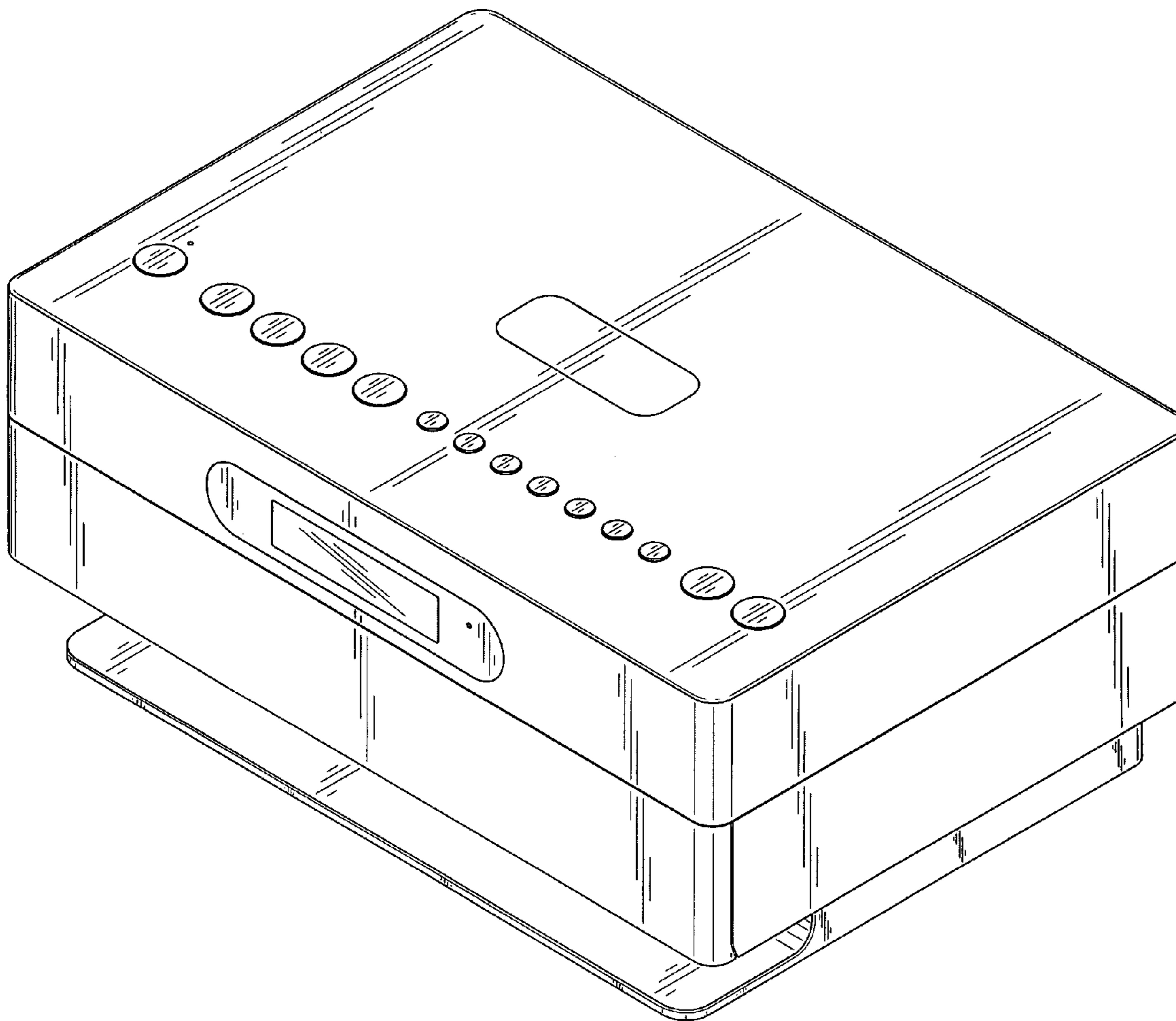
FIG. 4 is a left side elevational view thereof;

FIG. 5 is a right side elevational view thereof;

FIG. 6 is a top plan view thereof; and,

FIG. 7 is a bottom plan view thereof.

**1 Claim, 7 Drawing Sheets**



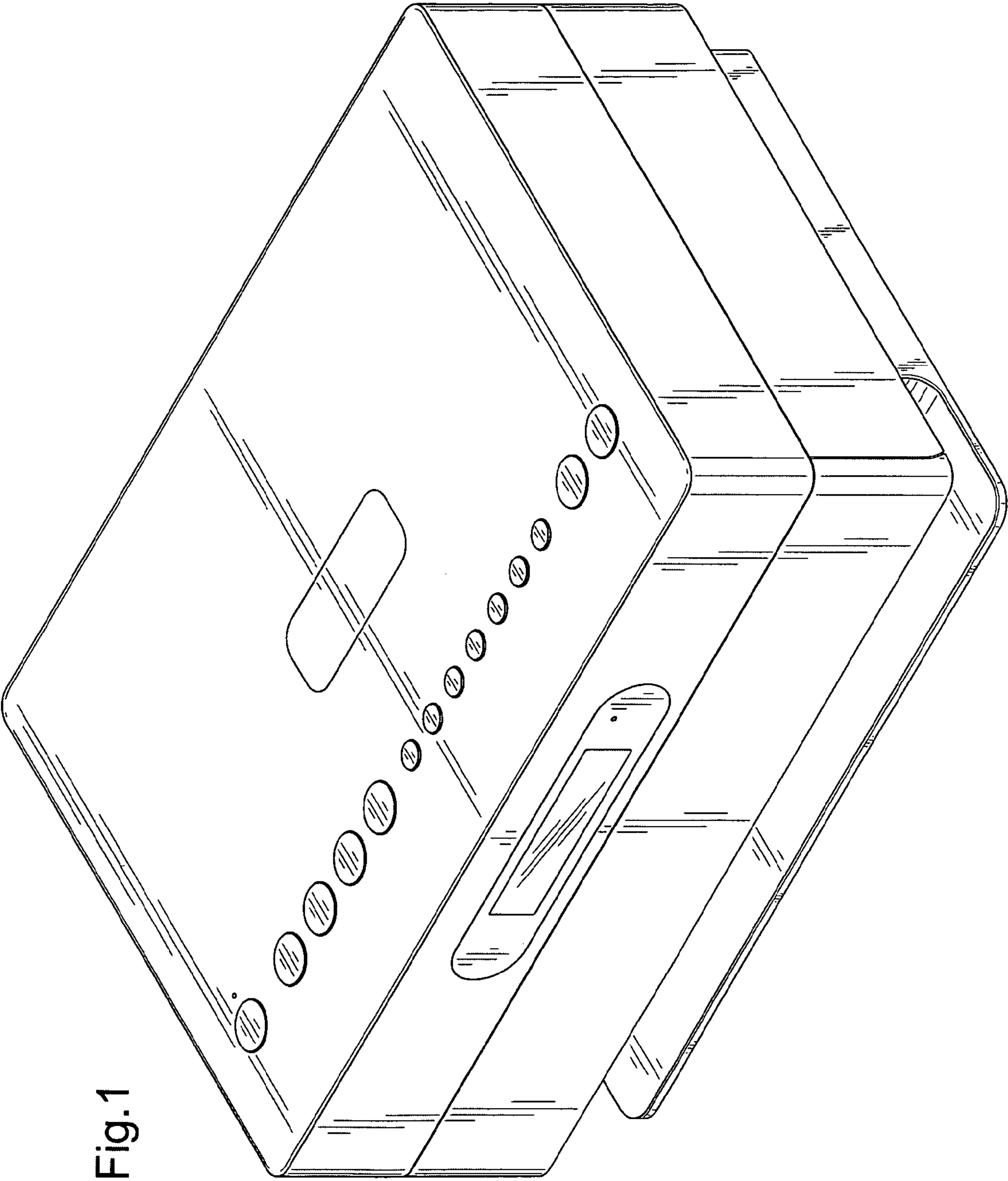


Fig.1

Fig.2

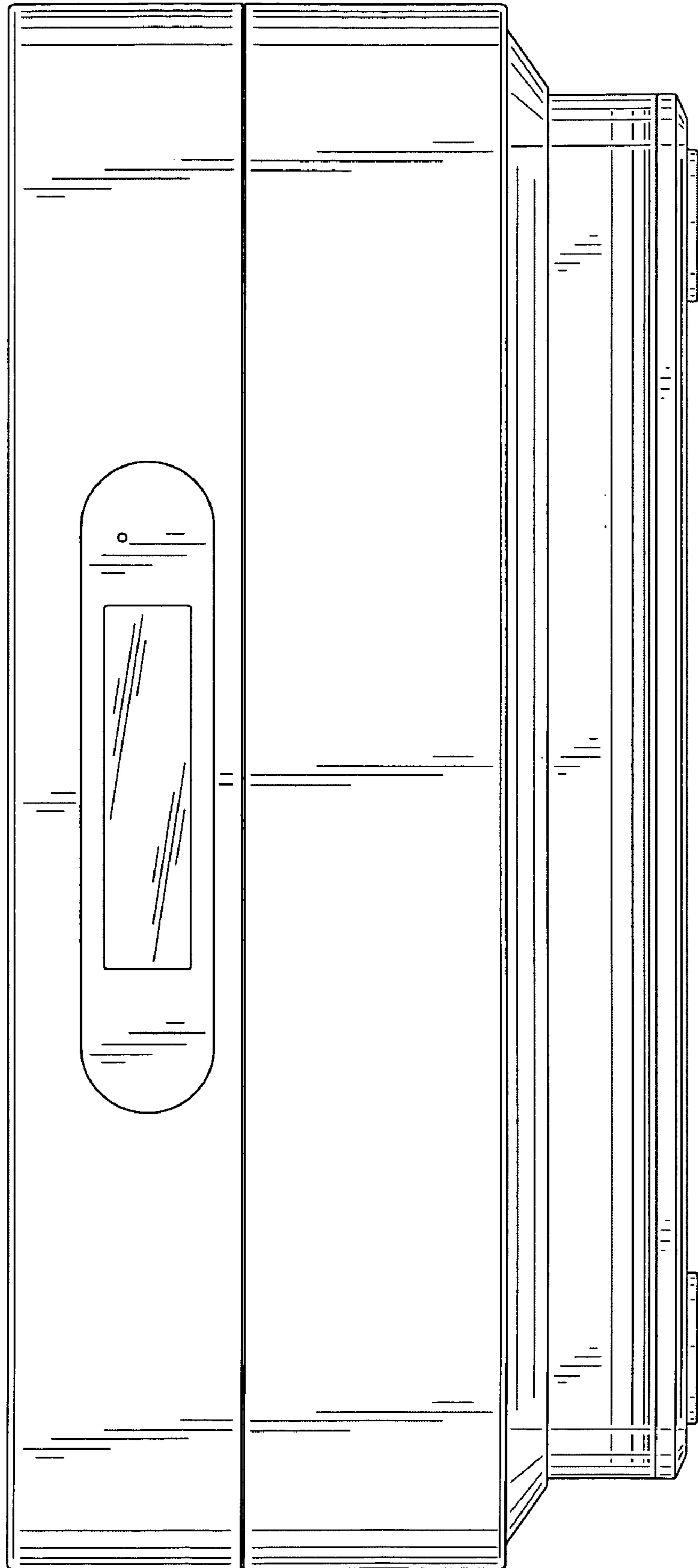


Fig.3

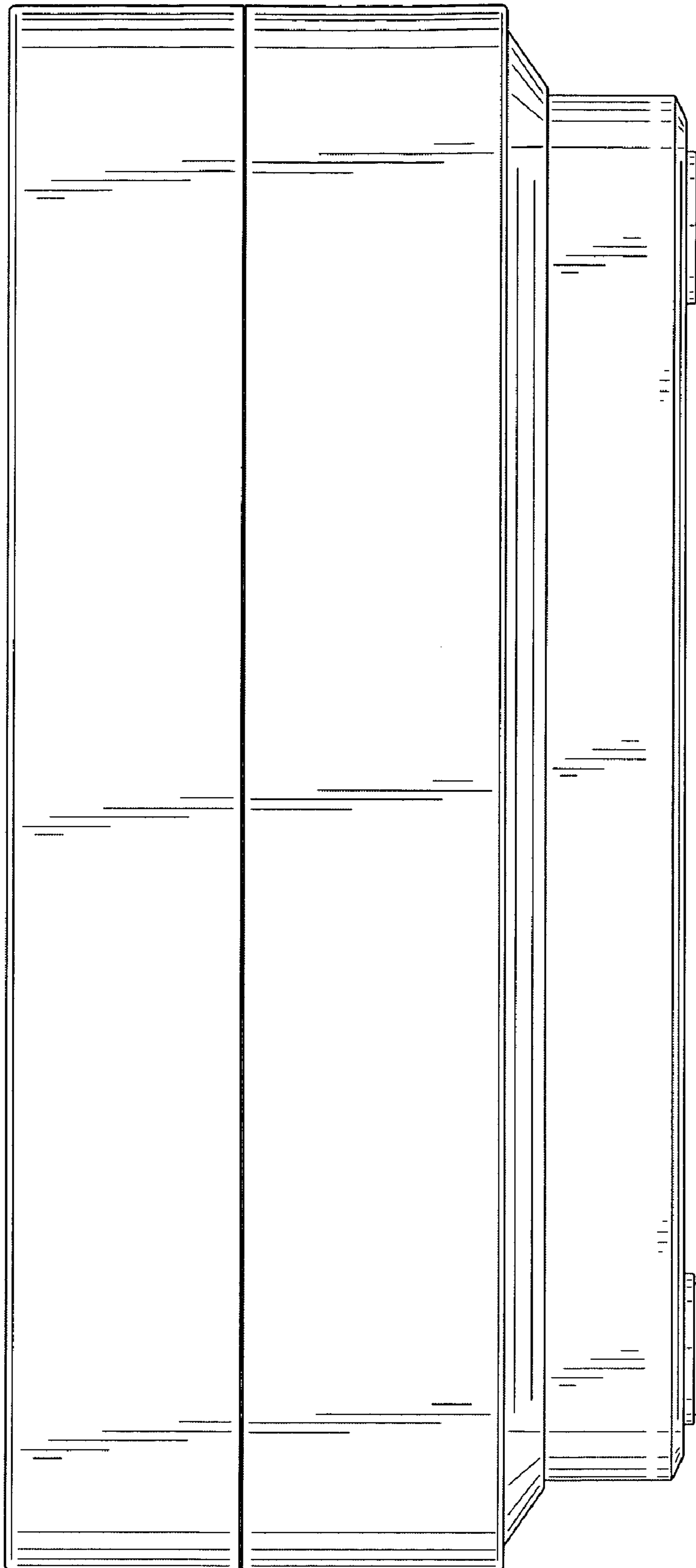


Fig.4

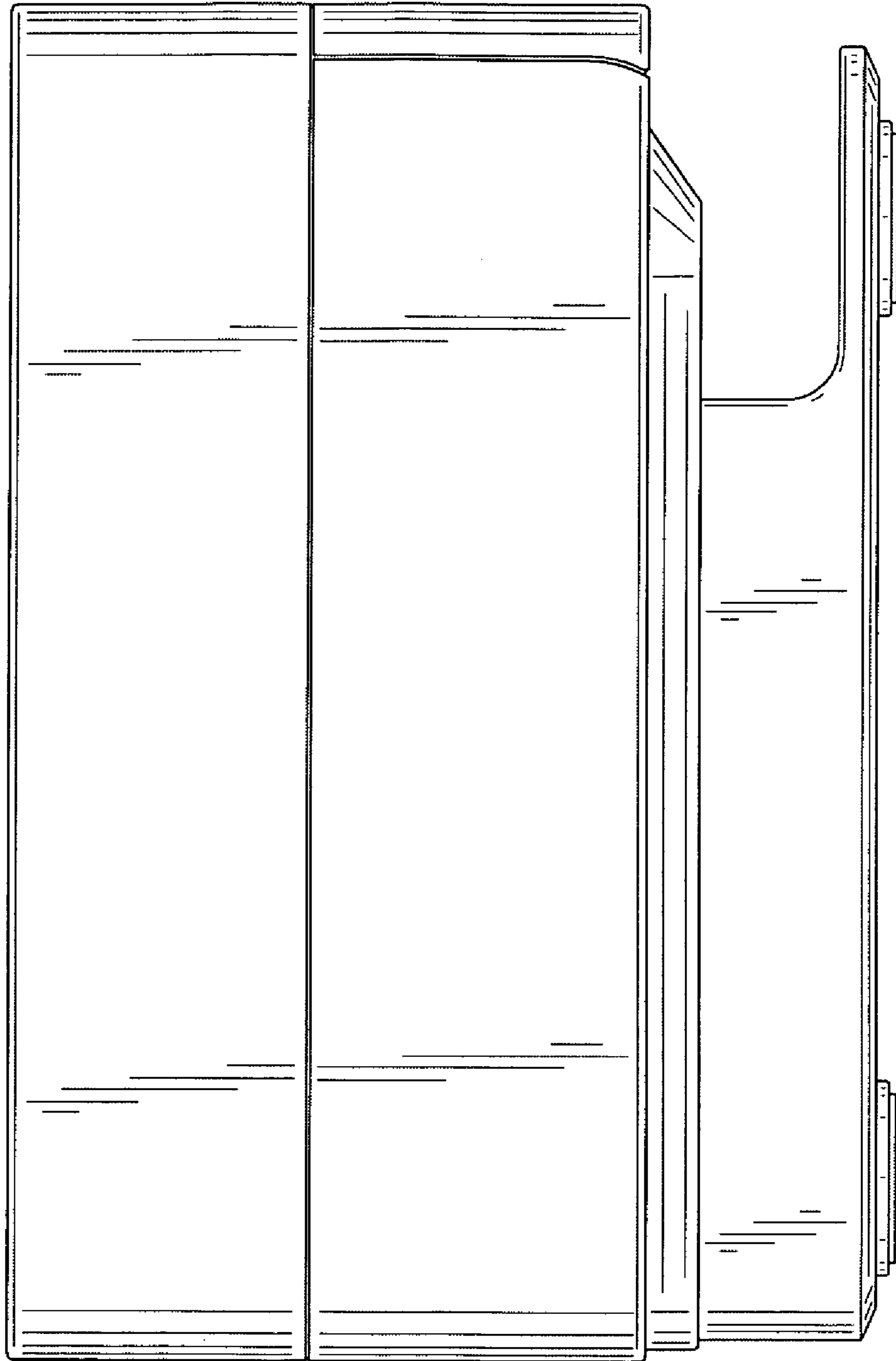
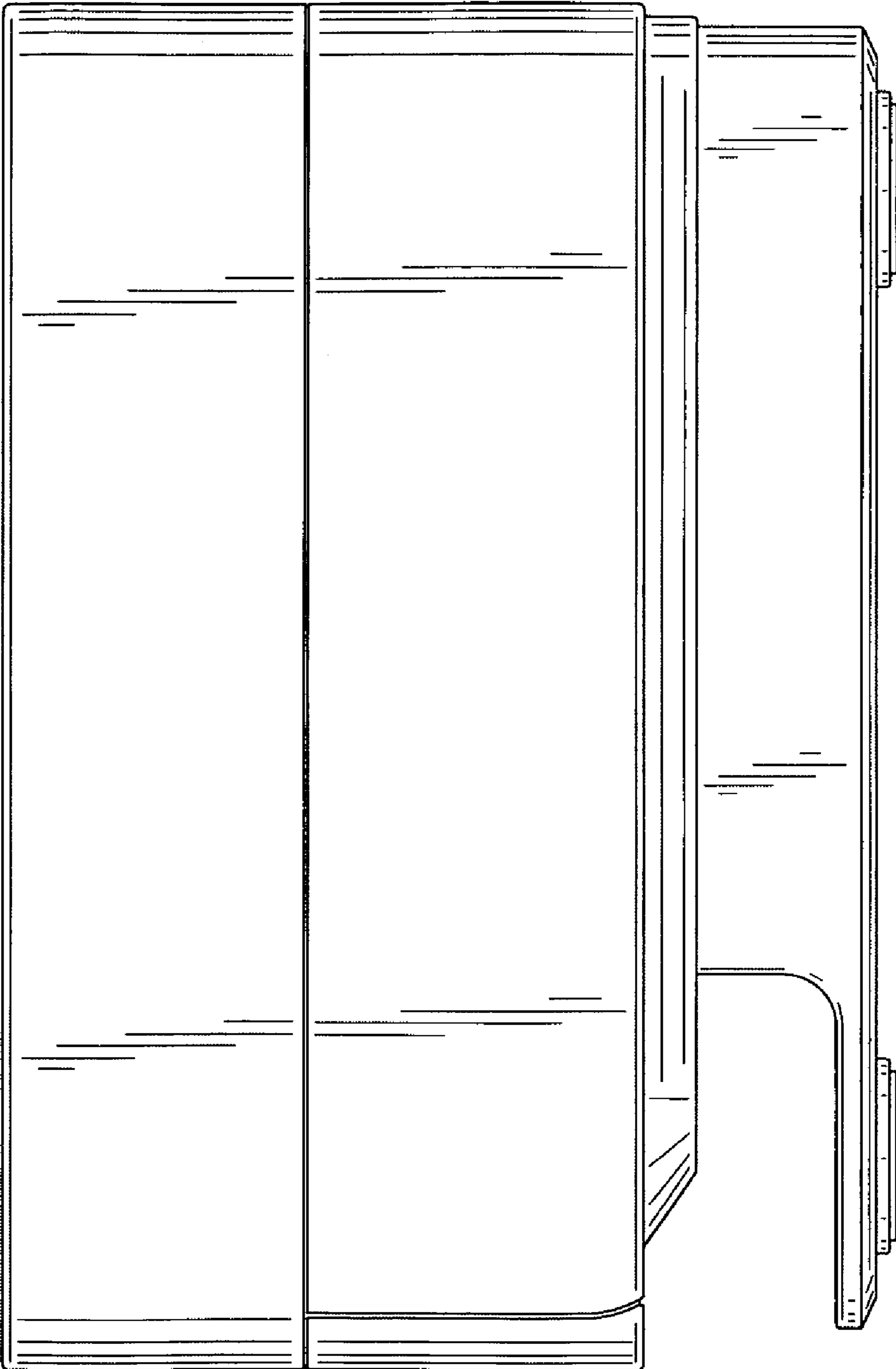


Fig.5



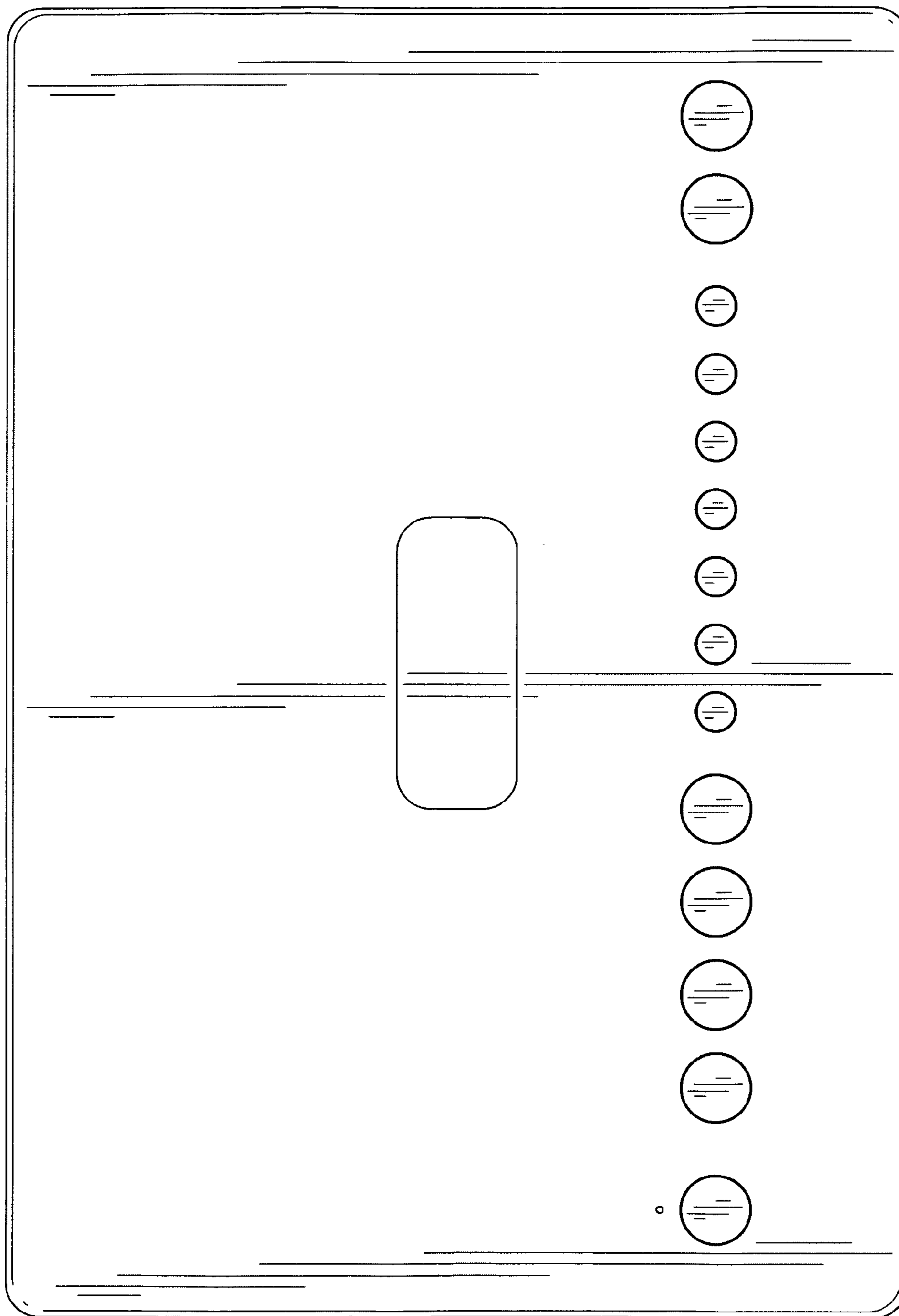


Fig.6

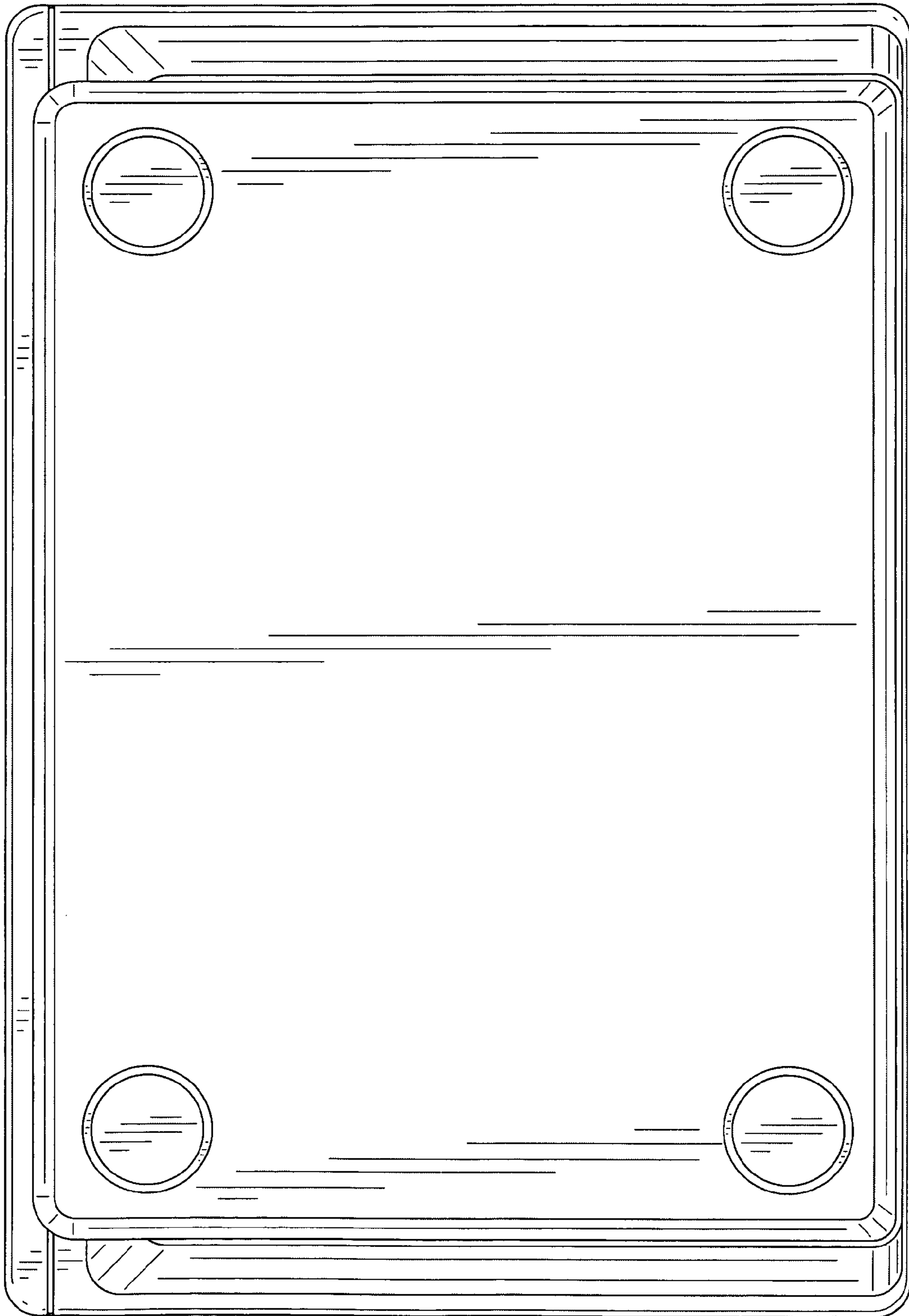


Fig.7