



US00D585401S

(12) **United States Design Patent**
Otani

(10) **Patent No.:** **US D585,401 S**
(45) **Date of Patent:** **** Jan. 27, 2009**

(54) **TELEVISION RECEIVER**

(75) Inventor: **Yusuke Otani**, Tokyo (JP)

(73) Assignee: **Sony Corporation**, Tokyo (JP)

(**) Term: **14 Years**

(21) Appl. No.: **29/290,927**

(22) Filed: **Jan. 31, 2008**

(30) **Foreign Application Priority Data**

Oct. 19, 2007 (JP) D2007-028709

(51) **LOC (9) Cl.** **14-03**

(52) **U.S. Cl.** **D14/134; D14/126**

(58) **Field of Classification Search** D14/125-134,
D14/239, 371, 136, 374-377, 440, 450, 448,
D14/336, 342; 312/7.2; 348/836, 838, 180,
348/184, 325, 739; 341/12; 248/917-924,
248/465; 345/104, 133, 156, 168, 87, 173;
720/605, 669, 600, 655; 369/99, 197; 455/344,
455/347; D21/329, 515, 577, 622, 333, 433,
D21/448, 452, 450, 331; D6/477, 479; 273/148 B;
446/484, 175, 356; D10/15, 26

See application file for complete search history.

(56) **References Cited**

U.S. PATENT DOCUMENTS

D494,165 S * 8/2004 Yokota D14/341

D510,919 S * 10/2005 Kubota et al. D14/126
D527,358 S * 8/2006 Voege D14/126
D534,139 S 12/2006 Yokota
D540,795 S 4/2007 Takahashi
D545,787 S 7/2007 Nakamura
D547,740 S 7/2007 Otani
D564,993 S * 3/2008 Lee D14/126

* cited by examiner

Primary Examiner—Raphael Barkai
(74) *Attorney, Agent, or Firm*—Rader, Fishman & Grauer,
PLLC

(57) **CLAIM**

The ornamental design for a television receiver, as shown.

DESCRIPTION

FIG. 1 is a perspective view of a television receiver showing my new design;

FIG. 2 is a front elevational view thereof;

FIG. 3 is a rear elevational view thereof;

FIG. 4 is a left side elevational view thereof;

FIG. 5 is a right side elevational view thereof;

FIG. 6 is a top plan view thereof; and,

FIG. 7 is a bottom plan view thereof.

1 Claim, 7 Drawing Sheets

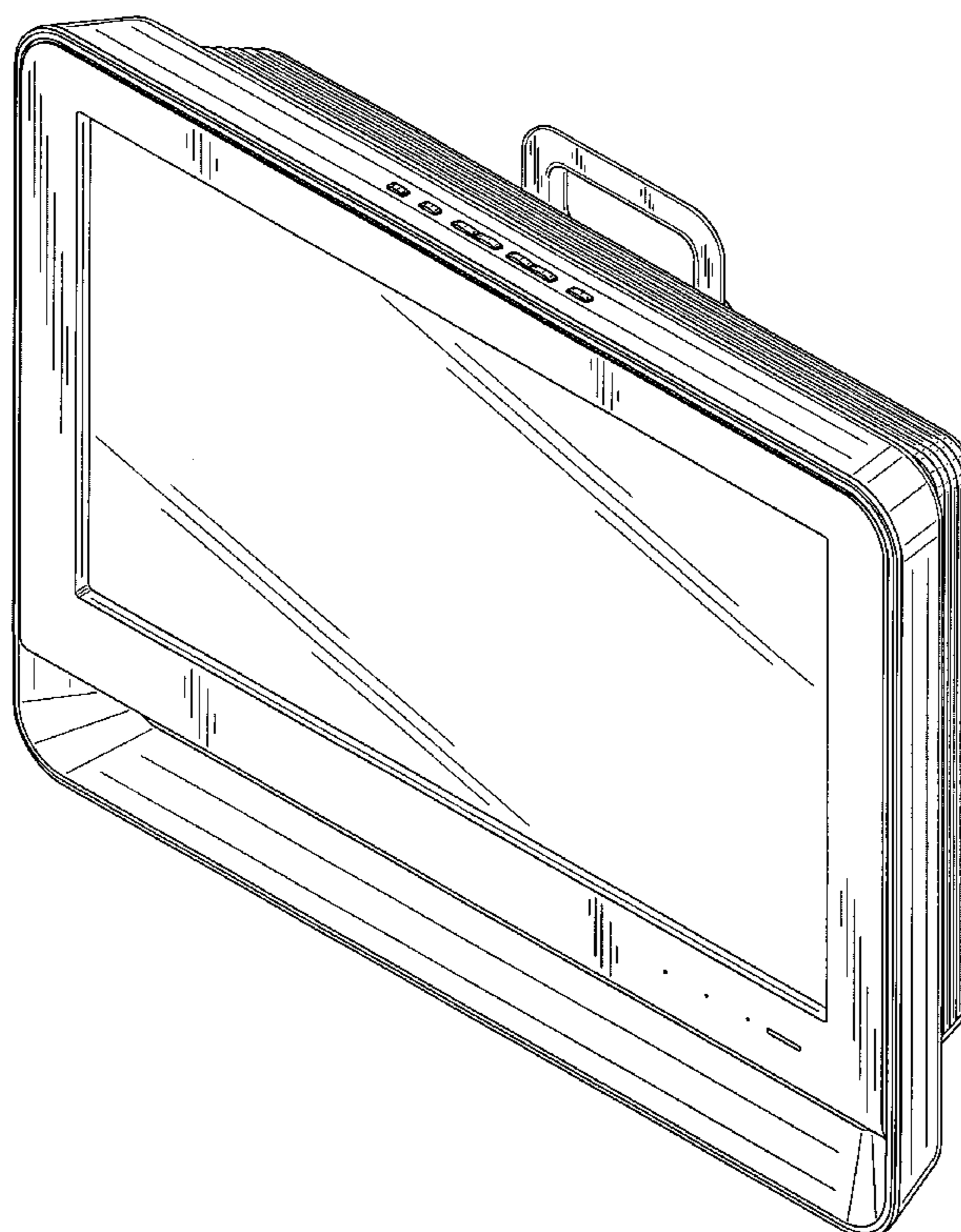
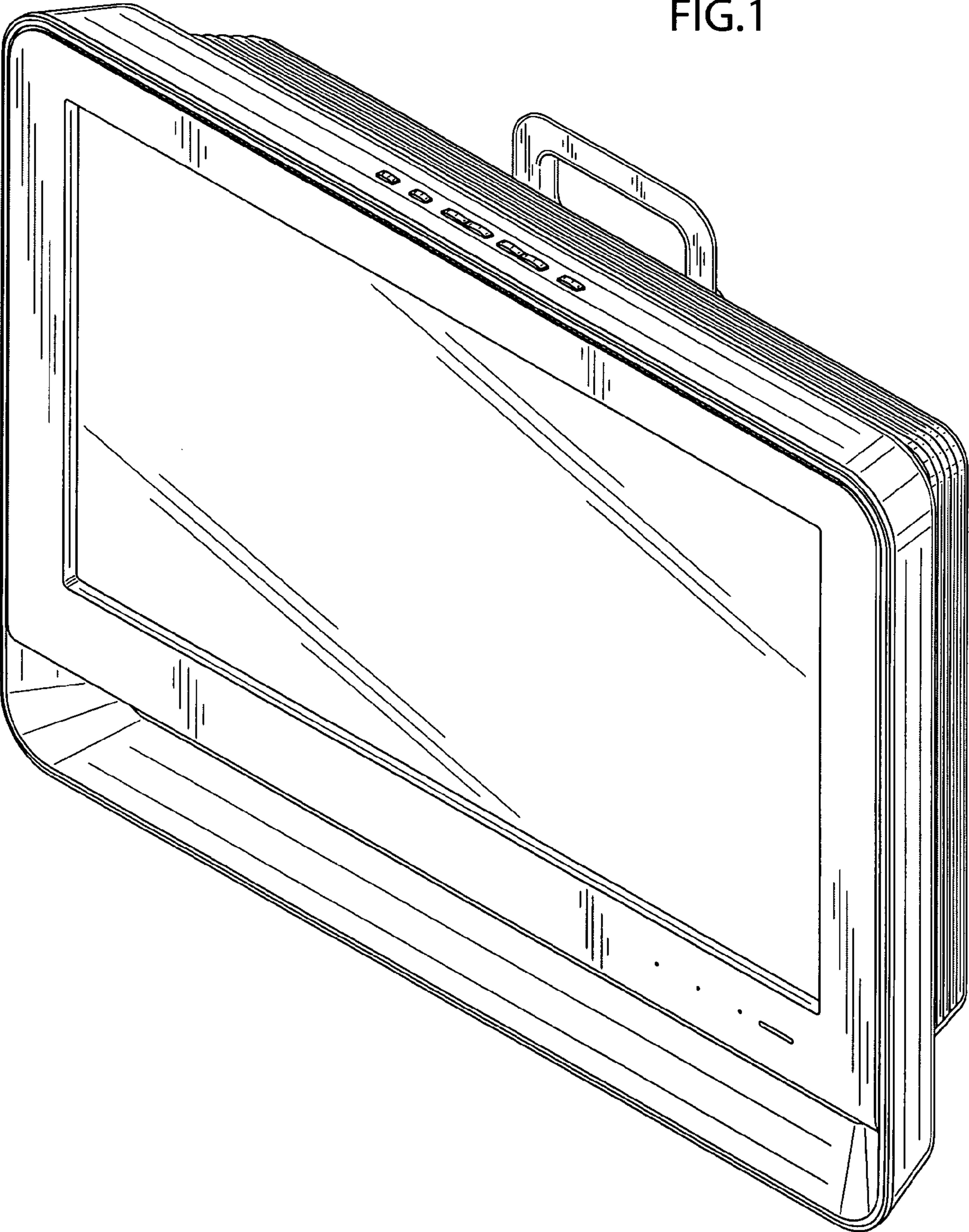


FIG.1



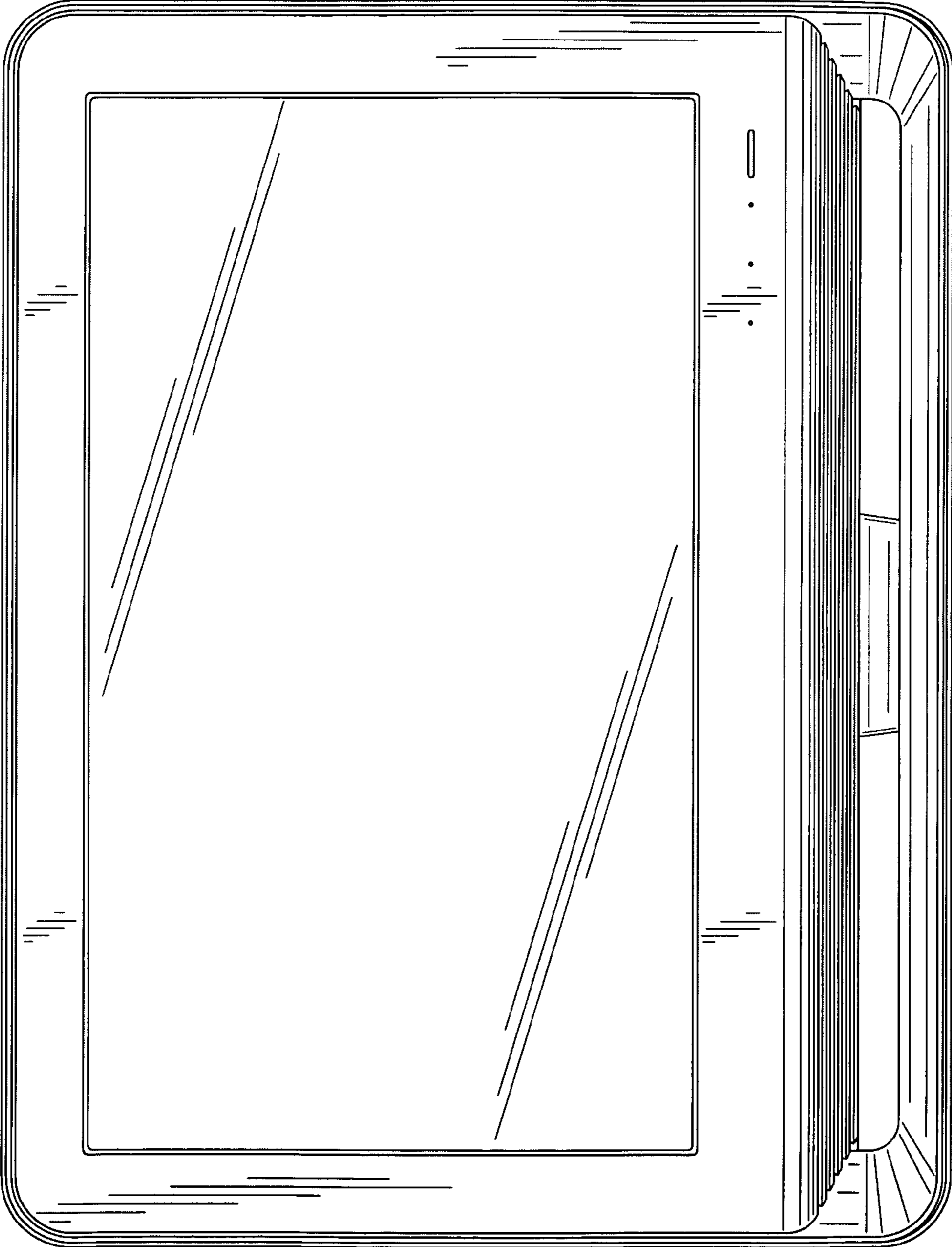


FIG.2

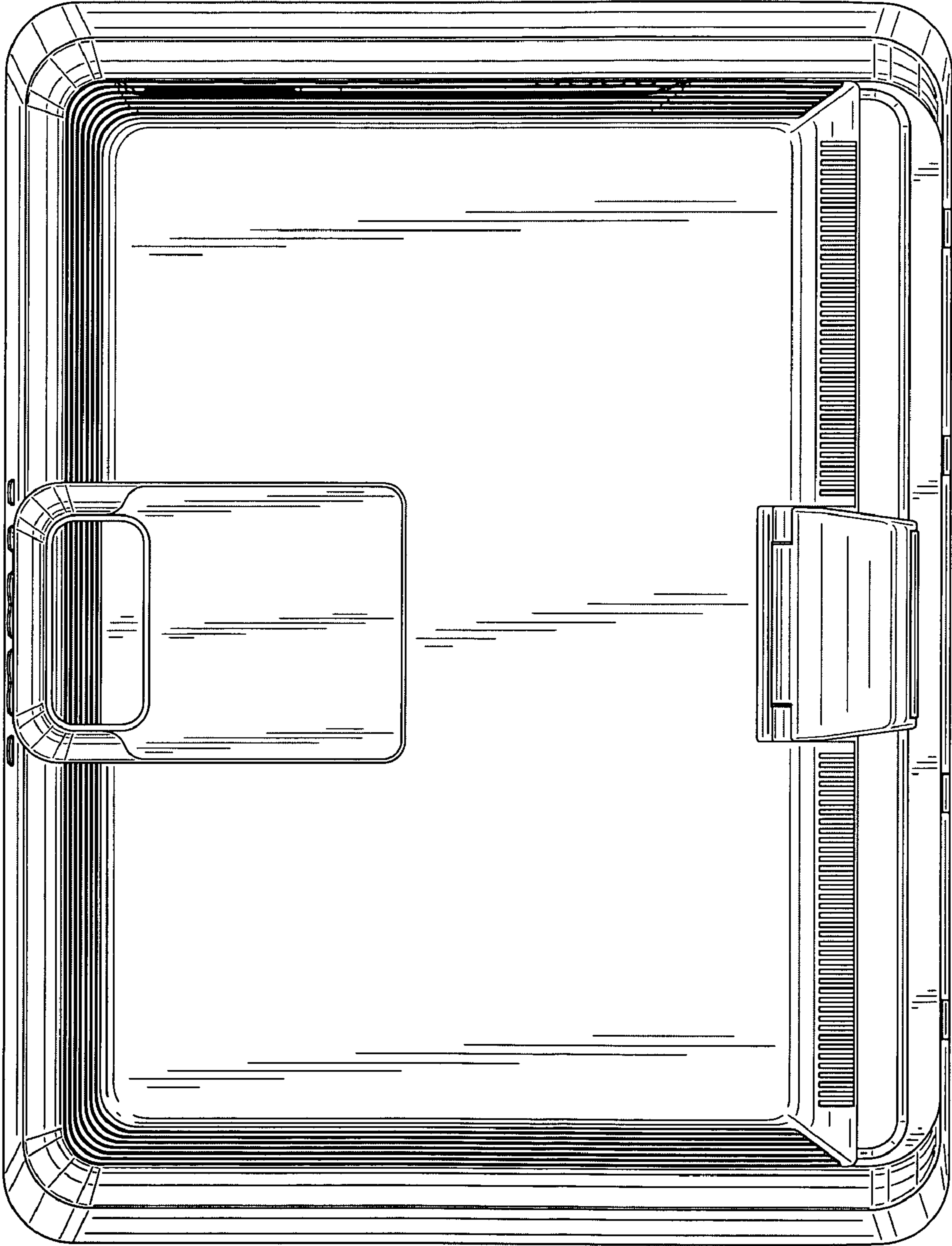


FIG.3

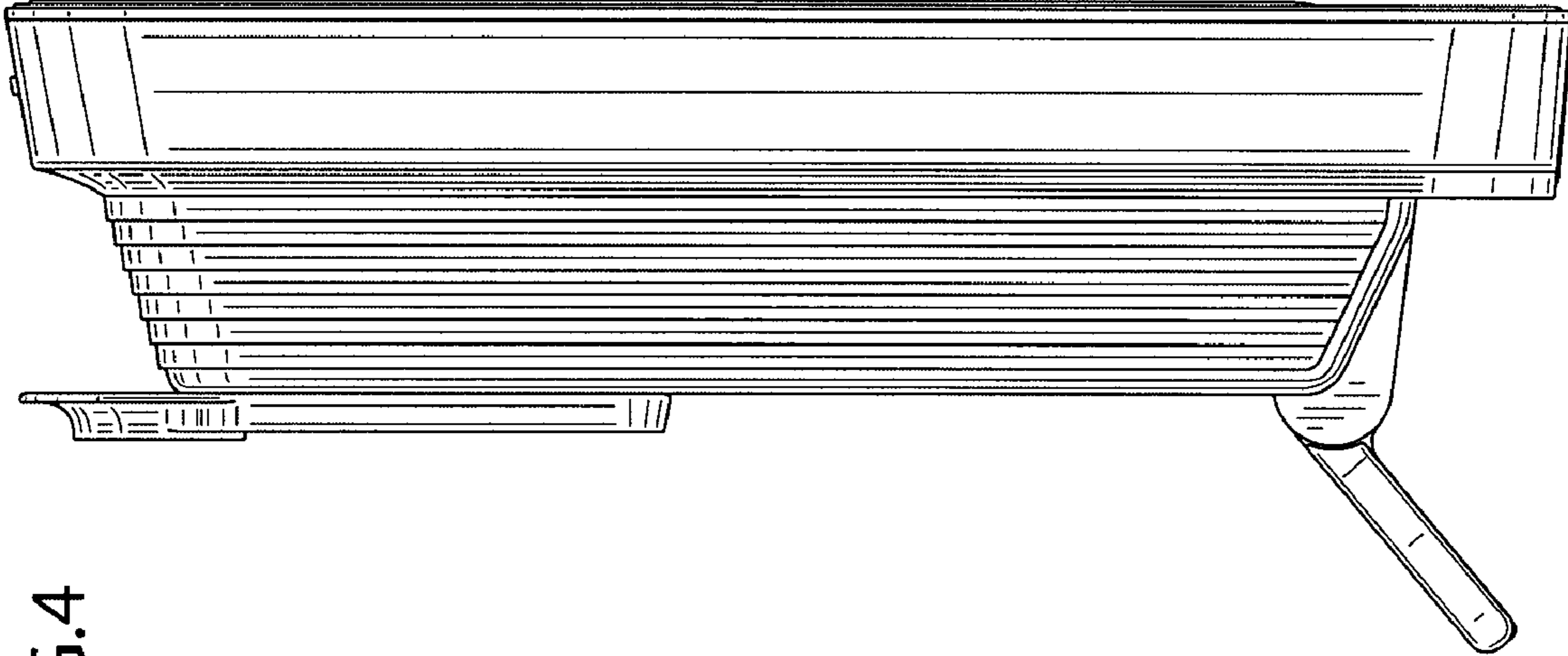


FIG.4

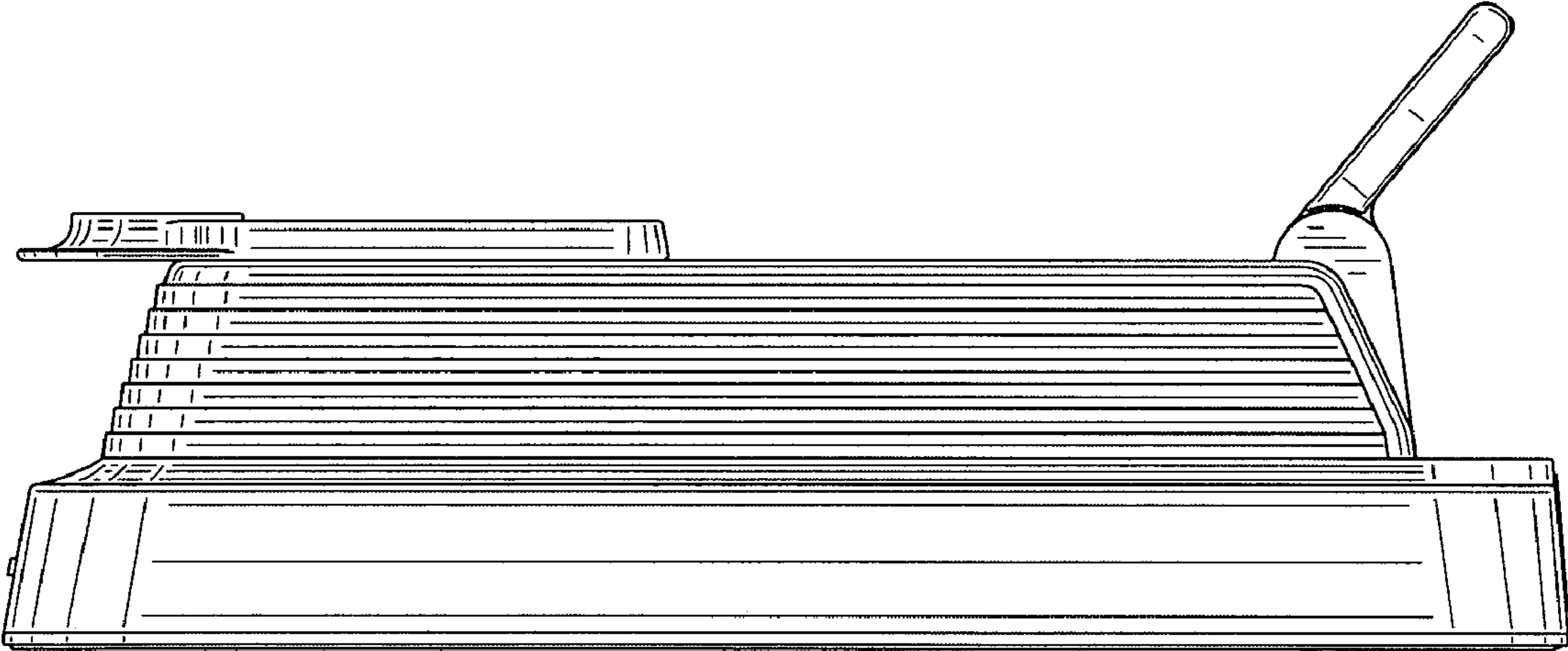


FIG.5

FIG.6

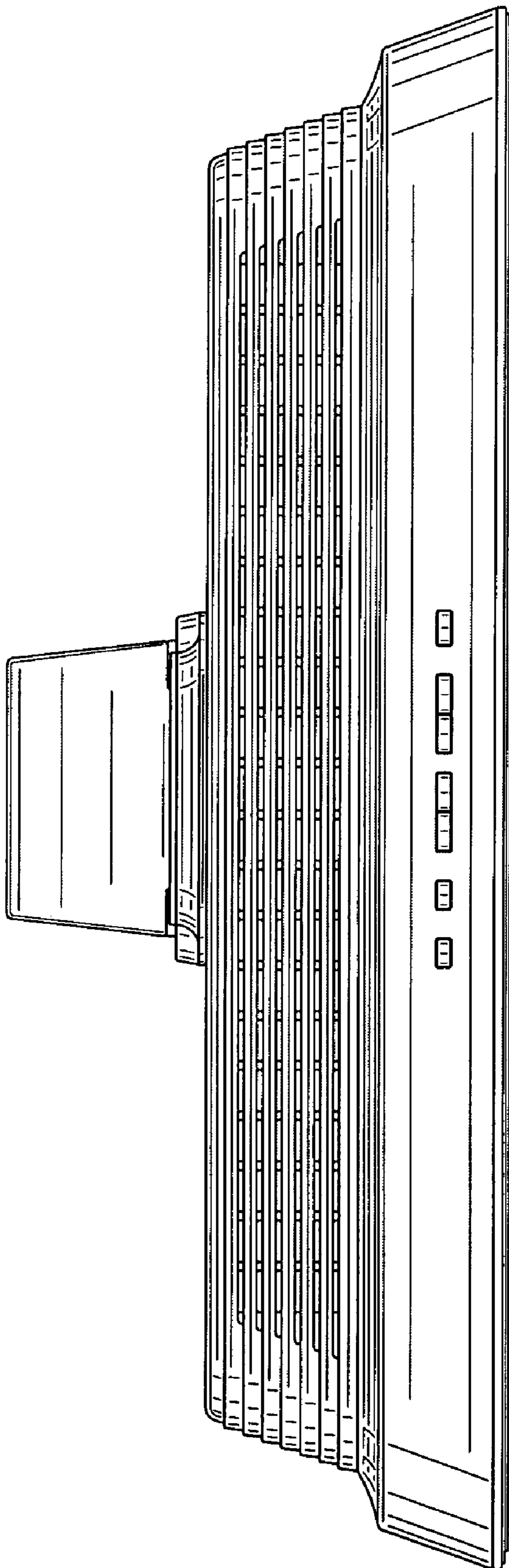


FIG.7

