



US00D585397S

(12) **United States Design Patent**  
**Hwang**

(10) **Patent No.:** **US D585,397 S**  
(45) **Date of Patent:** **\*\* Jan. 27, 2009**

(54) **MULTI-MEDIA PHONE SYSTEM BASE UNIT WITH MONITOR**

(75) Inventor: **Steve Hwang**, San Francisco, CA (US)

(73) Assignee: **OpenPeak Inc.**, Boca Raton, FL (US)

(\*\*) Term: **14 Years**

(21) Appl. No.: **29/306,795**

(22) Filed: **Apr. 16, 2008**

(51) **LOC (9) Cl.** ..... **14-03**

(52) **U.S. Cl.** ..... **D14/130; D14/149**

(58) **Field of Classification Search** ..... D14/125-130, D14/136-137, 140-142, 147-151, 158-159, D14/171, 188, 225-226, 240, 243, 247, 251, D14/253, 349, 356, 358, 434, 371, 375, 329, D14/341, 144, 252, 145; 379/88.17, 90.01, 379/93.17, 387.01, 388.02, 419-420.04, 379/428.01-428.04, 434-436, 440, 446-447, 379/454-455; 381/16, 71.1; D13/107-108; 191/12.2 R; 320/108, 110, 113-115; 455/411, 455/550.1-90.3; 348/14.01-14.06; D6/300, D6/308; 40/735

See application file for complete search history.

(56) **References Cited**

**U.S. PATENT DOCUMENTS**

- 4,653,086 A \* 3/1987 Laube ..... 379/93.19
- D317,757 S \* 6/1991 Yokoi et al. .... D14/329
- D323,657 S \* 2/1992 Danielson et al. .... D14/151
- D350,743 S \* 9/1994 Hicks et al. .... D14/130
- D354,954 S \* 1/1995 Naito et al. .... D14/130
- D375,735 S \* 11/1996 Tochishita ..... D14/144
- D411,534 S \* 6/1999 Lepack et al. .... D14/130
- D411,987 S \* 7/1999 Mizusugi et al. .... D14/329
- D418,489 S \* 1/2000 Renard ..... D14/329

- D469,072 S \* 1/2003 Dickinson ..... D14/149
- D472,226 S \* 3/2003 De Saulles ..... D14/145
- D478,881 S \* 8/2003 O'Leary et al. .... D14/130
- D479,517 S \* 9/2003 Weidinger ..... D14/151

**FOREIGN PATENT DOCUMENTS**

WO DM/055768 \* 4/2001

**OTHER PUBLICATIONS**

Vialta Beamer BM80: Single Pack Video Phone, <URL:http://www.101phones.com/details/0-880/Beamer-BM80%2bSingle-Pack-Video-Phone.html>, retrieved from internet Sep. 20, 2008 5:39:35 PM.\*

\* cited by examiner

*Primary Examiner*—Ian Simmons

*Assistant Examiner*—Carla Jobe Wright

(74) *Attorney, Agent, or Firm*—Sterne, Kessler, Goldstein & Fox P.L.L.C.

(57) **CLAIM**

The ornamental design for a multi-media phone system base unit with monitor, as shown and described.

**DESCRIPTION**

FIG. 1 is a perspective view of a multi-media phone system base unit with monitor showing my new design;

FIG. 2 is a front view thereof;

FIG. 3 is a rear view thereof;

FIG. 4 is a side view thereof;

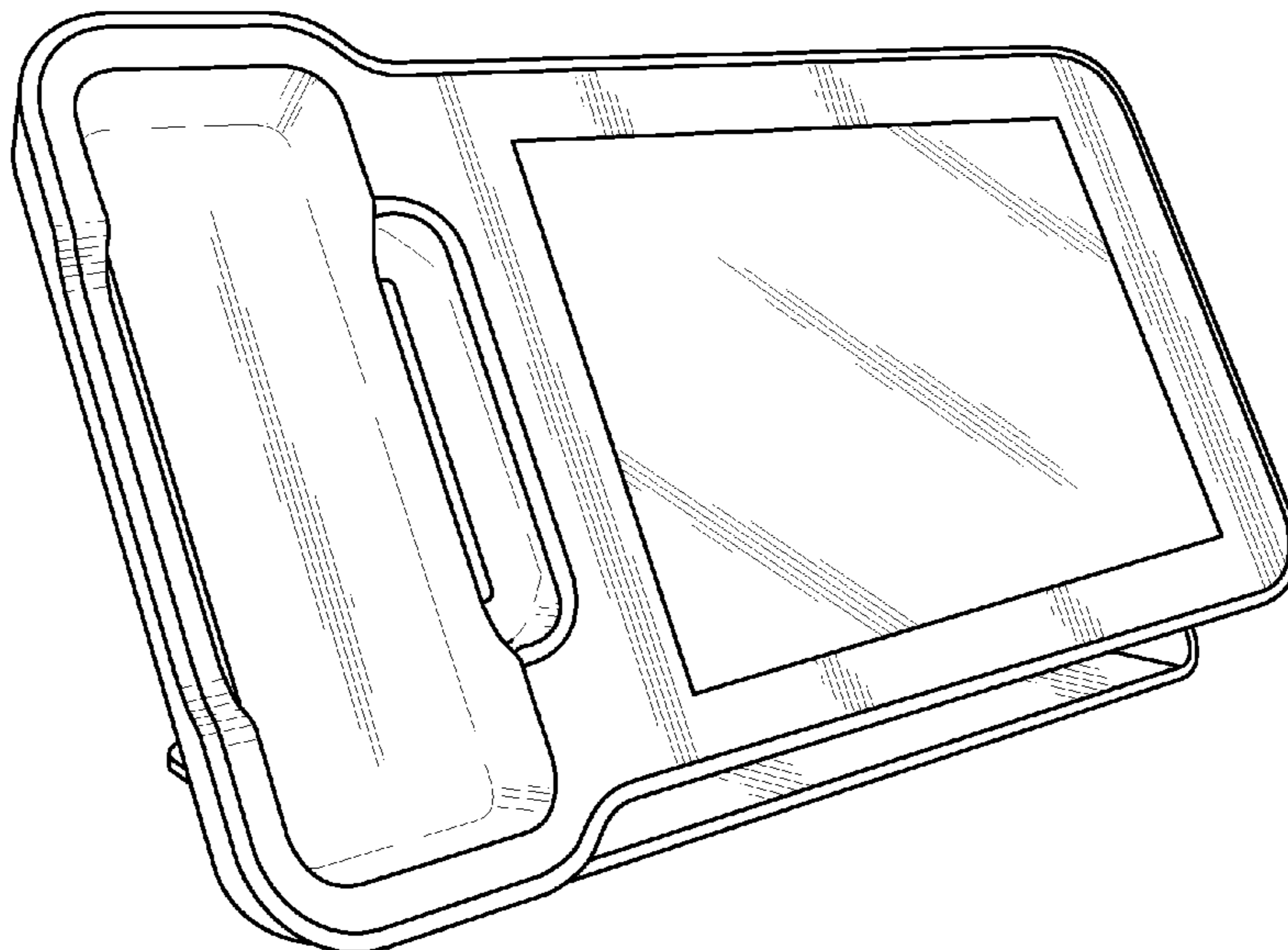
FIG. 5 is another side view thereof;

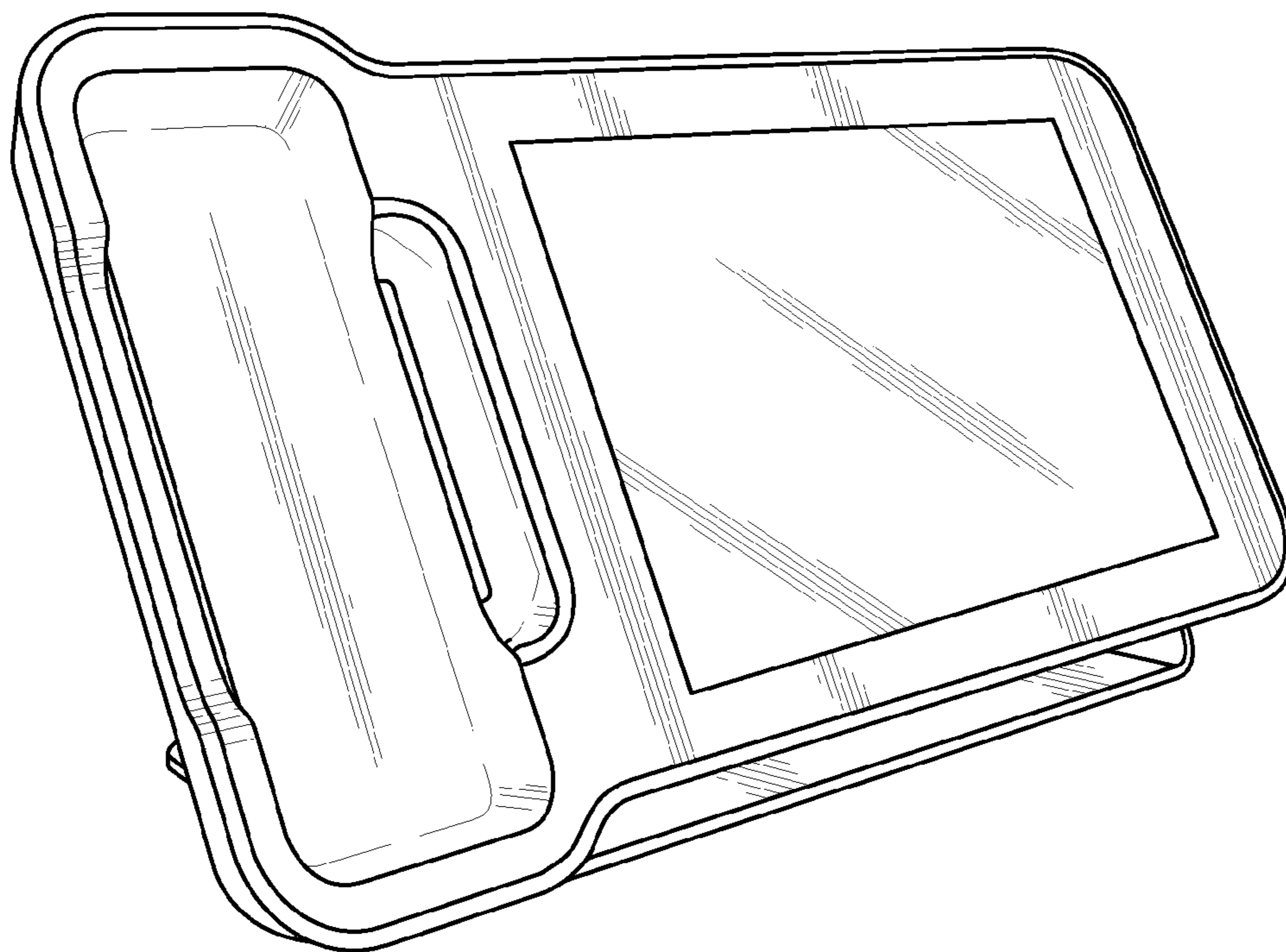
FIG. 6 is a top view thereof; and,

FIG. 7 is a bottom view thereof.

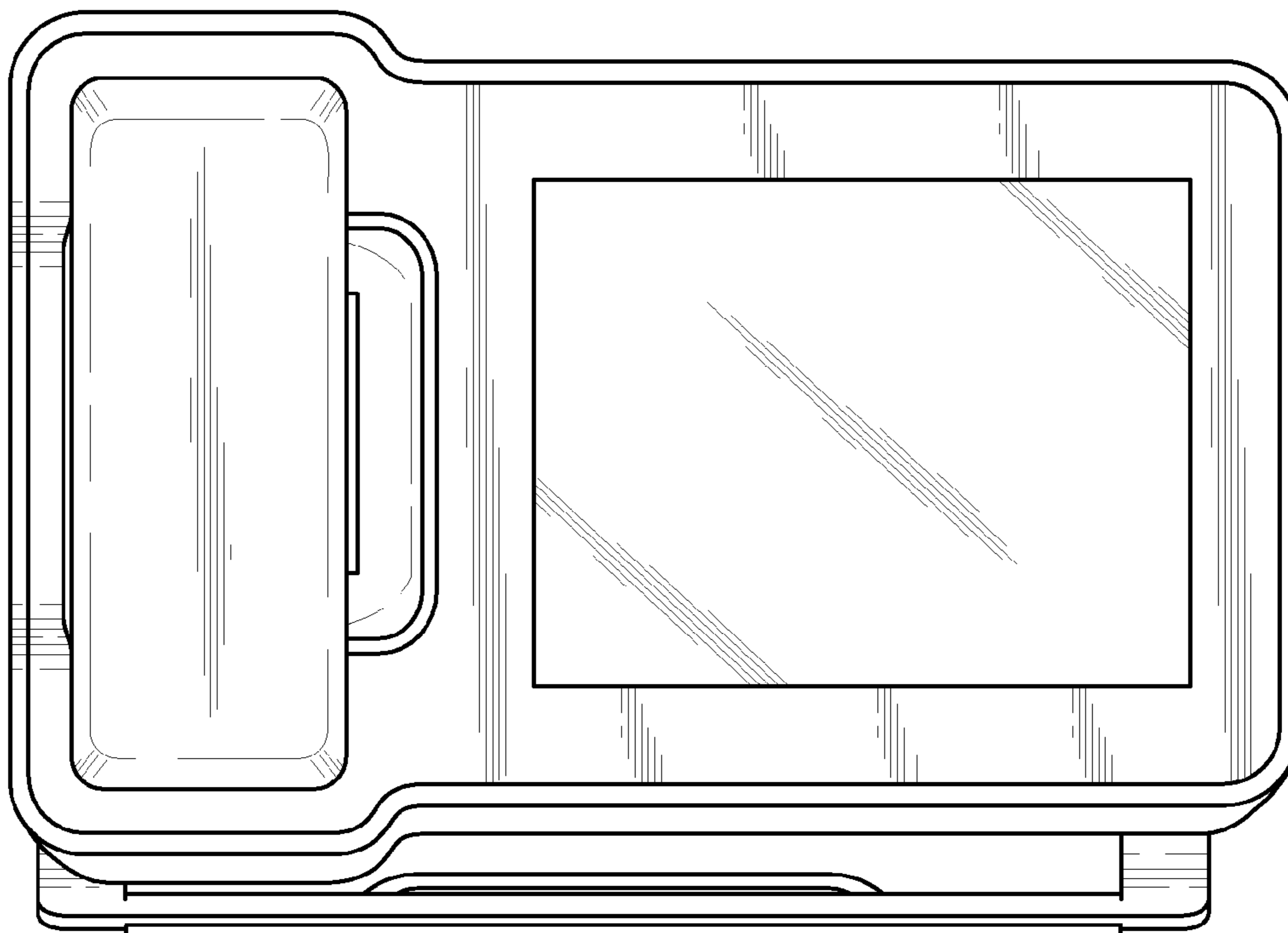
The broken lines in the Figures are for illustrative purposes only and form no part of the claimed design.

**1 Claim, 3 Drawing Sheets**





**FIG. 1**



**FIG. 2**

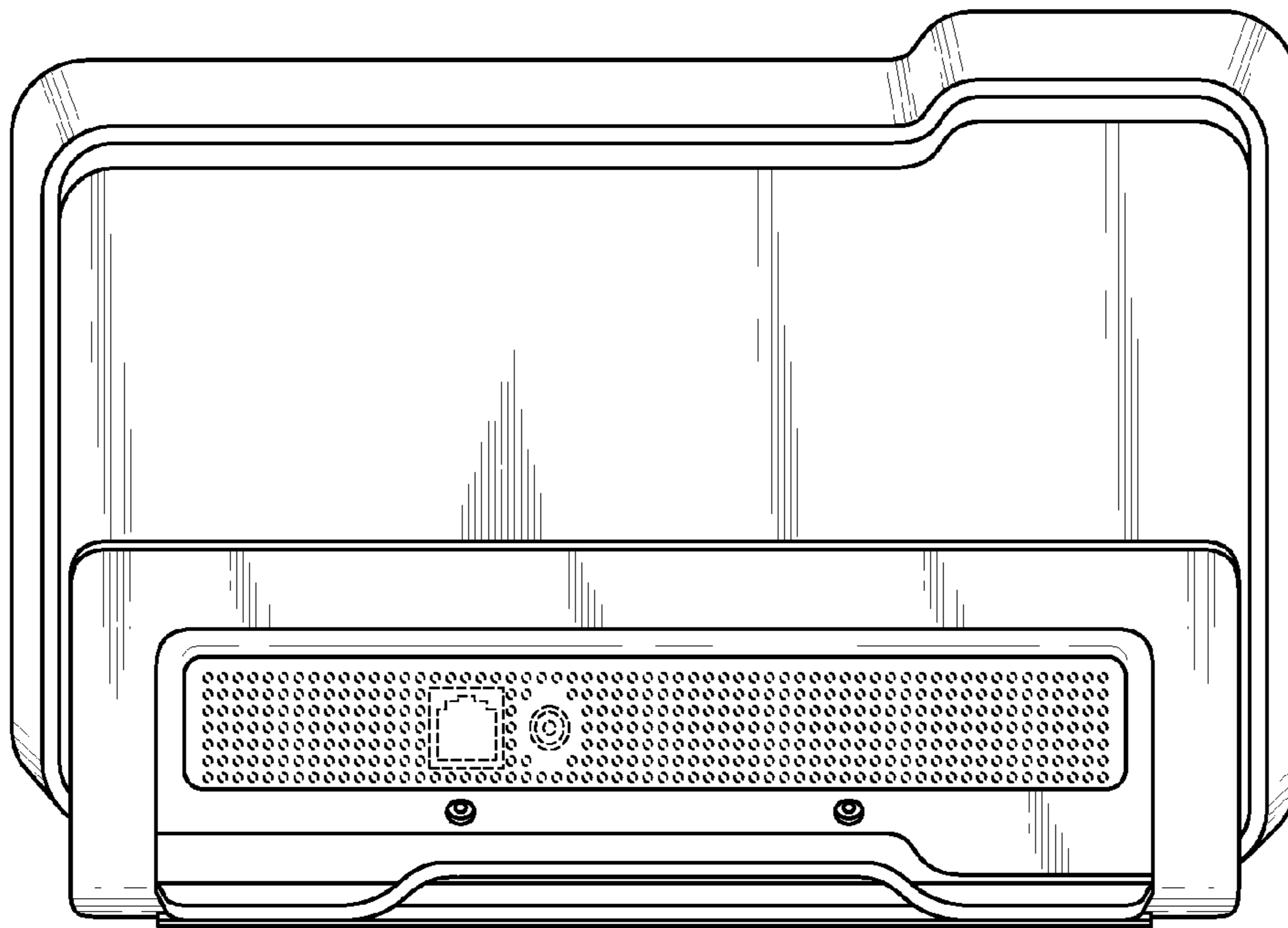


FIG. 3

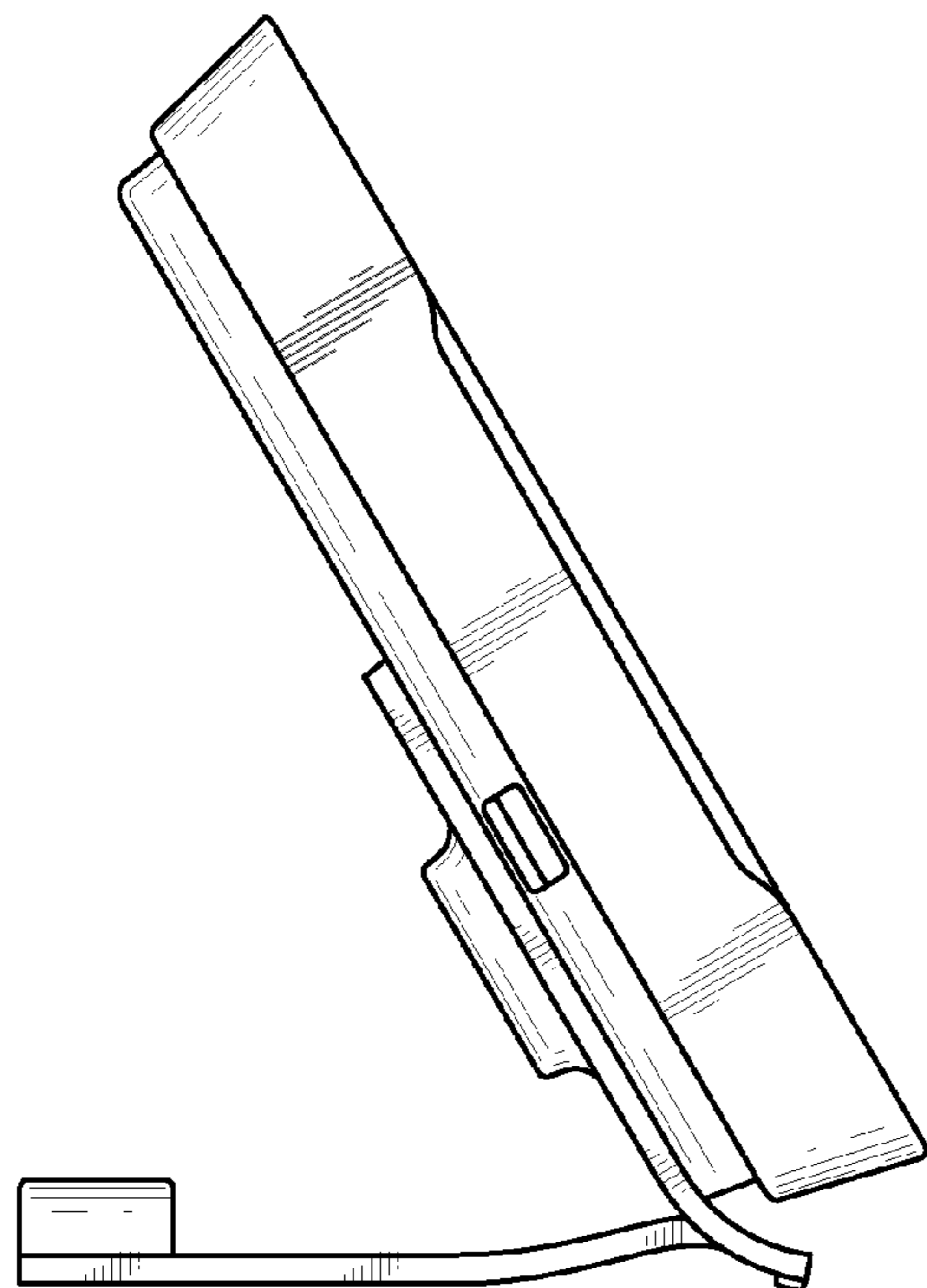


FIG. 4

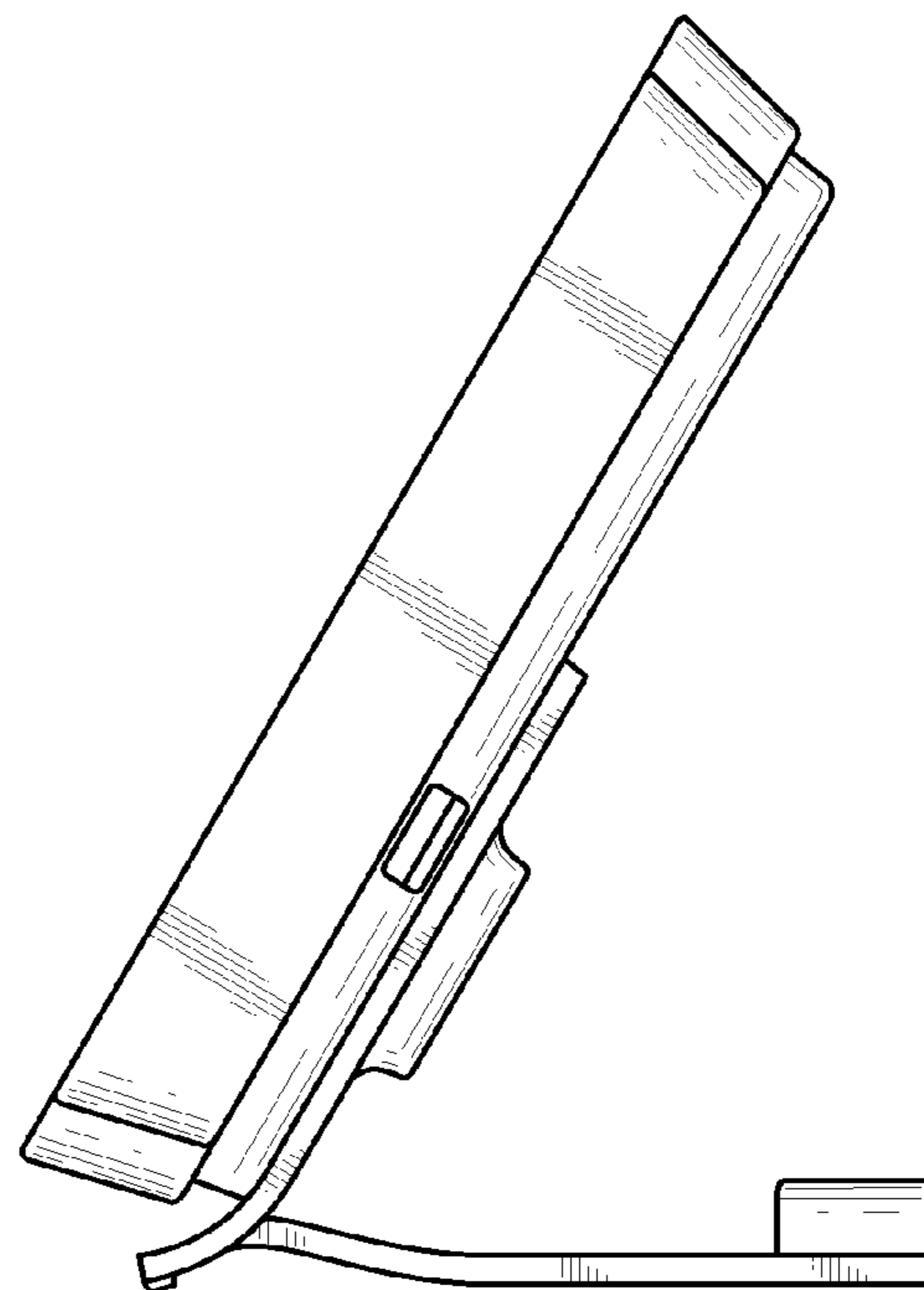
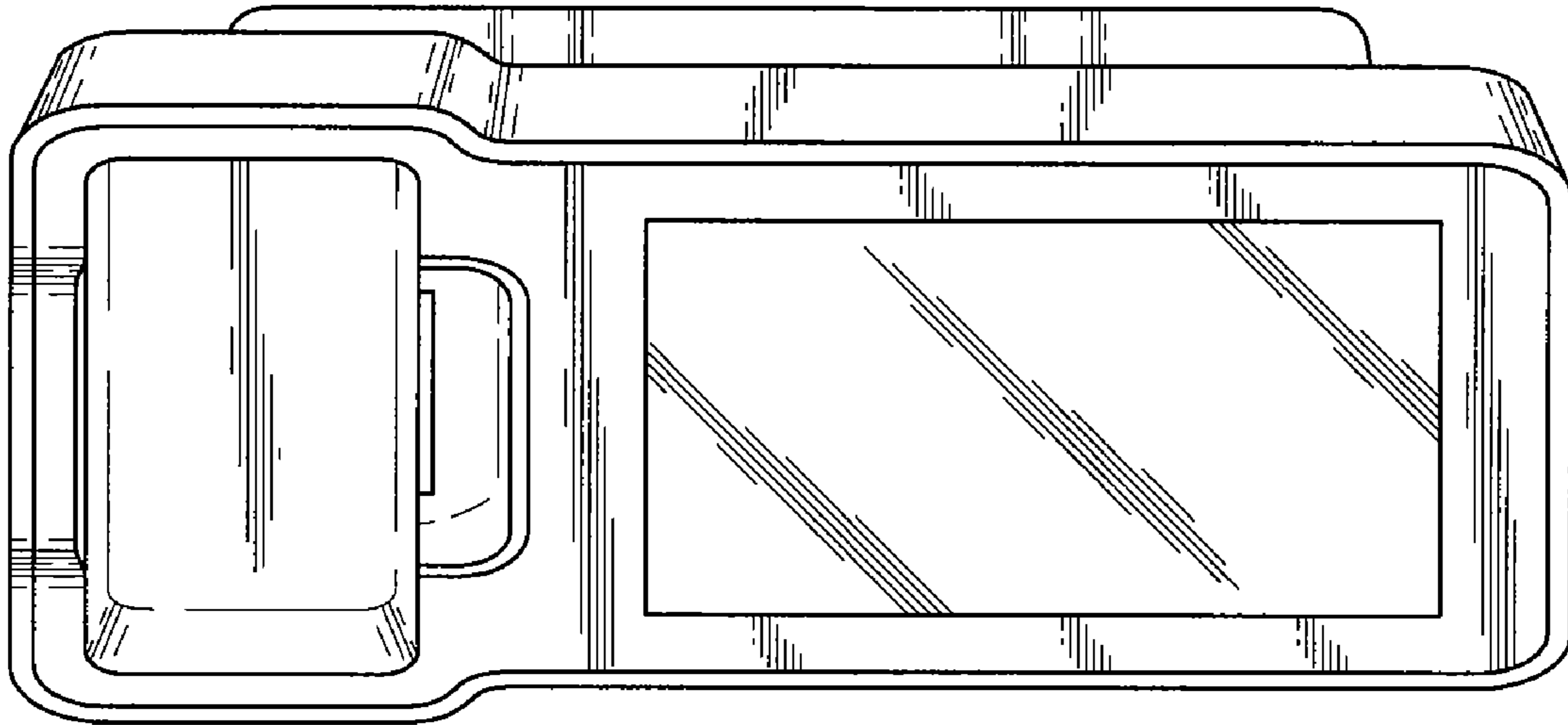
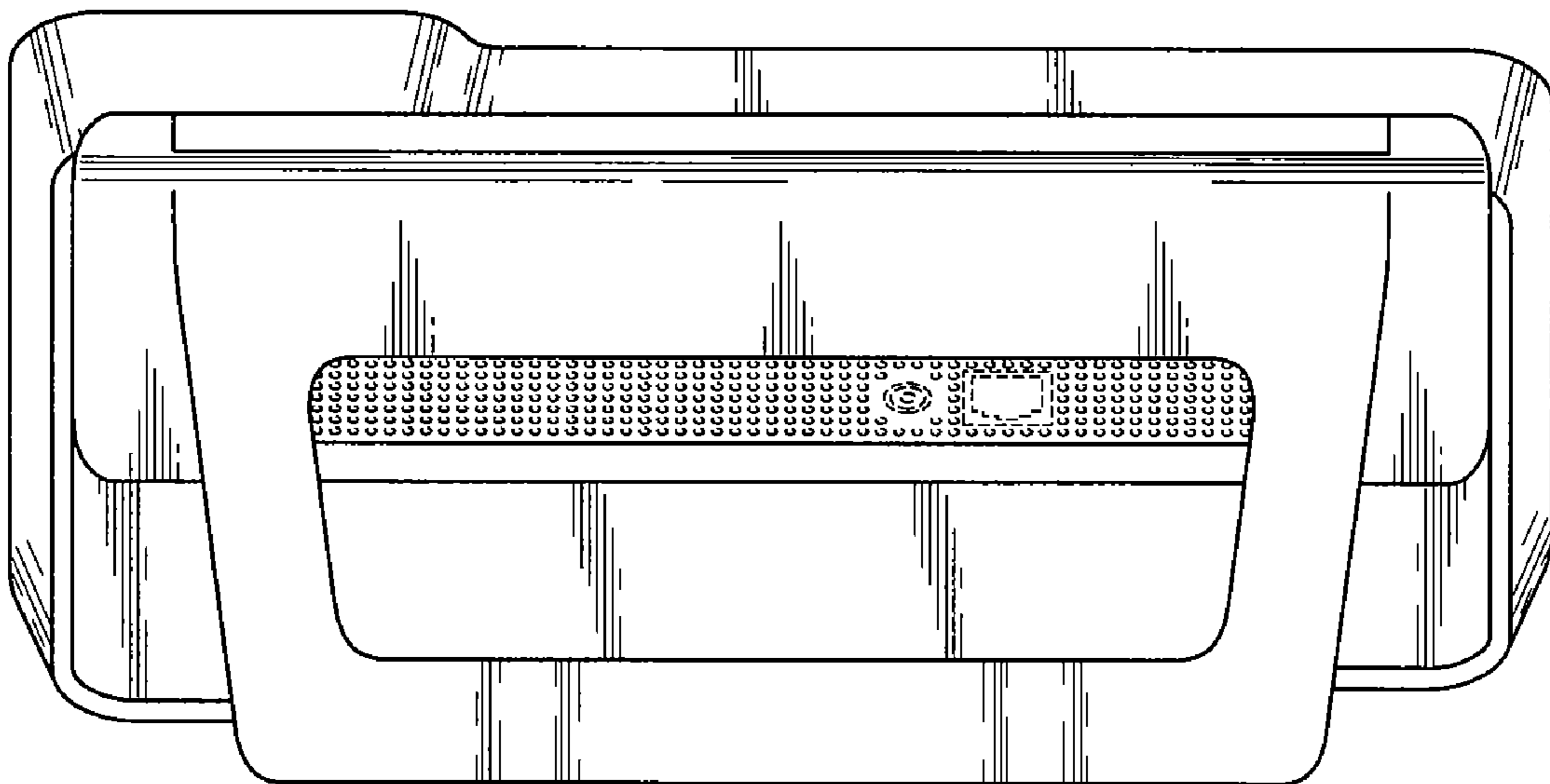


FIG. 5



**FIG. 6**



**FIG. 7**