



US00D585393S

(12) **United States Design Patent**
Jeng et al.

(10) **Patent No.:** **US D585,393 S**

(45) **Date of Patent:** **** Jan. 27, 2009**

(54) **ELECTRONIC COMPONENT COOLING APPARATUS**

(75) Inventors: **Yuh-Wen Jeng**, Taipei (TW);
Guo-Shiung Tzeng, Taipei (TW)

(73) Assignee: **AMA Precision Inc.**, Taipei (TW)

(**) Term: **14 Years**

(21) Appl. No.: **29/296,449**

(22) Filed: **Oct. 21, 2007**

(30) **Foreign Application Priority Data**

Aug. 3, 2007 (TW) 96304261

(51) **LOC (9) Cl.** **13-03**

(52) **U.S. Cl.** **D13/179**

(58) **Field of Classification Search** D13/179;
165/80.3, 104.33, 151, 122, 185; 257/706,
257/707, 718-722; 361/687, 695, 697, 700,
361/702, 704, 709, 710, 711, 719

See application file for complete search history.

(56) **References Cited**

U.S. PATENT DOCUMENTS

D467,559 S * 12/2002 Lee D13/179
6,779,595 B1 * 8/2004 Chiang 165/104.33
6,883,592 B2 * 4/2005 Lee 165/80.3

6,918,429 B2 * 7/2005 Lin et al. 165/80.3
6,955,214 B2 * 10/2005 Wang 165/104.33
D533,145 S * 12/2006 O'Sullivan et al. D13/179
2002/0043360 A1 * 4/2002 Lee 165/80.3
2003/0019610 A1 * 1/2003 Liu 165/80.3

* cited by examiner

Primary Examiner—Selina Sikder

(74) *Attorney, Agent, or Firm*—Jianq Chyun IP Office

(57) **CLAIM**

The ornamental design for an electronic component cooling apparatus, as shown and described.

DESCRIPTION

FIG. 1 is a perspective view of an electronic component cooling apparatus showing the new design;

FIG. 2 is a front view thereof;

FIG. 3 is a rear view thereof;

FIG. 4 is a left side view thereof;

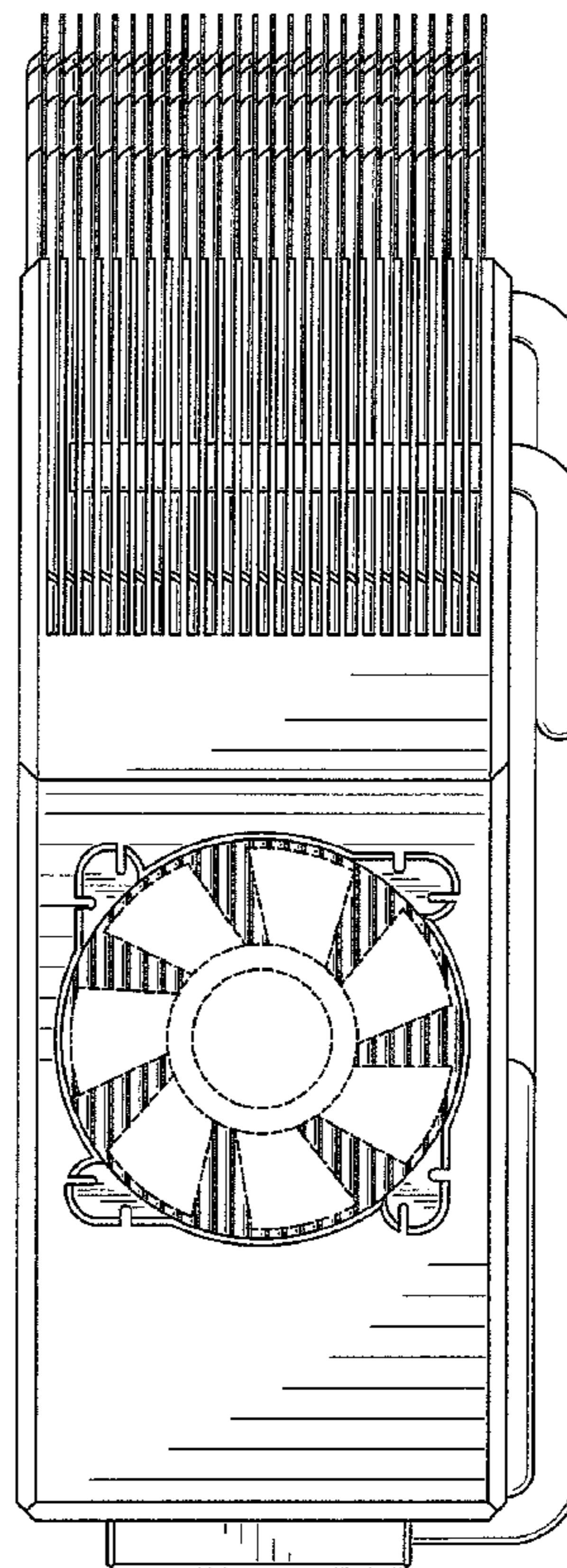
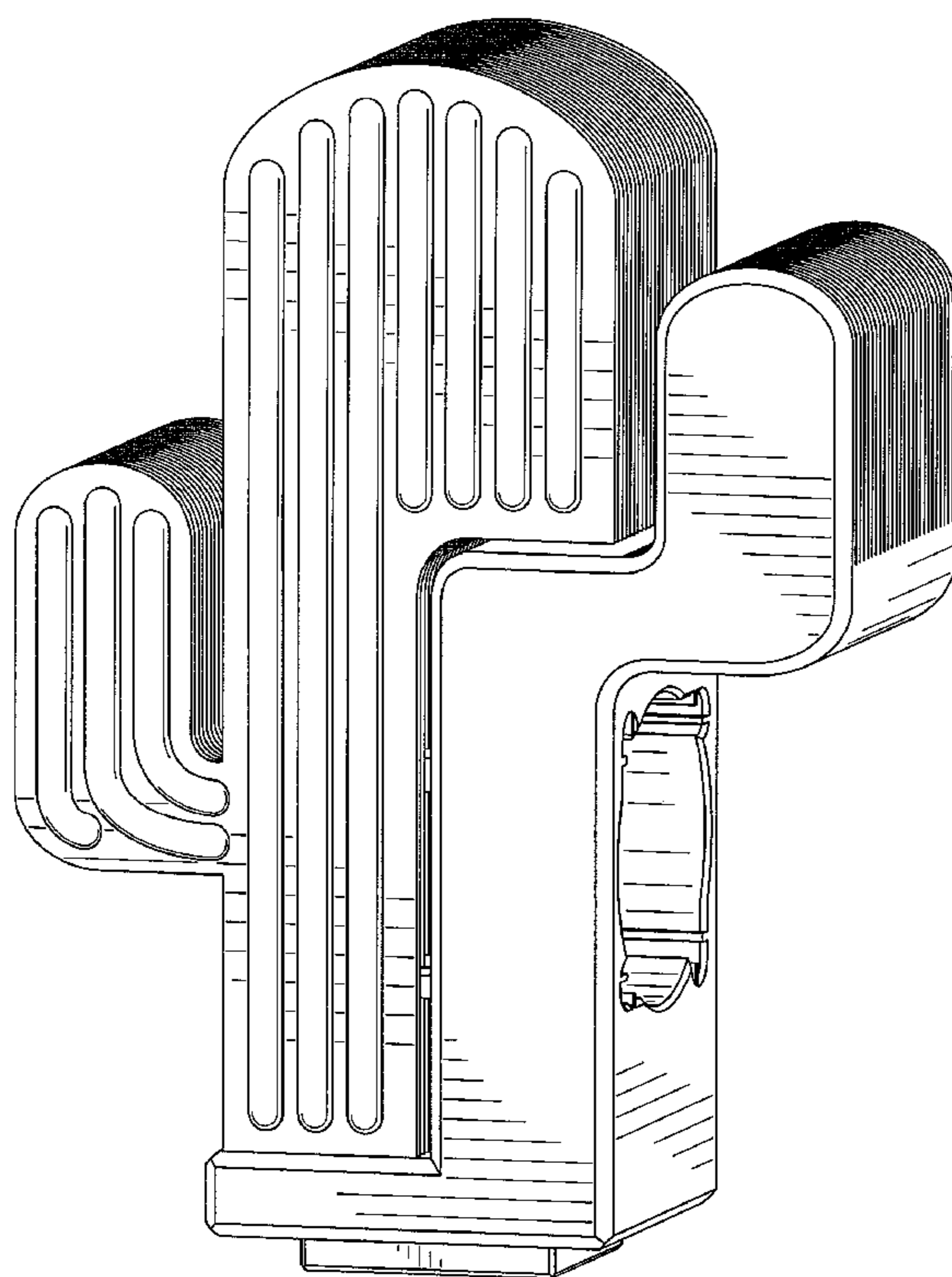
FIG. 5 is a right side view thereof;

FIG. 6 is a top view thereof; and,

FIG. 7 is a bottom view thereof.

The broken line shown in FIG. 5 is for illustrative purposes only and forms no part of the claimed design.

1 Claim, 6 Drawing Sheets



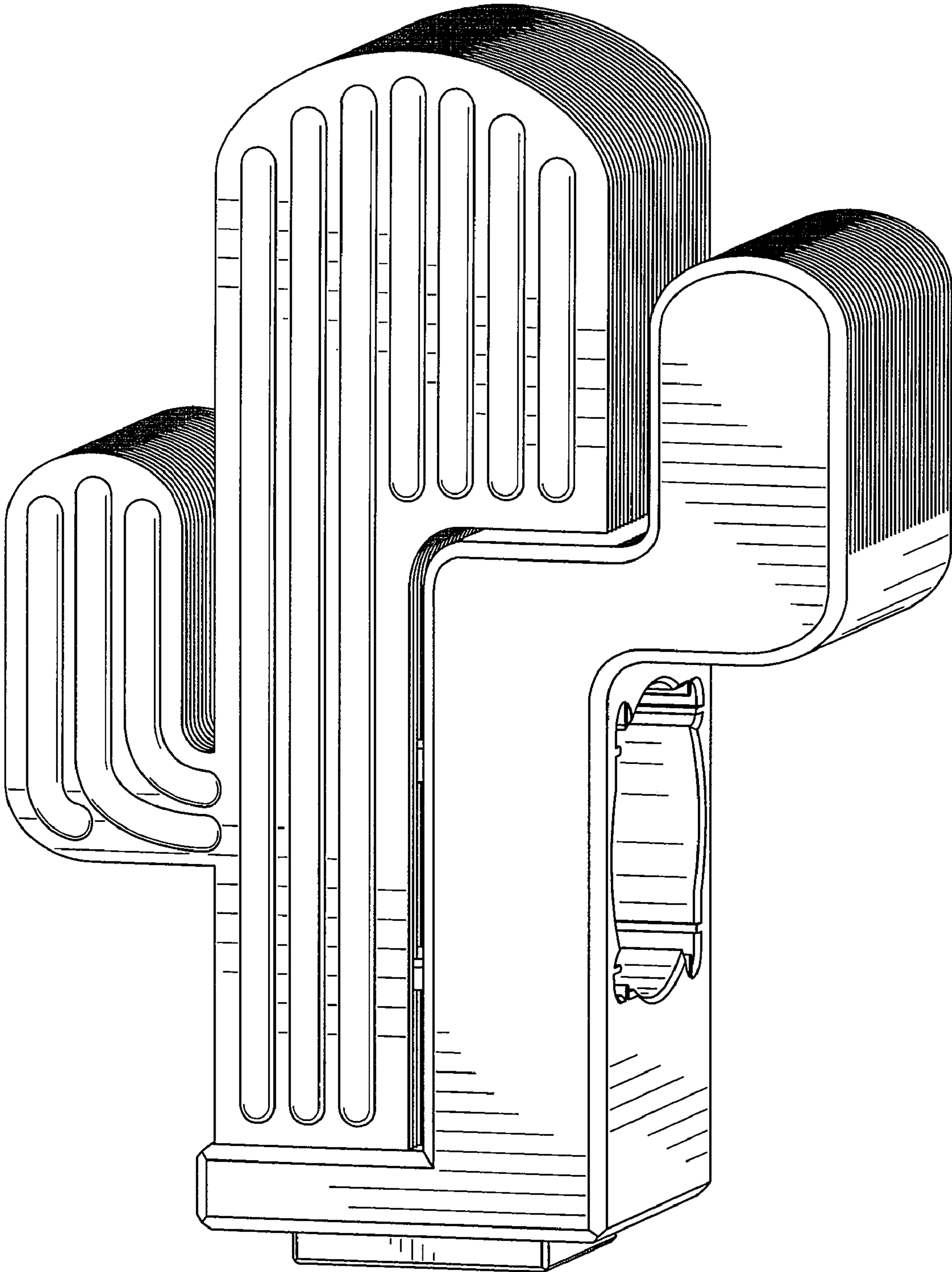


FIG. 1

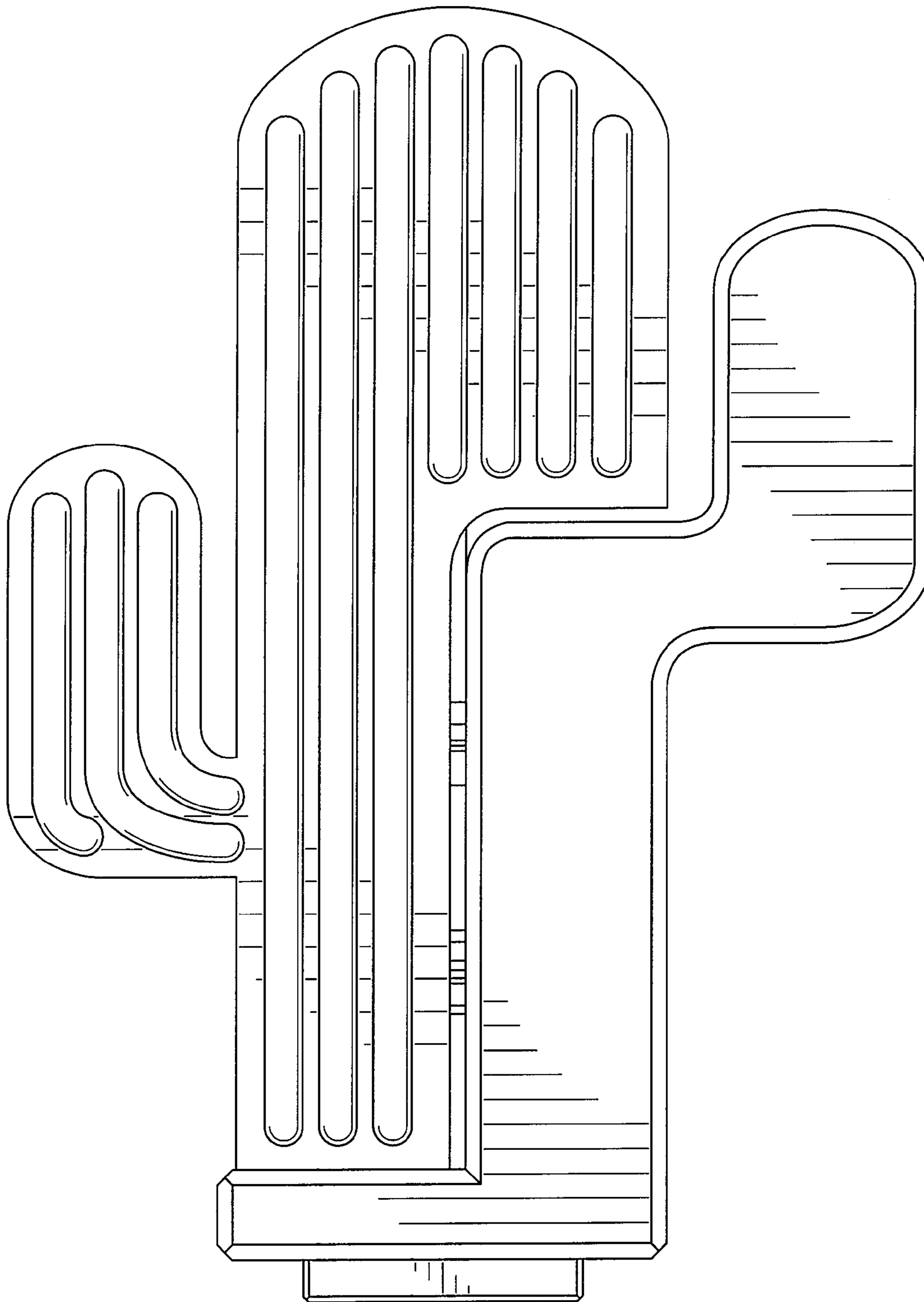


FIG. 2

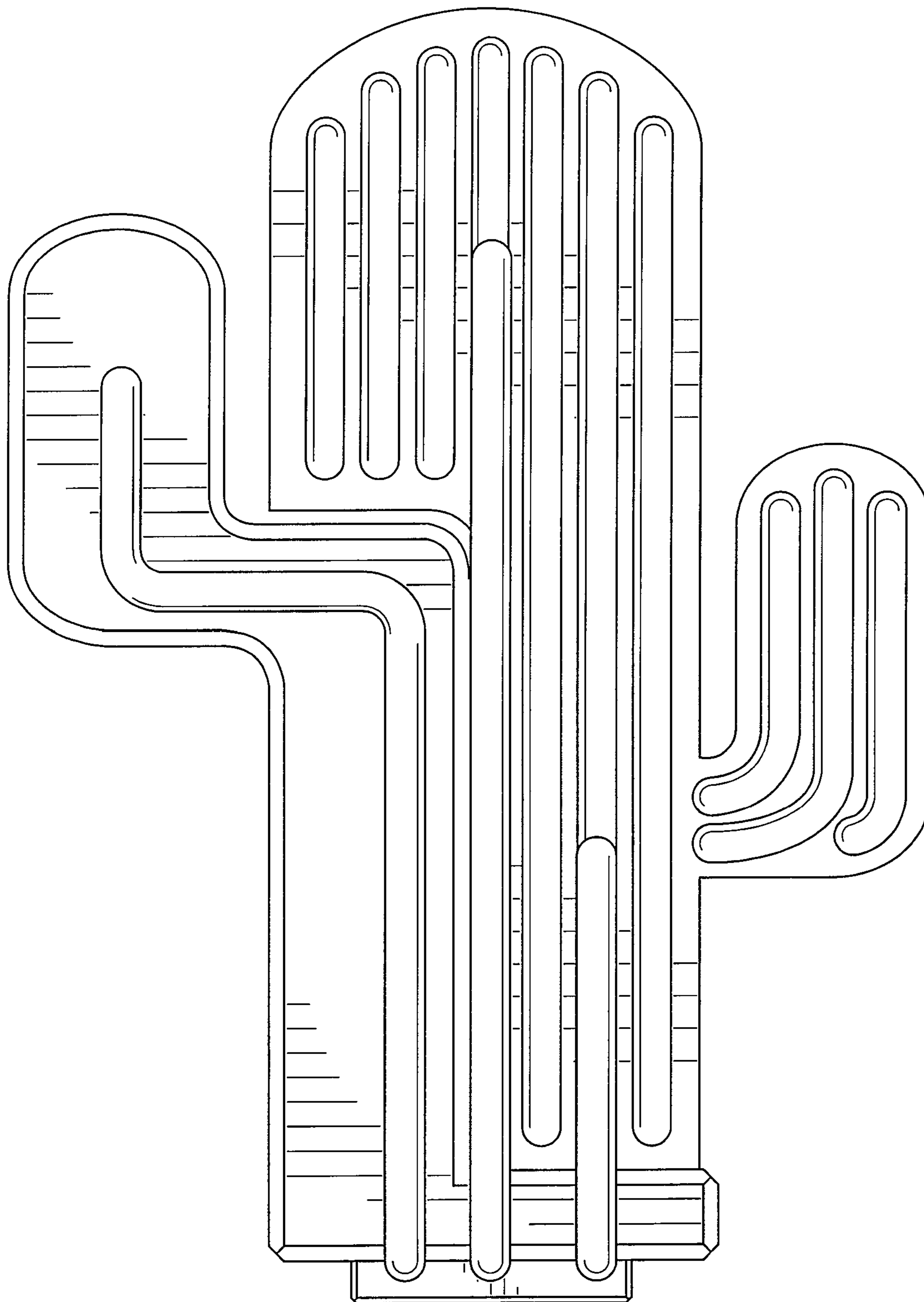


FIG. 3

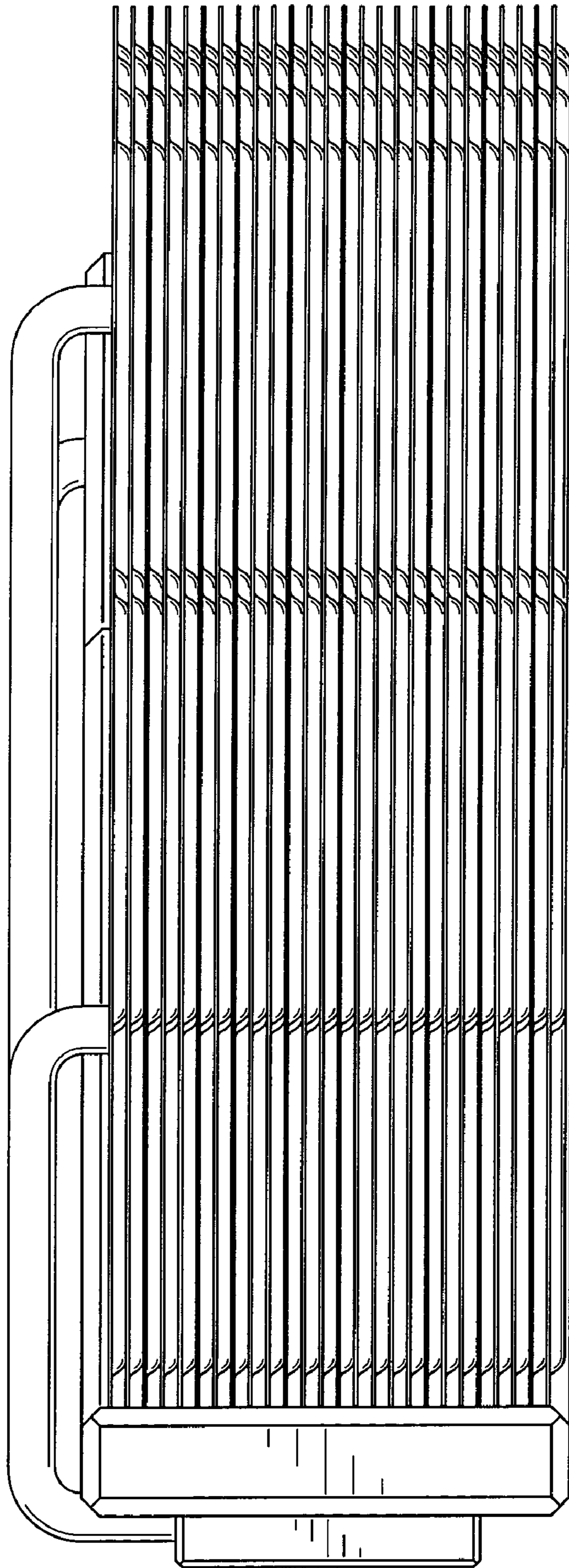


FIG. 4

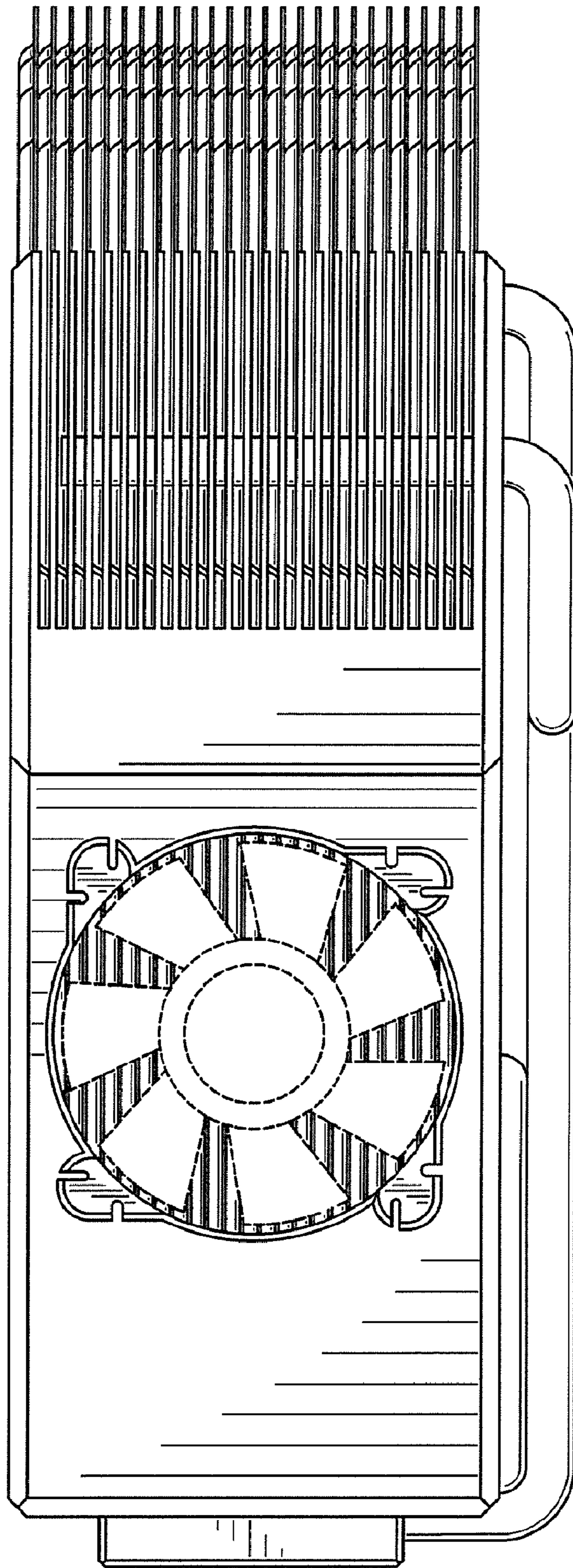


FIG. 5

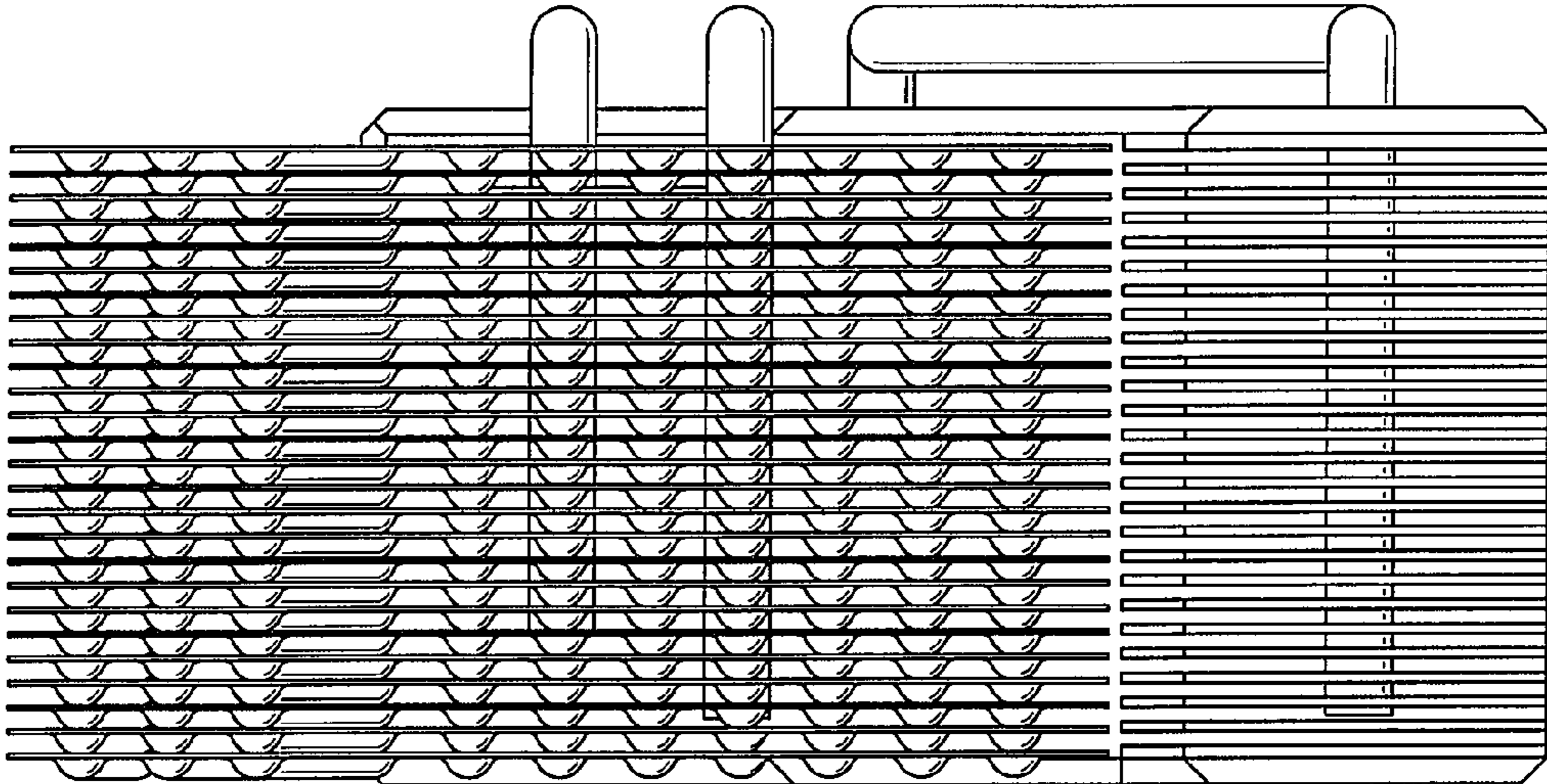


FIG. 6

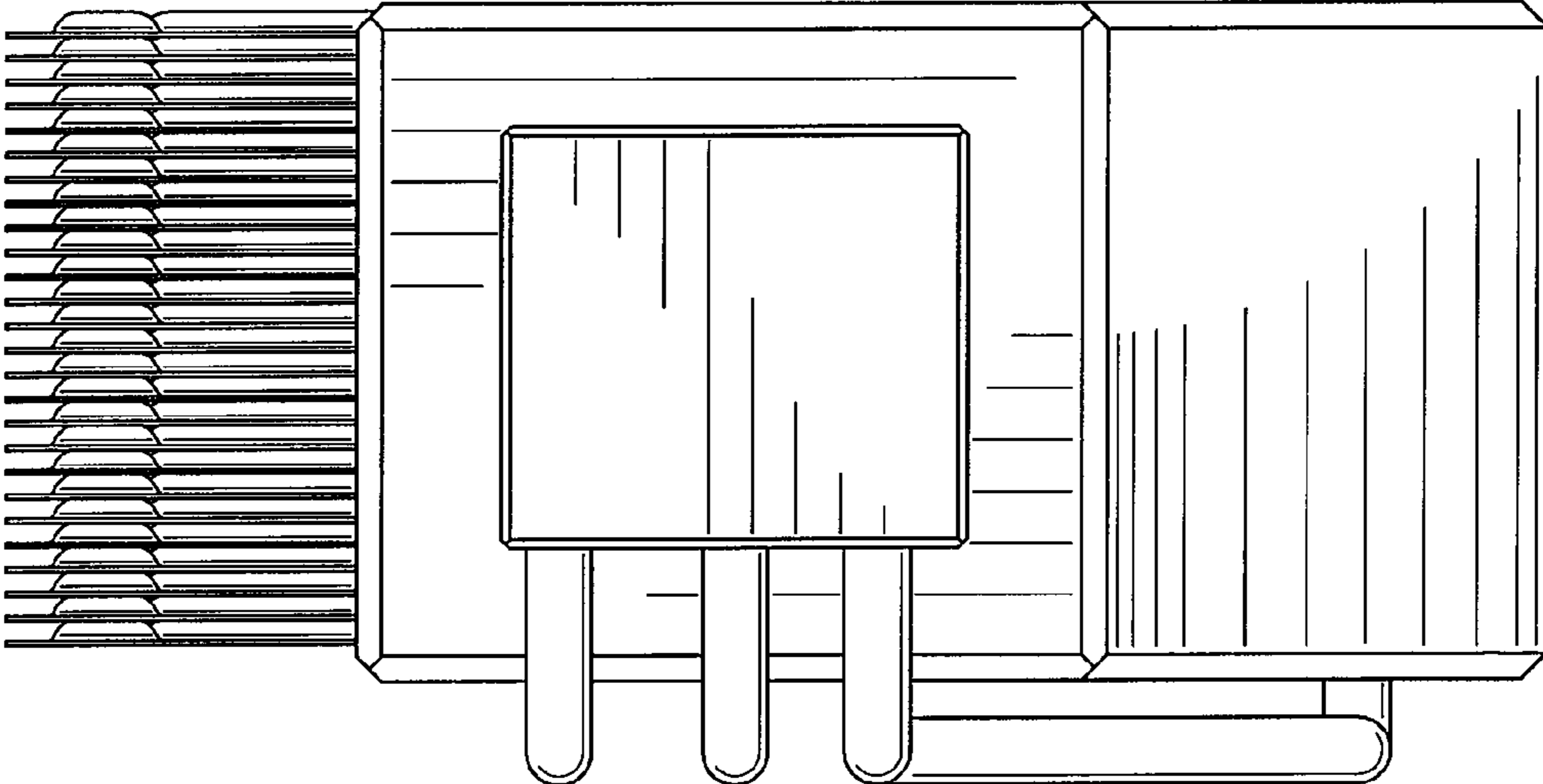


FIG. 7