



US00D585388S

(12) **United States Design Patent**
Ball et al.

(10) **Patent No.:** **US D585,388 S**
(45) **Date of Patent:** **** Jan. 27, 2009**

(54) **TEST SWITCH**

(75) Inventors: **Roy Ball**, Coral Springs, FL (US);
Timothy F. Masters, Boca Raton, FL (US)

(73) Assignee: **ABB Technology AG**, Zurich (CH)

(**) Term: **14 Years**

(21) Appl. No.: **29/235,665**

(22) Filed: **Aug. 4, 2005**

(51) **LOC (9) Cl.** **13-03**

(52) **U.S. Cl.** **D13/169**

(58) **Field of Classification Search** D13/158,
D13/162, 164, 169; 29/622; 200/5 A, 1 B,
200/433, 525, 553, 315, 335, 332, 339; 324/418-423,
324/754; 335/159; 361/189; 439/517, 521
See application file for complete search history.

(56) **References Cited**

U.S. PATENT DOCUMENTS

6,384,350	B1 *	5/2002	Shincovich et al.	200/5 A
6,551,126	B1 *	4/2003	Feldman	439/482
2005/0250376	A1 *	11/2005	Ostmeier	439/521
2006/0059681	A1 *	3/2006	Ball	29/622

* cited by examiner

Primary Examiner—Selina Sikder
(74) *Attorney, Agent, or Firm*—Paul R. Katterle; Michael M. Rickin; Michael C. Prewitt

(57) **CLAIM**

We claim the ornamental design for a test switch, as shown and described.

DESCRIPTION

FIG. 1 is a front and left side perspective view of a test switch of the present invention;

FIG. 2 is a rear and left side perspective view of the FIG. 1 test switch;

FIG. 3 is a front elevational view of the FIG. 1 test switch;

FIG. 4 is a rear elevational view of the FIG. 1 test switch;

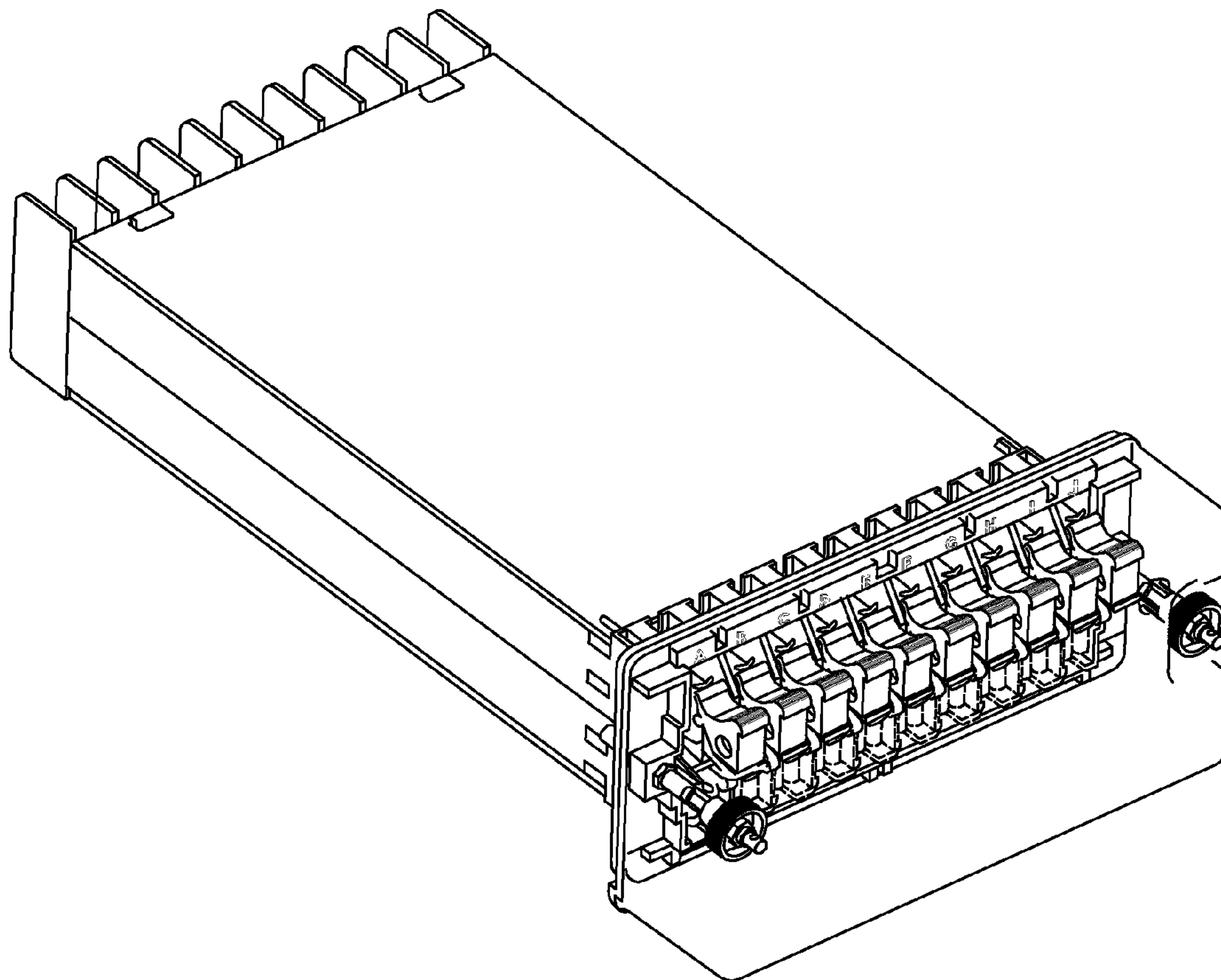
FIG. 5 is a right side elevational view of the FIG. 1 test switch, the left side being a mirror image of the right side;

FIG. 6 is a top plan view of the FIG. 1 test switch; and,

FIG. 7 is a bottom plan view of the FIG. 1 test switch.

The broken lines define portions of the test switch that form no part of the claimed design.

1 Claim, 7 Drawing Sheets



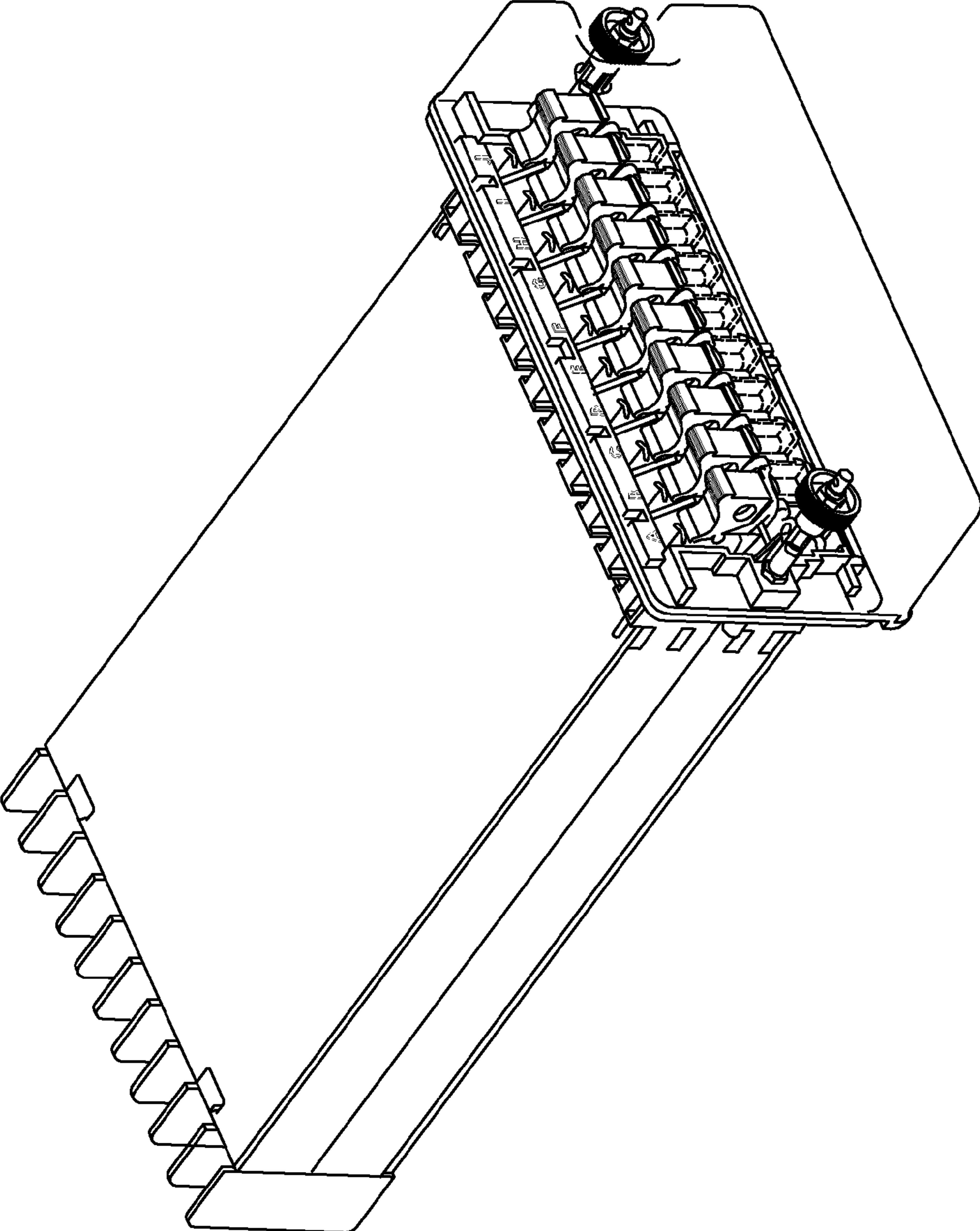


FIG.-1

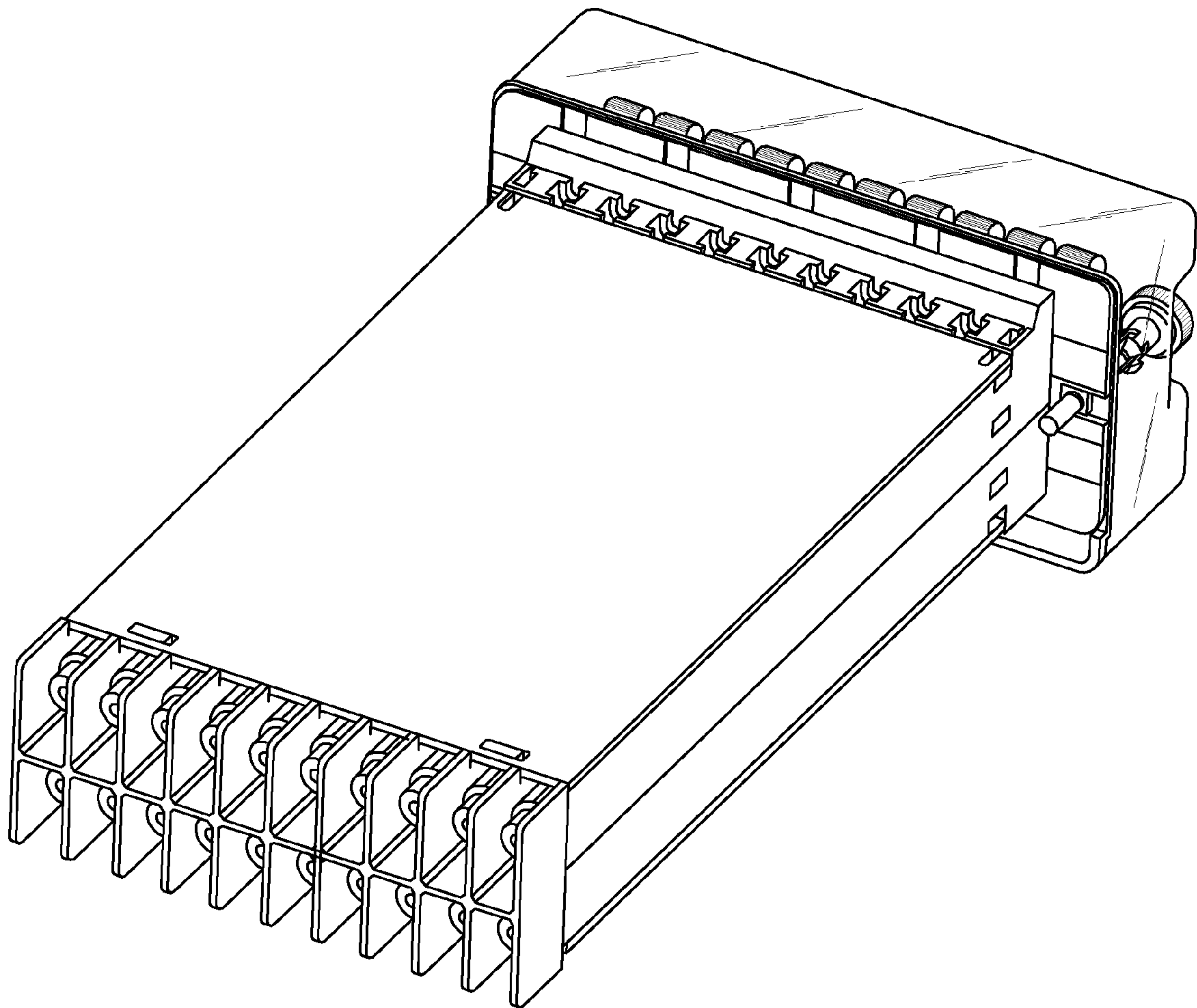


FIG.-2

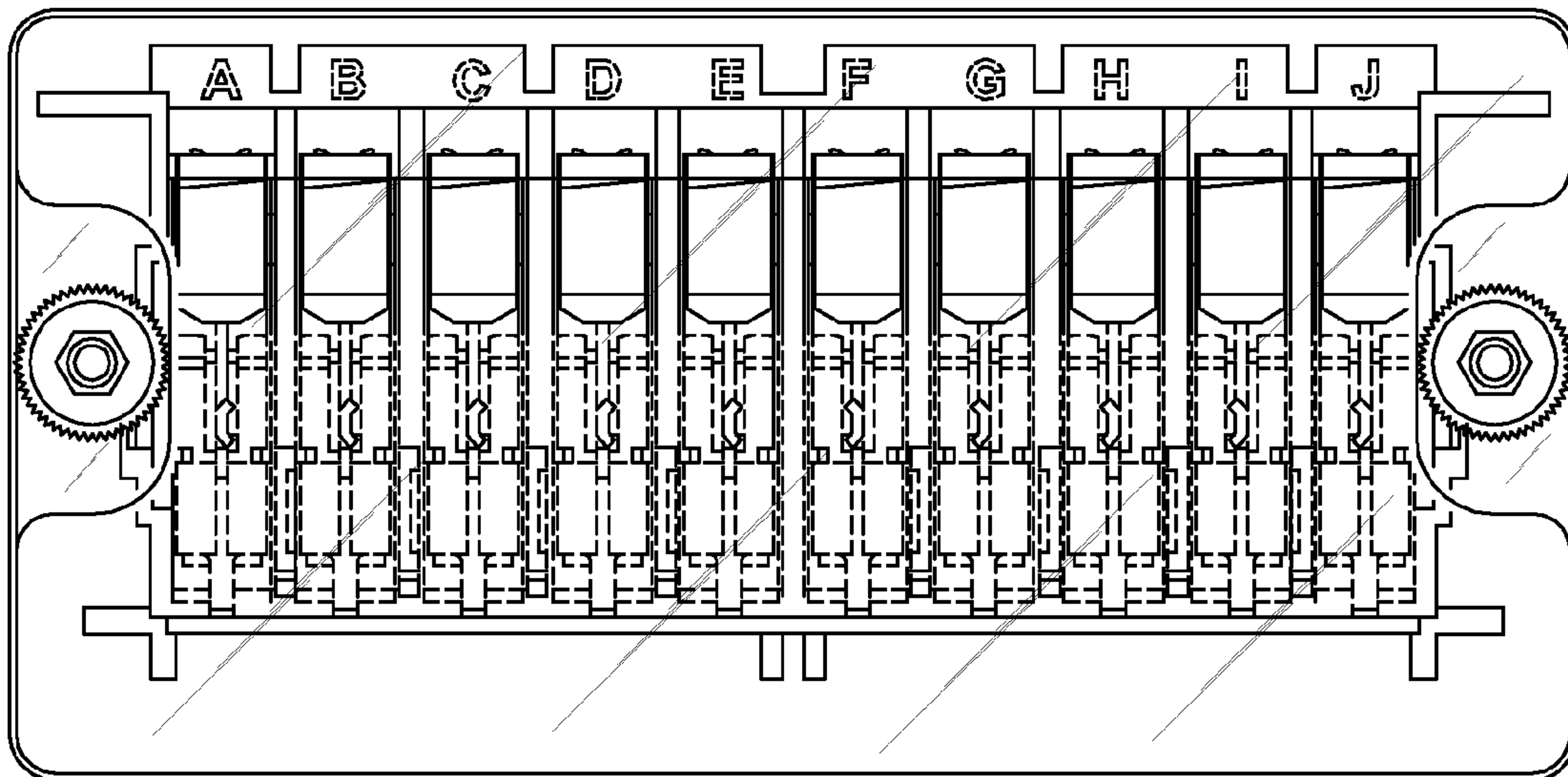


FIG.-3

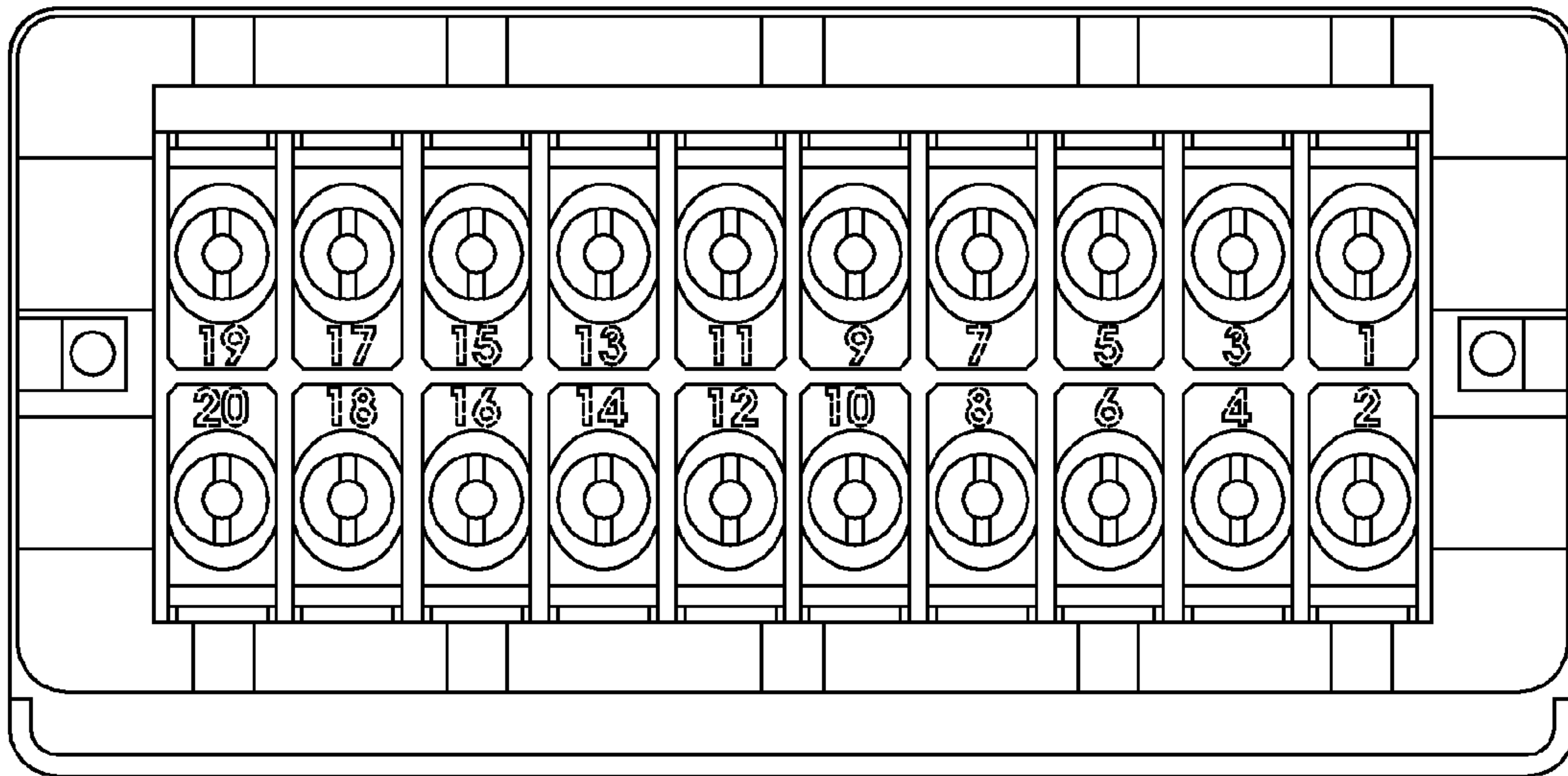


FIG.-4

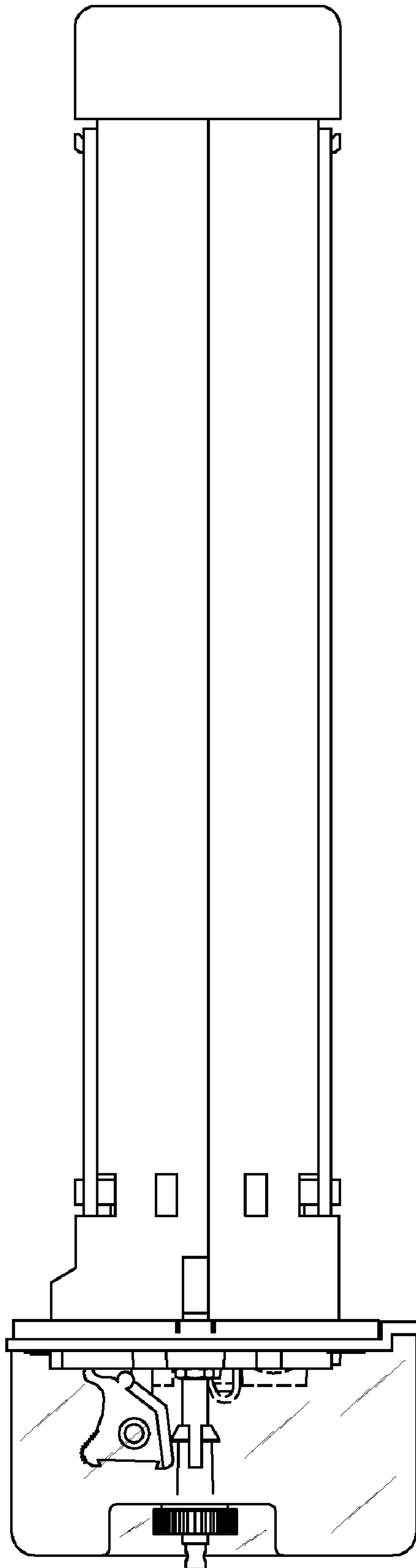


FIG. -5

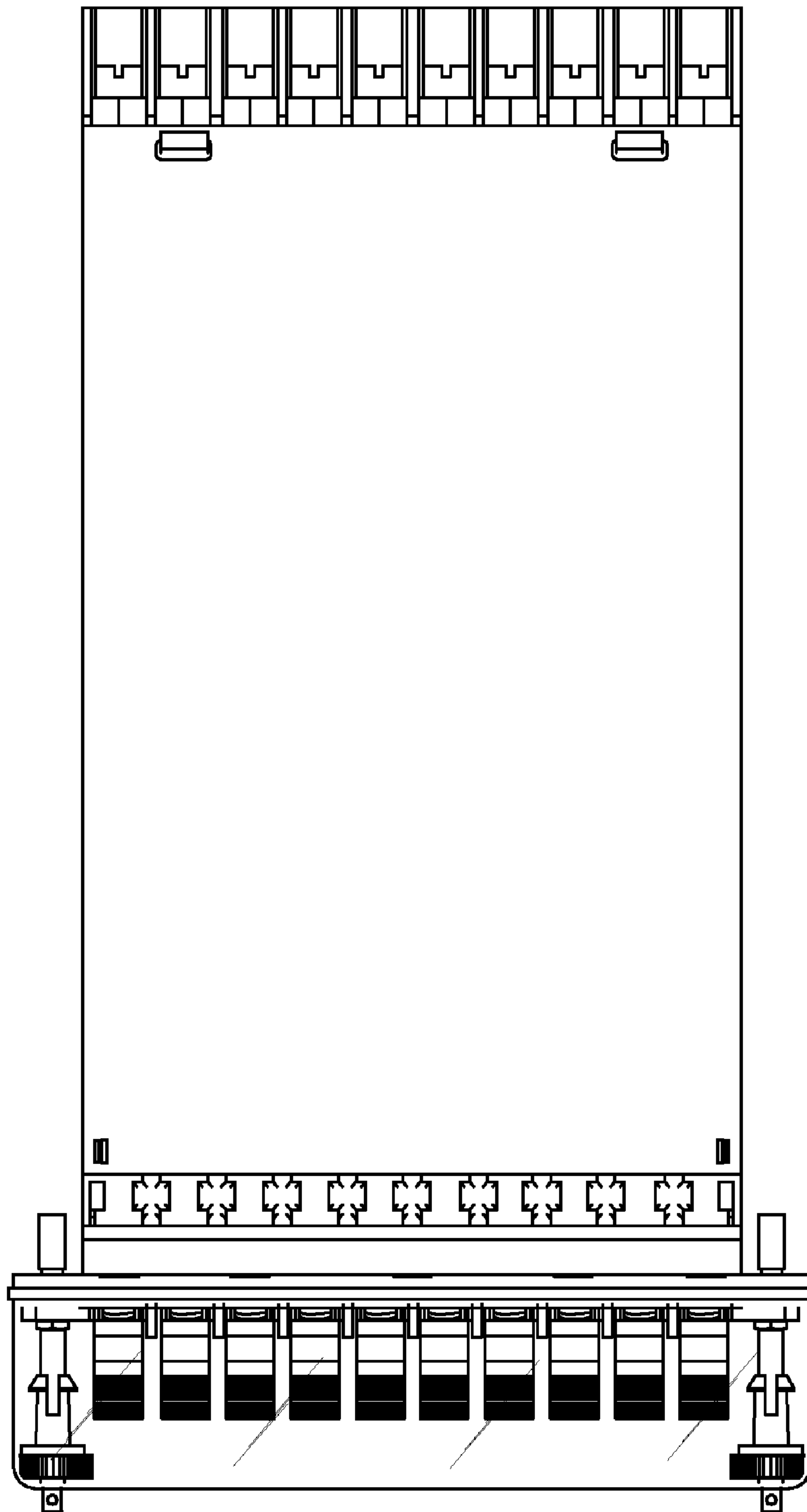


FIG.-6

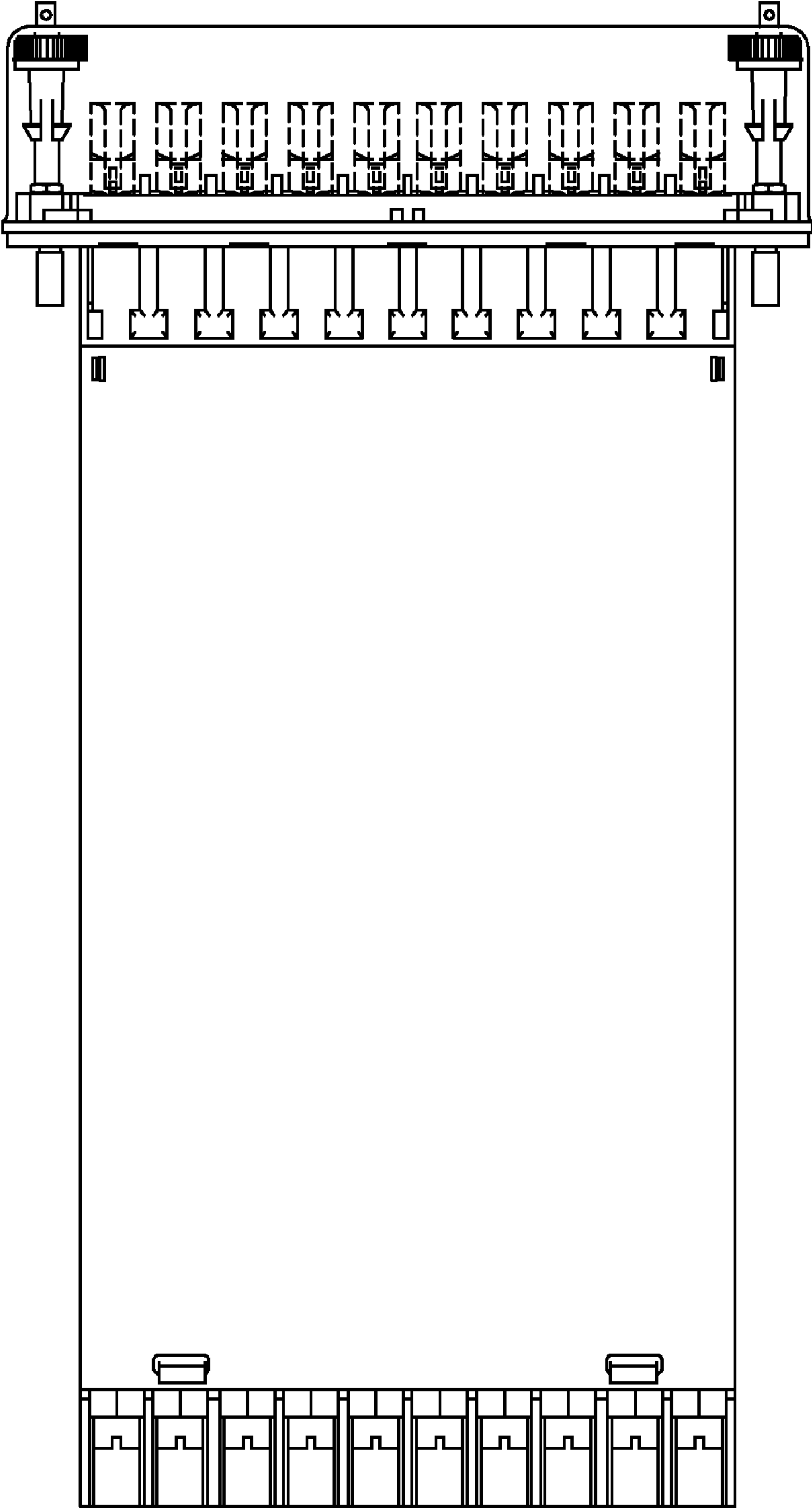


FIG.-7