



US00D585387S

(12) **United States Design Patent**
Fukano et al.

(10) **Patent No.:** **US D585,387 S**
(45) **Date of Patent:** **** Jan. 27, 2009**

(54) **INPUT APPARATUS OF ELECTRICAL ACTUATOR**

(75) Inventors: **Yoshihiro Fukano**, Moriya (JP);
Takanori Kochi, Tsukubamirai (JP)

(73) Assignee: **SMC Kabushiki Kaisha**, Tokyo (JP)

(**) Term: **14 Years**

(21) Appl. No.: **29/294,752**

(22) Filed: **Jan. 25, 2008**

(51) **LOC (9) Cl.** **13-03**

(52) **U.S. Cl.** **D13/168**

(58) **Field of Classification Search** D13/162,
D13/164, 168; D10/104, 106; D14/218,
D14/247; 340/825.22, 825.24, 825.25, 825.31,
340/825.36, 825.69, 825.72; 341/20, 22,
341/23, 34, 176; 345/156, 158, 169; 348/734;
455/92, 95, 100, 128, 151.1–151.4, 352–355;
463/39; 700/17, 19, 20, 65, 83

See application file for complete search history.

(56) **References Cited**

U.S. PATENT DOCUMENTS

D373,998 S * 9/1996 Tutt et al. D13/168
D402,966 S * 12/1998 Lim D13/168

D410,633 S * 6/1999 Tsui D13/168
D411,539 S * 6/1999 Nagai et al. D14/218
D465,206 S * 11/2002 Hasselmann et al. D13/168
D541,225 S * 4/2007 Katsuyama et al. D13/168
D572,205 S * 7/2008 Landerholm et al. D13/168

* cited by examiner

Primary Examiner—Selina Sikder

(74) *Attorney, Agent, or Firm*—Frishauf, Holtz, Goodman & Chick, P.C.

(57) **CLAIM**

The ornamental design for an input apparatus of electrical actuator, as shown.

DESCRIPTION

FIG. 1 is a top, front and left-side perspective view of an input apparatus of electrical actuator showing our new design;

FIG. 2 is a front view thereof;

FIG. 3 is a rear view thereof;

FIG. 4 is a top plan view thereof;

FIG. 5 is a bottom plan view thereof;

FIG. 6 is a left side view thereof; and,

FIG. 7 is a right side view thereof.

1 Claim, 7 Drawing Sheets

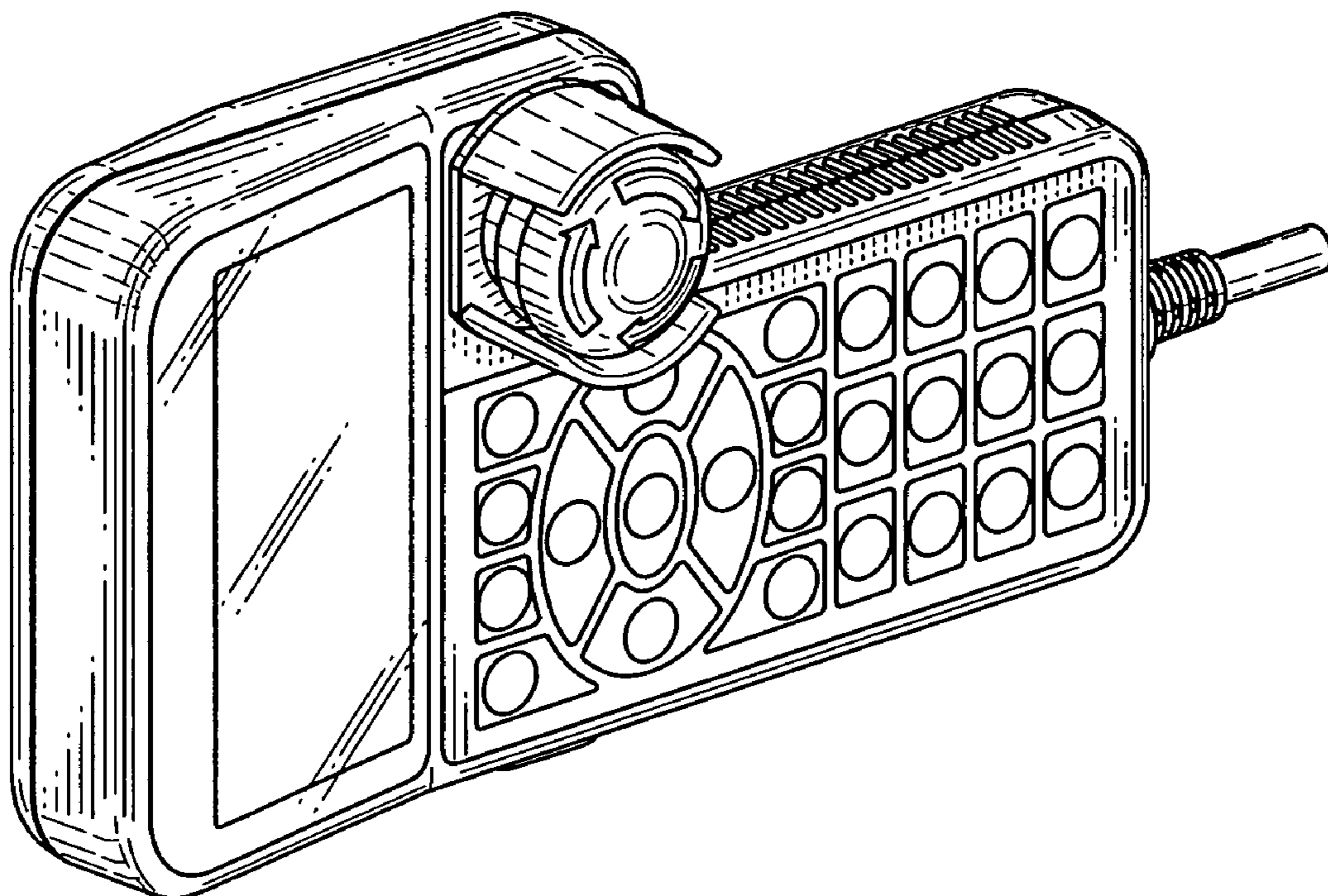


FIG. 1

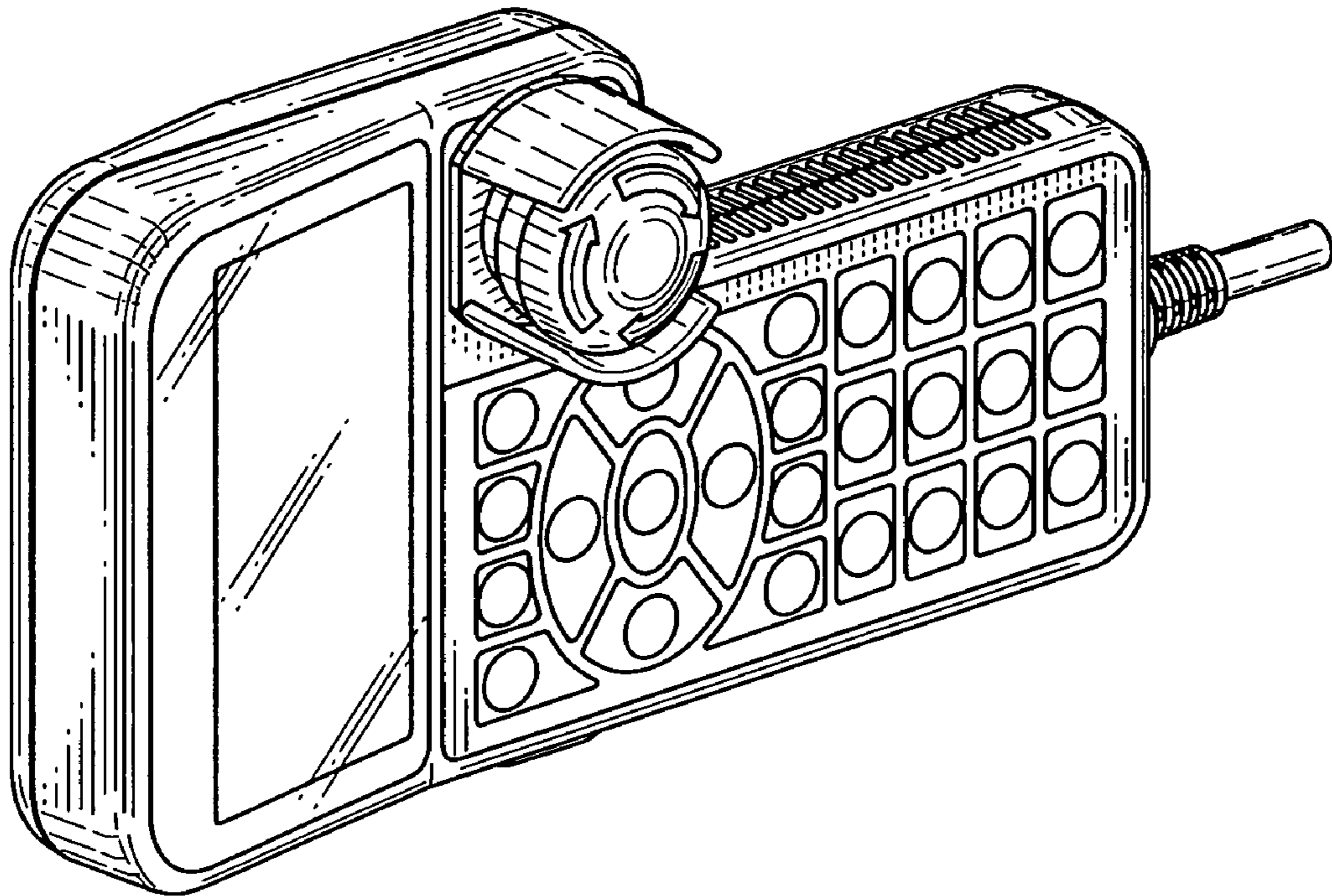


FIG. 2

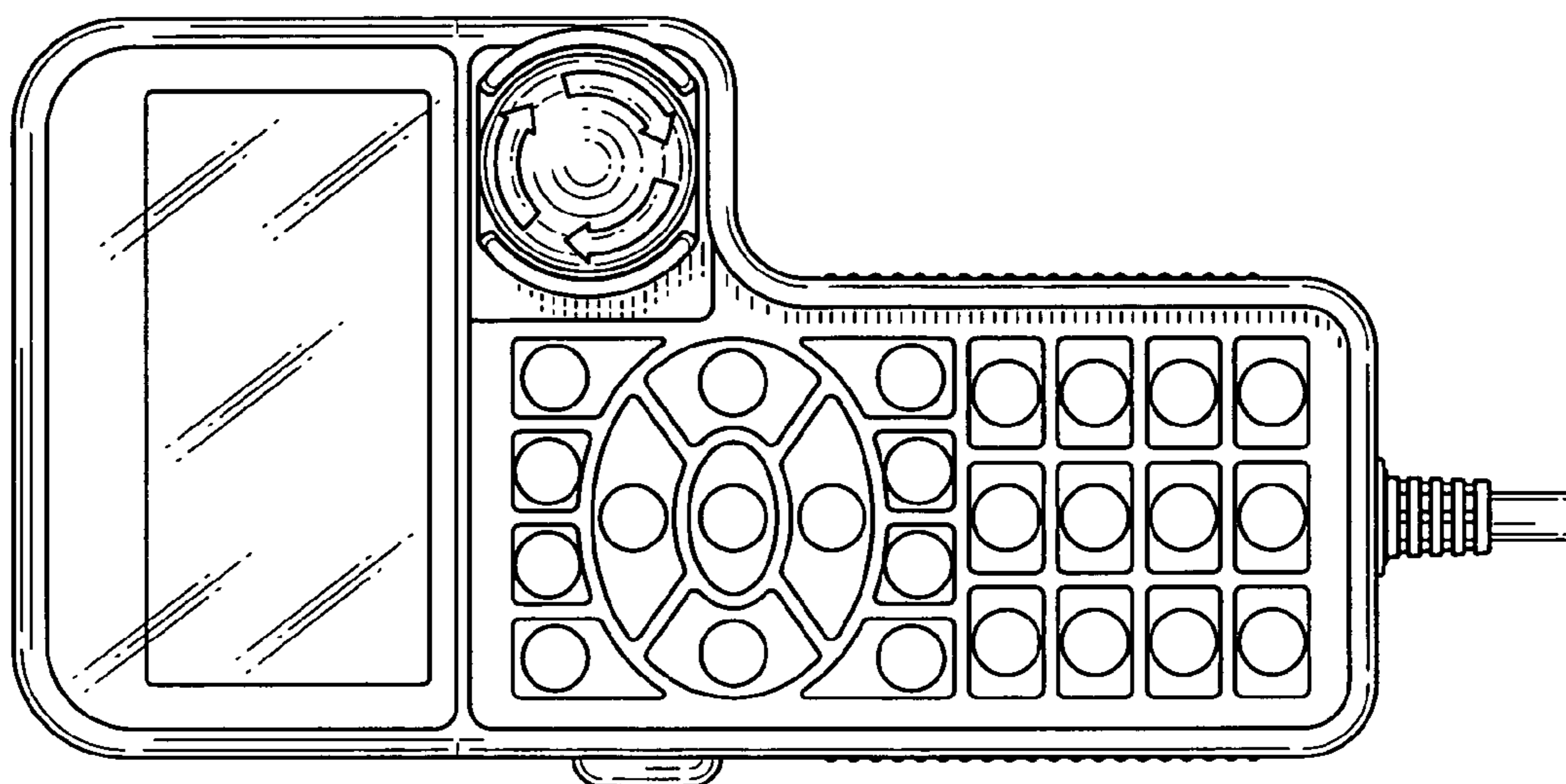


FIG. 3

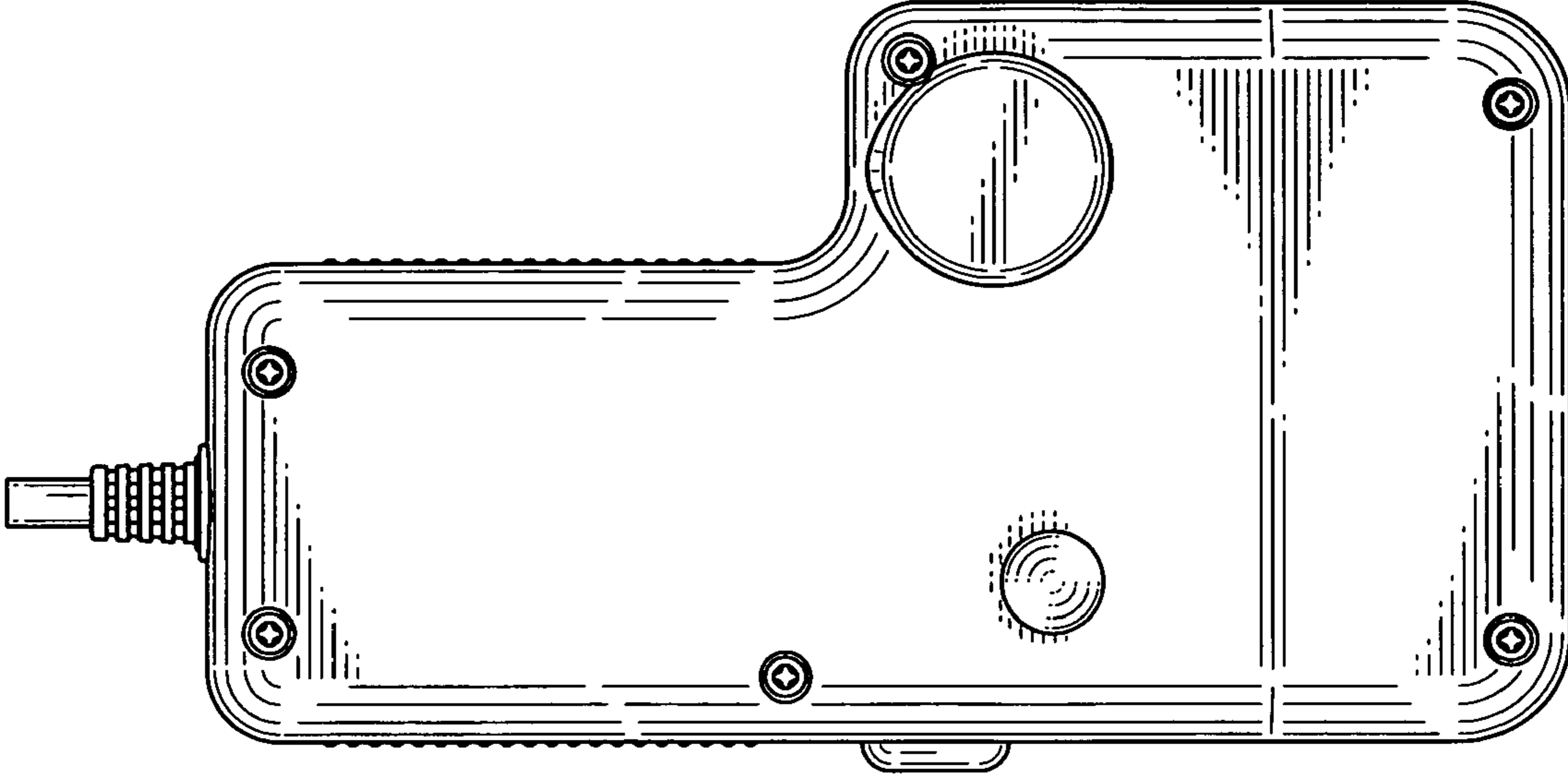


FIG. 4

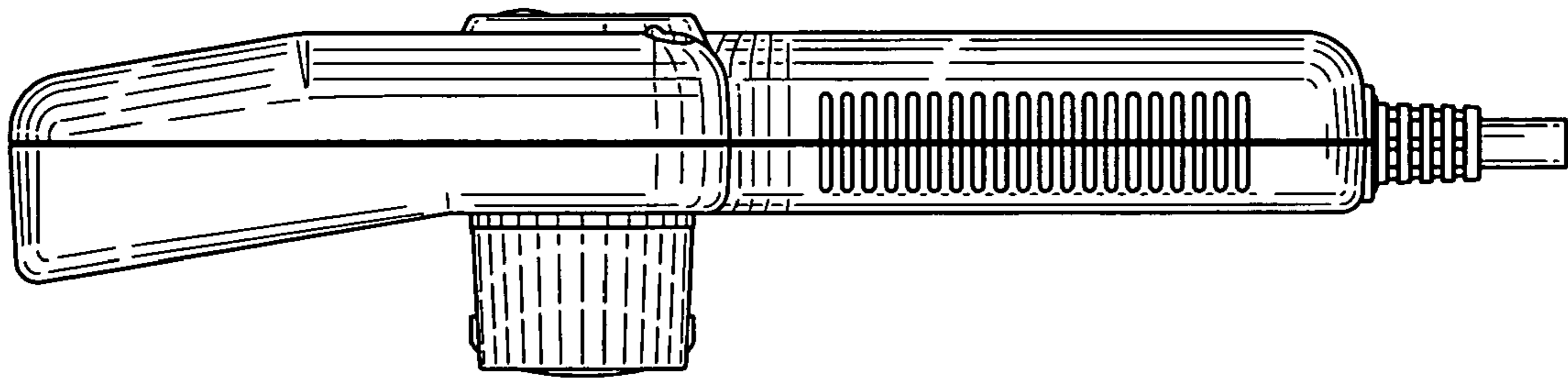


FIG. 5

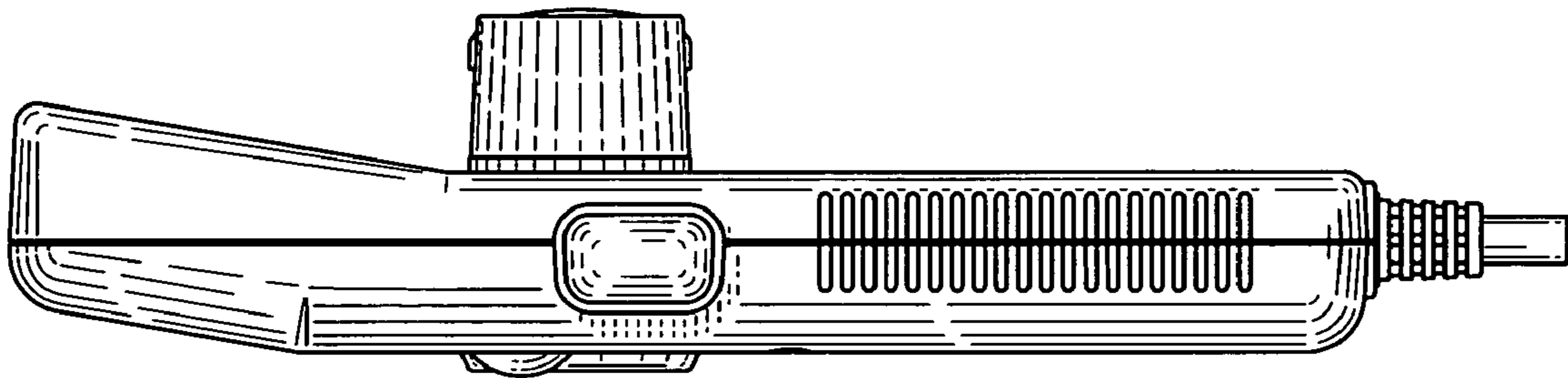


FIG. 6

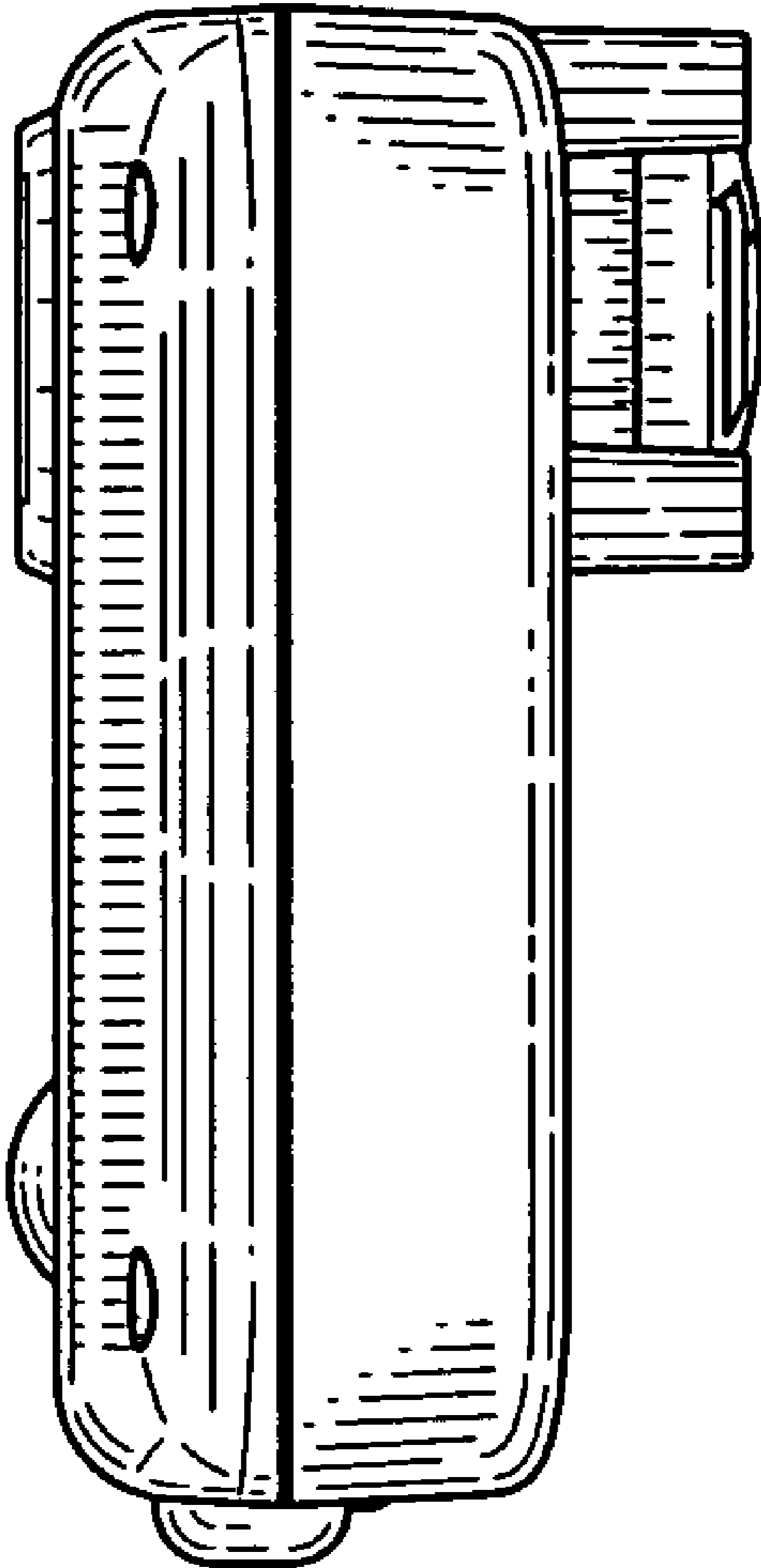


FIG. 7

