



US00D585386S

(12) **United States Design Patent**  
**Detemple et al.**

(10) **Patent No.:** **US D585,386 S**  
(45) **Date of Patent:** **\*\* Jan. 27, 2009**

(54) **ELECTRICAL DEVICE**

D498,464 S 11/2004 Kim  
D498,465 S 11/2004 Kim

(75) Inventors: **Thomas Detemple**, Planegg (DE); **Josef Graf**, Hahnbach (DE); **Peter Trautwein**, München (DE)

(Continued)

(73) Assignee: **Siemens Aktiengesellschaft**, Munich (DE)

FOREIGN PATENT DOCUMENTS

DE M8803357.0 8/1989

(\*\*) Term: **14 Years**

(Continued)

(21) Appl. No.: **29/286,039**

*Primary Examiner*—Daniel D Bui  
*Assistant Examiner*—Thomas J Johannes

(22) Filed: **Apr. 20, 2007**

(57) **CLAIM**

(30) **Foreign Application Priority Data**

We claim the ornamental design for an electrical device, as shown and described.

Mar. 5, 2007 (EM) ..... 000690037

(51) **LOC (9) Cl.** ..... **13-03**

**DESCRIPTION**

(52) **U.S. Cl.** ..... **D13/160**

(58) **Field of Classification Search** ..... D13/137.3,  
D13/159, 160, 162, 178, 184; 200/17 R,  
200/50.02, 50.26, 144 R, 147 R, 244, 304,  
200/307, 308, 318, 330, 400, 401, 552; 218/157;  
335/13, 16, 20, 35, 172, 202, 167; 361/93.3,  
361/115, 173, 652, 673

FIG. 1 is a front view of an electrical device showing a first embodiment of our new design.

FIG. 2 is a rear view thereof.

FIG. 3 is a top view thereof.

FIG. 4 is a bottom view thereof.

FIG. 5 is a right side view thereof.

FIG. 6 is a left side view thereof.

FIG. 7 is a perspective view thereof.

FIG. 8 is a front view of an electrical device of showing a second embodiment of our new design.

FIG. 9 is a rear view thereof.

FIG. 10 is a top view thereof.

FIG. 11 is a bottom view thereof.

FIG. 12 is a right side view thereof.

FIG. 13 is a left side view thereof; and,

FIG. 14 is a perspective view thereof.

See application file for complete search history.

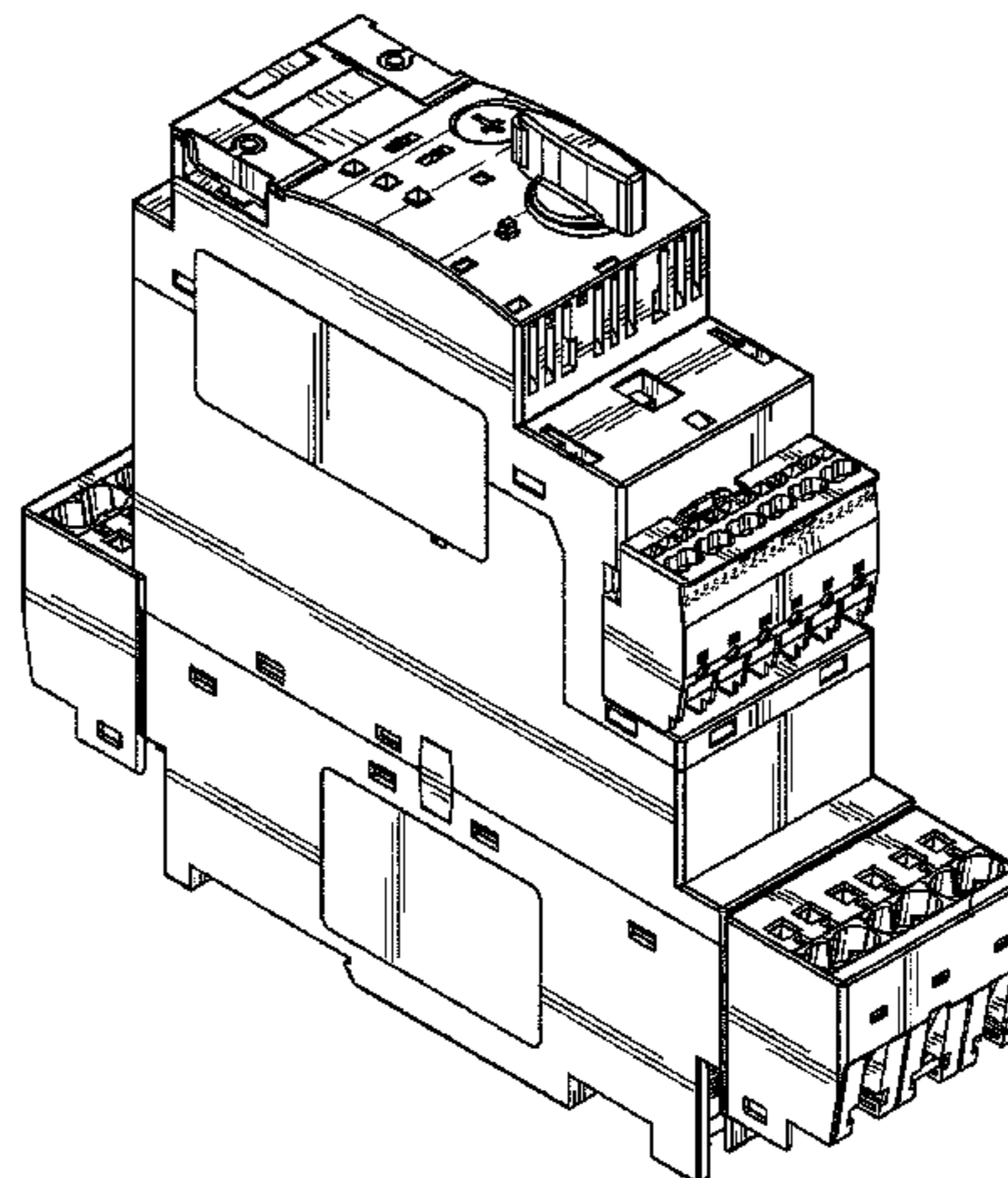
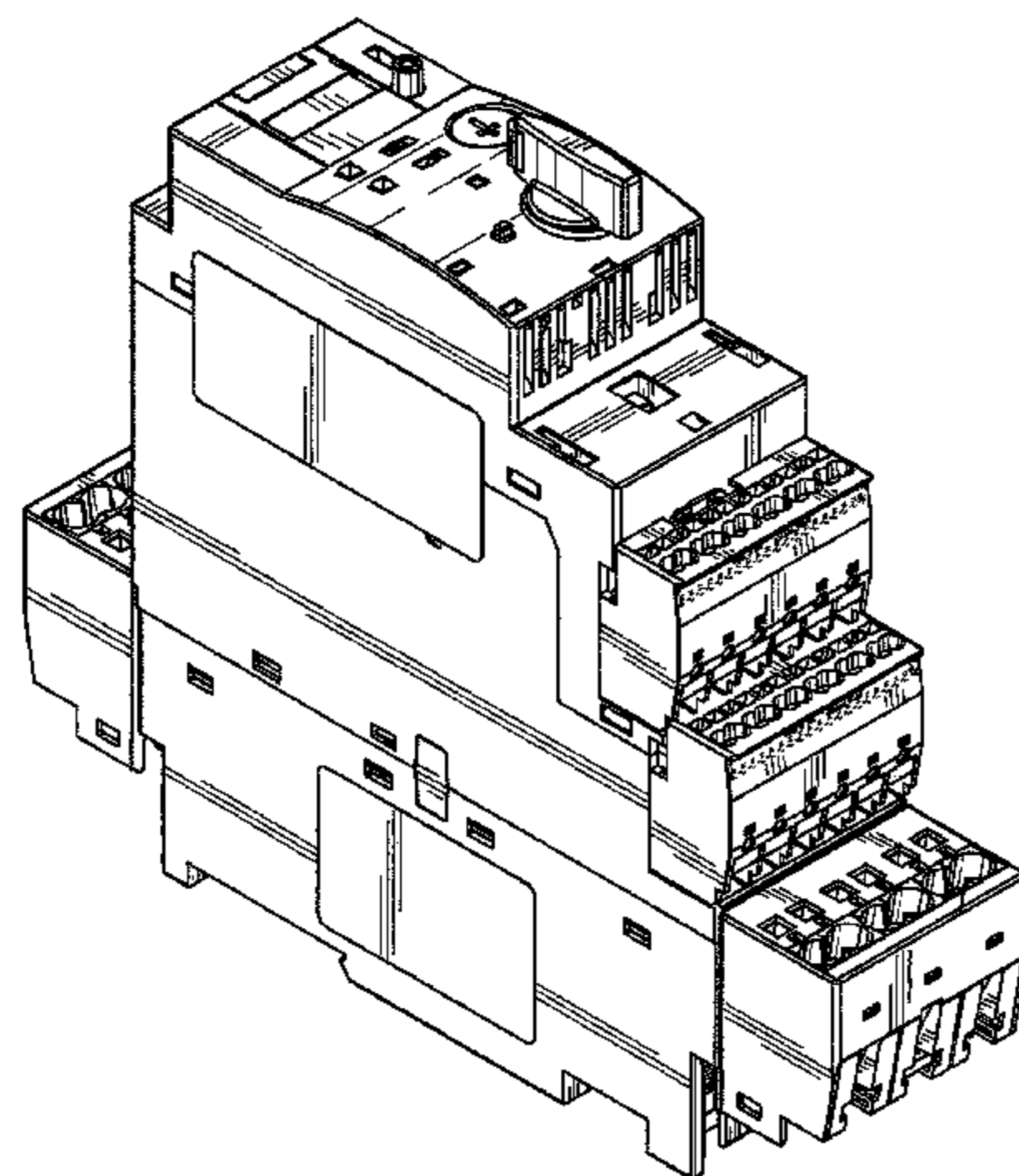
The broken line showing in the figure drawings is included for illustrative purposes only and forms no part of the claimed design.

(56) **References Cited**

U.S. PATENT DOCUMENTS

D270,530 S 9/1983 Bowden, Jr. et al.  
D274,720 S 7/1984 Hannich et al.  
D300,315 S 3/1989 Thomas  
D315,333 S 3/1991 Barbier et al.  
D317,906 S 7/1991 Winter et al.  
D318,460 S 7/1991 Heath et al.  
D325,725 S 4/1992 Yamagata et al.  
D334,174 S 3/1993 Hosogai et al.  
D359,948 S 7/1995 Merlin  
D367,041 S 2/1996 Alfaro et al.  
D406,262 S 3/1999 Gonser  
D429,690 S 8/2000 Fristedt  
D442,146 S 5/2001 Greenberg et al.  
D498,212 S 11/2004 Kim

**1 Claim, 14 Drawing Sheets**



# US D585,386 S

Page 2

## U.S. PATENT DOCUMENTS

D499,701 S	12/2004	Kim
D506,185 S	6/2005	Kim
D511,325 S	11/2005	Itano et al.
D519,462 S	4/2006	Kudo
D526,276 S	8/2006	Shiraishi et al.
D534,124 S	12/2006	Taguchi
D535,620 S	1/2007	Mace et al.
D535,626 S	1/2007	Azzola et al.

## FOREIGN PATENT DOCUMENTS

DE	M9102519.2	2/1992
DE	M9105956.9	2/1992
DE	M9208145.2	4/1993
DE	M9400612.1	7/1994
DE	M9406333.8	12/1994
DE	M9410125.6	7/1995
DE	M9503956.2	3/1996
DE	M9506891.0	6/1996
DE	M9601629.9	7/1996
DE	M9607460.4	3/1997
DE	M9607461.2	3/1997
DE	M9703338.3	9/1997
DE	M9803323.9	12/1998
DE	49908587.6	2/2000
DE	49910815.9	5/2000
DE	40006777.3	12/2000
DE	40012013.5	5/2001
DE	40100845.2	7/2001
DE	40104514.5	11/2001
DE	40203672.7	10/2002
DE	40208043.2	2/2003
DE	40208724.0	2/2003
DE	40208419.5	3/2003
DE	40303727.6	9/2003
DE	40304637.8	10/2003
DE	40304638.6	10/2003
DE	40306783.9	2/2004
DE	40402562.5	10/2004
DE	40402564.1	10/2004
DE	40402563.3	11/2004
DE	40502261.1	8/2005
DE	40502656.0	8/2005
DE	40501379.5	10/2005
DE	40505546.3	4/2006
DE	40600175.8	5/2006
DE	40602249.6	9/2006
DE	40605979.9	5/2007
EP	000010301-0001	7/2003
EP	000010301-0002	7/2003
EP	000108428-0001	3/2004
EP	000111208-0001	3/2004
EP	000123476-0001	4/2004
EP	000142195-0001	6/2004
EP	000203468-0005	10/2004
EP	000341169-0014	7/2005
EP	000341169-0015	7/2005

EP	000341169-0016	7/2005
EP	000341169-0017	7/2005
EP	000345517-0001	7/2005
EP	000345517-0002	7/2005
EP	000345517-0003	7/2005
EP	000345517-0004	7/2005
EP	000345517-0005	7/2005
EP	000405550-0001	11/2005
EP	000262902-0001	12/2005
EP	000424080-0006	12/2005
EP	000424080-0007	12/2005
EP	000470851-0001	2/2006
EP	000515374-0001	6/2006
EP	000515374-0002	6/2006
EP	000515374-0003	6/2006
EP	000521901-0001	6/2006
EP	000521901-0002	6/2006
EP	000534508-0001	7/2006
EP	000547633-0001	8/2006
EP	000646310-0001	1/2007
EP	000646310-0002	1/2007
EP	000646310-0003	1/2007
EP	000646310-0004	1/2007
EP	000646310-0005	1/2007
EP	000646310-0006	1/2007
EP	000646310-0007	1/2007
EP	000646310-0008	1/2007
EP	000646310-0010	1/2007
EP	000646310-0011	1/2007
EP	000646310-00090	1/2007
EP	000684949-0001	3/2007
EP	000684949-0002	3/2007
EP	000684949-0003	3/2007
EP	000684949-0004	3/2007
EP	000684949-0005	3/2007
EP	000684949-0006	3/2007
WO	DM/008100	1/1987
WO	DM/025819	4/1993
WO	DM/034581	11/1995
WO	DM/040859	7/1997
WO	DM/043878	4/1998
WO	DM/051120	5/2000
WO	DM/051954	8/2000
WO	DM/052336	9/2000
WO	DM/052337	9/2000
WO	DM/053832	1/2001
WO	DM/054109	2/2001
WO	DM/054992	3/2001
WO	DM/055273	4/2001
WO	DM/058393	2/2002
WO	DM/061377	10/2002
WO	DM/062454	2/2003
WO	DM/062457	2/2003
WO	DM/062779	3/2003
WO	DM/064134	9/2003
WO	DM/064335	10/2003
WO	DM/064393	11/2003
WO	DM/067031	3/2006

FIG 1

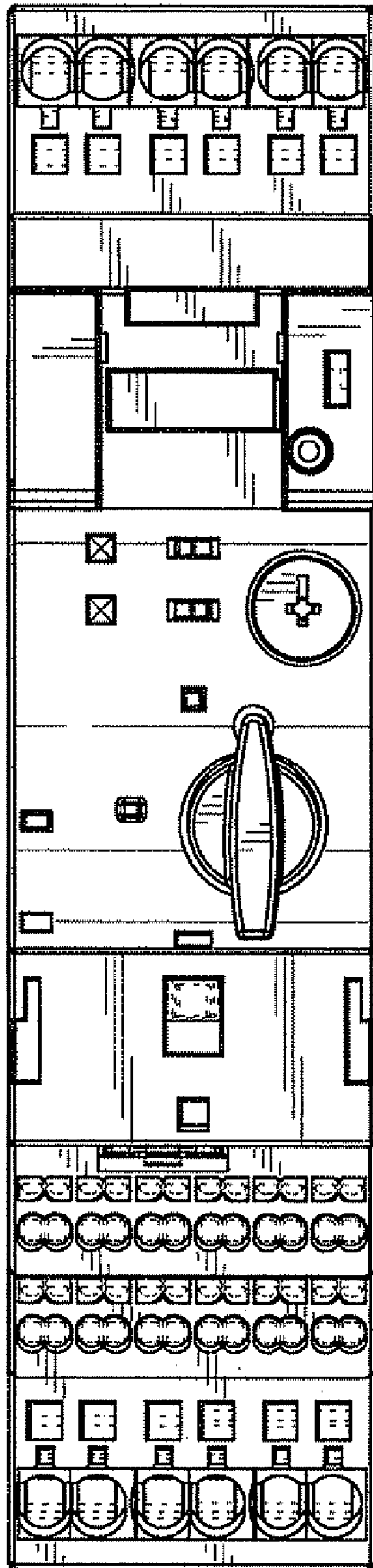


FIG 2

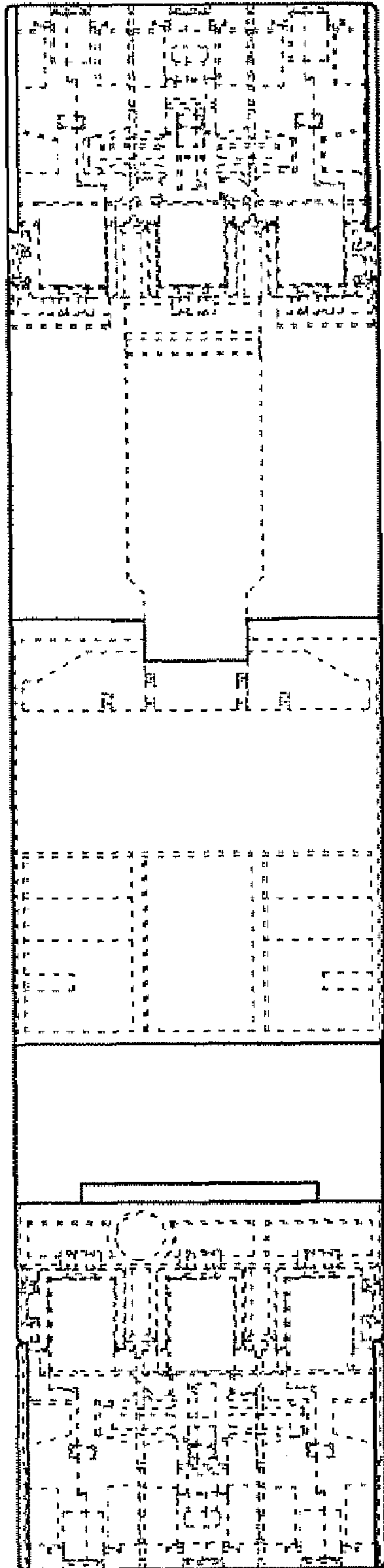


FIG 3

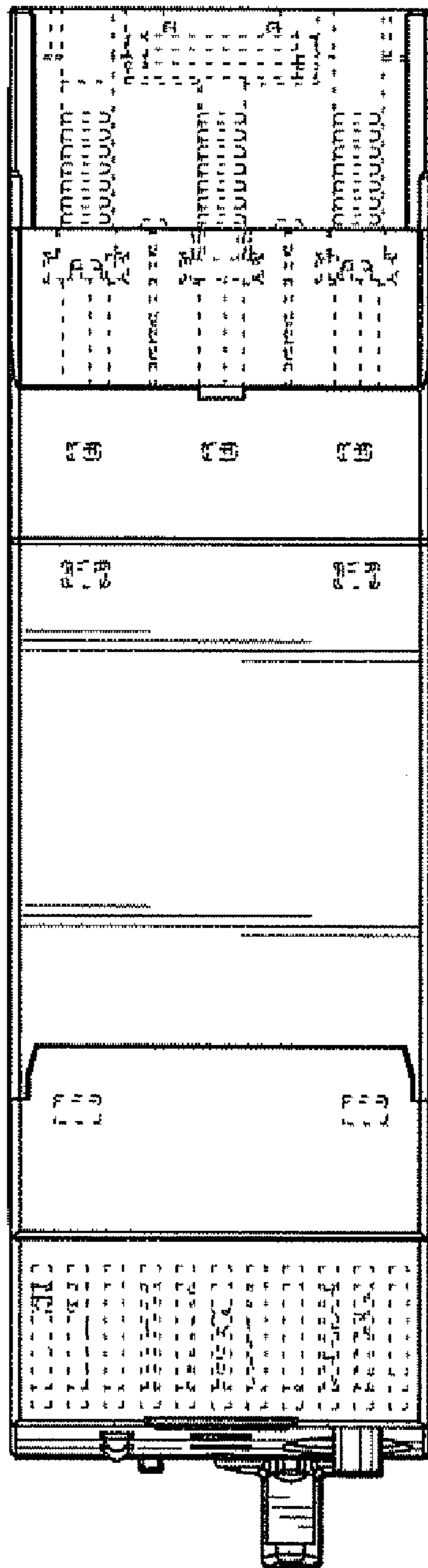


FIG 4

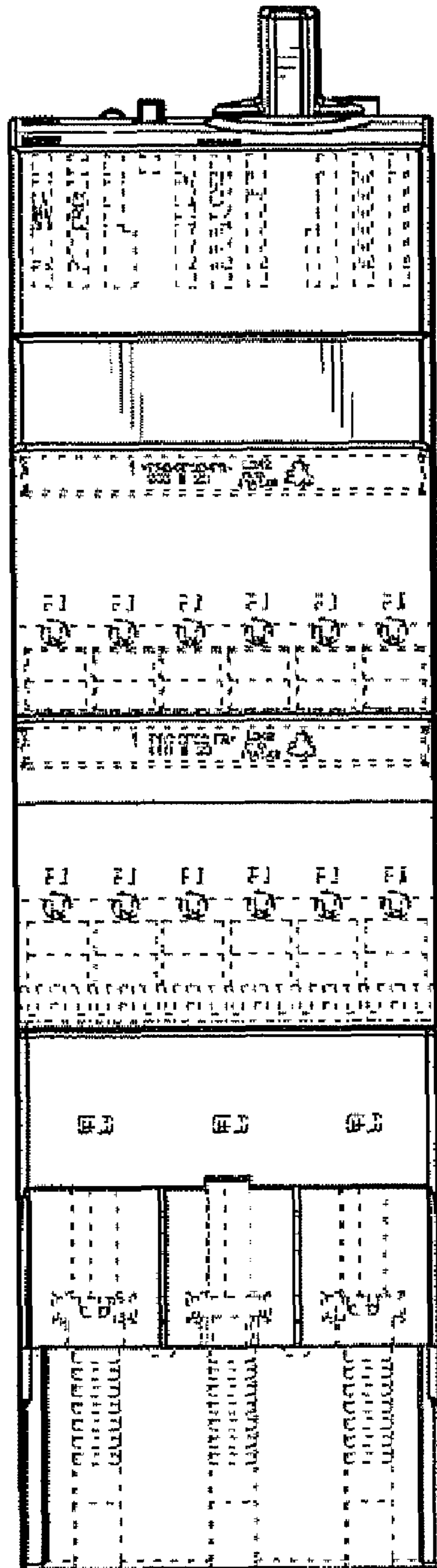


FIG 5

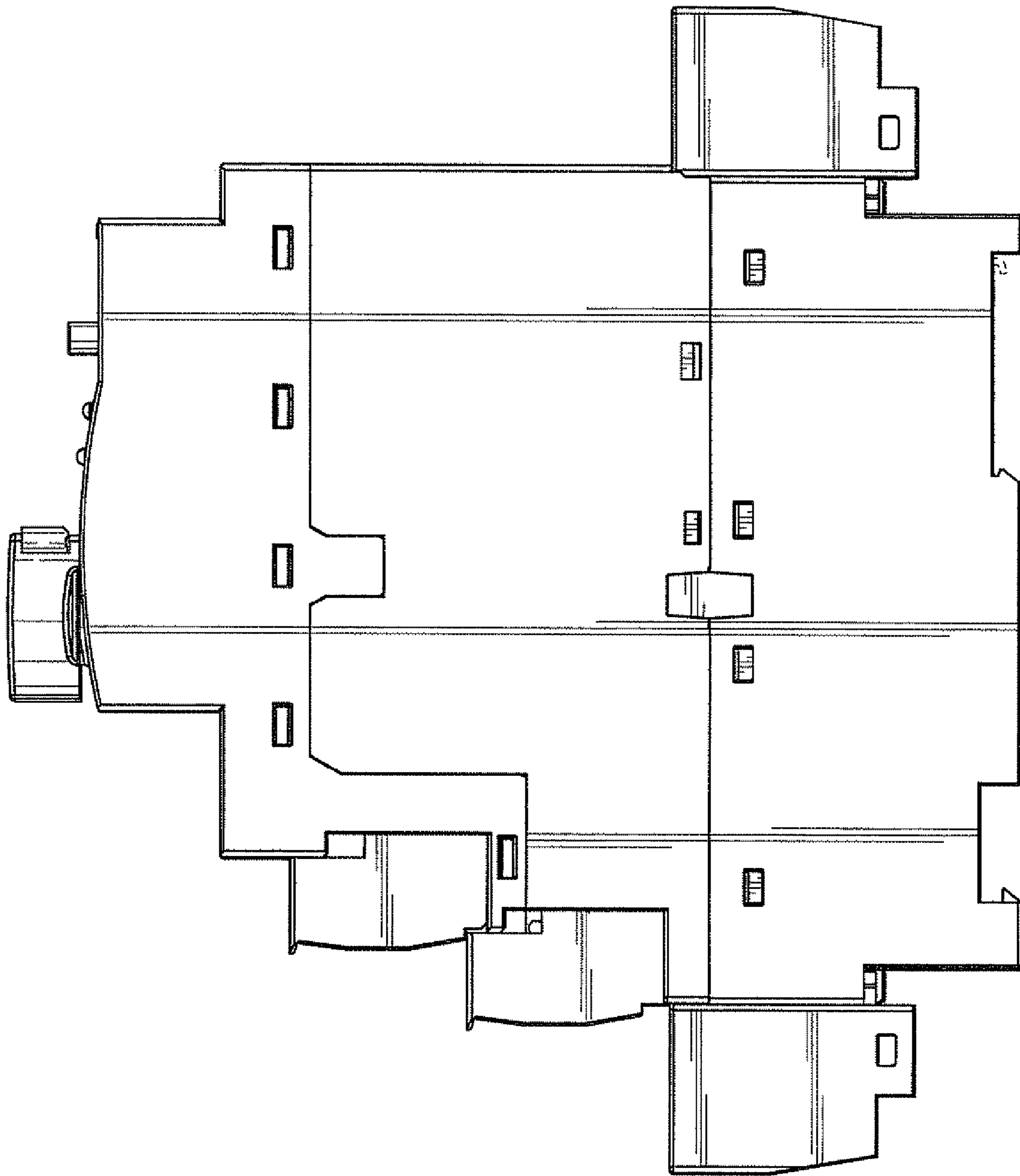


FIG 6

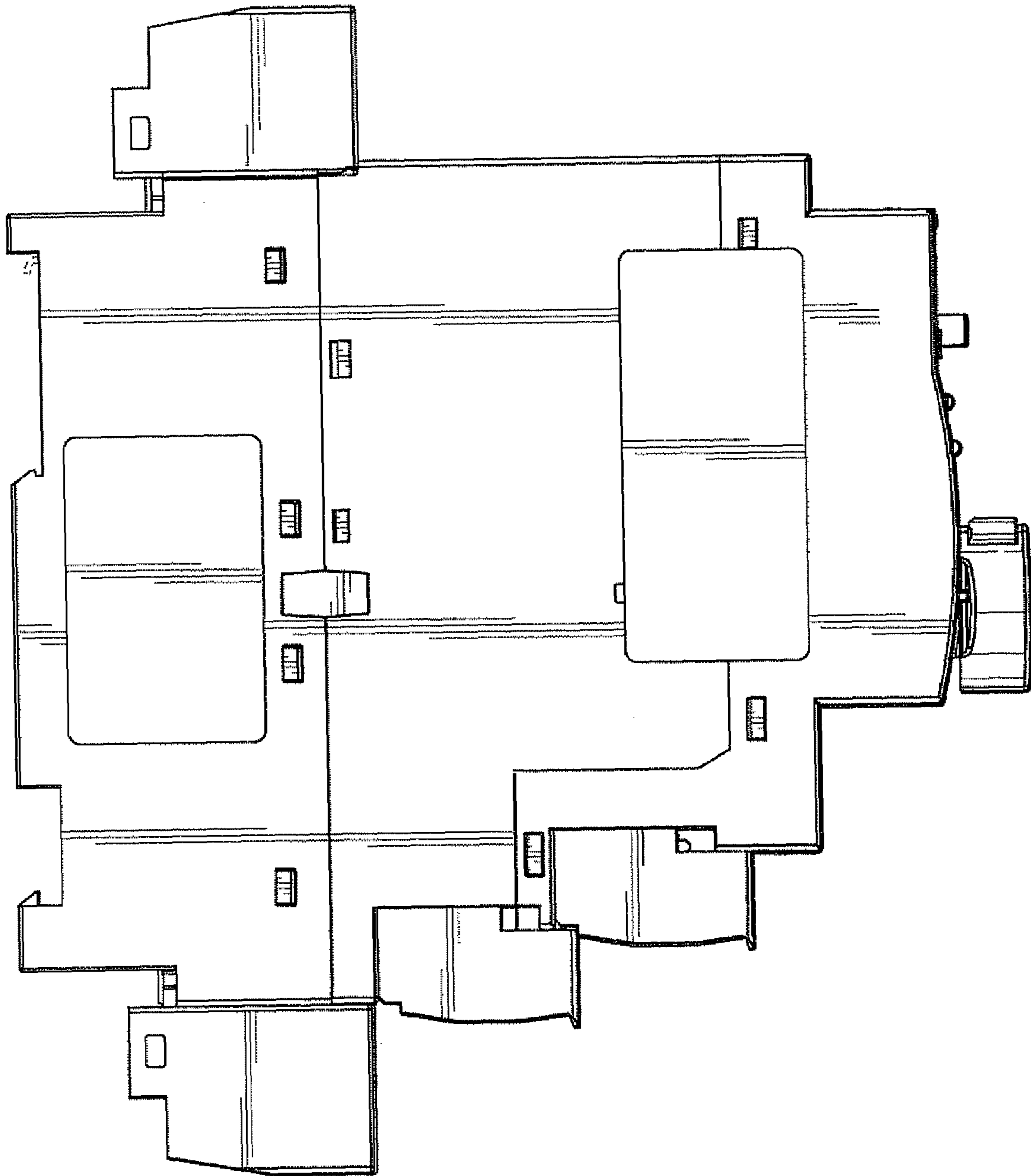




FIG 7

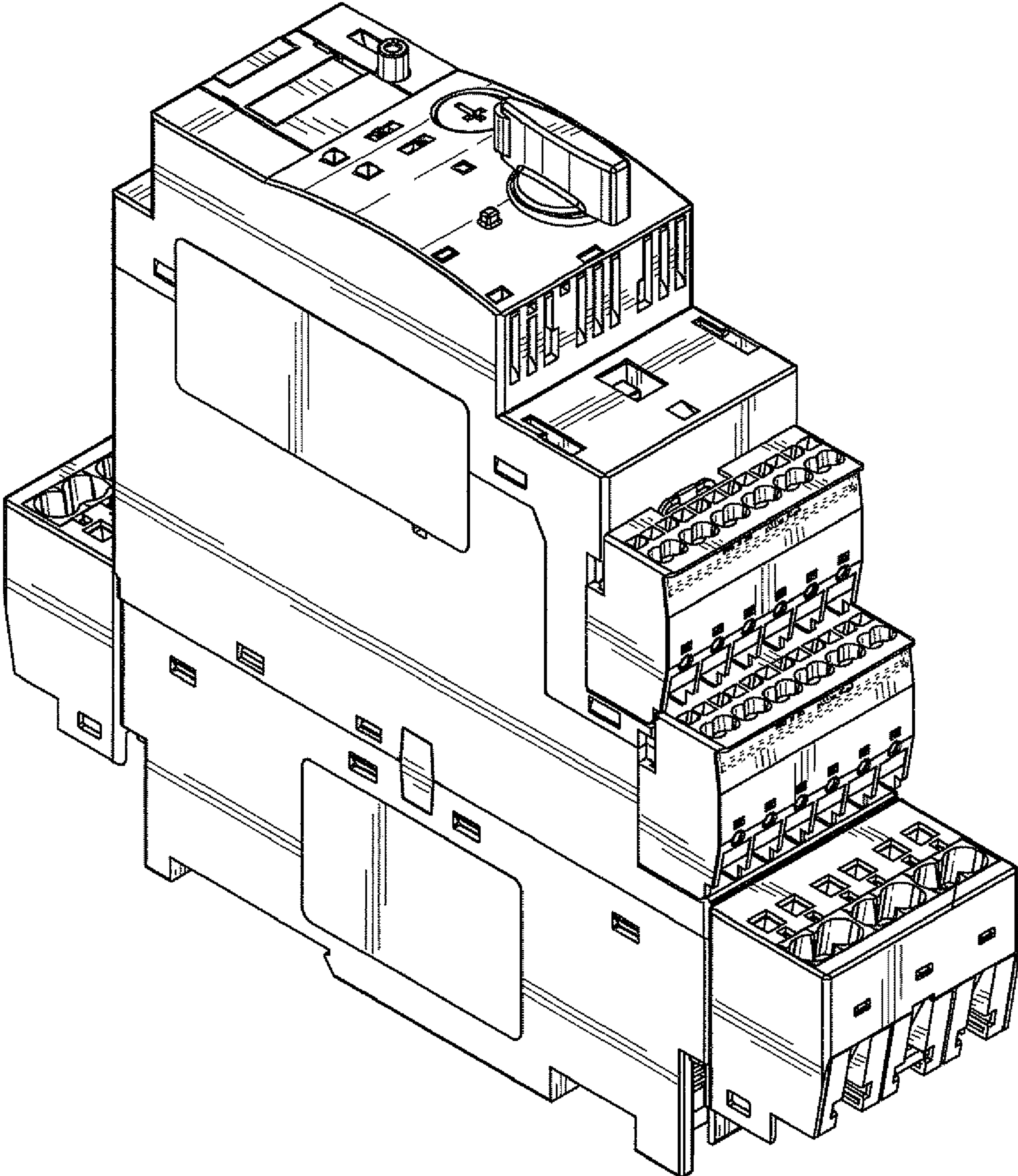


FIG 8

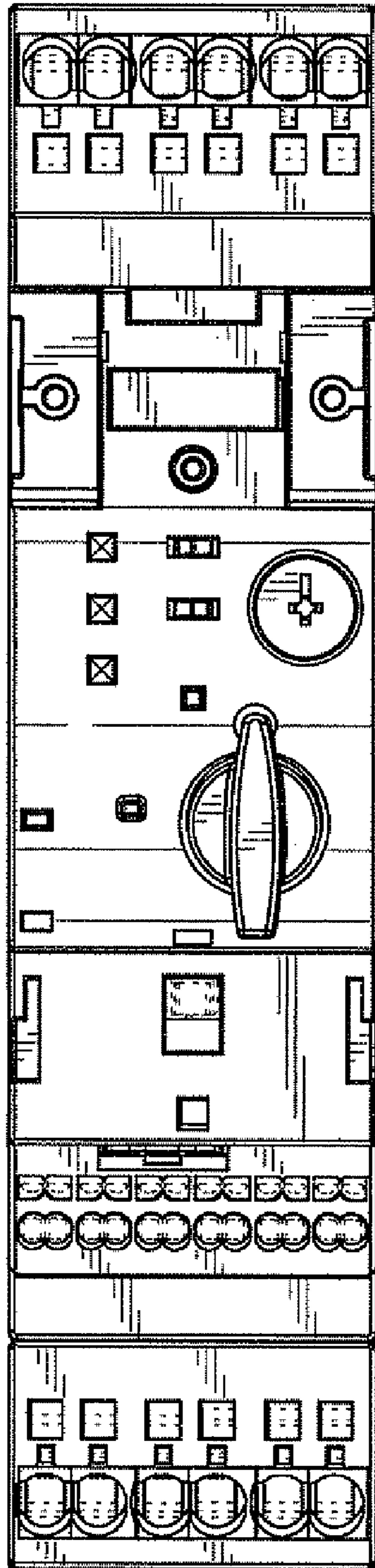


FIG 9

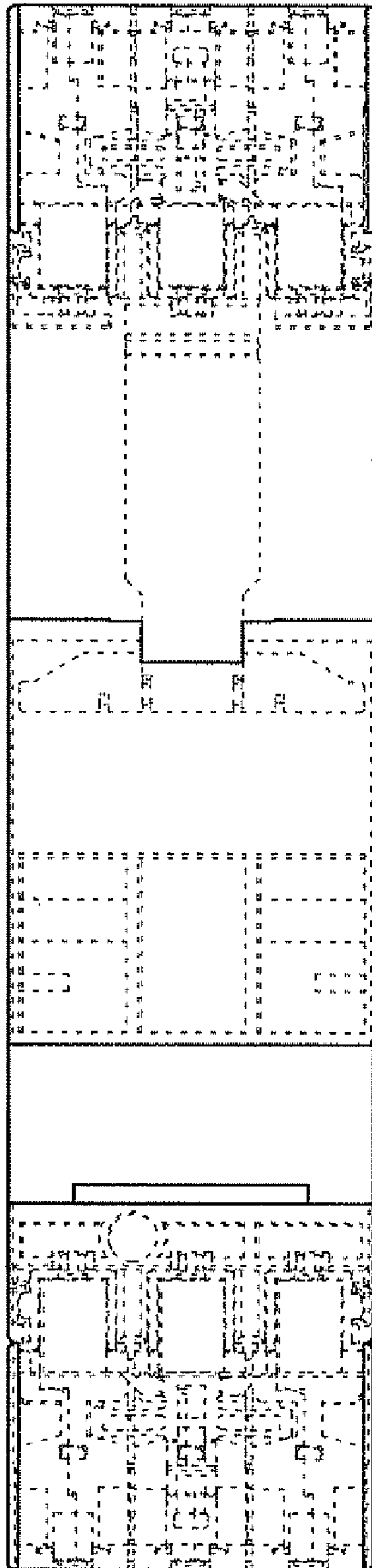


FIG 10

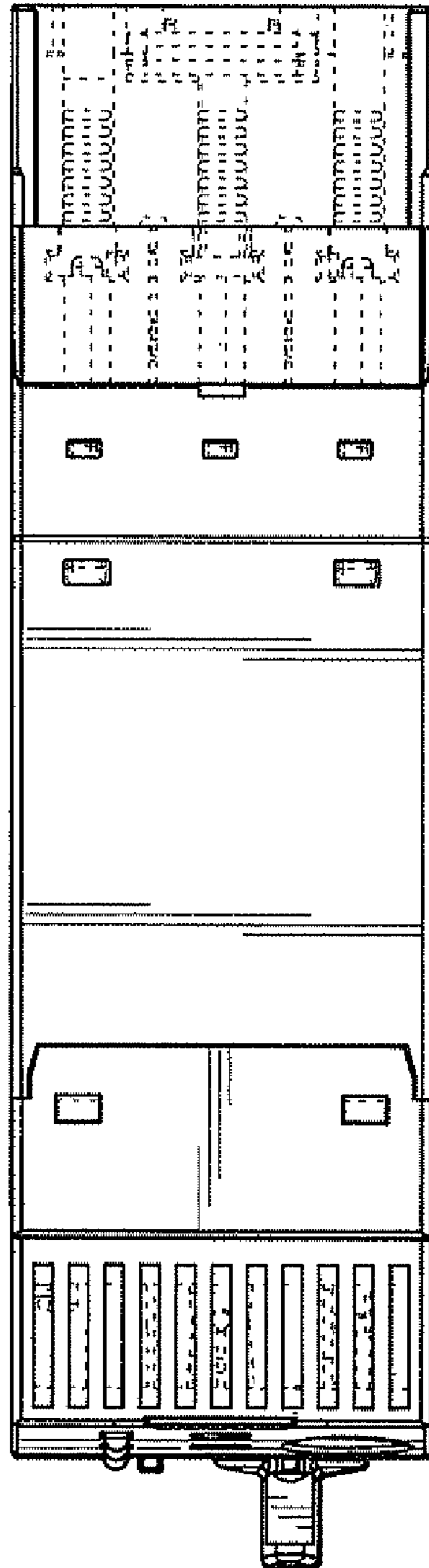


FIG 11

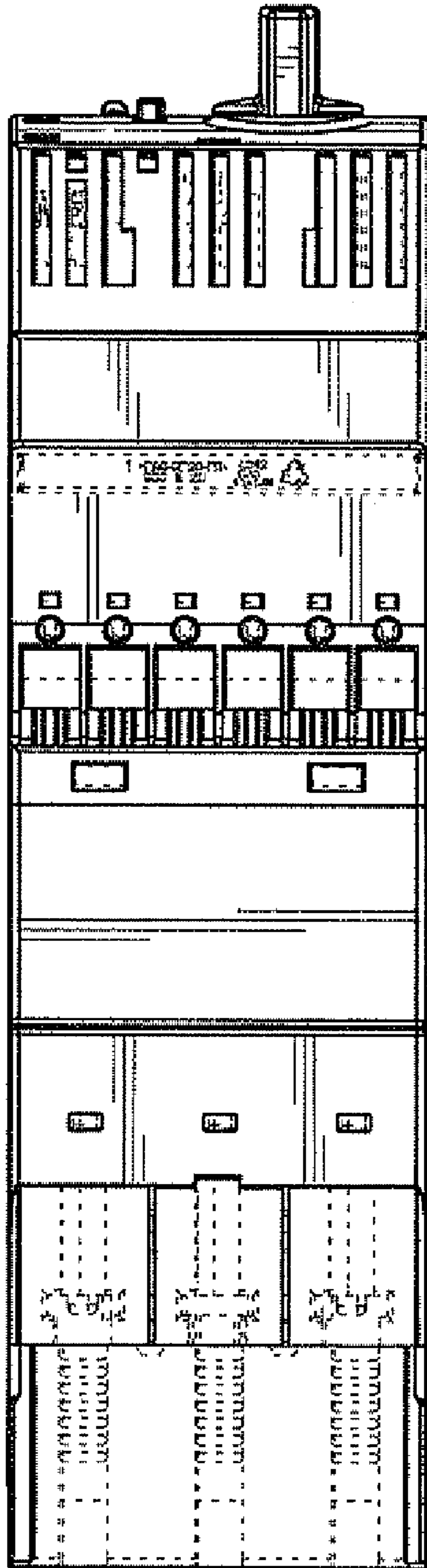


FIG 12

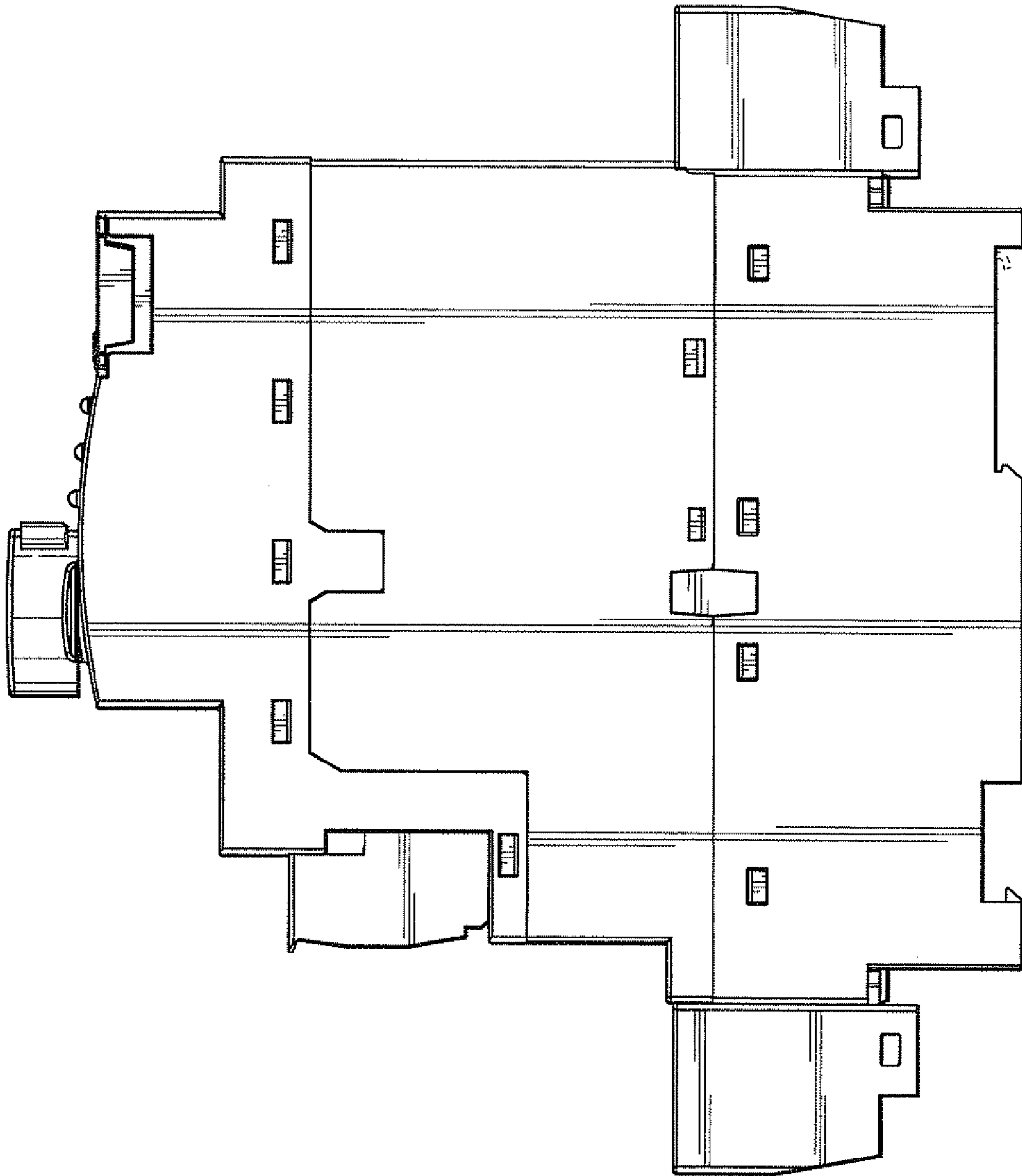


FIG 13

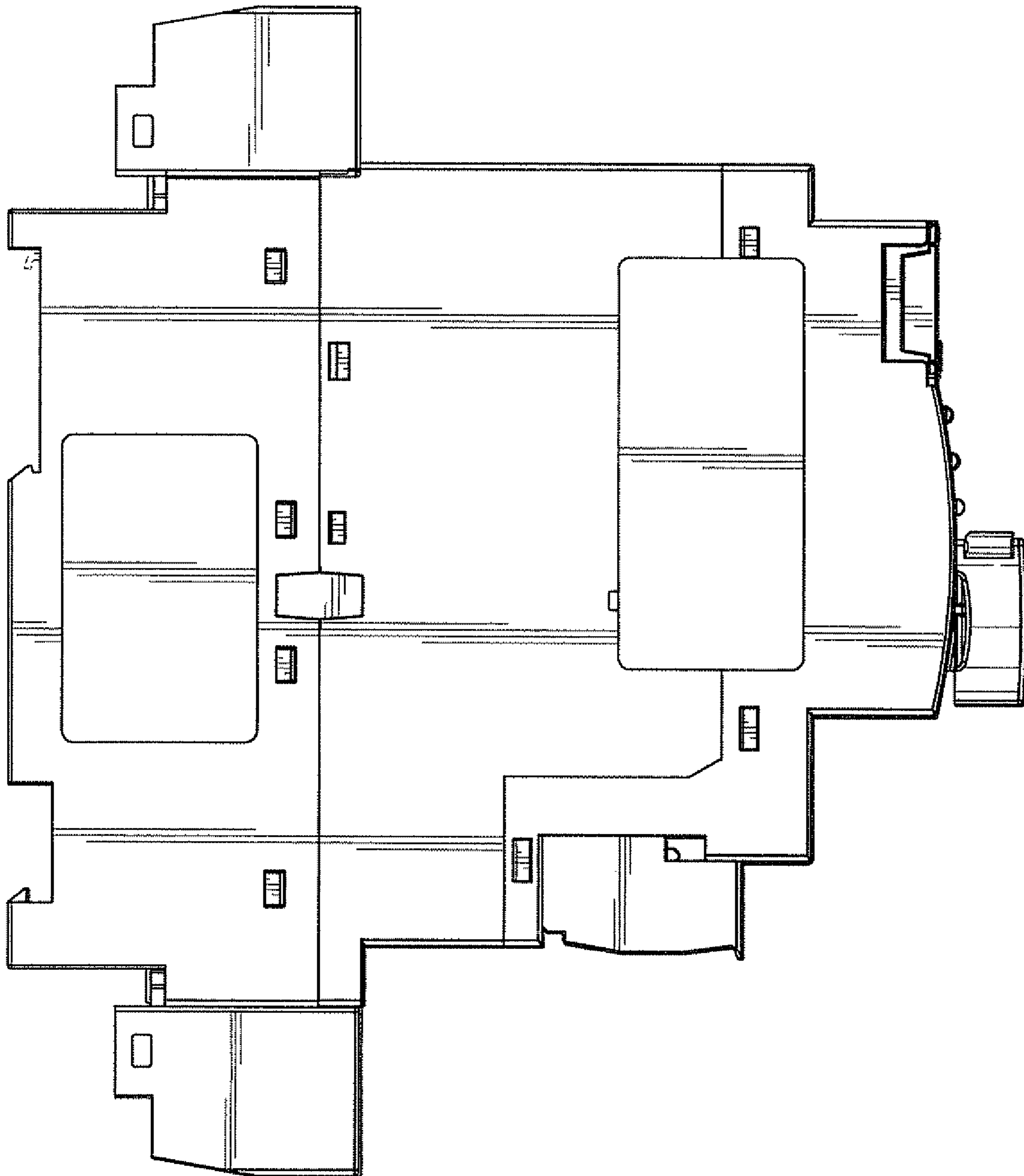


FIG 14

