



US00D585383S

(12) **United States Design Patent**
Sieff

(10) **Patent No.:** **US D585,383 S**

(45) **Date of Patent:** **** Jan. 27, 2009**

(54) **SPARK PLUG WIRE**

(75) **Inventor:** **Bill Sieff**, North Haven, CT (US)

(73) **Assignee:** **Moroso Performance Products, Inc.**,
Guilford, CT (US)

(**) **Term:** **14 Years**

(21) **Appl. No.:** **29/259,733**

(22) **Filed:** **May 15, 2006**

(51) **LOC (9) Cl.** **13-03**

(52) **U.S. Cl.** **D13/153**

(58) **Field of Classification Search** D13/153;
174/71 R, 88 R, 95, 117 F, 117 R, 504 A
See application file for complete search history.

(56) **References Cited**

U.S. PATENT DOCUMENTS

D224,786 S *	9/1972	Shlesinger, Jr.	D13/53
D376,786 S *	12/1996	Binzel, Jr.	D13/153
6,288,337 B1 *	9/2001	Sato et al.	174/71 R
D494,935 S *	8/2004	Milan	D13/153
D512,025 S *	11/2005	Frederick et al.	D13/153

* cited by examiner

Primary Examiner—Brian N Vinson

(74) *Attorney, Agent, or Firm*—St. Onge Steward Johnston &
Reens LLC

(57) **CLAIM**

The ornamental design for a spark plug wire, as shown and described.

DESCRIPTION

FIG. 1 is a front perspective view of a spark plug wire showing my new design;

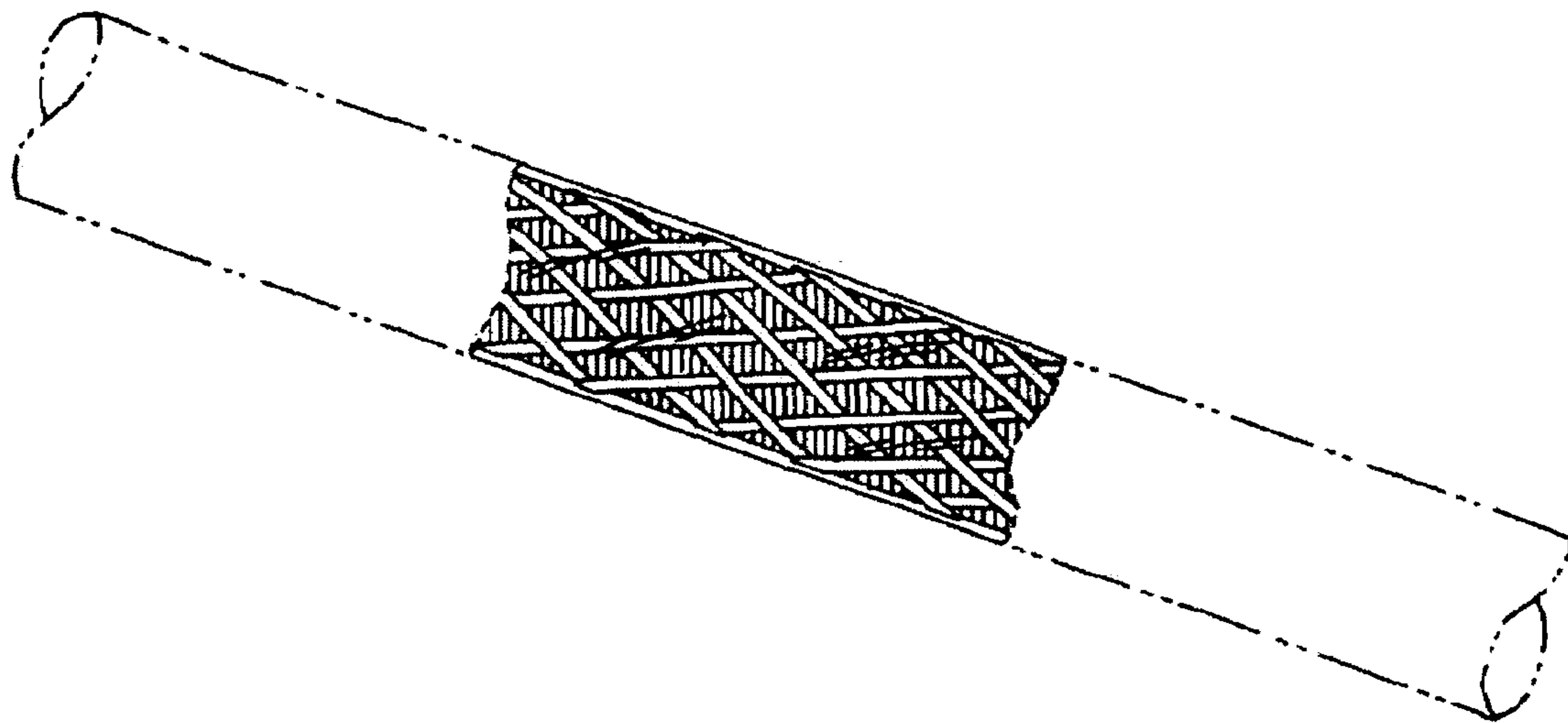
FIG. 2 is an enlarged side elevational view thereof;

FIG. 3 is an enlarged cross-sectional view taken along line 3—3 of FIG. 2 thereof; and,

FIG. 4 is an additional enlarged side elevational view thereof.

The portion of the wire shown in broken lines is understood to form no part of the claimed design, and the broken-line edge of the patterned portion is understood to form an unclaimed boundary of the claimed design.

1 Claim, 2 Drawing Sheets



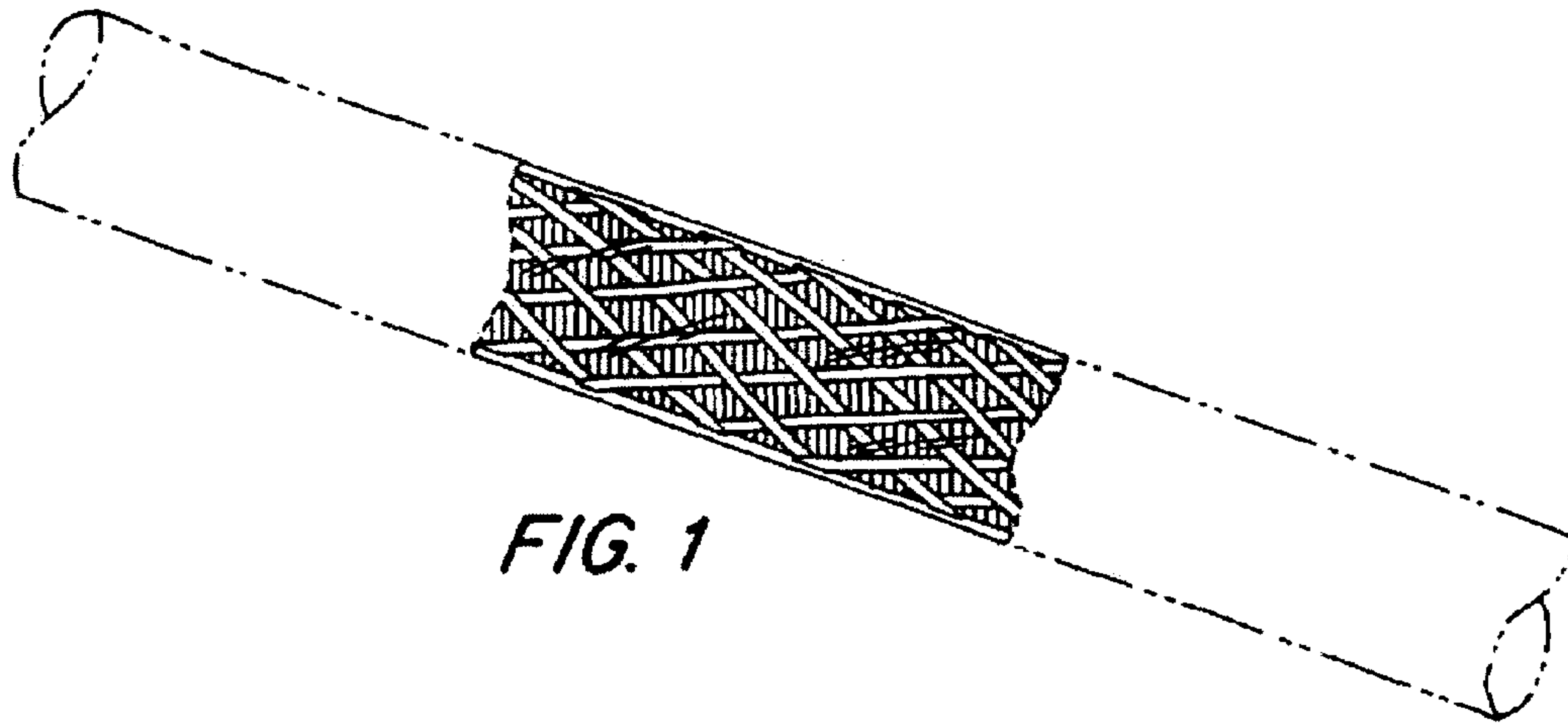


FIG. 1

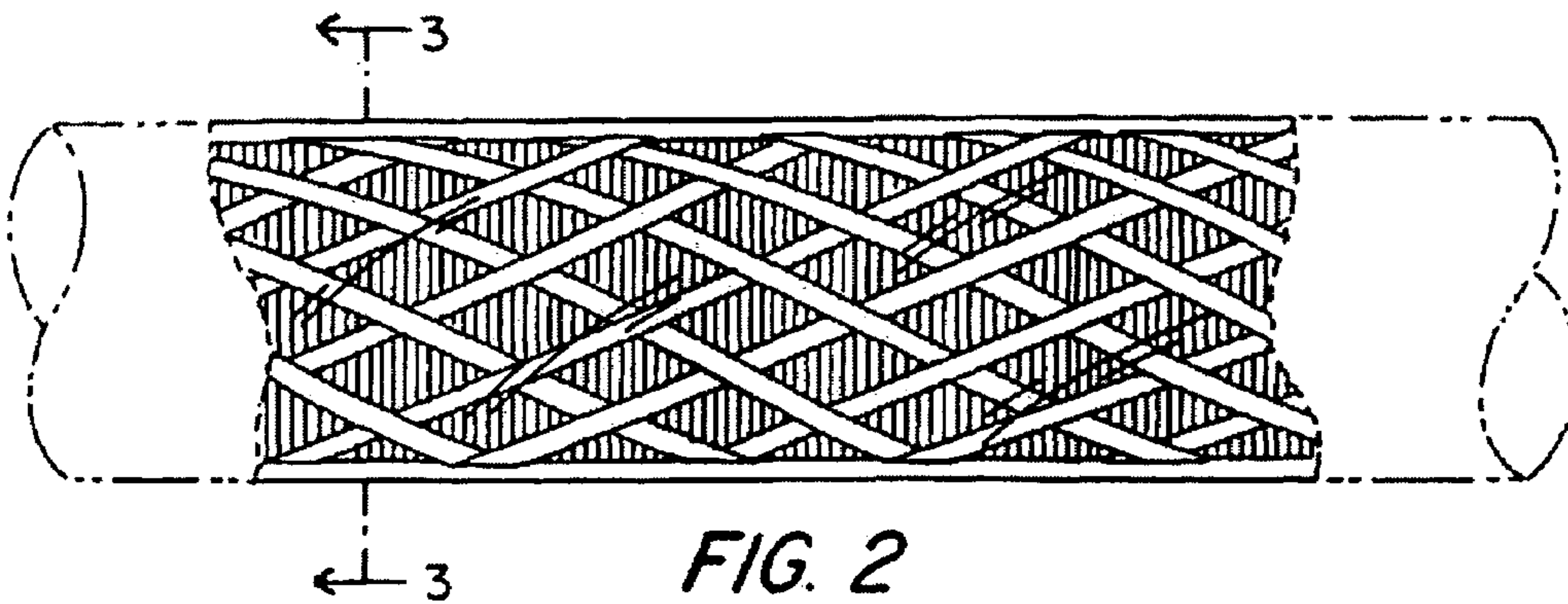


FIG. 2

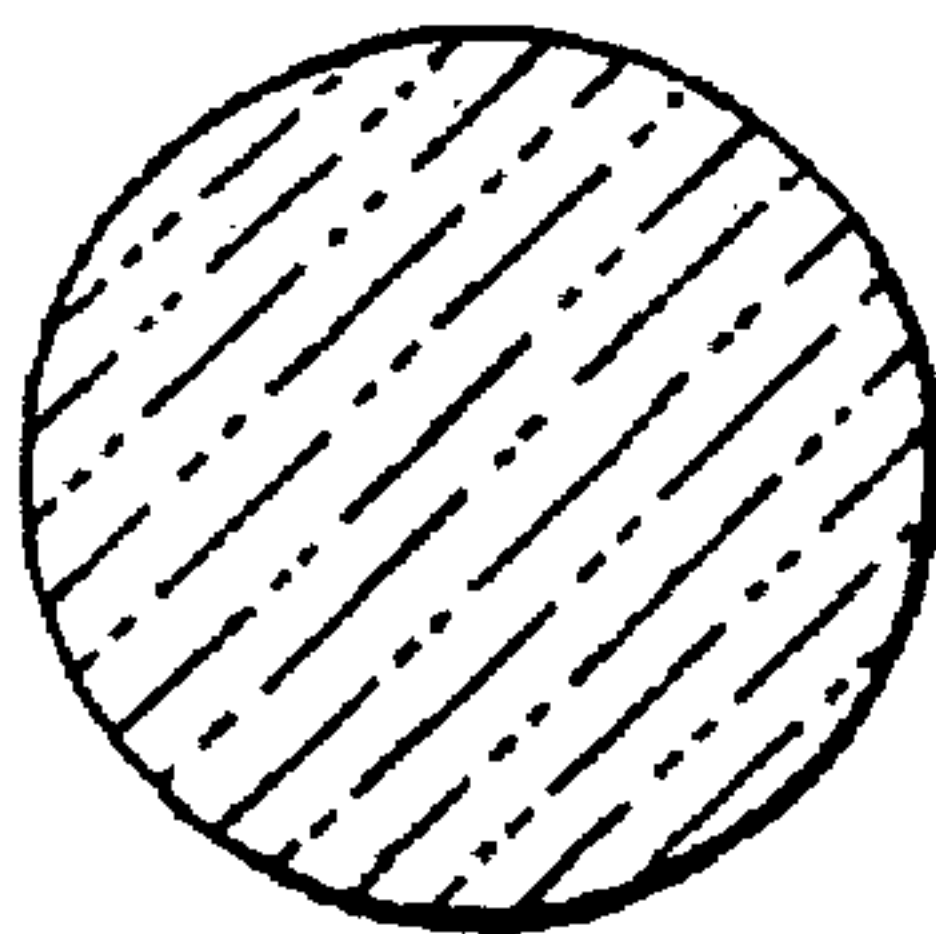


FIG. 3

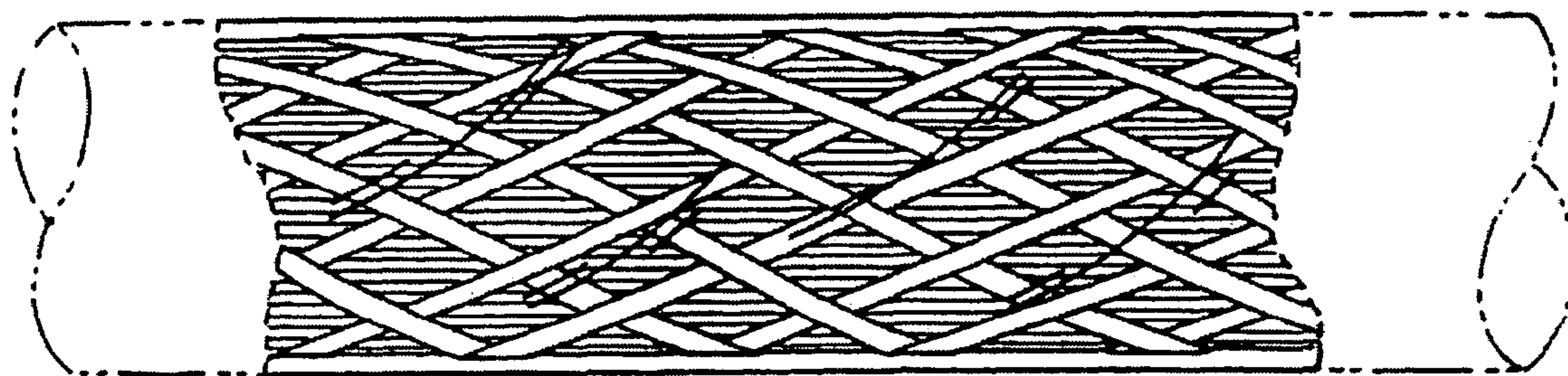


FIG. 4