



US00D585381S

(12) **United States Design Patent**  
**Cheng et al.**

(10) **Patent No.:** **US D585,381 S**  
(45) **Date of Patent:** **\*\* Jan. 27, 2009**

(54) **ELECTRICAL CONNECTOR**

(75) Inventors: **Xing-Jun Cheng**, ShenZhen (CN);  
**Chao-Wang Lu**, Tu-Cheng (TW)

(73) Assignee: **Hon Hai Precision Ind. Co., Ltd.**,  
Taipei Hsien (TW)

(\*\*) Term: **14 Years**

(21) Appl. No.: **29/293,612**

(22) Filed: **Dec. 4, 2007**

(30) **Foreign Application Priority Data**

Jun. 4, 2007 (TW) ..... 96303059

(51) **LOC (9) Cl.** ..... **13-03**

(52) **U.S. Cl.** ..... **D13/147**

(58) **Field of Classification Search** ..... D13/147,  
D13/154, 184; D16/200; 439/71-73, 83,  
439/330-331, 607-610, 660, 680, 876, 946  
See application file for complete search history.

(56) **References Cited**

**U.S. PATENT DOCUMENTS**

D531,122 S \* 10/2006 Asai et al. .... D13/147

D539,224 S \* 3/2007 Nishio et al. .... D13/147  
D539,749 S \* 4/2007 Yang ..... D13/147  
D565,510 S \* 4/2008 Ma ..... D13/147  
D570,786 S \* 6/2008 Wu ..... D13/147  
D571,299 S \* 6/2008 Wu ..... D13/147  
D573,541 S \* 7/2008 Wu ..... D13/147

\* cited by examiner

*Primary Examiner*—Daniel D Bui

(74) *Attorney, Agent, or Firm*—Wei Te Chung

(57) **CLAIM**

The ornamental design for an electrical connector, as shown.

**DESCRIPTION**

FIG. 1 is a perspective view of an electrical connector showing our new design;

FIG. 2 is a front elevational view of FIG. 1;

FIG. 3 is a rear elevational view of FIG. 1;

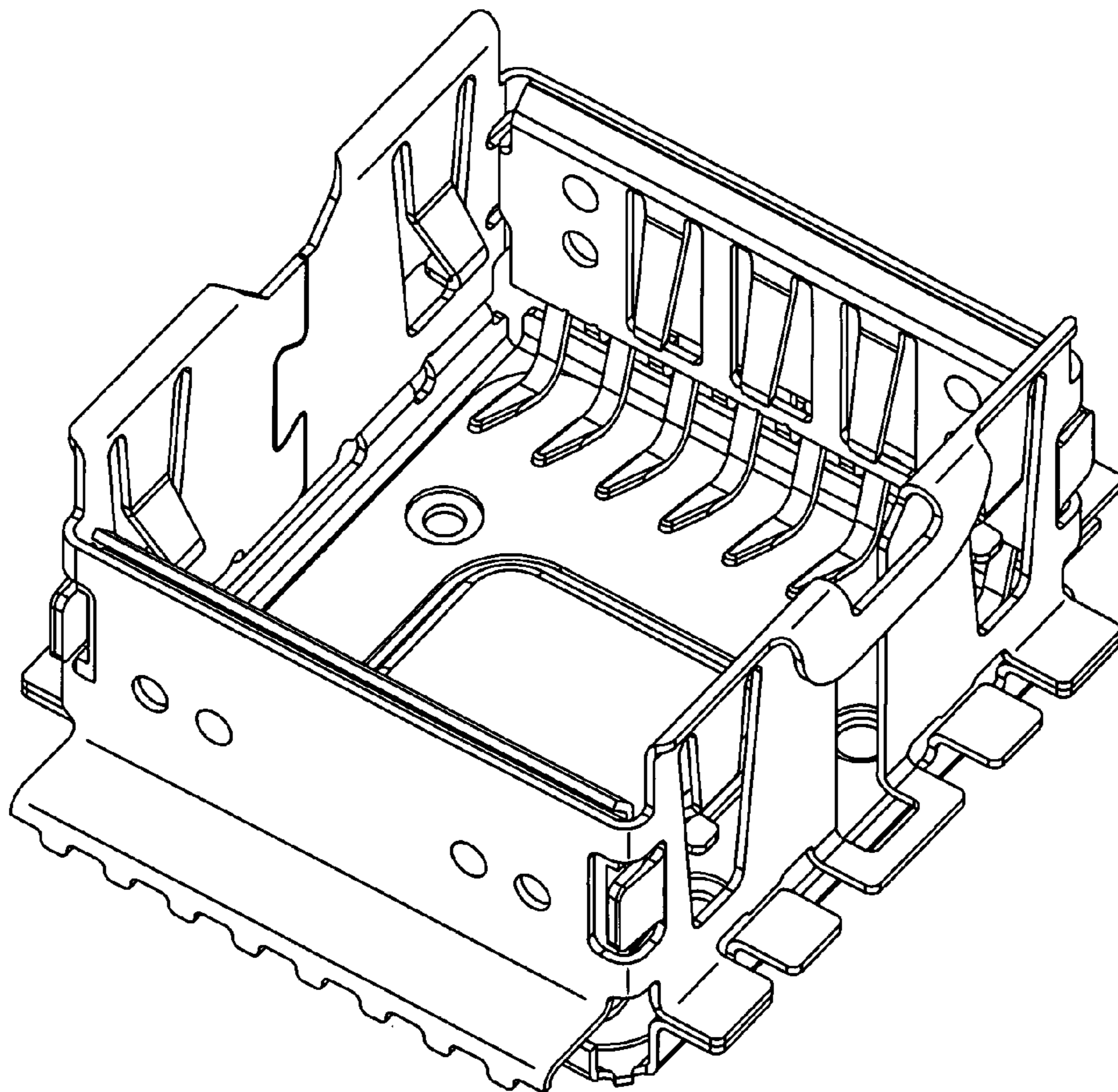
FIG. 4 is a left side elevational view of FIG. 1;

FIG. 5 is a right side elevational view of FIG. 1;

FIG. 6 is a top plan view of FIG. 1; and,

FIG. 7 is a bottom plan view of FIG. 1.

**1 Claim, 7 Drawing Sheets**



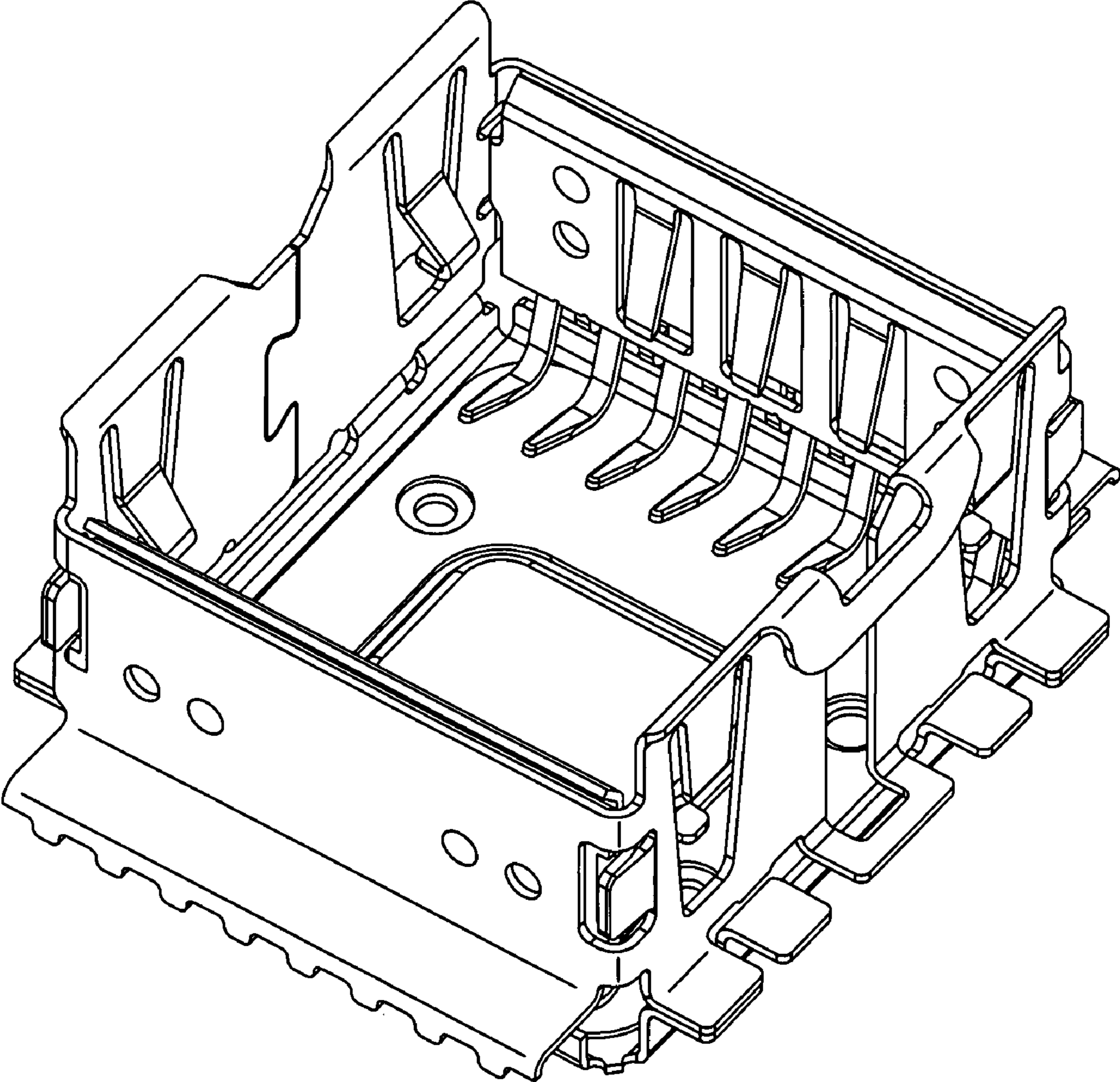


FIG. 1

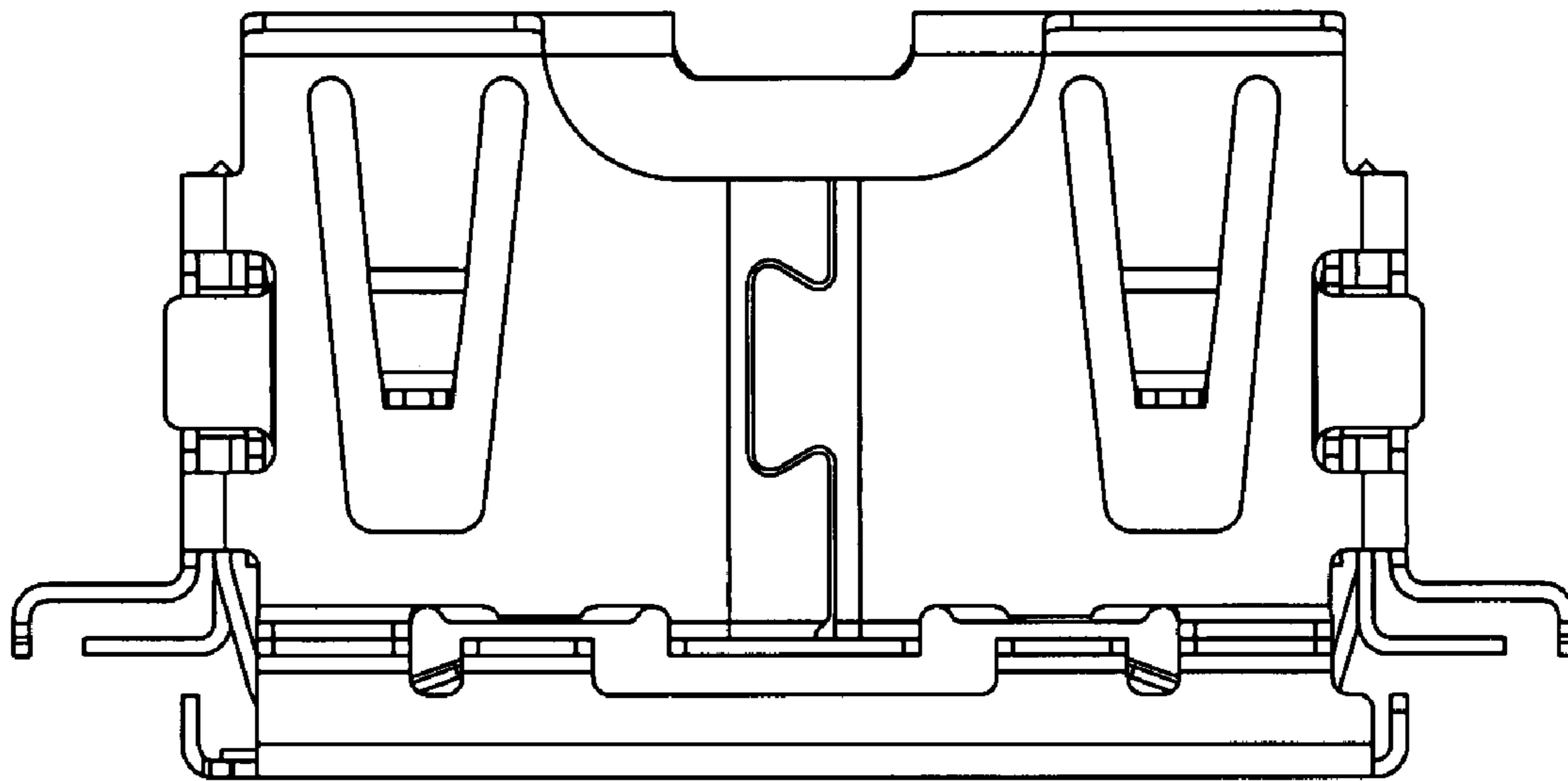


FIG. 2

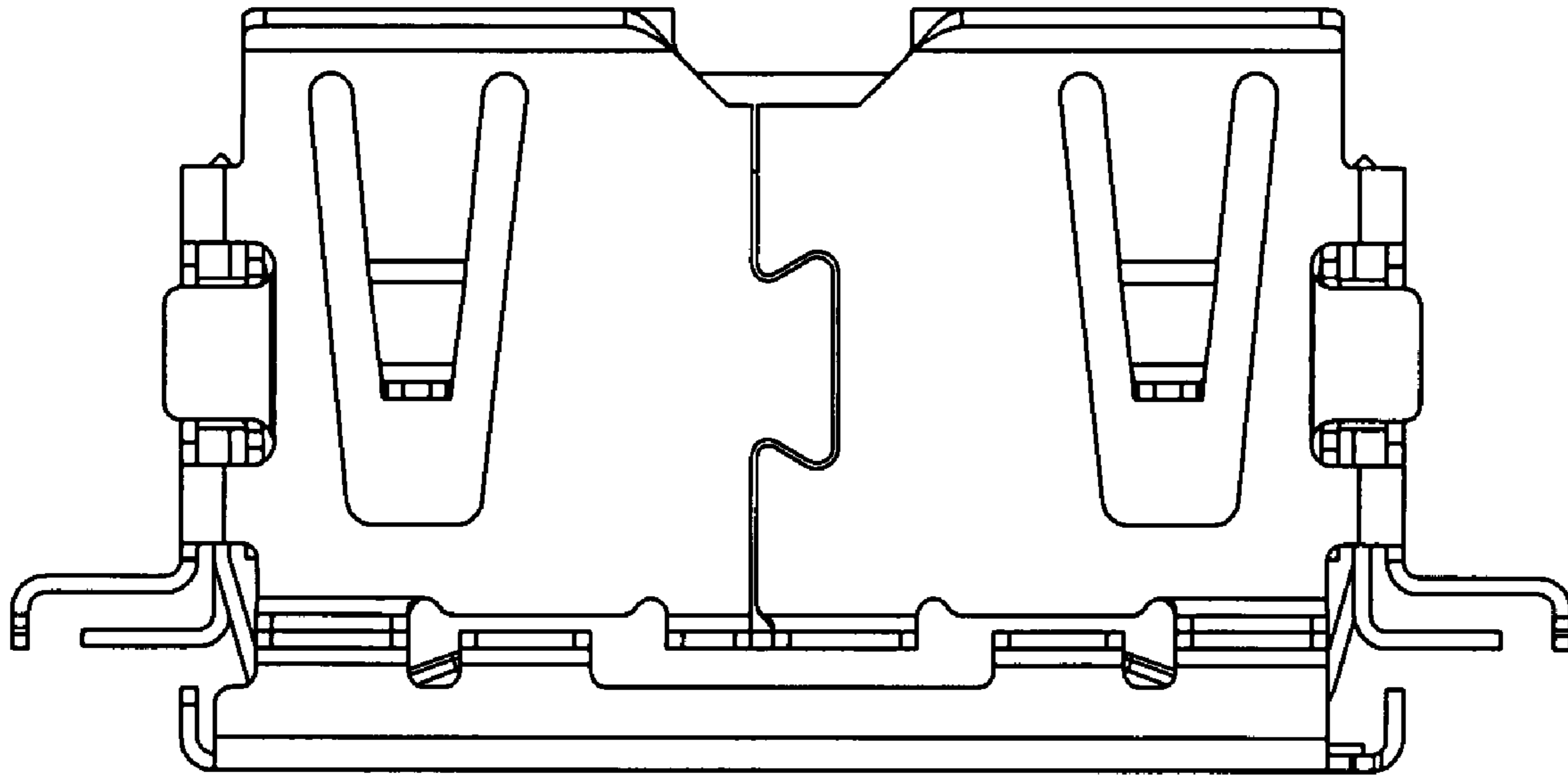


FIG. 3

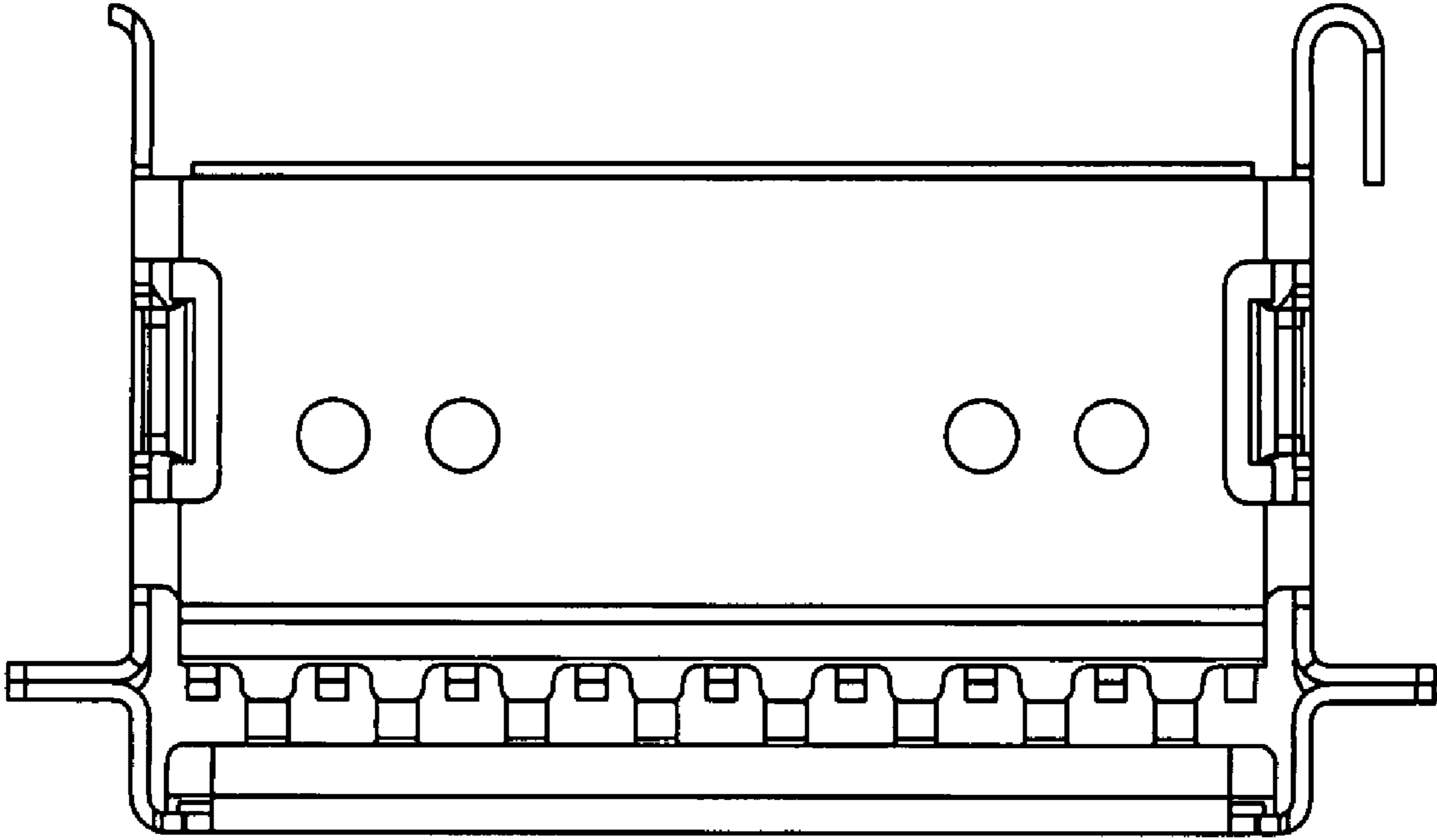


FIG. 4

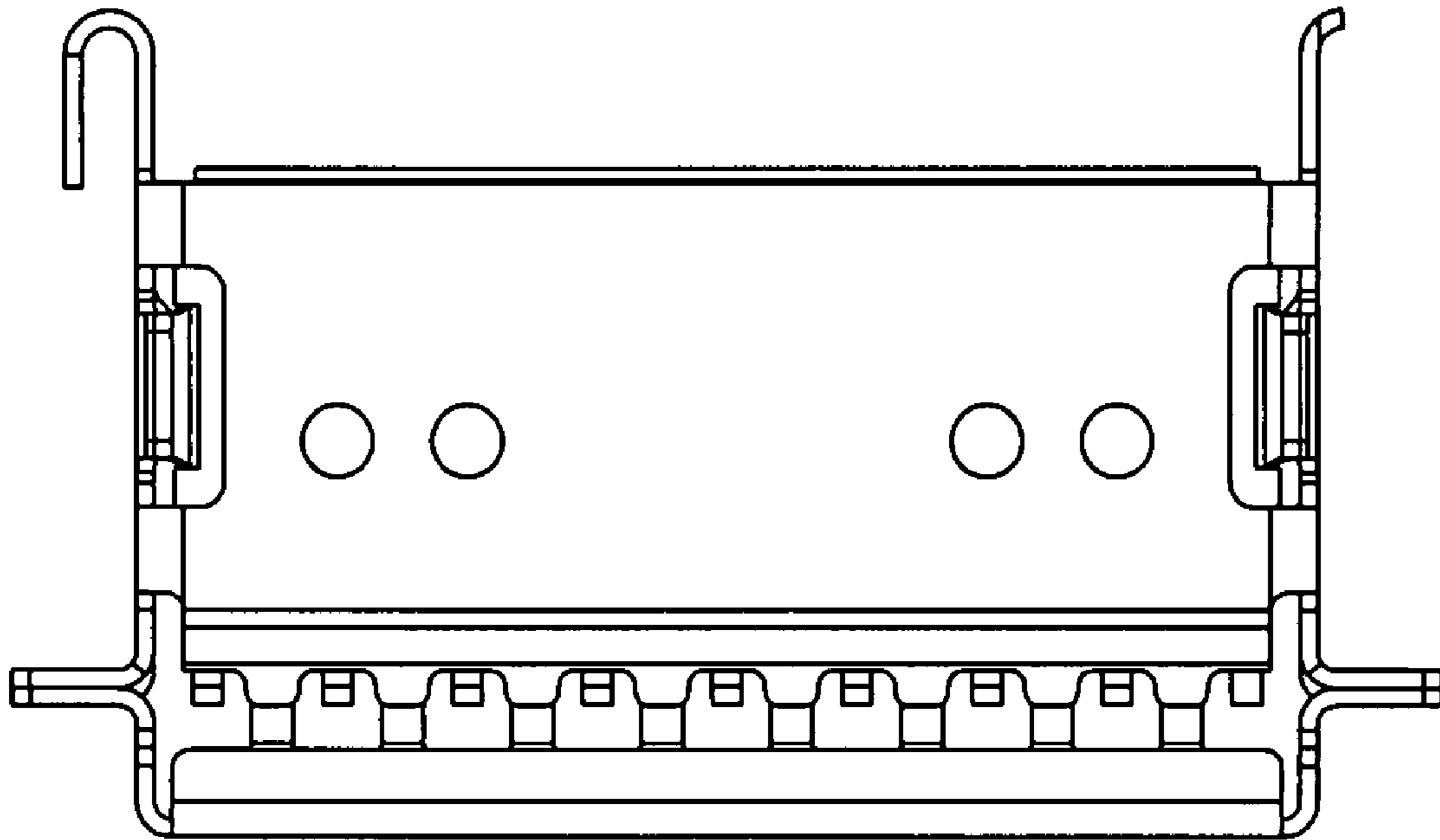


FIG. 5

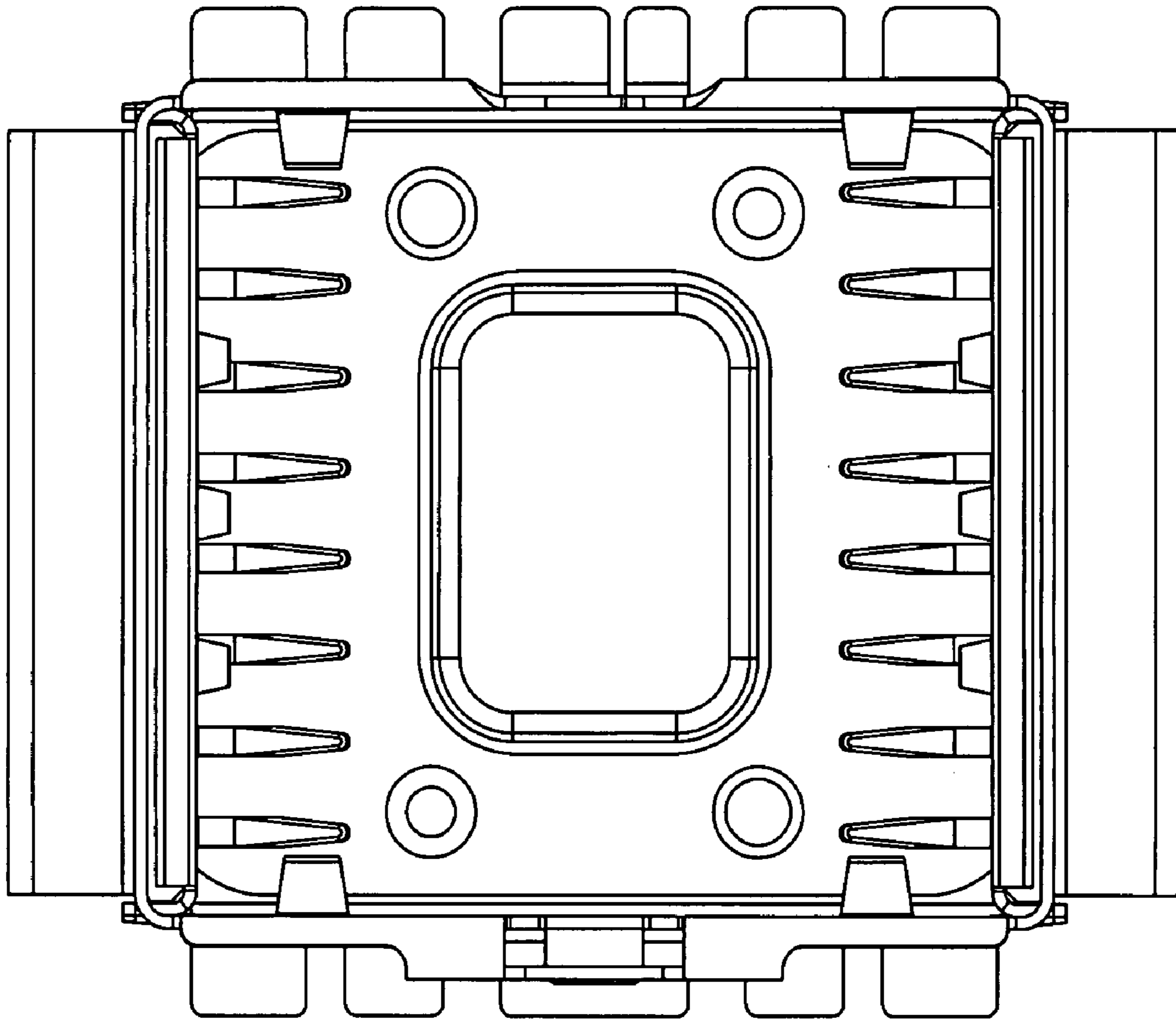


FIG. 6

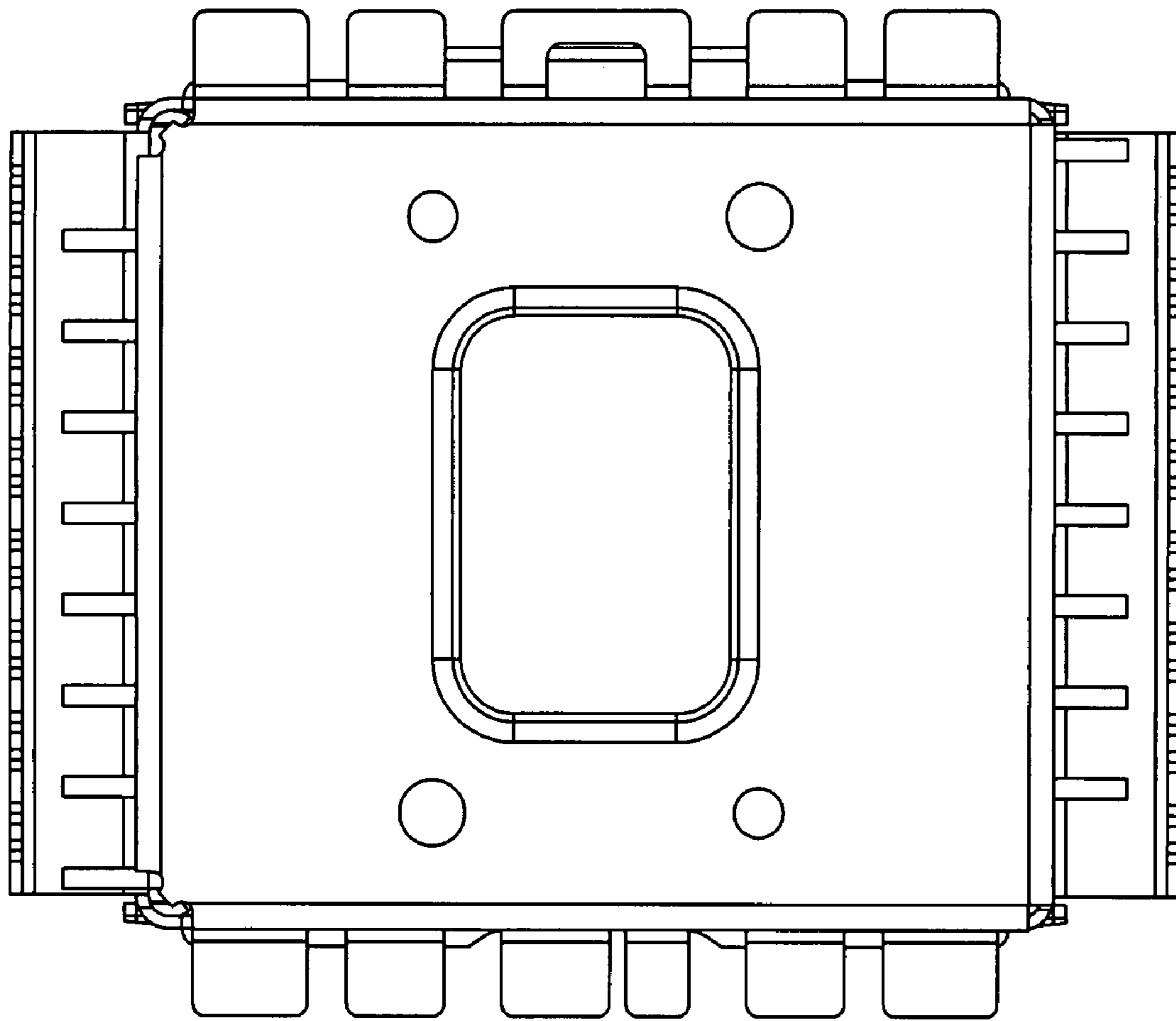


FIG. 7