



US00D585380S

(12) **United States Design Patent**
So

(10) **Patent No.:** **US D585,380 S**

(45) **Date of Patent:** **** *Jan. 27, 2009**

(54) **TERMINAL CONNECTOR**

(75) Inventor: **Shun Tong So**, Hong Kong (CN)

(73) Assignee: **Morning Star Industrial Company Limited**, Kwun Tong (HK)

(*) Notice: This patent is subject to a terminal disclaimer.

(**) Term: **14 Years**

(21) Appl. No.: **29/265,277**

(22) Filed: **Aug. 29, 2006**

(51) **LOC (9) Cl.** **13-03**

(52) **U.S. Cl.** **D13/146; D13/133**

(58) **Field of Classification Search** D13/133,
D13/146, 147, 154, 184, 199; D14/140,
D14/217, 240, 256, 299, 356; 439/344, 538,
439/535-536, 540.1, 571, 573, 638, 650,
439/676

See application file for complete search history.

(56) **References Cited**

U.S. PATENT DOCUMENTS

4,997,386 A * 3/1991 Kawachi et al. 439/352
5,879,199 A * 3/1999 Belopolsky 439/701
D421,964 S * 3/2000 Nagasawa et al. D13/147
6,123,564 A * 9/2000 Belmore, III 439/344

D432,991 S * 10/2000 Taguchi D13/147
6,203,379 B1 * 3/2001 Cai et al. 439/676
D521,504 S * 5/2006 Nagel et al. D14/240
2005/0101194 A1 * 5/2005 Deng et al. 439/676

* cited by examiner

Primary Examiner—Daniel Bui

(74) *Attorney, Agent, or Firm*—McDermott Will & Emery LLP

(57) **CLAIM**

The ornamental design for a terminal connector, substantially as shown and described.

DESCRIPTION

FIG. 1 is a front view of the terminal connector showing the new design;

FIG. 2 is a rear view of the terminal connector;

FIG. 3 is a side view of the terminal connector;

FIG. 4 is another side view of the terminal connector;

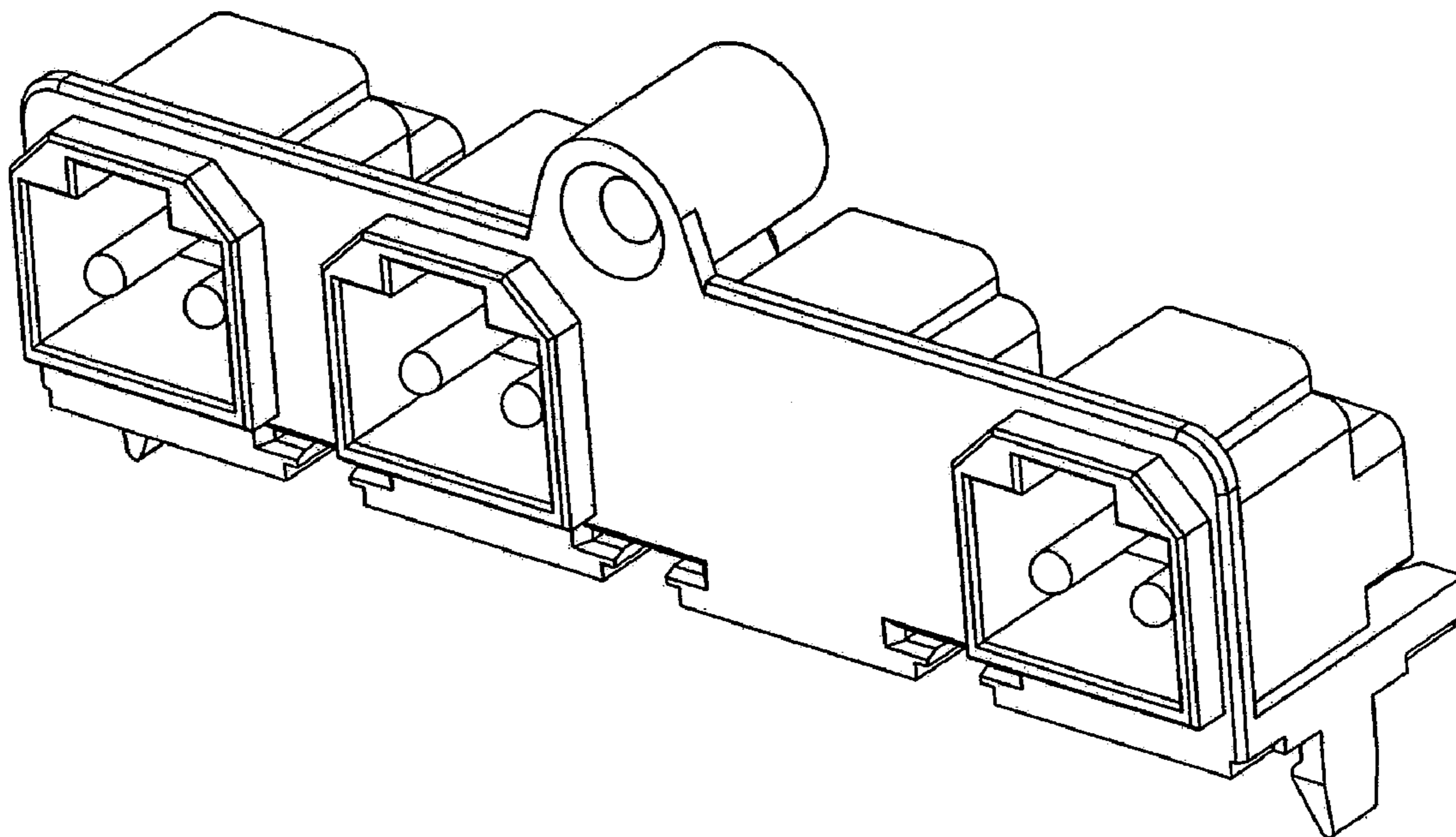
FIG. 5 is a top view of the terminal connector;

FIG. 6 is bottom view of the terminal connector; and,

FIG. 7 is a front perspective view of the terminal connector.

The broken line showing of the environment is for illustrative purposes only and forms no part of the claimed design.

1 Claim, 7 Drawing Sheets



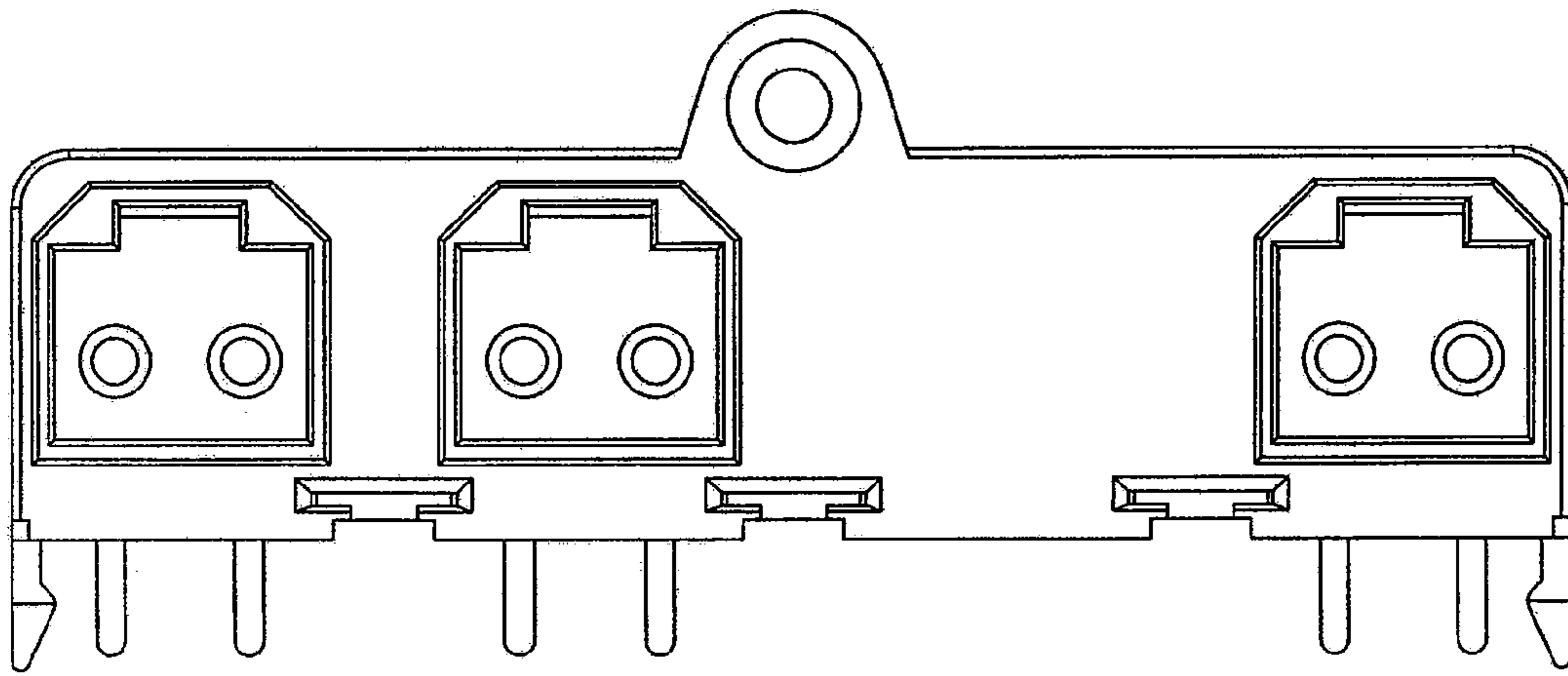


FIGURE 1

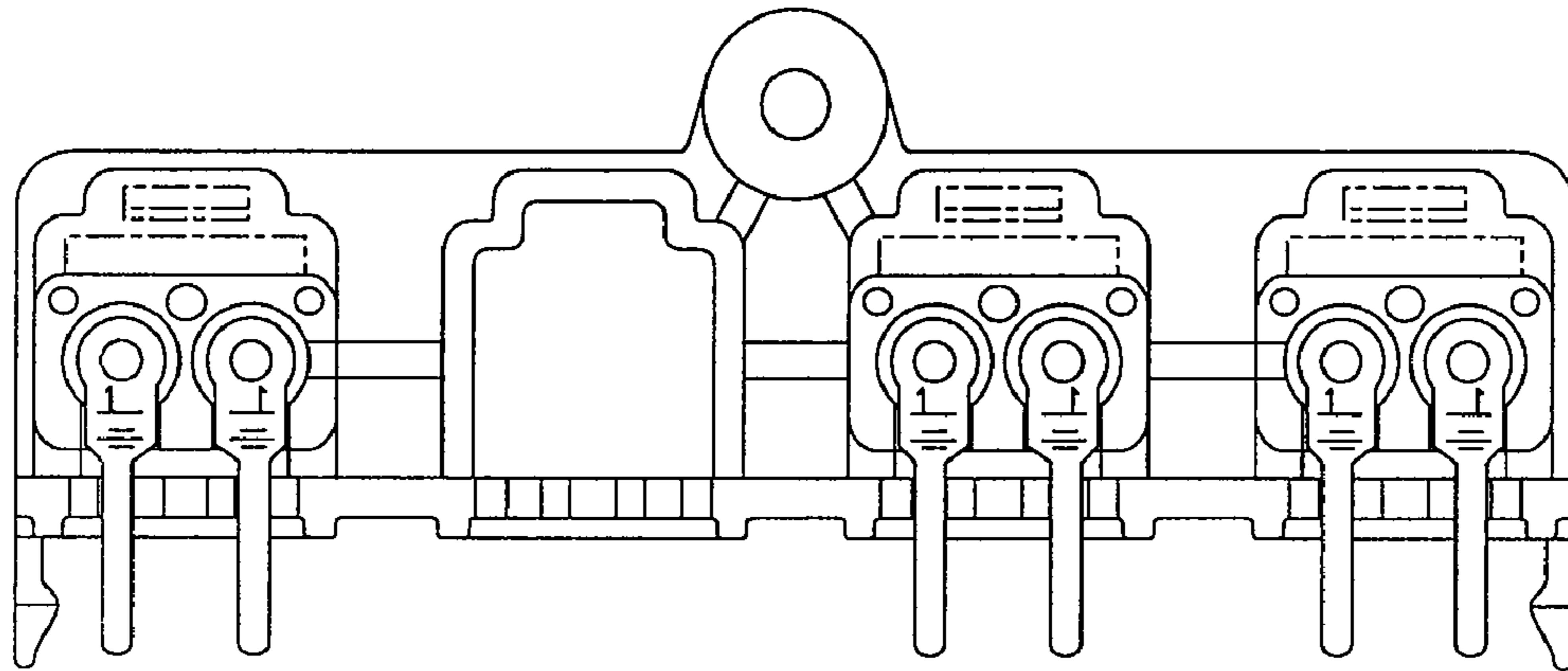


FIGURE 2

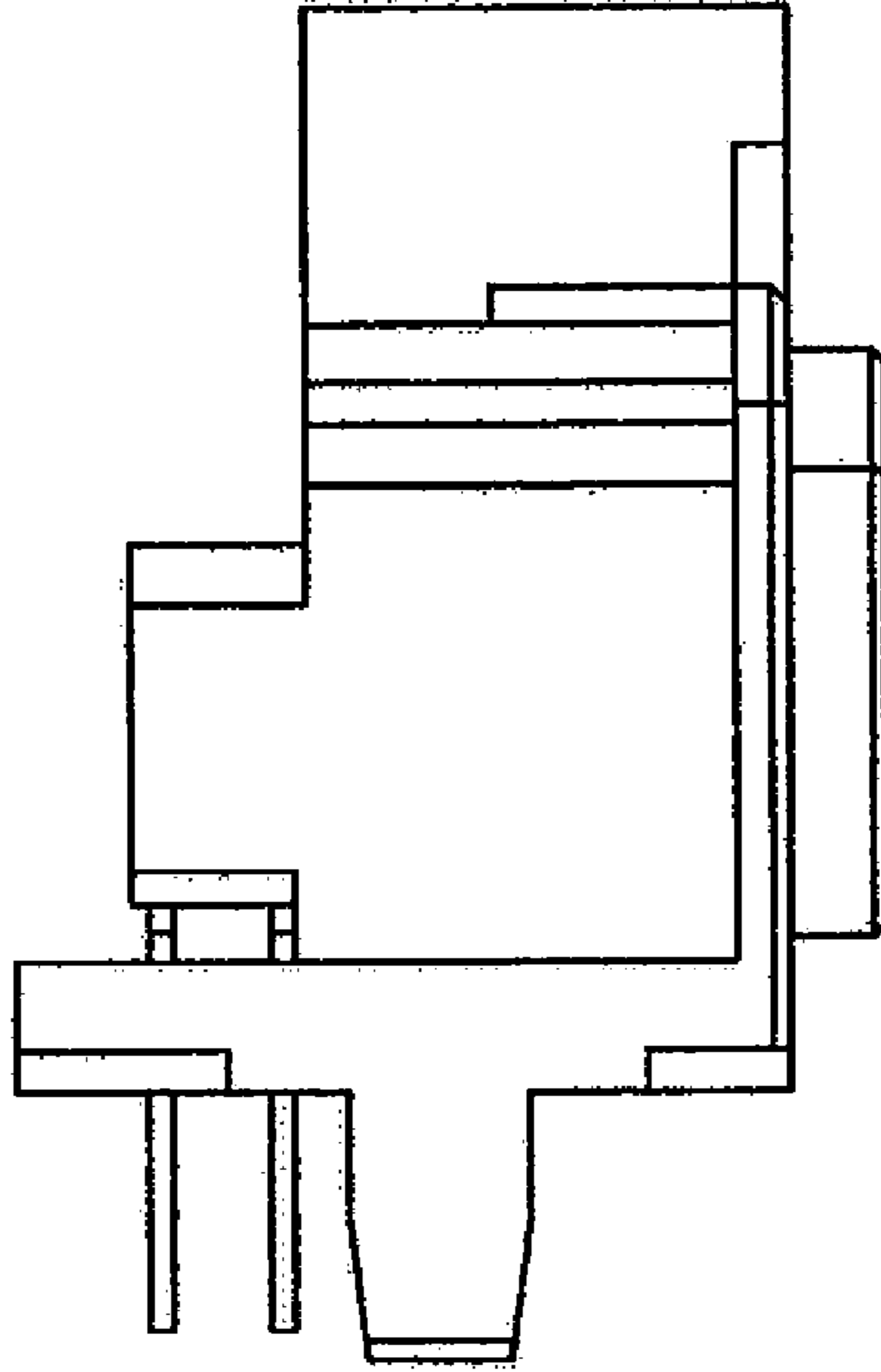


FIGURE 3

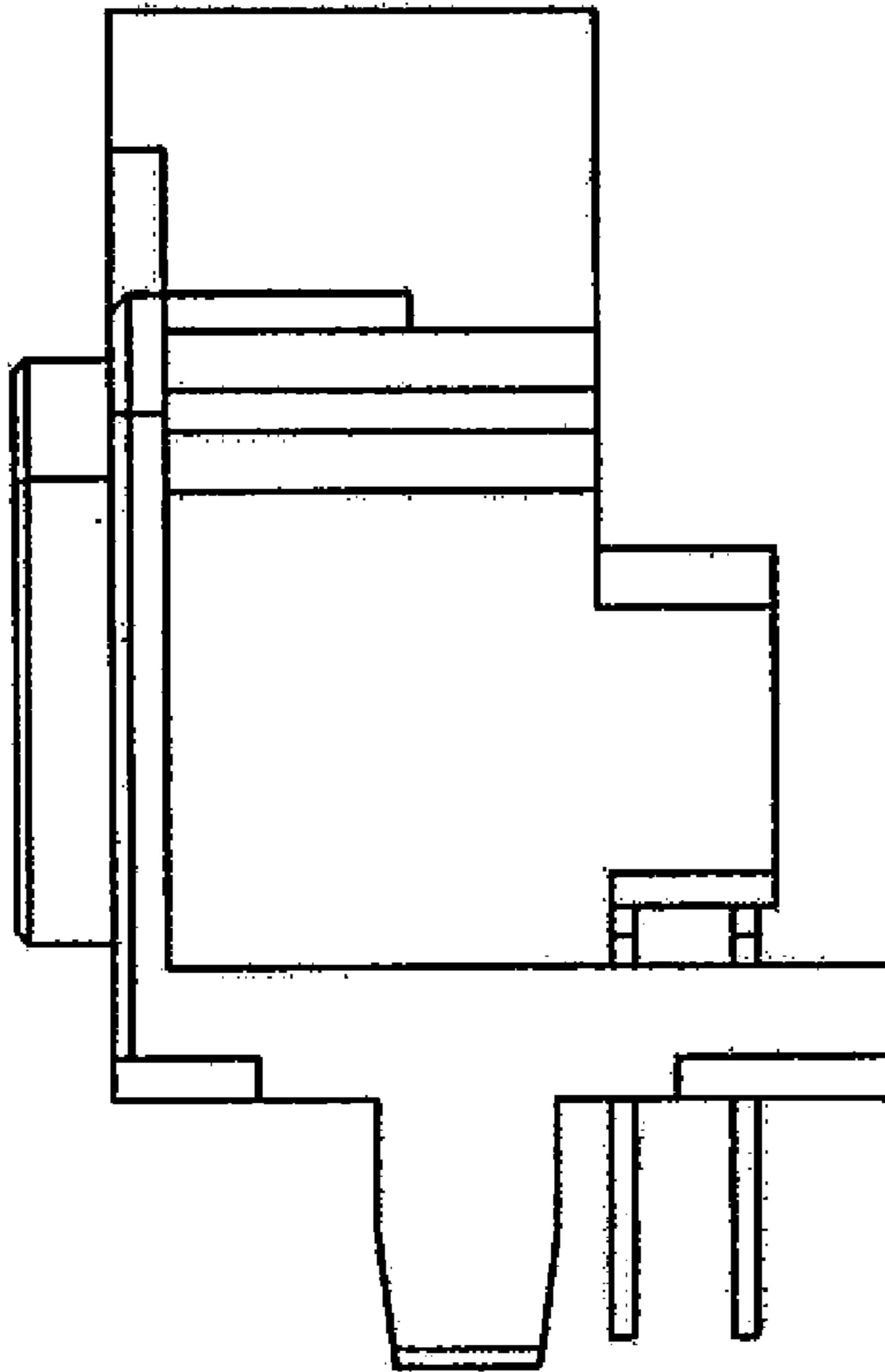


FIGURE 4

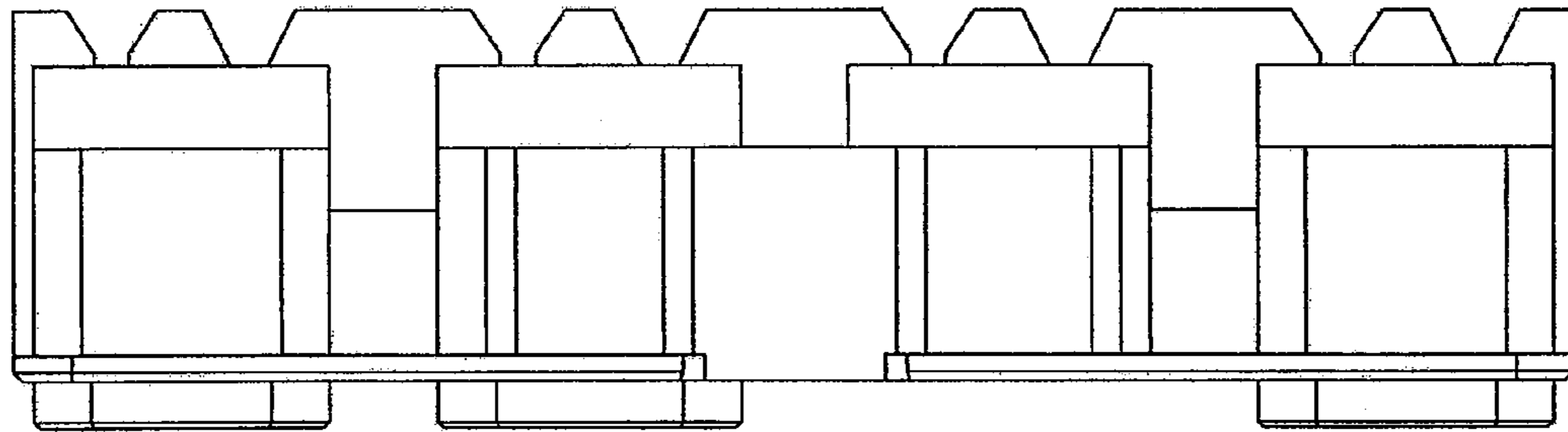


FIGURE 5

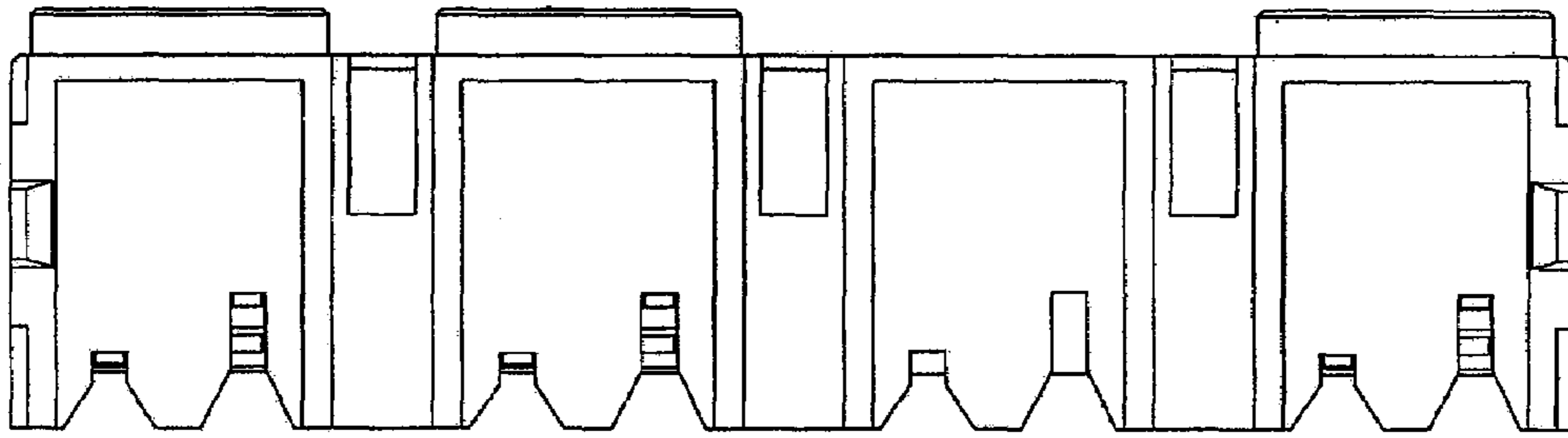


FIGURE 6

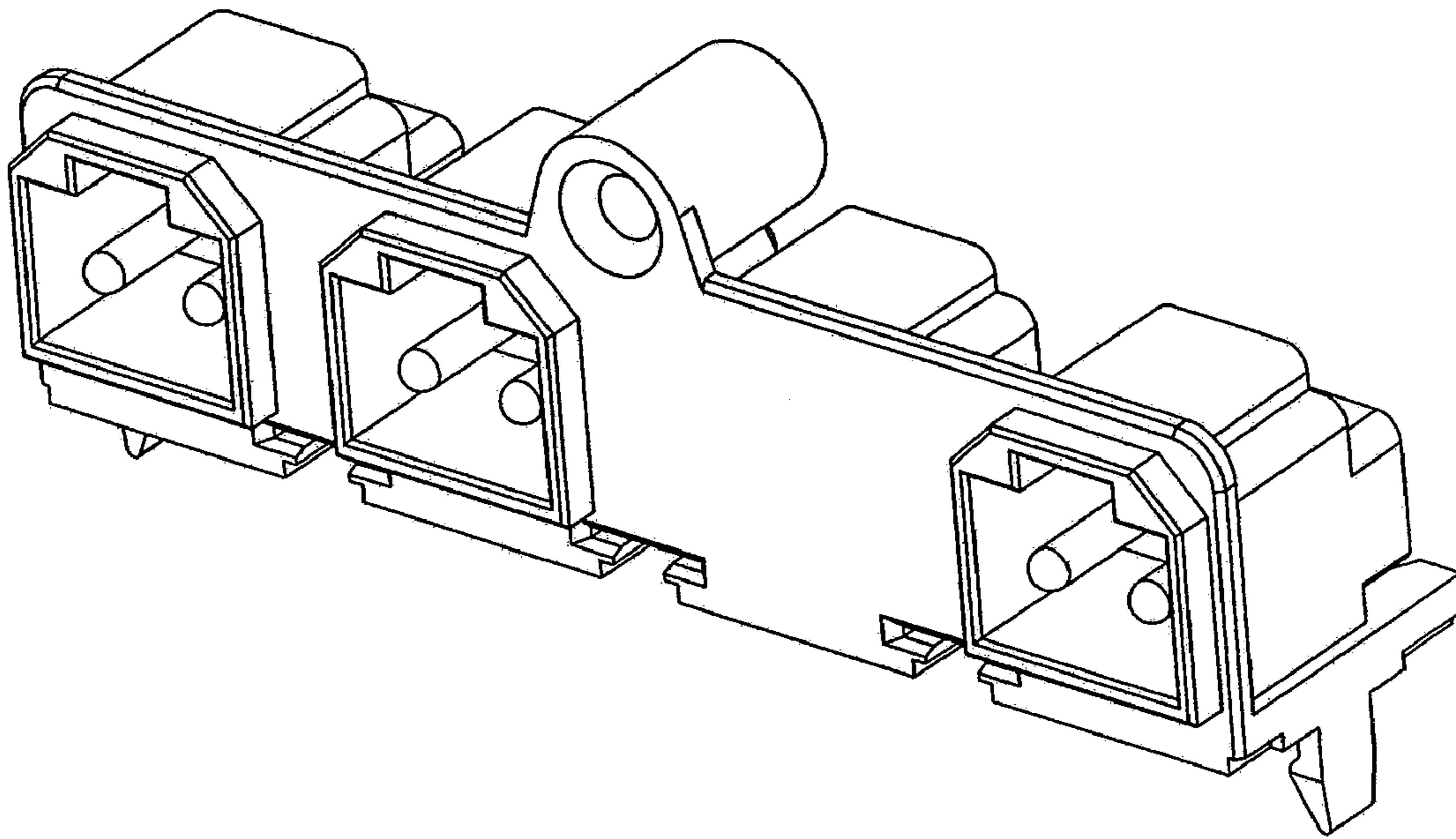


FIGURE 7