



US00D585378S

(12) **United States Design Patent**
Haber

(10) **Patent No.:** **US D585,378 S**

(45) **Date of Patent:** **** Jan. 27, 2009**

(54) **PLUG**

(75) Inventor: **Joseph Haber**, Brooklyn, NY (US)

(73) Assignee: **NCC NY, LLC**, New York, NY (US)

(**) Term: **14 Years**

(21) Appl. No.: **29/281,818**

(22) Filed: **Jul. 3, 2007**

(51) **LOC (9) Cl.** **13-03**

(52) **U.S. Cl.** **D13/138.2**

(58) **Field of Classification Search** D13/107-110,
D13/118-119, 137.1-139.8, 184; D14/251,
D14/253, 432, 434; 320/107-115; 307/64,
307/85, 150, 151; 363/143, 146; 439/152-160,
439/484, 692, 694

See application file for complete search history.

(56) **References Cited**

U.S. PATENT DOCUMENTS

- D165,991 S * 2/1952 Ludwig D13/138.1
- D345,342 S * 3/1994 Fox D13/138.1
- D355,160 S * 2/1995 Velasco D13/138.2

- D447,118 S * 8/2001 Lee D13/138.2
- D519,079 S * 4/2006 Suckle D13/138.1
- D535,947 S * 1/2007 Suckle et al. D13/138.2
- 7,311,558 B2 * 12/2007 Adams et al. 439/680

* cited by examiner

Primary Examiner—Cathron C Brooks
Assistant Examiner—Rosemary K Tarcza

(57) **CLAIM**

The ornamental design for a plug, as shown and described.

DESCRIPTION

FIG. 1 is a front right perspective view of a plug showing my new design;

FIG. 2 is a front elevational view thereof;

FIG. 3 is a rear elevational view thereof;

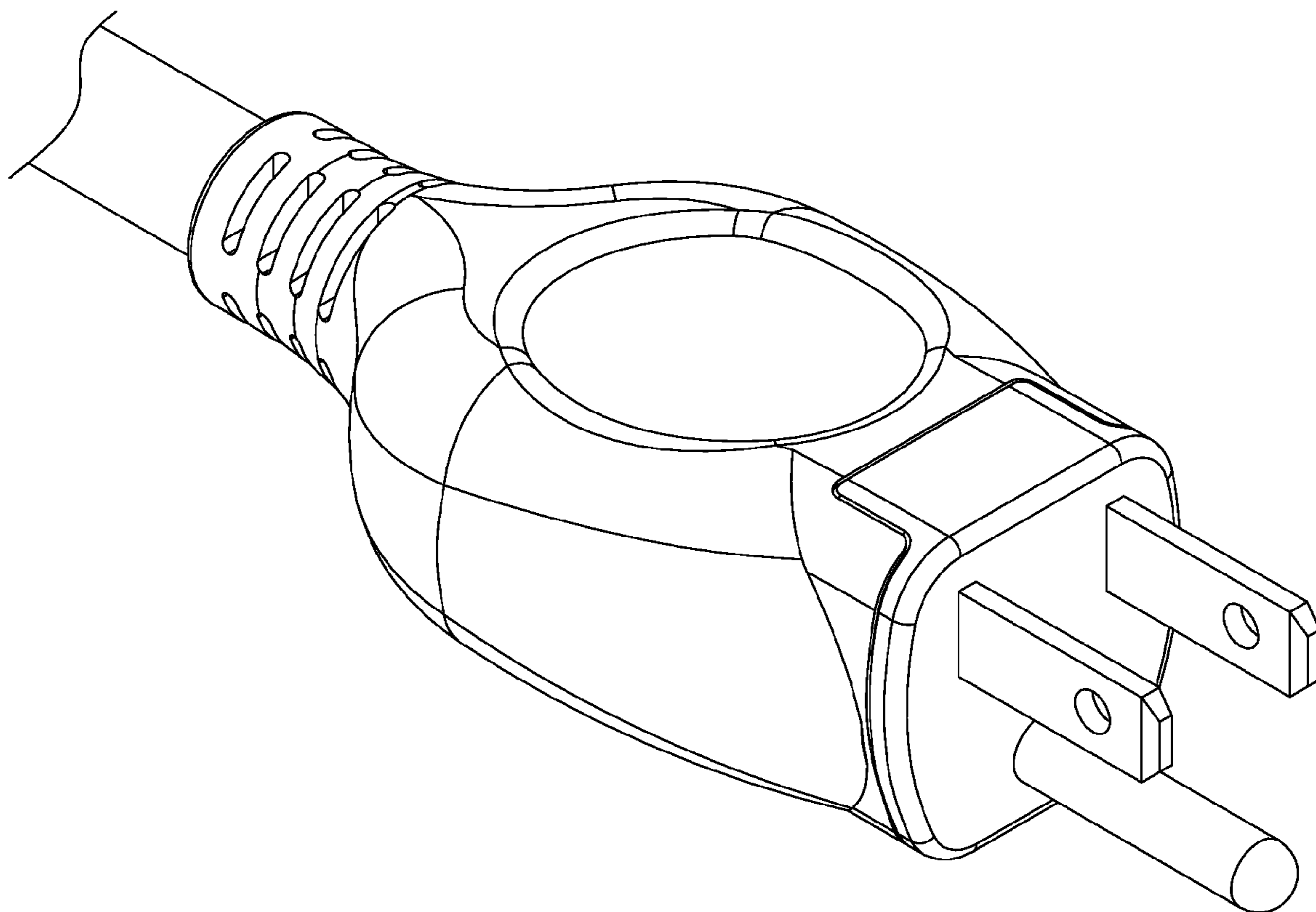
FIG. 4 is a left side elevation view thereof;

FIG. 5 is a right side elevation view thereof;

FIG. 6 is a top plan view thereof; and,

FIG. 7 is a bottom plan view thereof.

1 Claim, 4 Drawing Sheets



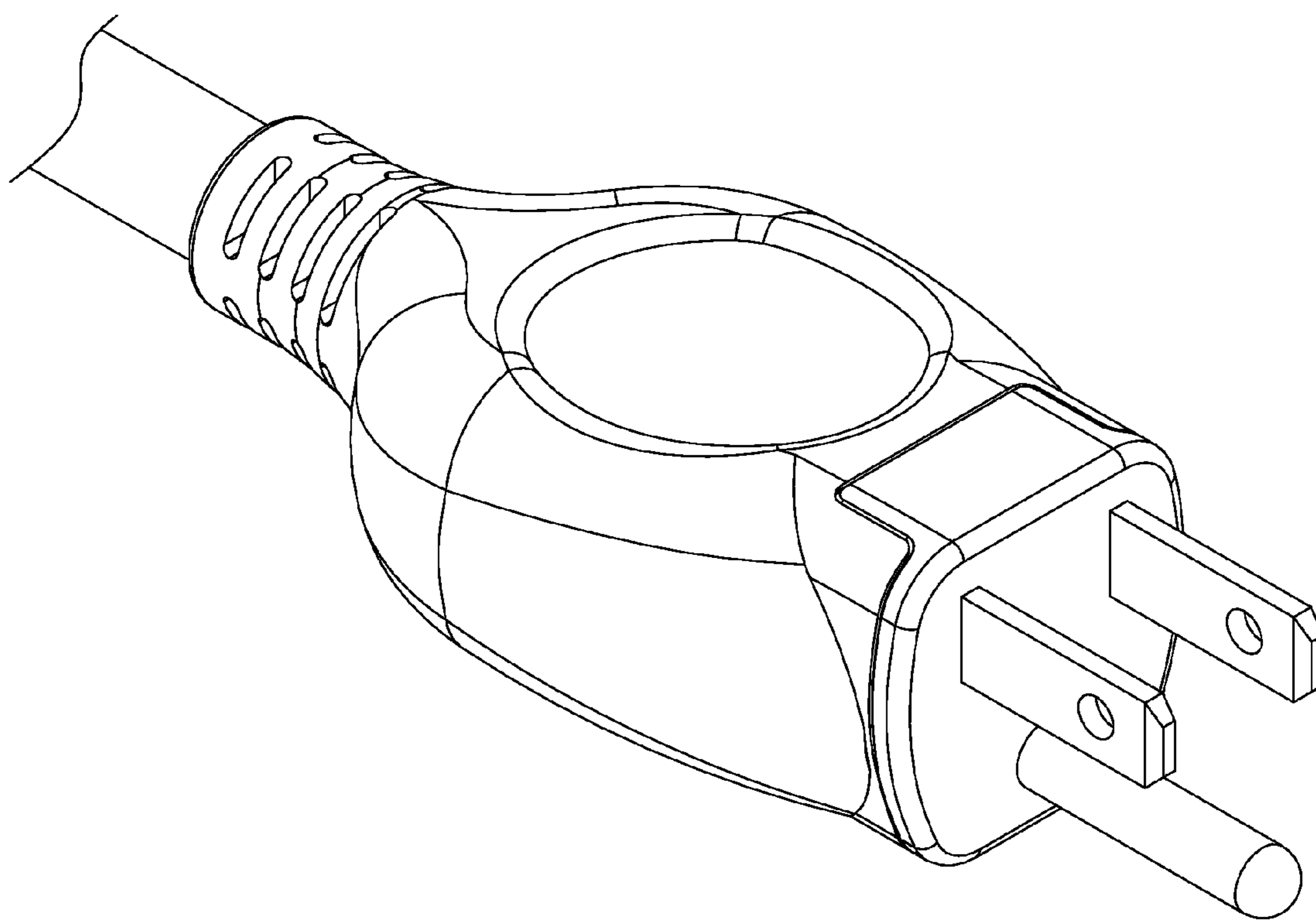


FIG. 1

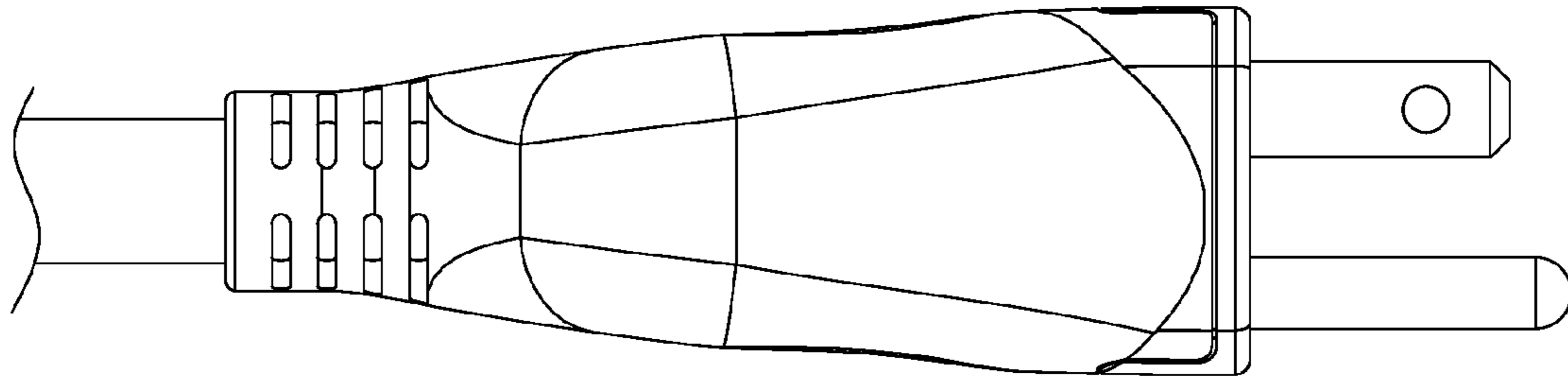


FIG. 2

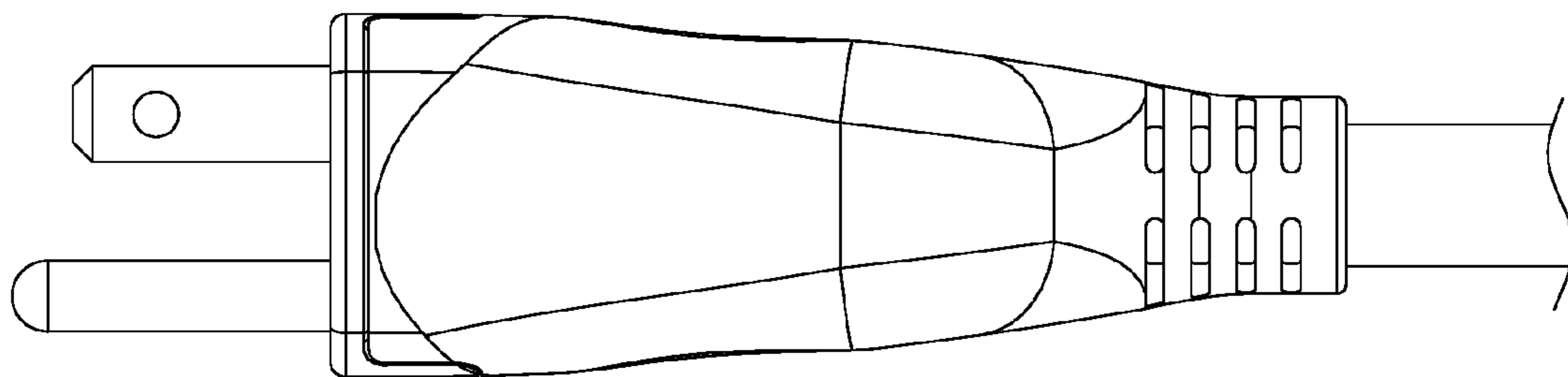


FIG. 3

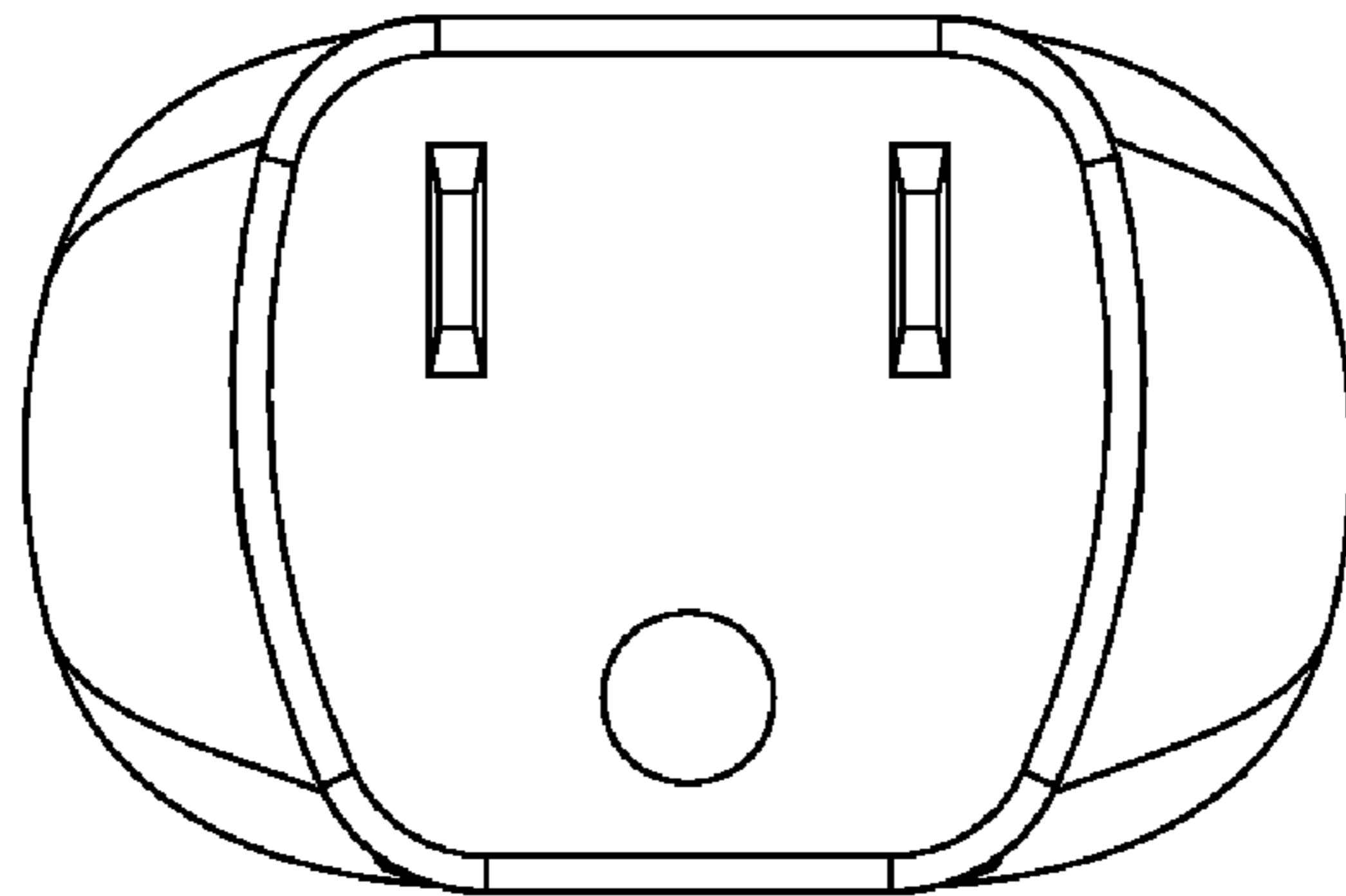


FIG. 4

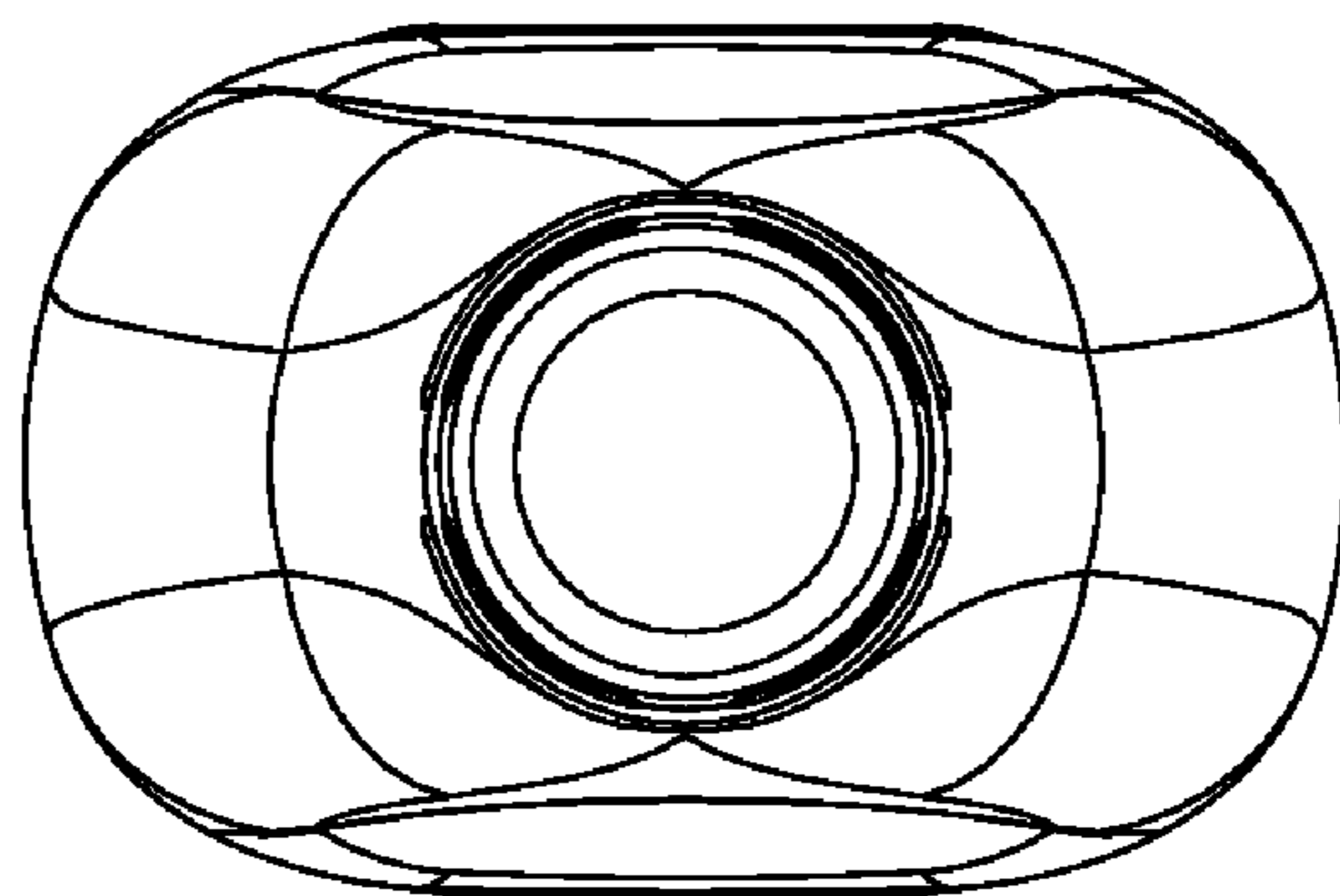


FIG. 5

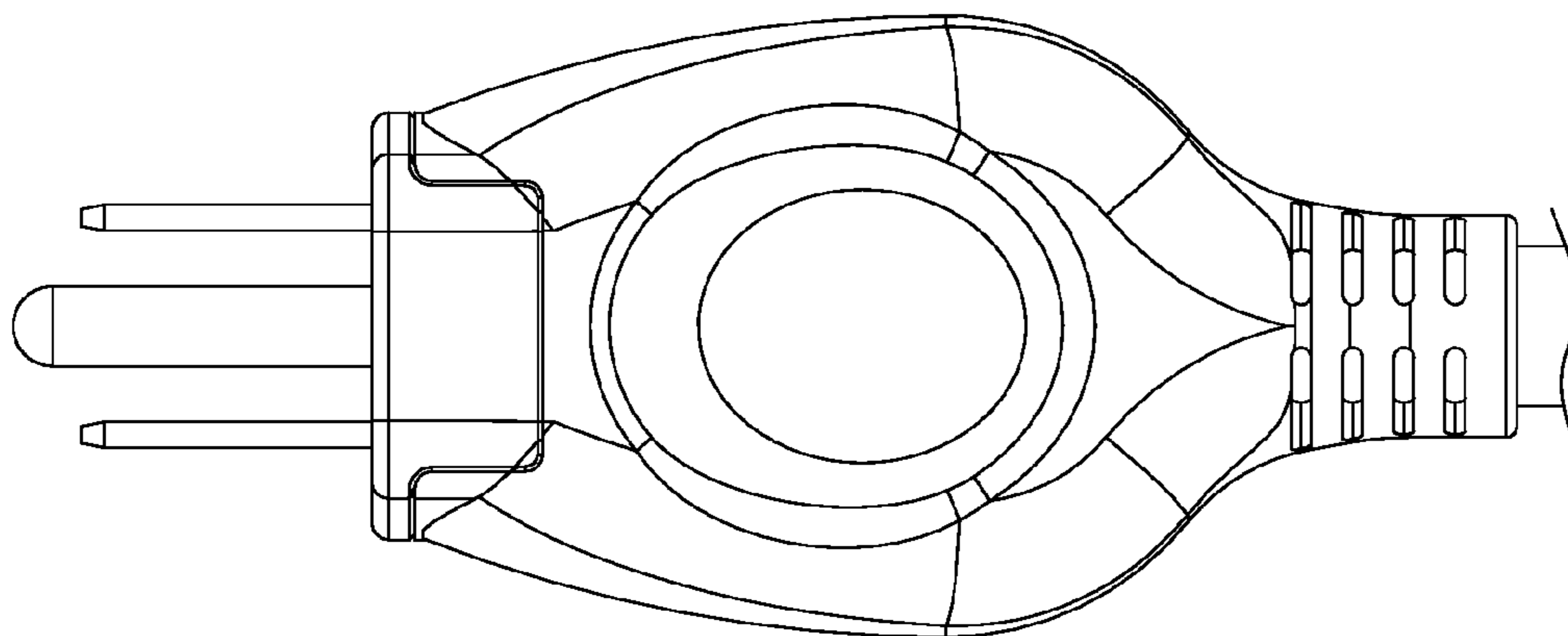


FIG. 7

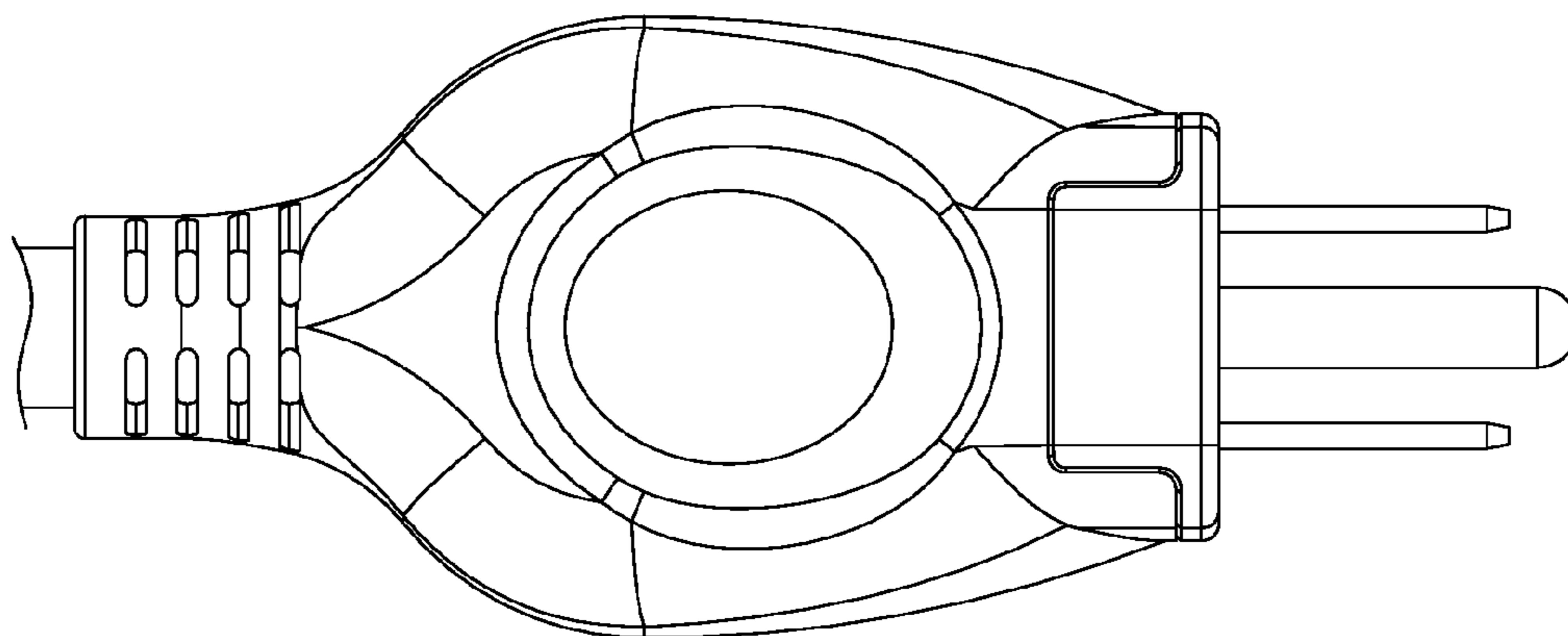


FIG. 6