



US00D585375S

(12) **United States Design Patent**
Andre et al.

(10) **Patent No.:** **US D585,375 S**
(45) **Date of Patent:** **** Jan. 27, 2009**

(54) **POWER CONNECTOR**

(75) Inventors: **Bartley K. Andre**, Menlo Park, CA (US); **Daniel J. Coster**, San Francisco, CA (US); **Daniele De Iuliis**, San Francisco, CA (US); **Richard P. Howarth**, San Francisco, CA (US); **Jonathan P. Ive**, San Francisco, CA (US); **Duncan Robert Kerr**, San Francisco, CA (US); **Shin Nishibori**, San Francisco, CA (US); **Matthew Dean Rohrbach**, San Francisco, CA (US); **Peter Russell-Clarke**, San Francisco, CA (US); **Douglas B. Satzger**, Menlo Park, CA (US); **Calvin Q. Seid**, Palo Alto, CA (US); **Vincent Keane Seid**, legal representative, Los Gatos, CA (US); **Christopher J. Stringer**, Portola Valley, CA (US); **Eugene Antony Whang**, San Francisco, CA (US); **Rico Zorkendorfer**, San Francisco, CA (US)

(73) Assignee: **Apple Inc.**, Cupertino, CA (US)

(**) Term: **14 Years**

(21) Appl. No.: **29/281,458**

(22) Filed: **Jun. 22, 2007**

(51) **LOC (9) Cl.** **13-03**

(52) **U.S. Cl.** **D13/133; D13/144**

(58) **Field of Classification Search** **D13/133, D13/144, 154, 156, 184, 199; 439/675, 699, 439/750**

See application file for complete search history.

(56) **References Cited**

U.S. PATENT DOCUMENTS

D300,626 S * 4/1989 Crutcher et al. D13/144
D316,076 S 4/1991 Keating
D332,098 S 12/1992 Riley et al.
D337,305 S 7/1993 Ross et al.
D356,293 S 3/1995 Riley et al.

5,685,730 A * 11/1997 Cameron et al. 439/335
D400,177 S * 10/1998 Jones D13/144
D434,003 S * 11/2000 Brisson D13/146
D437,294 S * 2/2001 Amin D13/156
D461,448 S * 8/2002 Amin D13/133
D474,448 S * 5/2003 Bosch D13/144
D503,385 S * 3/2005 Hosokawa D13/147
D537,074 S 2/2007 Andre et al.
D554,585 S * 11/2007 Nazar D13/110
7,311,460 B2 * 12/2007 Yu 401/195

OTHER PUBLICATIONS

U.S. Appl. No. 29/270,882, filed Jan. 5, 2007.
U.S. Appl. No. 29/270,886, filed Jan. 5, 2007.
U.S. Appl. No. 29/284,334, filed Sep. 5, 2007.

* cited by examiner

Primary Examiner—Daniel D Bui

Assistant Examiner—Thomas J Johannes

(74) *Attorney, Agent, or Firm*—Sterne, Kessler, Goldstein & Fox P.L.L.C.

(57) **CLAIM**

The ornamental design for a power connector, substantially as shown and described.

DESCRIPTION

FIG. 1 is a front perspective view of a power connector showing our new design;

FIG. 2 is a rear perspective view thereof;

FIG. 3 is a front view thereof;

FIG. 4 is a rear view thereof;

FIG. 5 is a side view thereof;

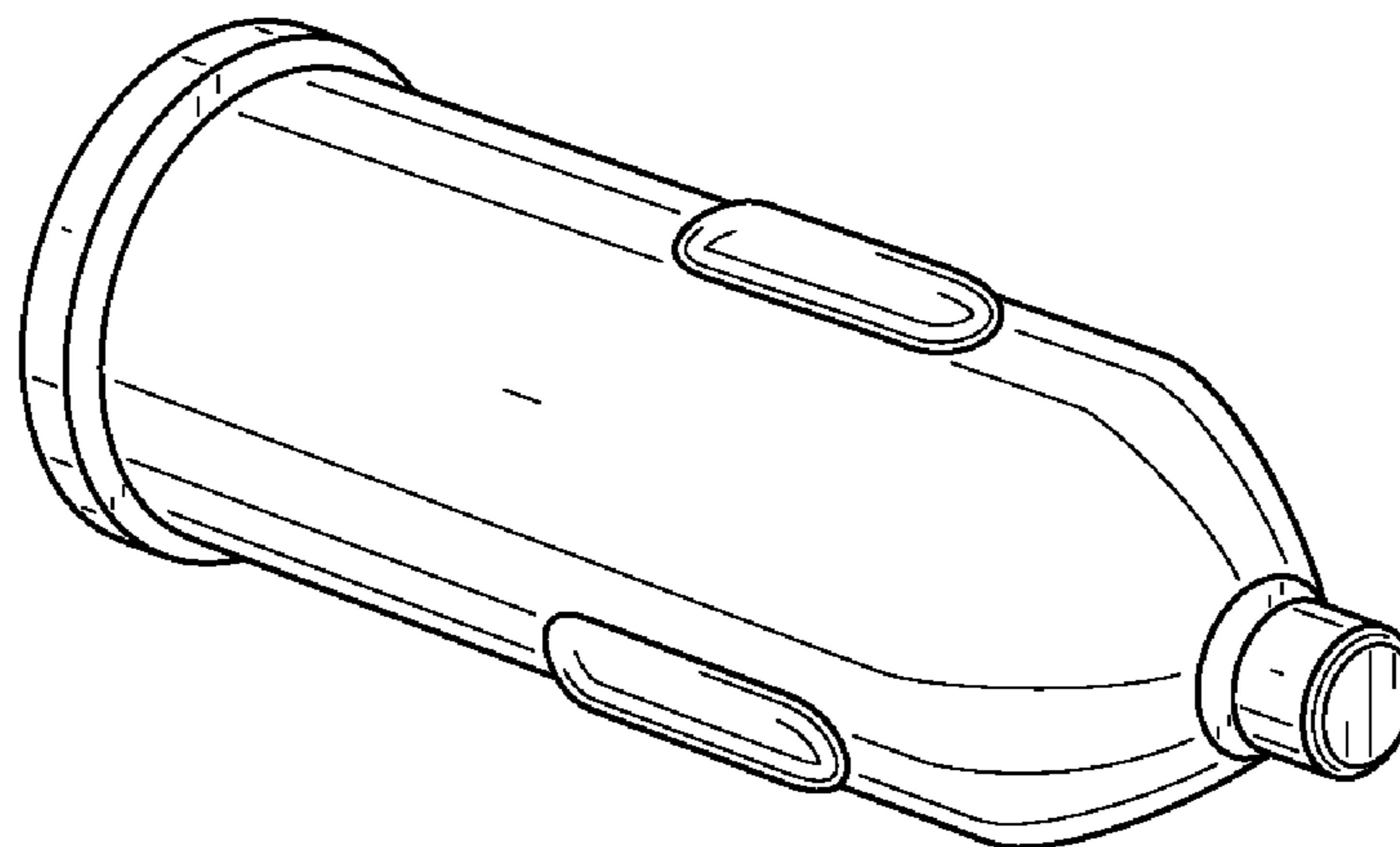
FIG. 6 is another side view thereof;

FIG. 7 is a rear perspective view of an alternate embodiment of our new design; and,

FIG. 8 is a rear view thereof.

The broken lines in the Figures are for illustrative purposes only and form no part of the claimed design.

1 Claim, 4 Drawing Sheets



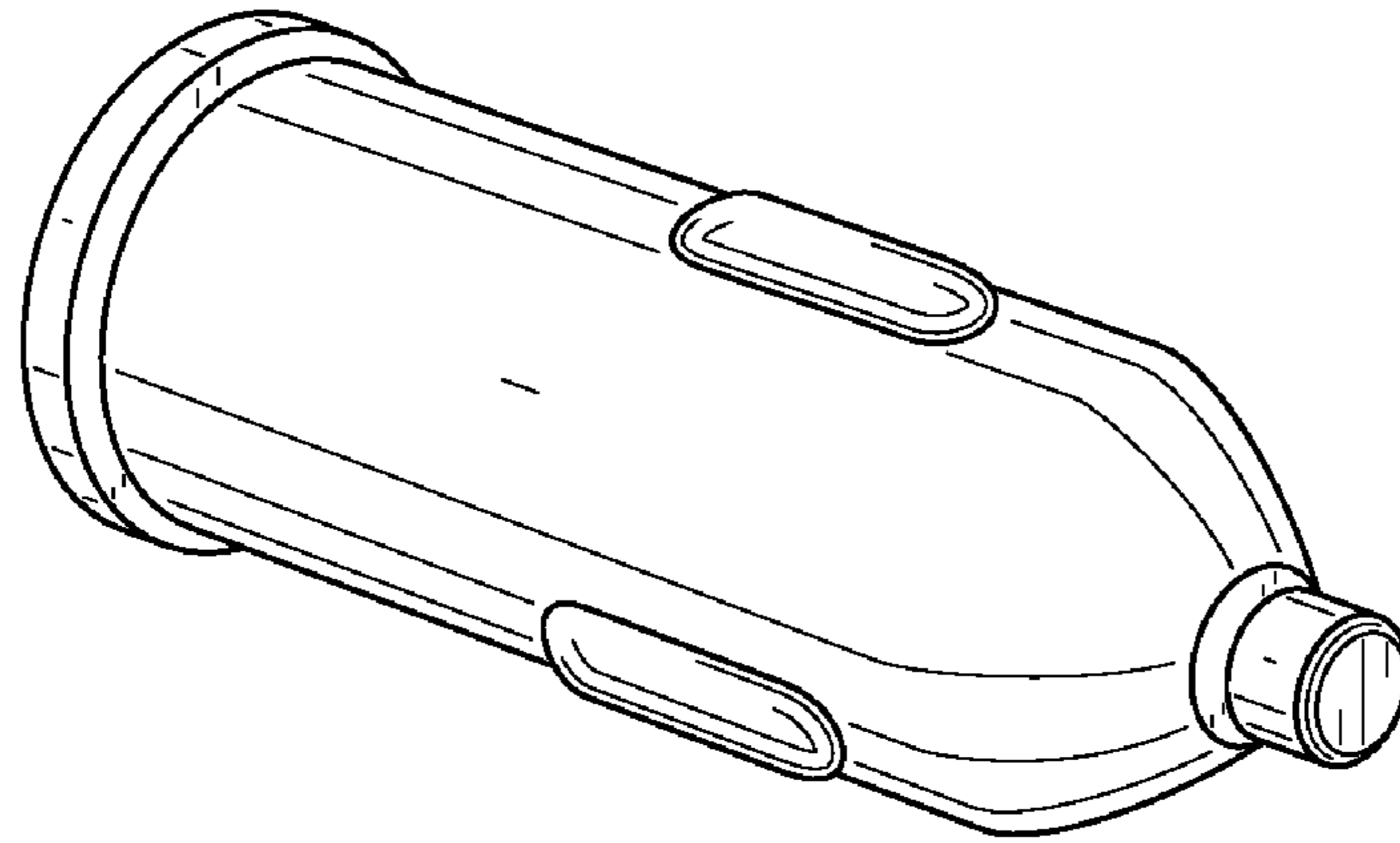


FIG. 1

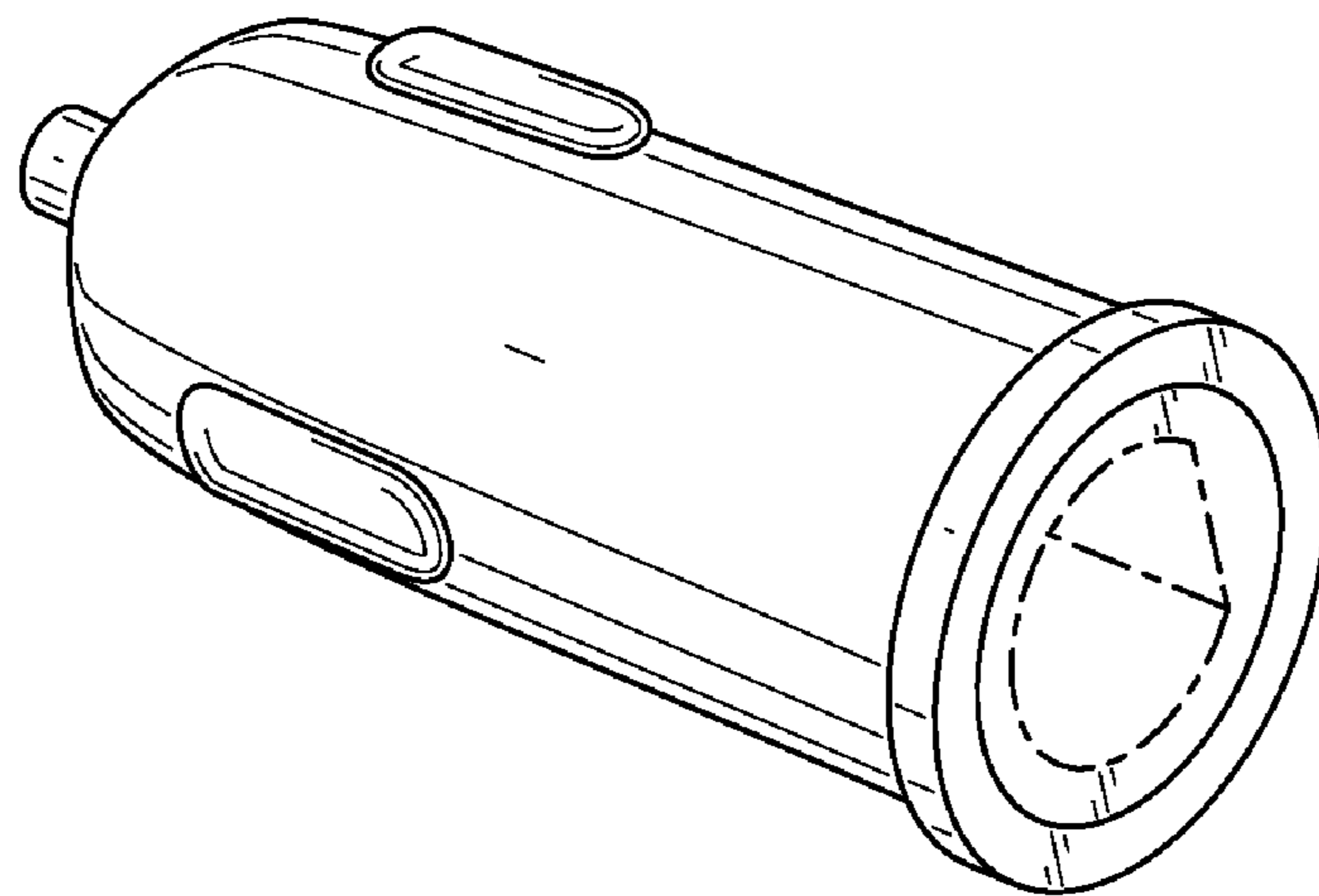


FIG. 2

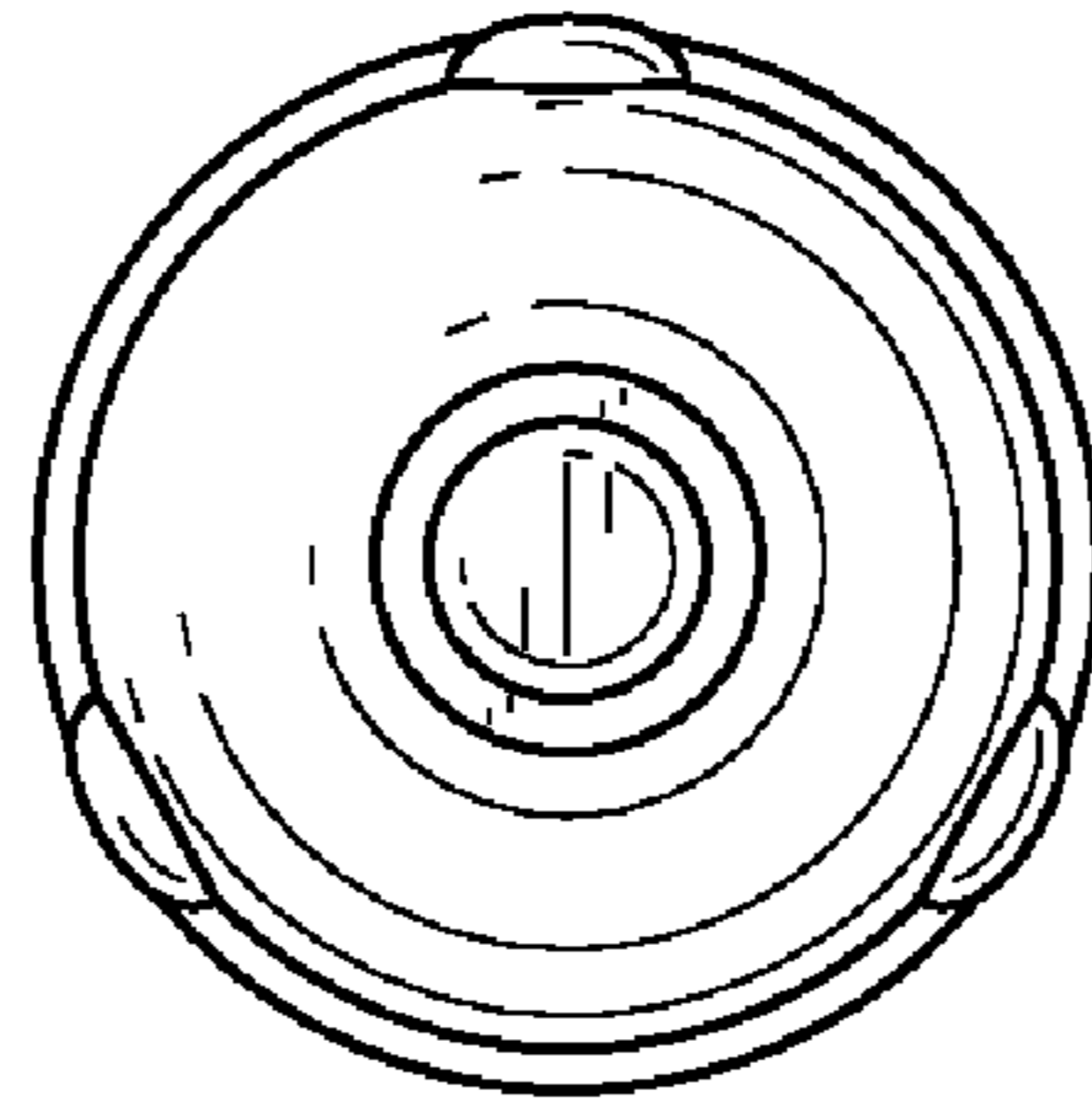


FIG. 3

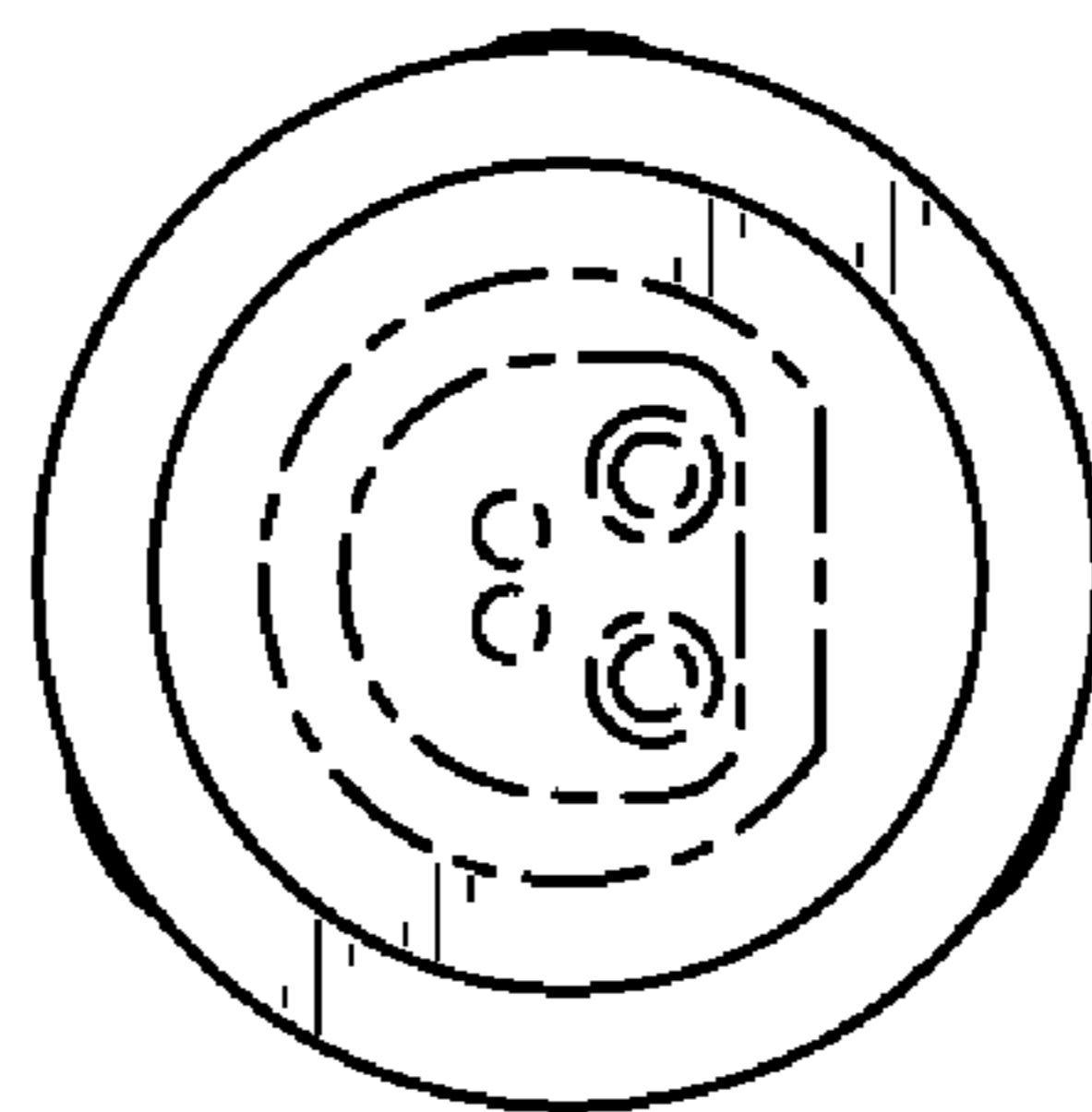


FIG. 4

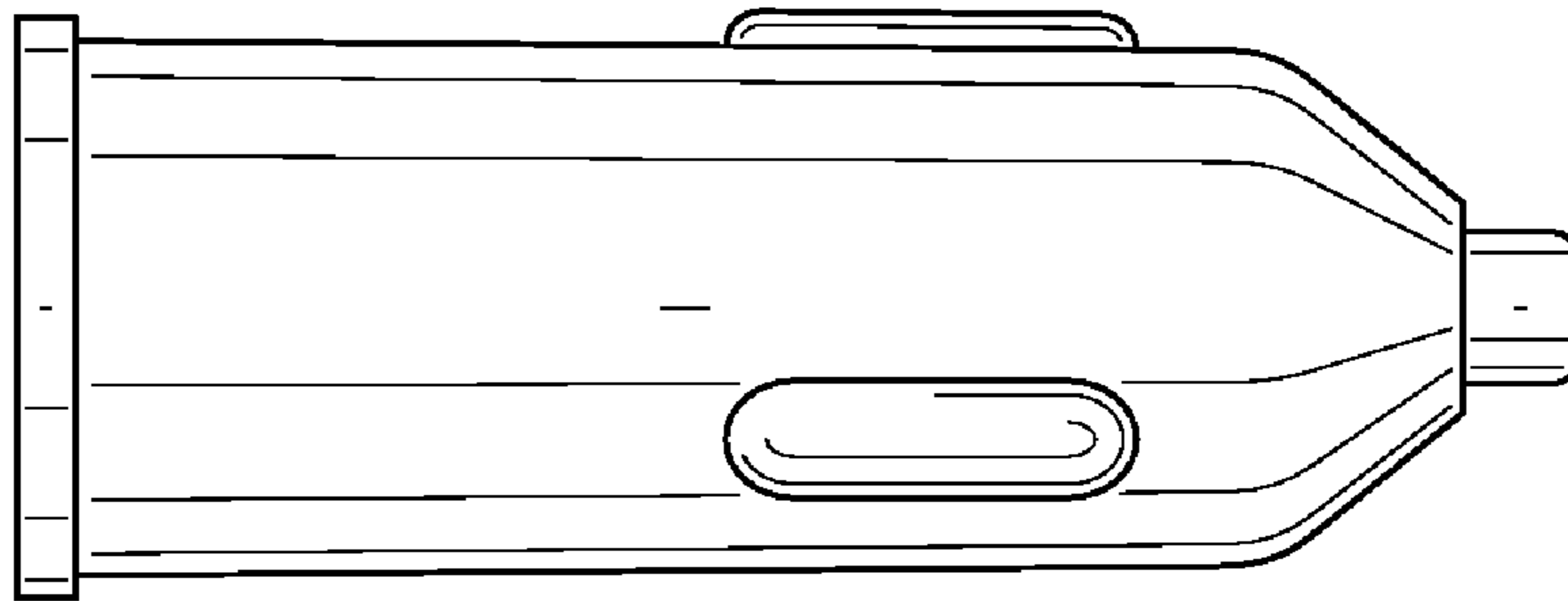


FIG. 5

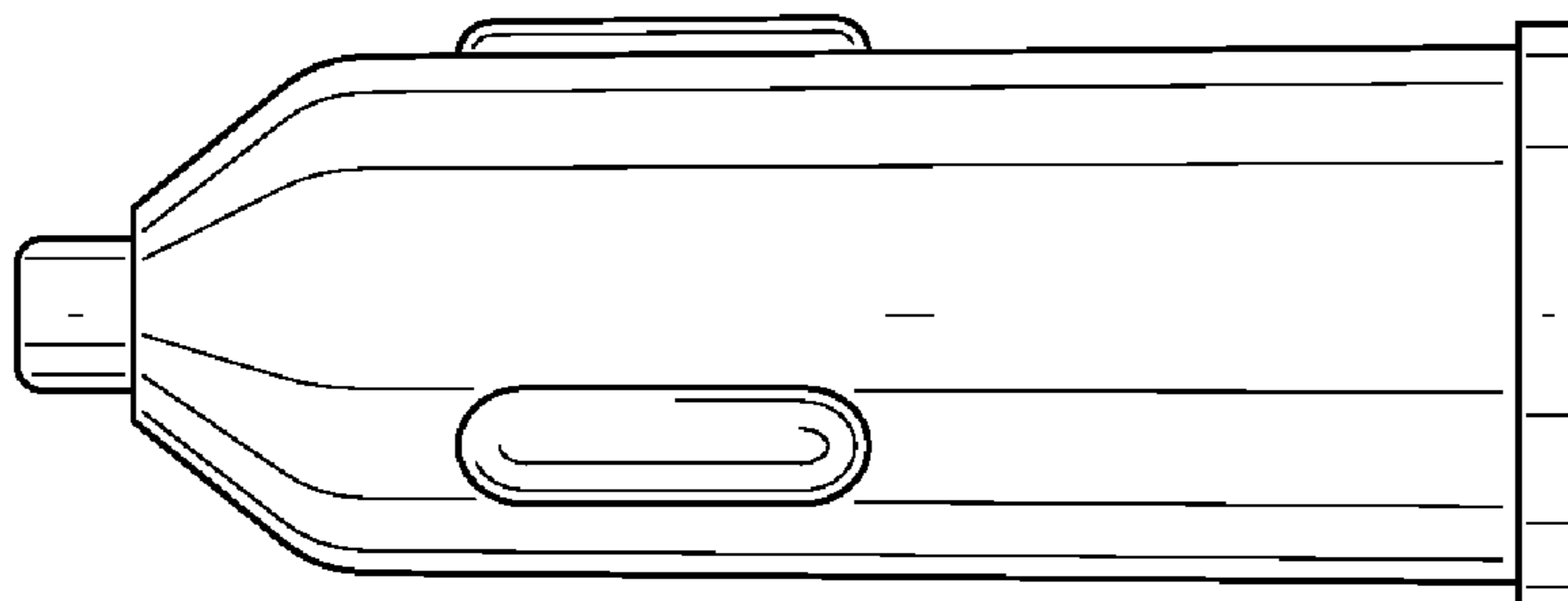


FIG. 6

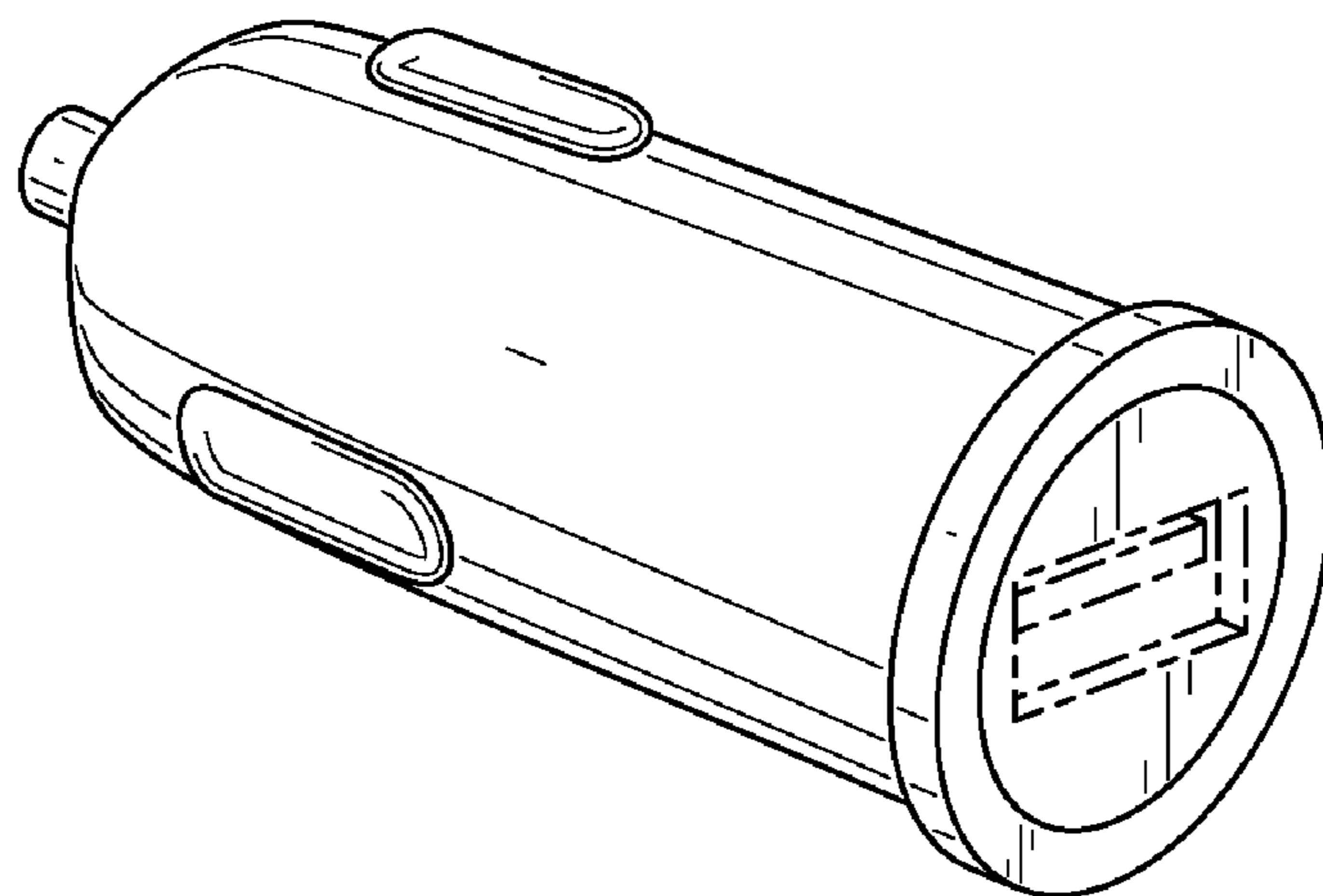


FIG. 7

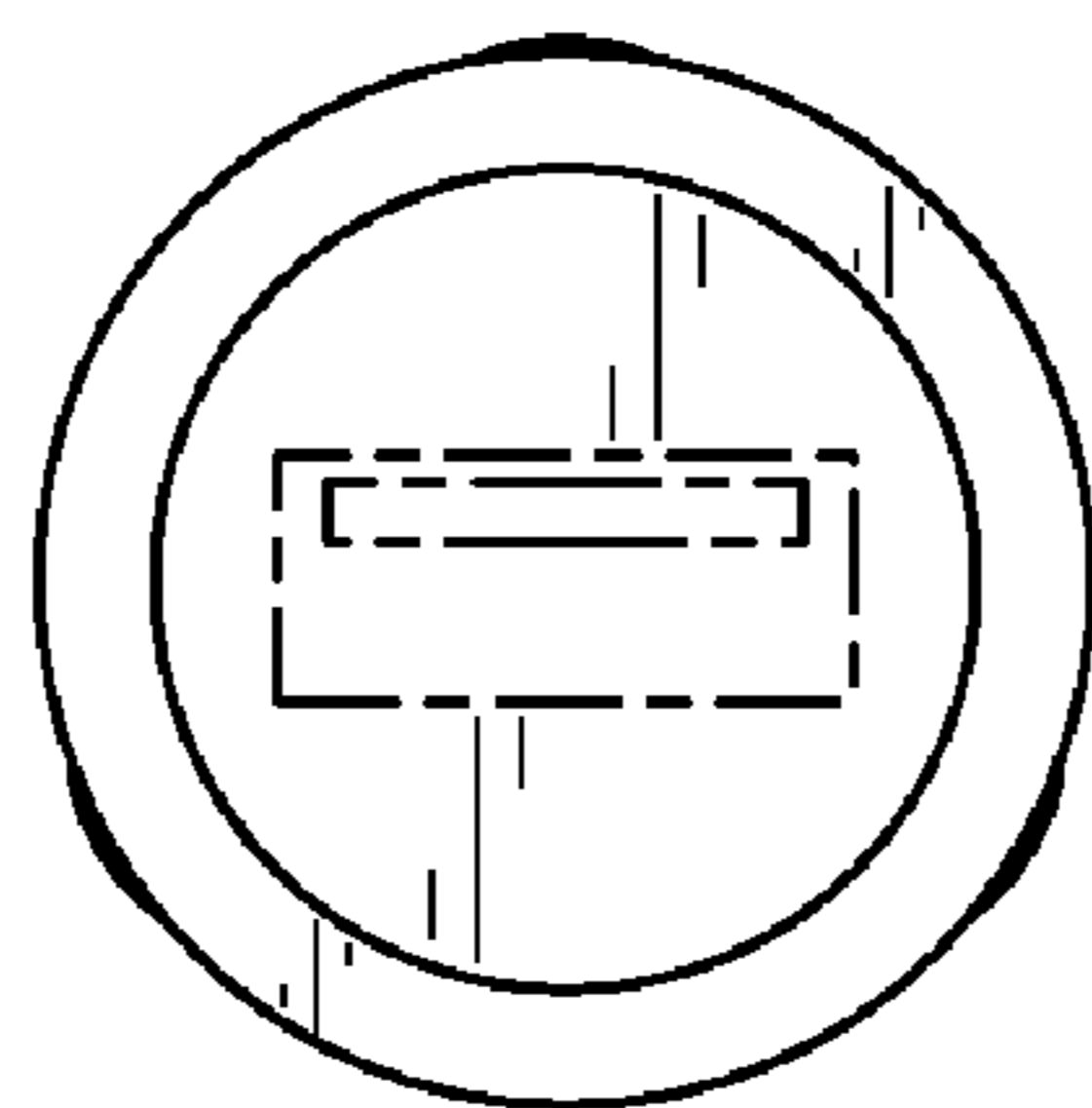


FIG. 8