



US00D585373S

(12) **United States Design Patent**  
**Hung**

(10) **Patent No.:** **US D585,373 S**

(45) **Date of Patent:** **\*\* Jan. 27, 2009**

(54) **BATTERY CONNECTOR**

D559,181 S \* 1/2008 Yan ..... D13/120  
D561,098 S \* 2/2008 Kobayashi ..... D13/120

(75) Inventor: **Pei Chiao Hung**, Tu-Cheng (TW)

\* cited by examiner

(73) Assignee: **Cheng Uei Precision Industry Co., Ltd.**, Taipei Hsien (TW)

*Primary Examiner*—Cathron C Brooks  
*Assistant Examiner*—Rosemary K Tarcza

(\*\*) Term: **14 Years**

(74) *Attorney, Agent, or Firm*—Rosenberg, Klein & Lee

(21) Appl. No.: **29/290,358**

(57) **CLAIM**

(22) Filed: **Nov. 27, 2007**

The ornamental design for a battery connector, as shown and described.

(51) **LOC (9) Cl.** ..... **13-03**

(52) **U.S. Cl.** ..... **D13/120**

(58) **Field of Classification Search** ..... D13/120,  
D13/133, 146–147, 184, 199; 439/108, 577,  
439/630, 660, 680, 773, 862  
See application file for complete search history.

**DESCRIPTION**

(56) **References Cited**

**U.S. PATENT DOCUMENTS**

D419,133	S	*	1/2000	Yoshida et al.	.....	D13/120
D486,448	S	*	2/2004	Watanabe et al.	.....	D13/120
6,702,621	B2	*	3/2004	Yeh	.....	439/660
6,951,488	B2	*	10/2005	Hsieh	.....	439/660
D529,443	S	*	10/2006	Chien	.....	D14/147
D557,212	S	*	12/2007	Huang et al.	.....	D13/120
D559,180	S	*	1/2008	Lai et al.	.....	D13/120

FIG. 1 is a perspective view of a battery connector showing my new design;

FIG. 2 is a front elevational view thereof;

FIG. 3 is a rear elevational view thereof;

FIG. 4 is a left side elevational view thereof;

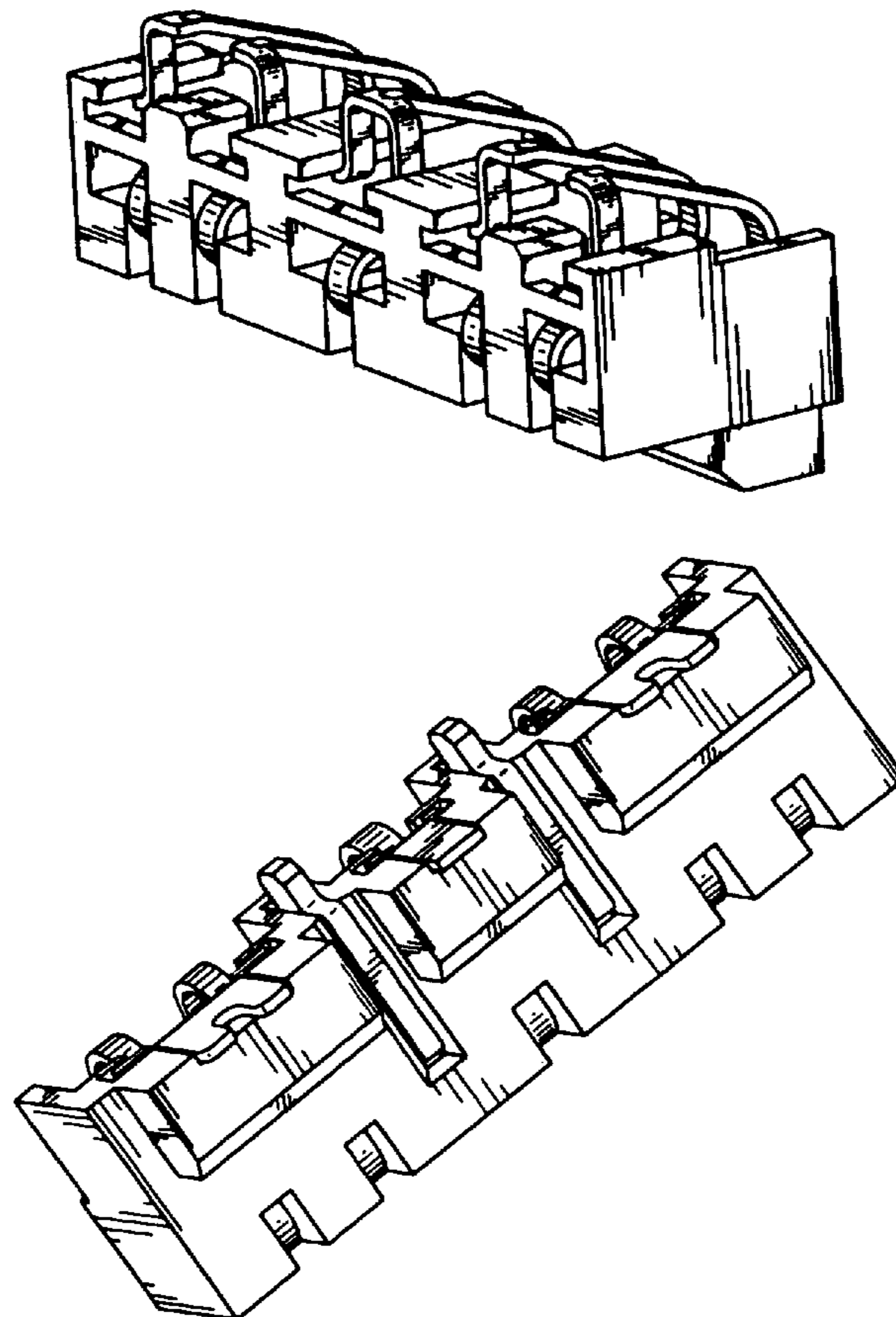
FIG. 5 is a right side elevational view thereof;

FIG. 6 is a top plan view thereof;

FIG. 7 is a bottom plan view thereof; and,

FIG. 8 is another perspective view of the battery connector my new design.

**1 Claim, 8 Drawing Sheets**



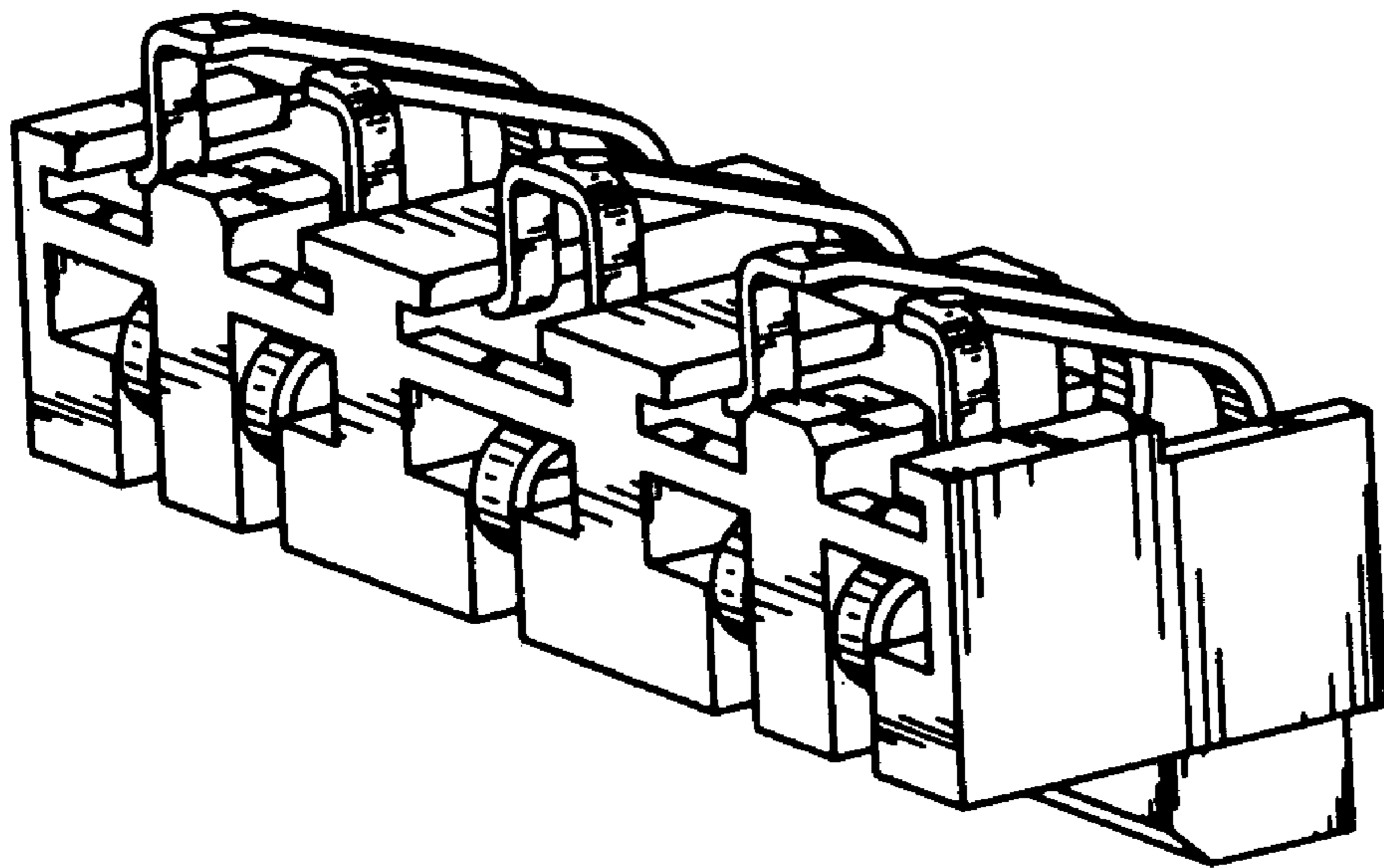


FIG. 1

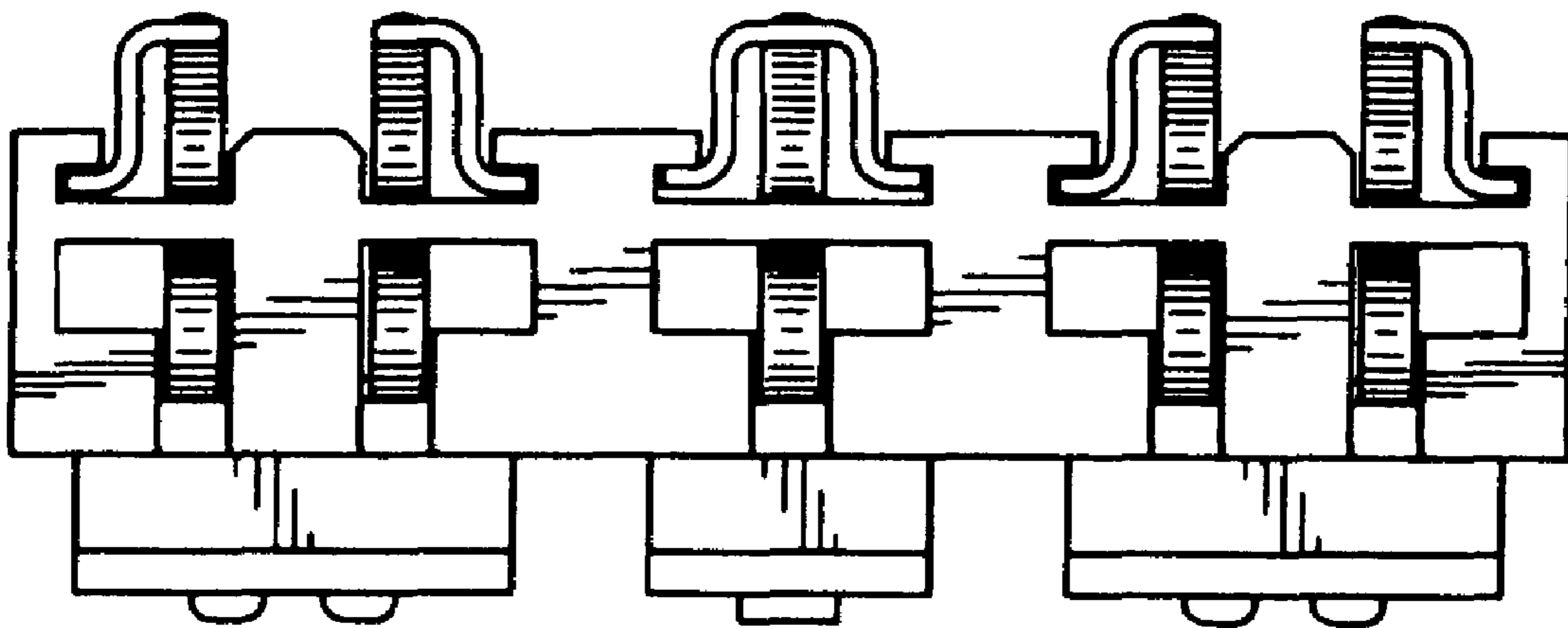


FIG. 2

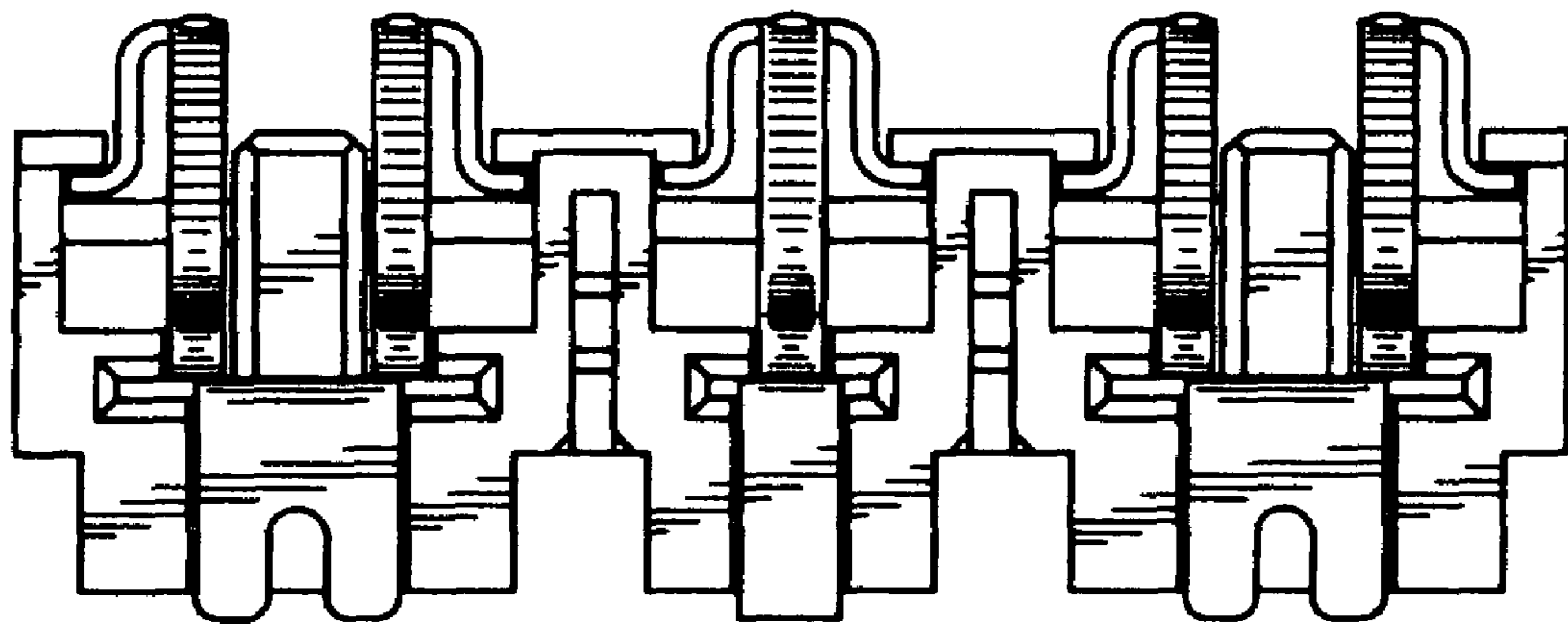


FIG. 3

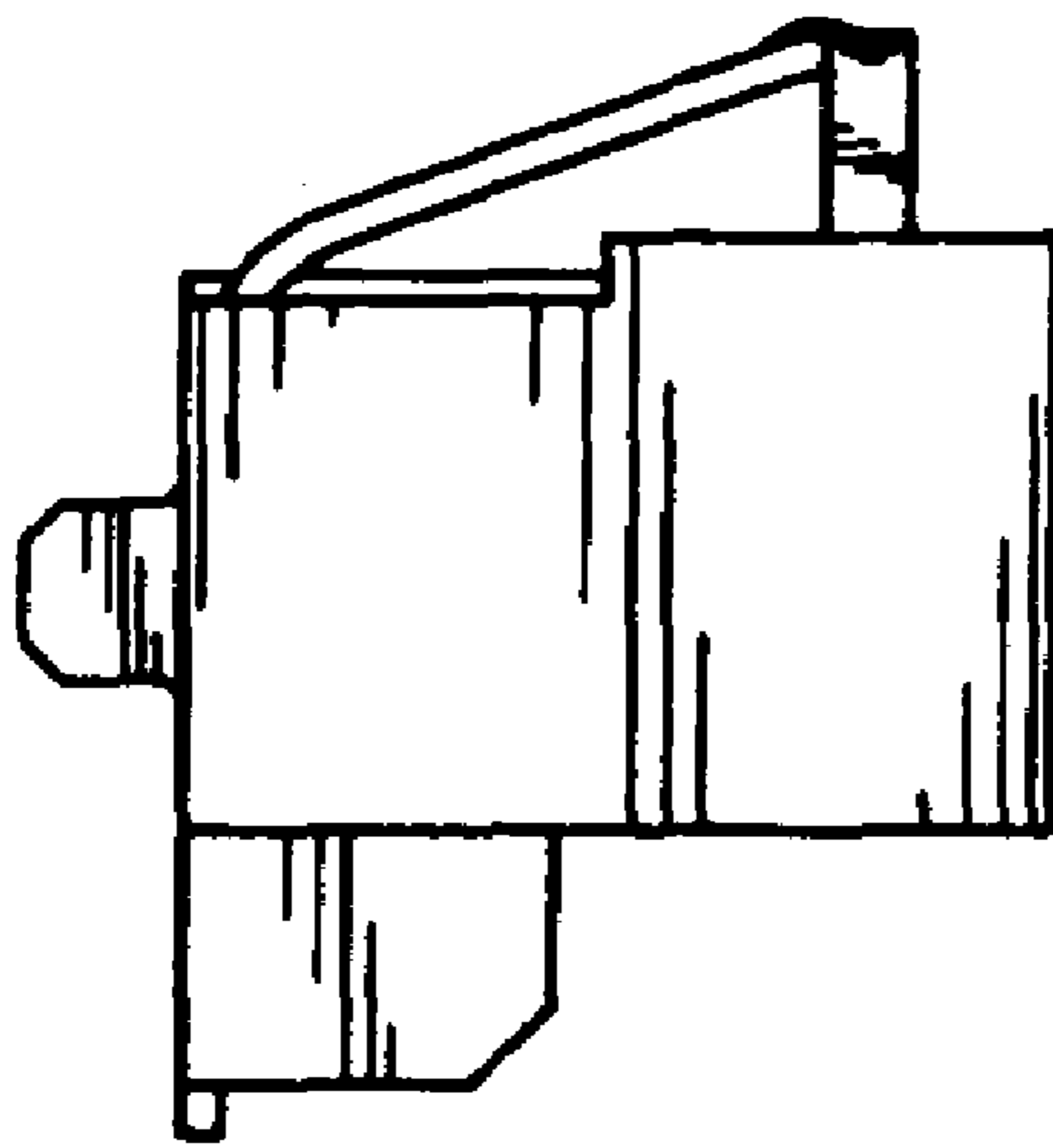


FIG. 4

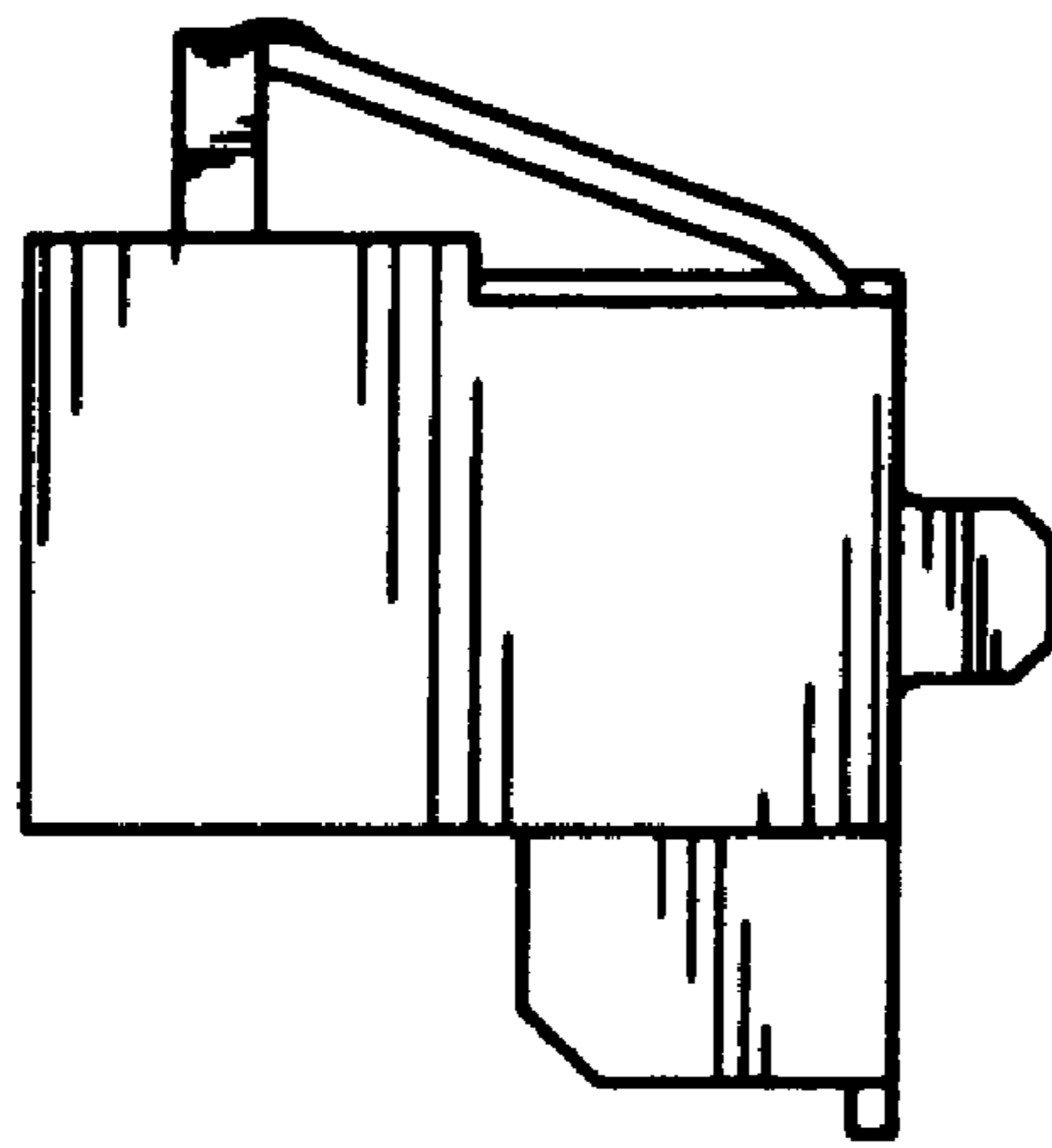


FIG. 5

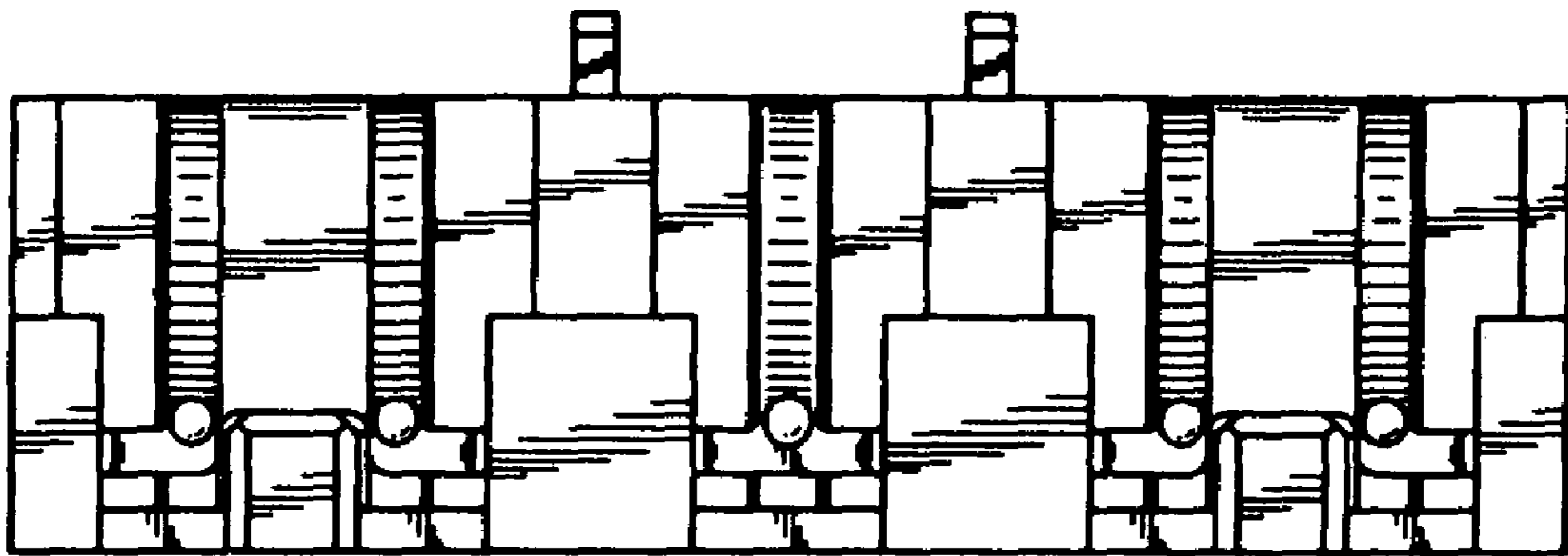


FIG. 6

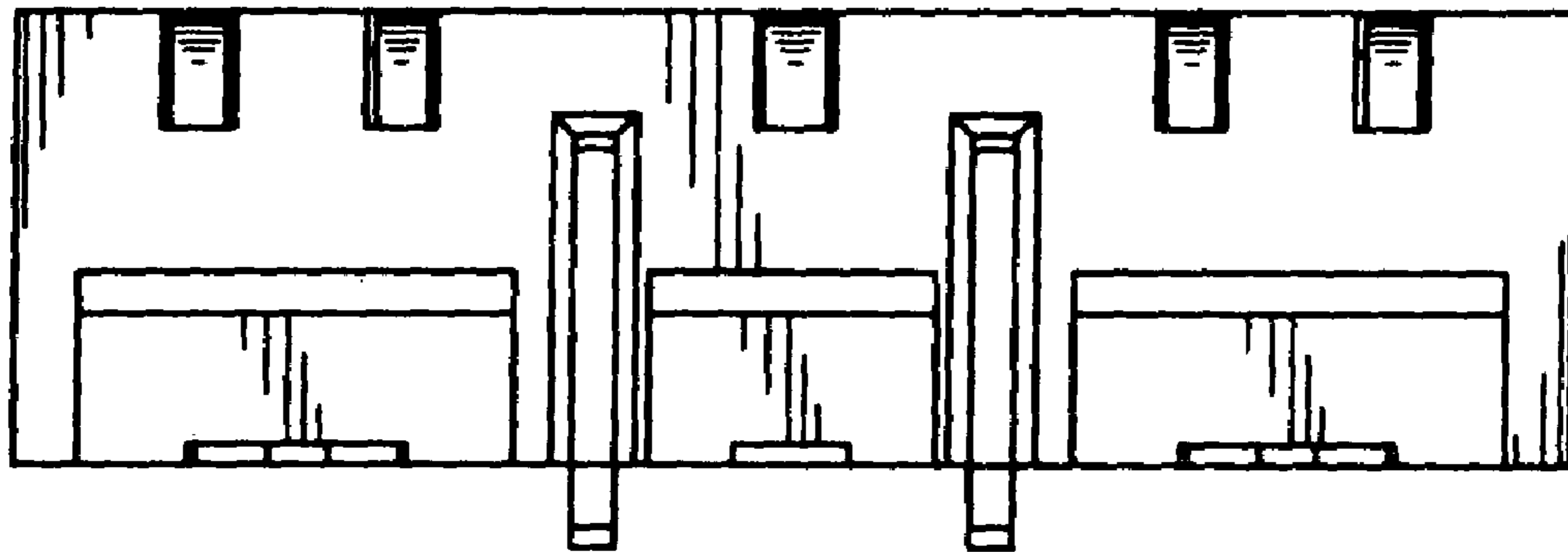


FIG. 7



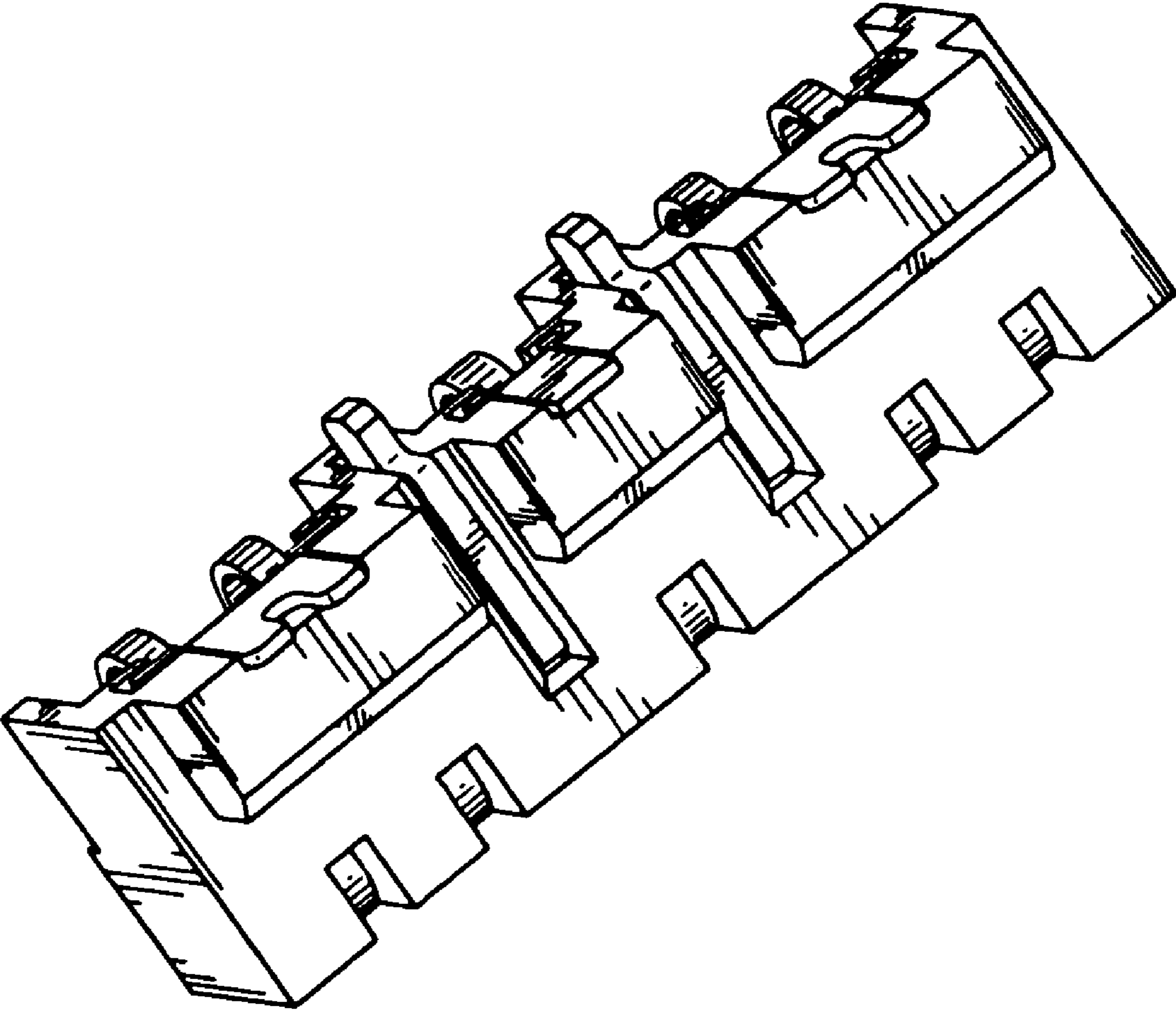


FIG. 8