



US00D585357S

(12) **United States Design Patent**  
**Volkwein**

(10) **Patent No.:** **US D585,357 S**

(45) **Date of Patent:** **\*\* Jan. 27, 2009**

(54) **WATERCRAFT FENDER HOOK**

(76) **Inventor:** **Fred Volkwein**, 409 24<sup>th</sup> St., West Palm Beach, FL (US) 33407

(\*\*) **Term:** **14 Years**

(21) **Appl. No.:** **29/299,697**

(22) **Filed:** **Jan. 2, 2008**

(51) **LOC (9) Cl.** ..... **12-06**

(52) **U.S. Cl.** ..... **D12/317**

(58) **Field of Classification Search** ..... D12/168-172,  
D12/300, 303, 304, 307, 315-318; D8/394,  
D8/395; 114/219, 220, 343, 364  
See application file for complete search history.

(56) **References Cited**

**U.S. PATENT DOCUMENTS**

4,280,435	A *	7/1981	Loomis	.....	114/219
5,493,983	A *	2/1996	Hurt	.....	114/364
D453,294	S *	2/2002	Bitzer	.....	D8/395
6,863,011	B2 *	3/2005	Kinkead	.....	114/219
7,293,518	B1 *	11/2007	Gassew	.....	114/219
D557,651	S *	12/2007	Gassew	.....	D12/317

\* cited by examiner

*Primary Examiner*—Holly H Baynham

*Assistant Examiner*—Cynthia M Chin

(74) *Attorney, Agent, or Firm*—McHale & Slavin, P.A.

(57) **CLAIM**

The ornamental design for a watercraft fender hook, as shown and described.

**DESCRIPTION**

FIG. 1 is a rear perspective view of the watercraft fender hook of the instant invention;

FIG. 2 is a rear view thereof;

FIG. 3 is a front view thereof;

FIG. 4 is a left side view thereof;

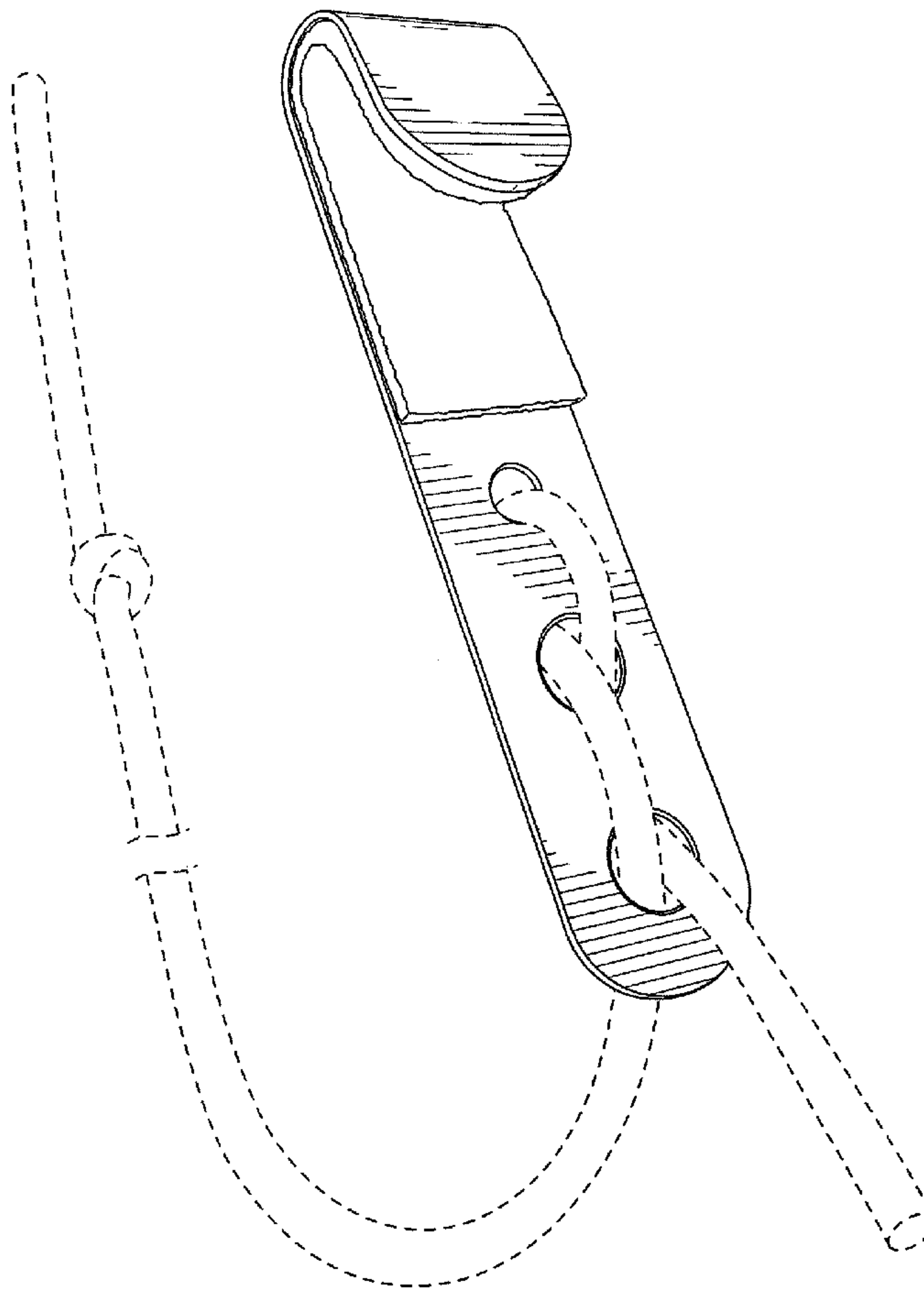
FIG. 5 is a right side view thereof;

FIG. 6 is a bottom view thereof; and,

FIG. 7 is a top view thereof.

The portions of the figure illustrated in broken lines are for environmental purposes only and form no part of the claimed subject matter.

**1 Claim, 6 Drawing Sheets**



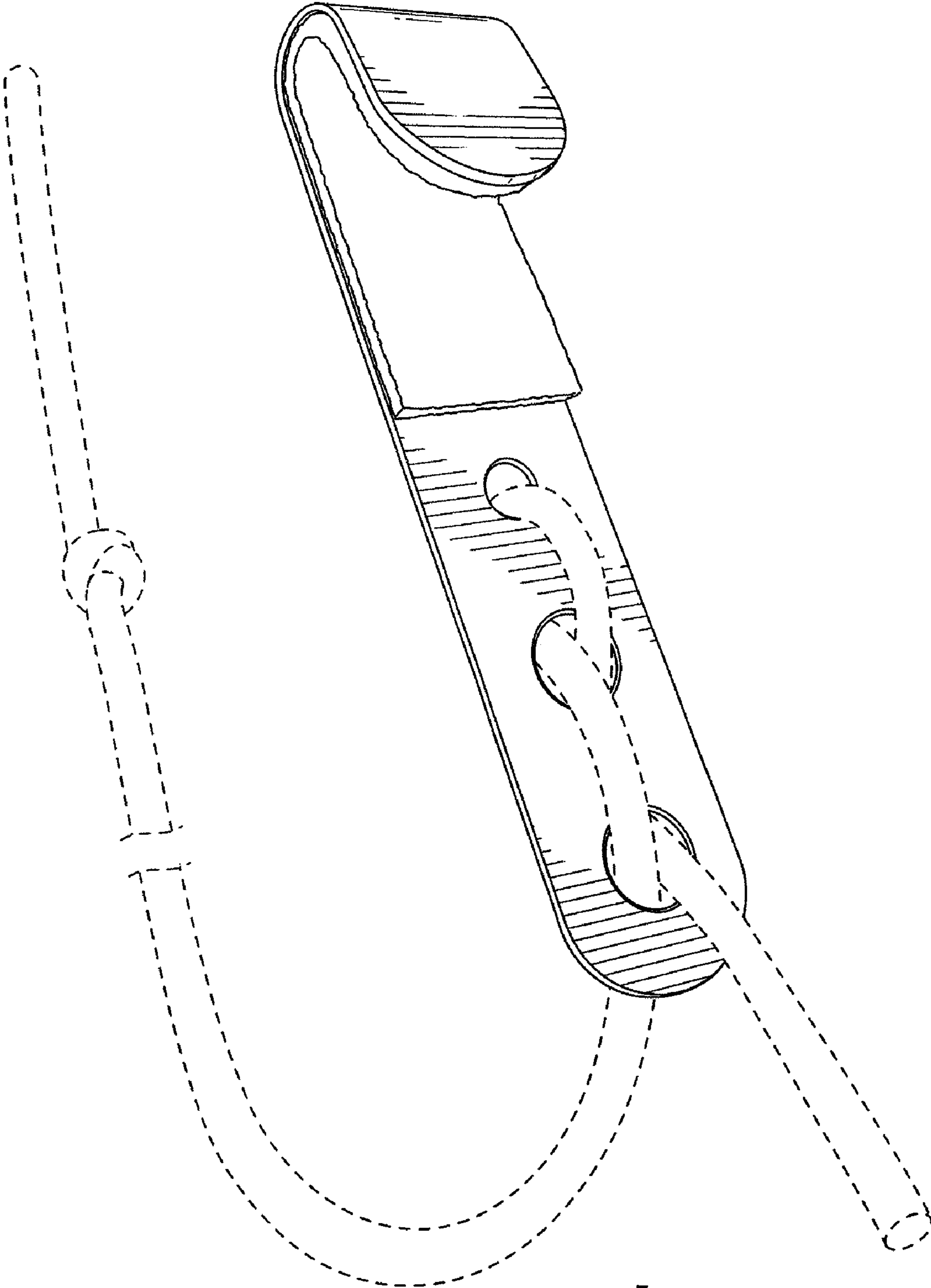


FIG. 1

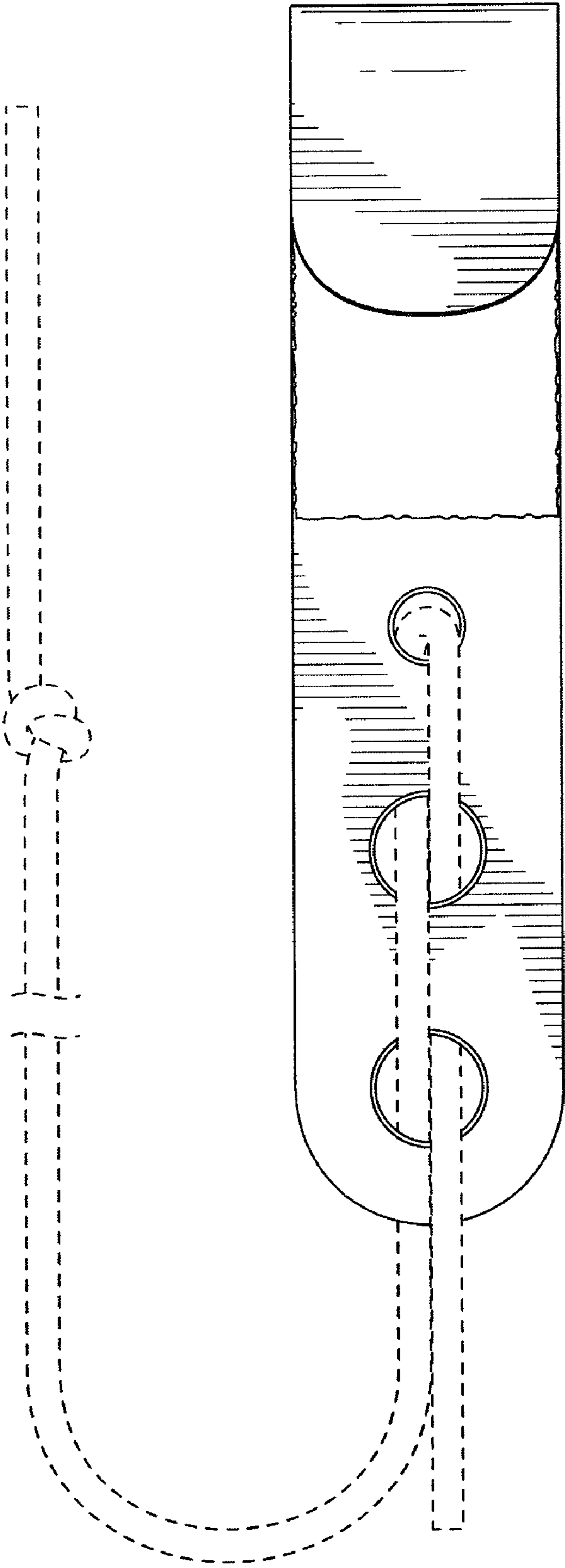


FIG. 2

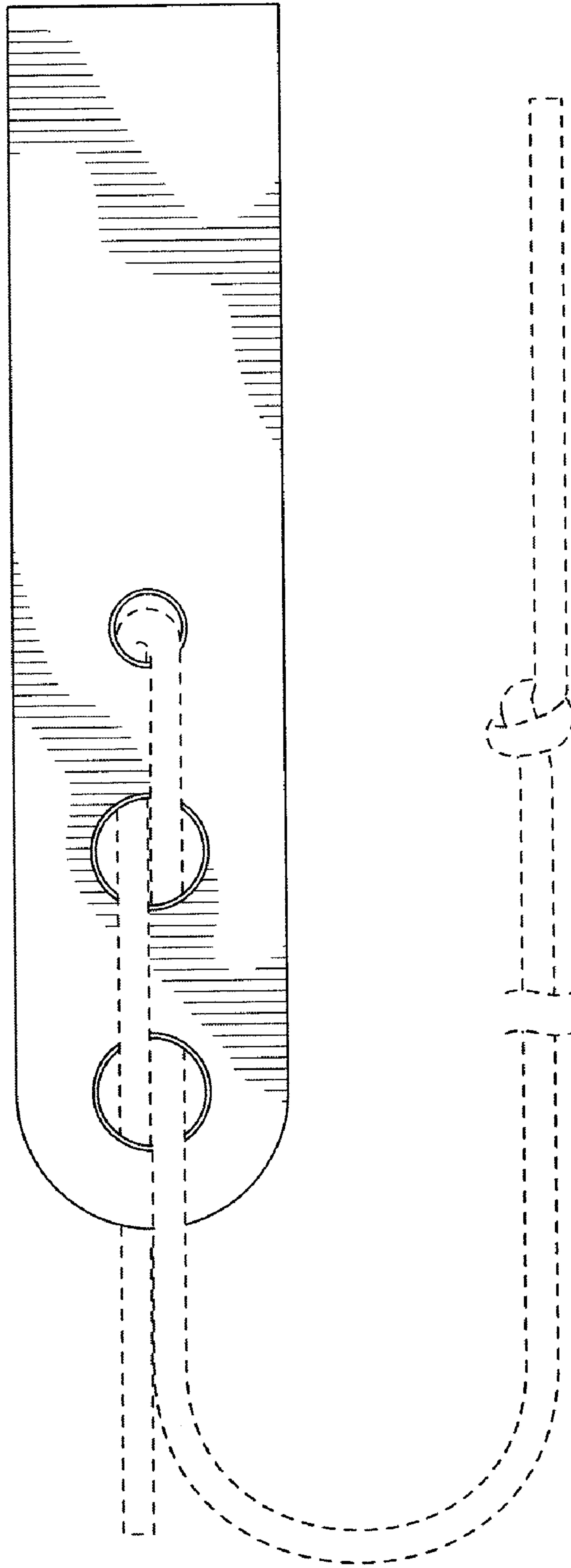
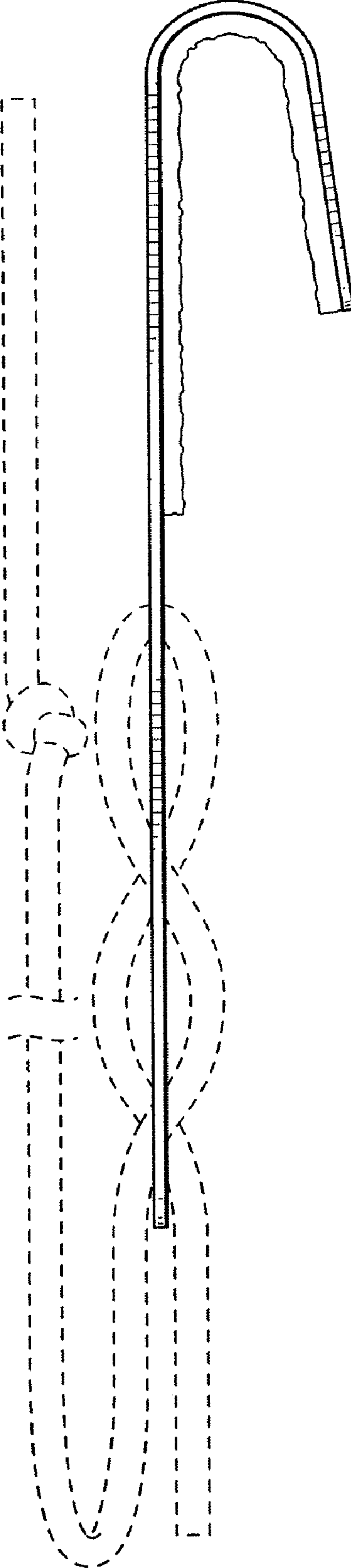


FIG. 3



**FIG. 4**

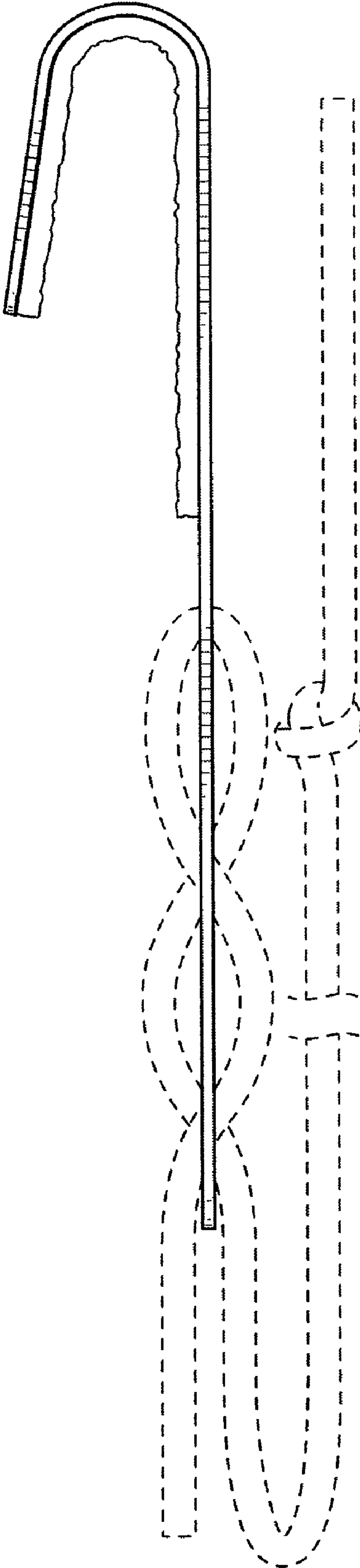


FIG. 5

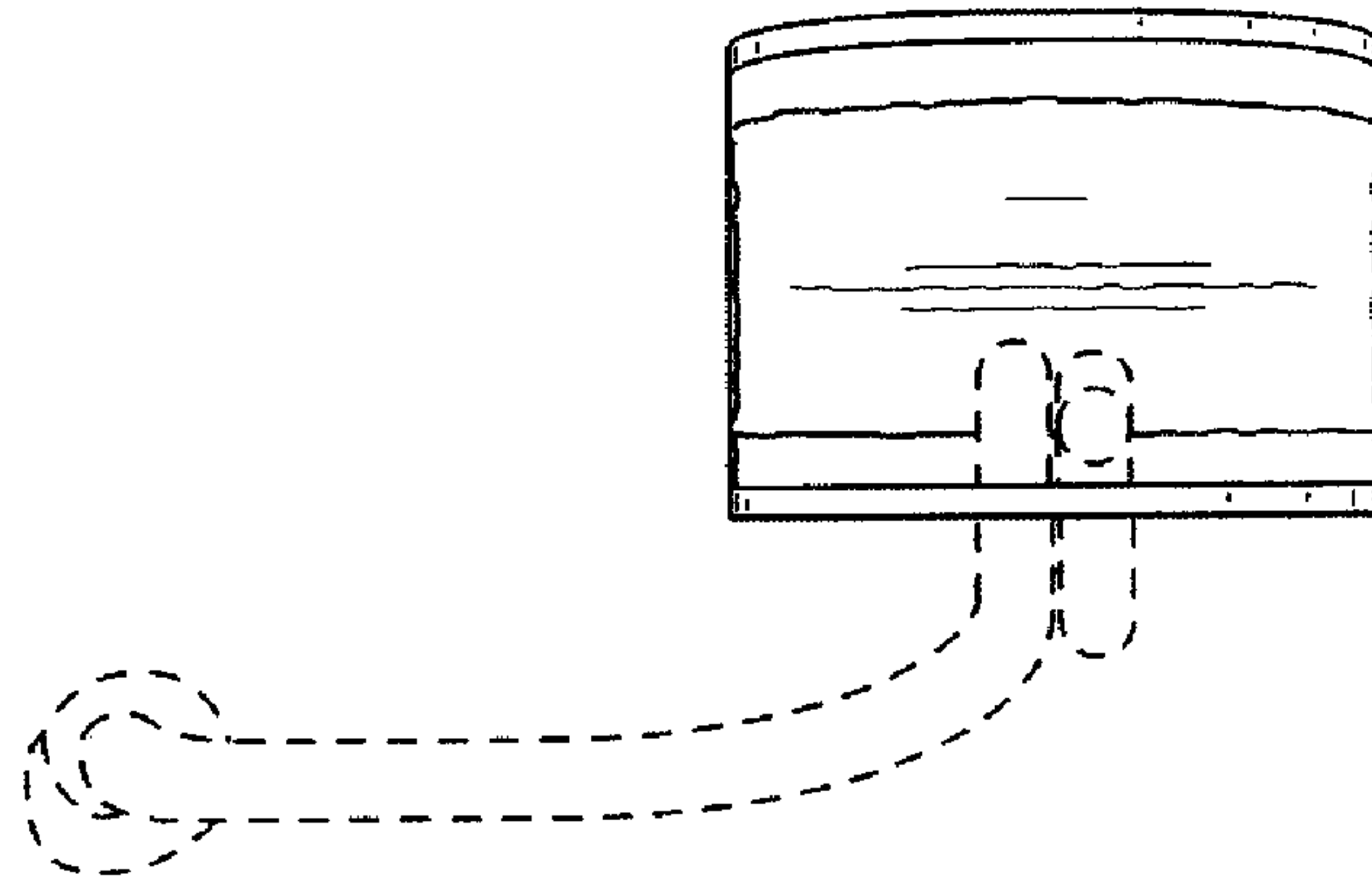


FIG. 6

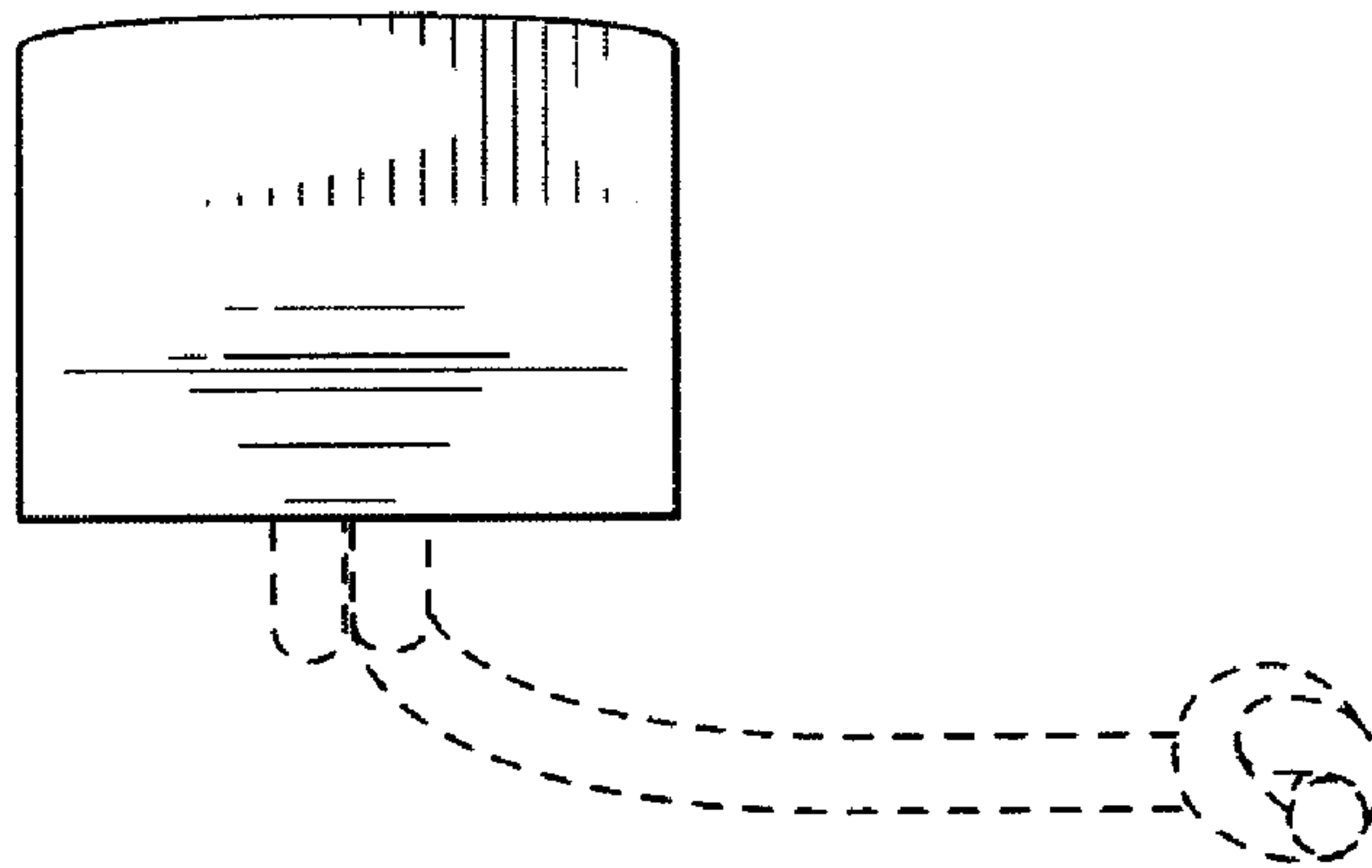


FIG. 7