



US00D585352S

(12) **United States Design Patent**  
**Scheu**

(10) **Patent No.:** **US D585,352 S**  
(45) **Date of Patent:** **\*\* Jan. 27, 2009**

(54) **FRONT FACE OF A VEHICLE WHEEL**

(75) Inventor: **Armin Scheu**, Stuttgart (DE)

(73) Assignee: **Daimler AG**, Stuttgart (DE)

(\*\*) Term: **14 Years**

(21) Appl. No.: **29/290,712**

(22) Filed: **Jan. 4, 2008**

(30) **Foreign Application Priority Data**

Jul. 5, 2007 (EM) ..... 000752571-0002

(51) **LOC (9) Cl.** ..... **12-16**

(52) **U.S. Cl.** ..... **D12/211**

(58) **Field of Classification Search** ..... D12/204-213;  
301/37.101, 64.101, 65, 64.201

See application file for complete search history.

(56) **References Cited**

**U.S. PATENT DOCUMENTS**

- D428,380 S \* 7/2000 Chinellato ..... D12/211
- D451,066 S \* 11/2001 Pfeiffer et al. .... D12/211
- D482,647 S \* 11/2003 Lecher et al. .... D12/211
- D504,102 S \* 4/2005 Cheng ..... D12/211
- D506,967 S \* 7/2005 Kamimura ..... D12/211

- D515,494 S \* 2/2006 Laengerer ..... D12/211
- D521,922 S \* 5/2006 Scheu ..... D12/211
- D525,578 S \* 7/2006 Schell ..... D12/211
- D537,766 S \* 3/2007 Laengerer et al. .... D12/211
- D548,166 S \* 8/2007 Young ..... D12/211
- D580,334 S \* 11/2008 Blasi ..... D12/211

\* cited by examiner

*Primary Examiner*—Stacia Cadmus

(74) *Attorney, Agent, or Firm*—Crowell & Moring LLP

(57) **CLAIM**

The ornamental design for a front face of a vehicle wheel, as shown and described.

**DESCRIPTION**

FIG. 1 is a front view of a first embodiment of a front face of a vehicle wheel according to my novel design; and

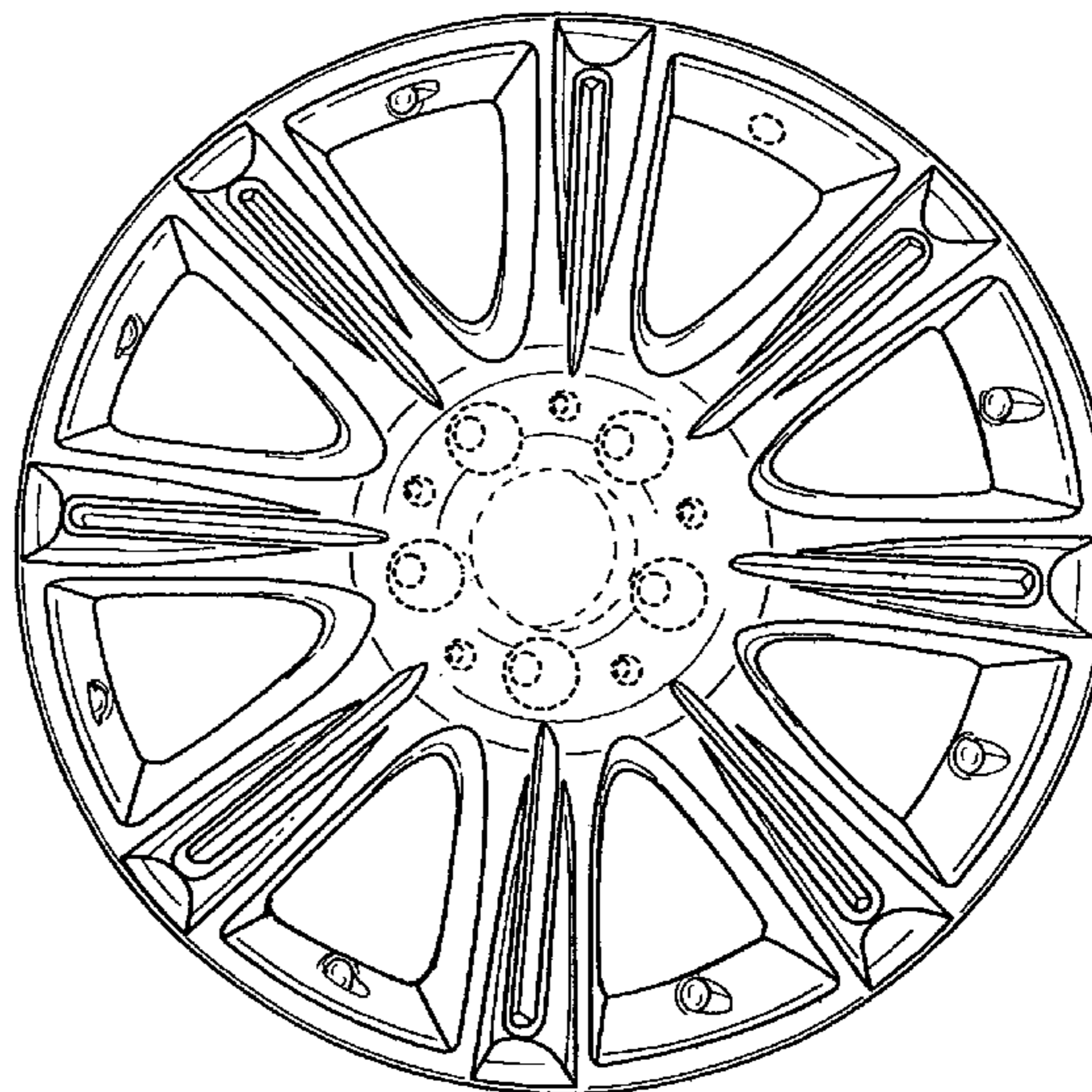
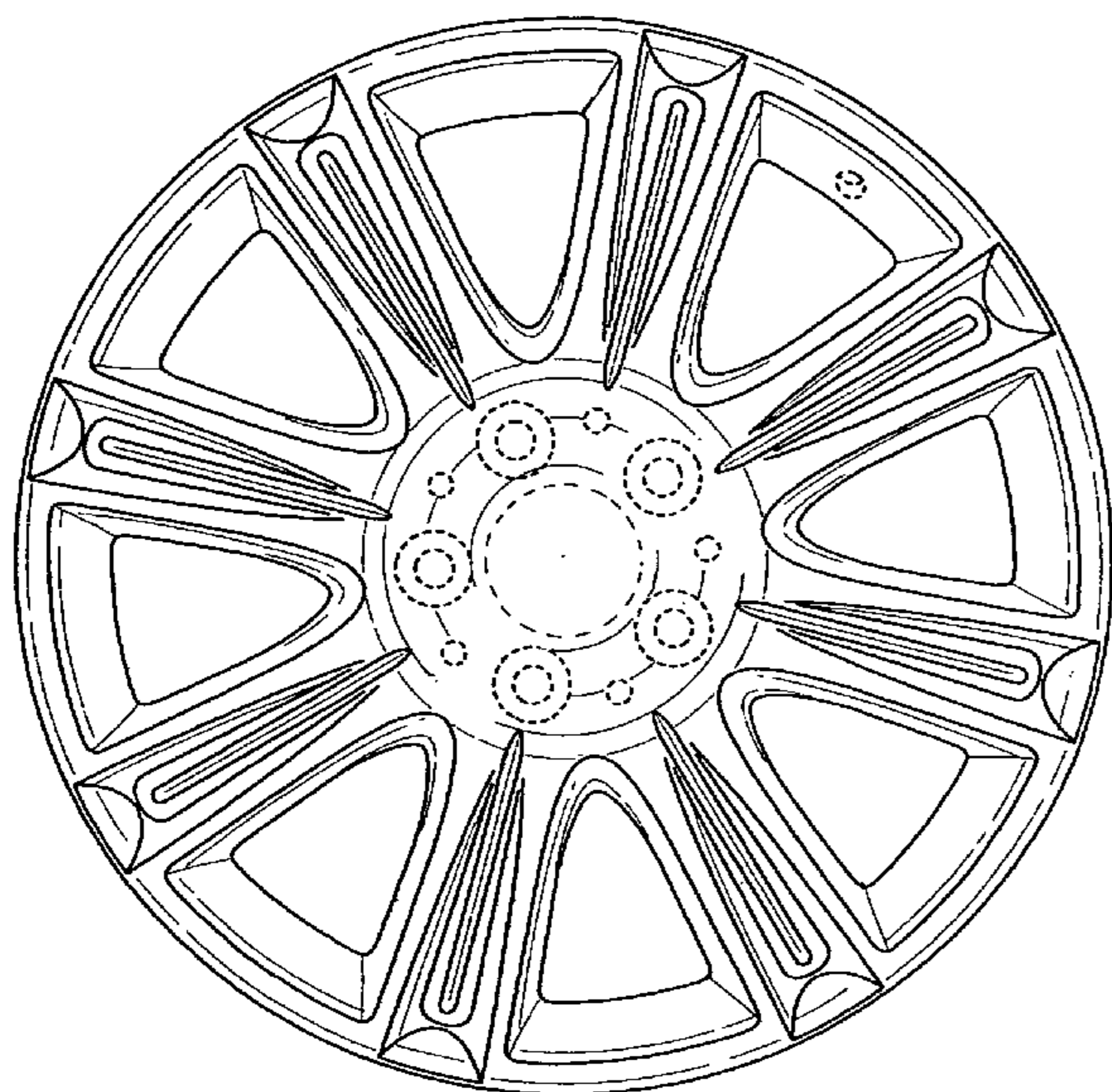
FIG. 2 is a perspective view thereof.

FIG. 3 is a front view of a second embodiment of the front face of a vehicle wheel according to my novel design; and,

FIG. 4 is a perspective view thereof.

The broken line showing of the bolt holes and center cap in the central hub area is included for the purpose of illustrating environment and forms no part of the claimed design.

**1 Claim, 2 Drawing Sheets**



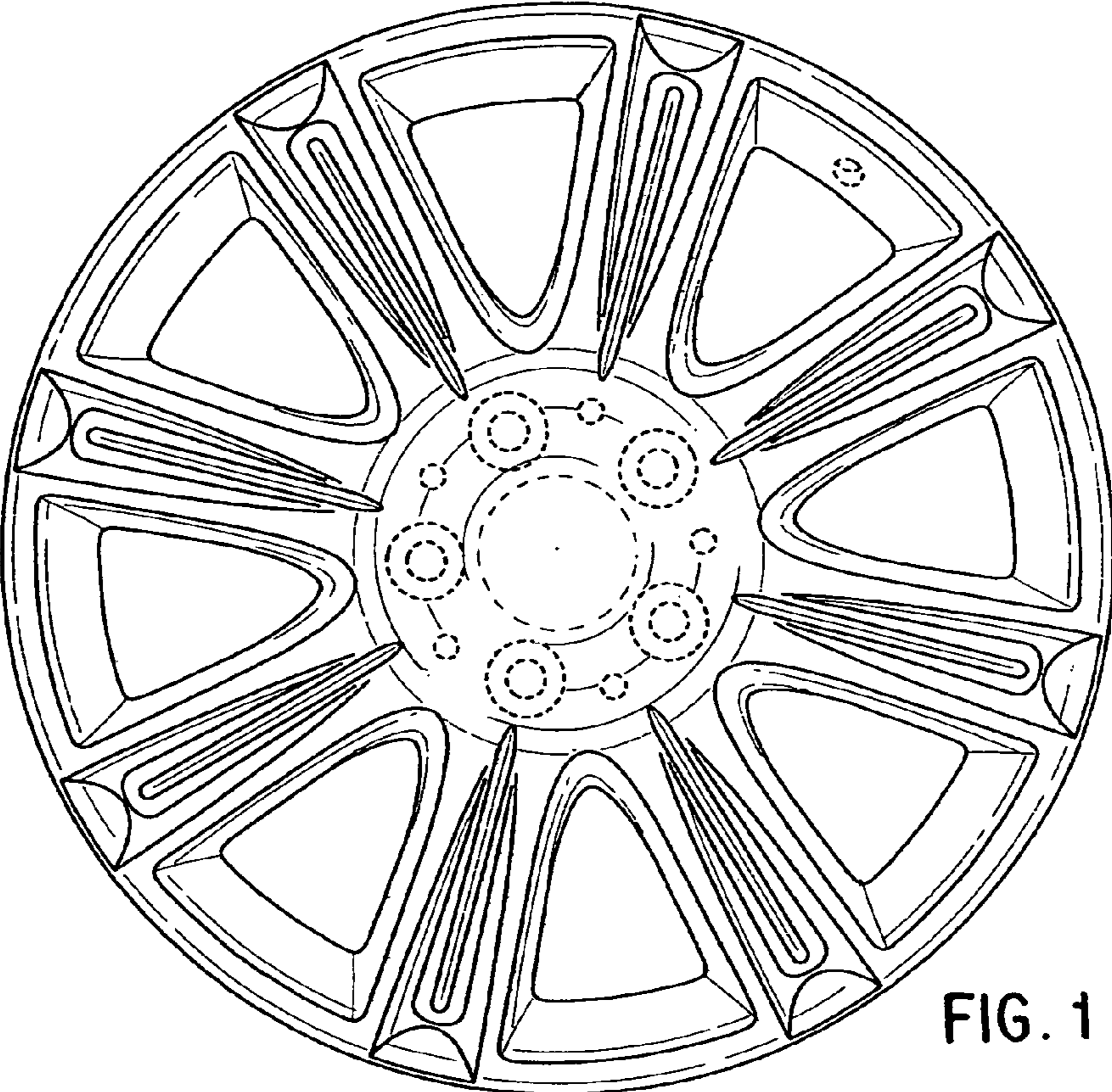


FIG. 1

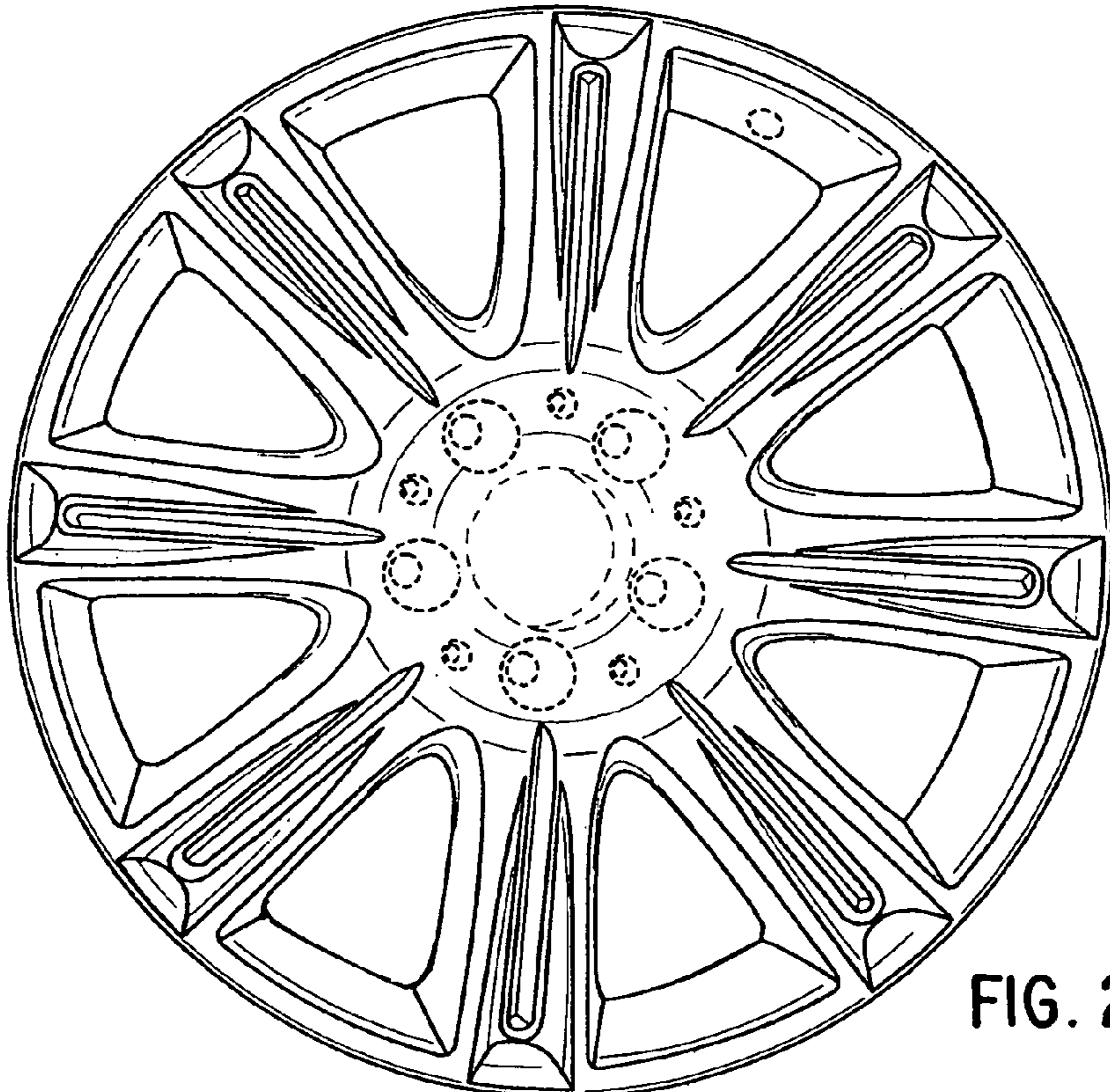


FIG. 2

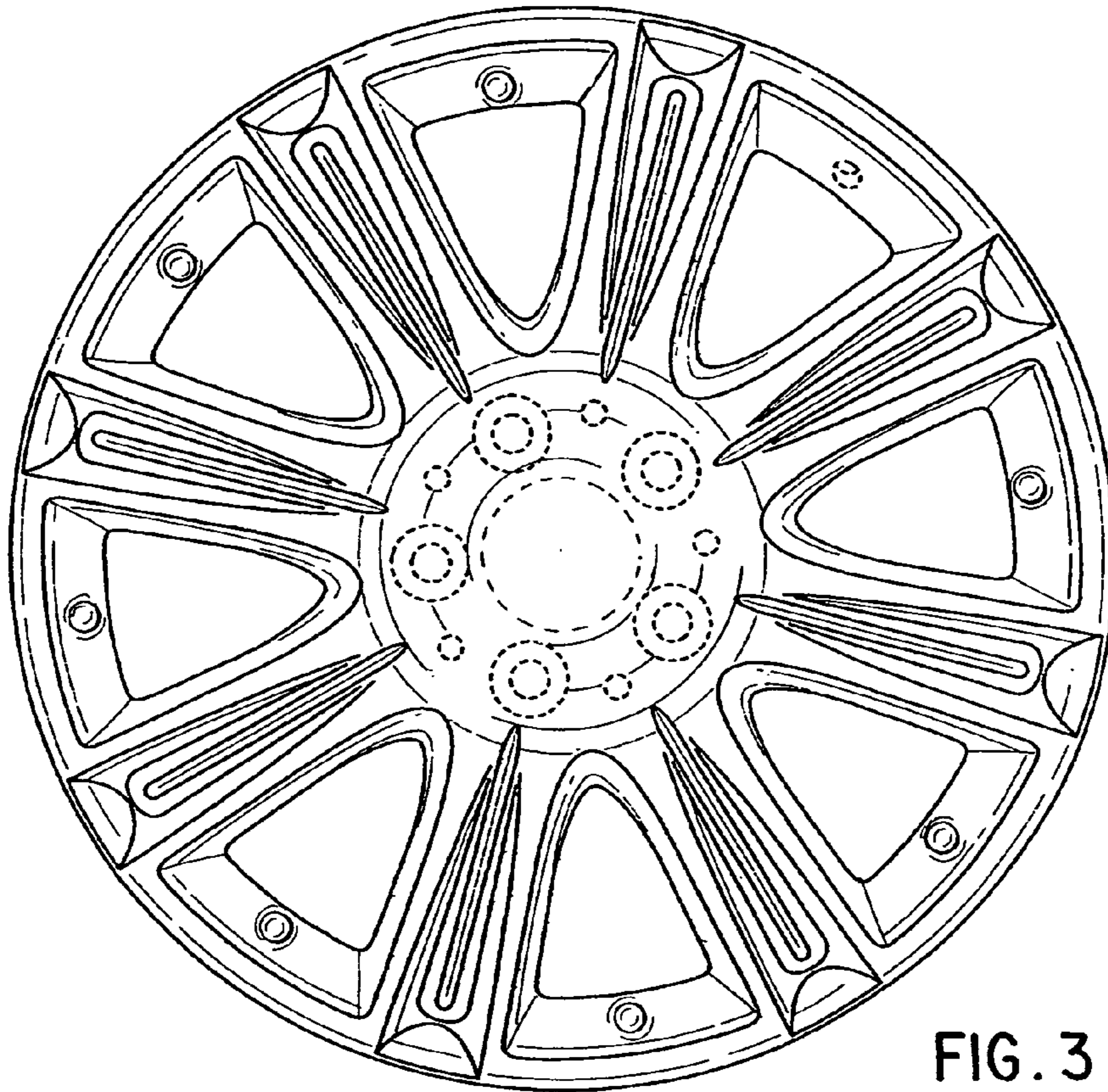


FIG. 3

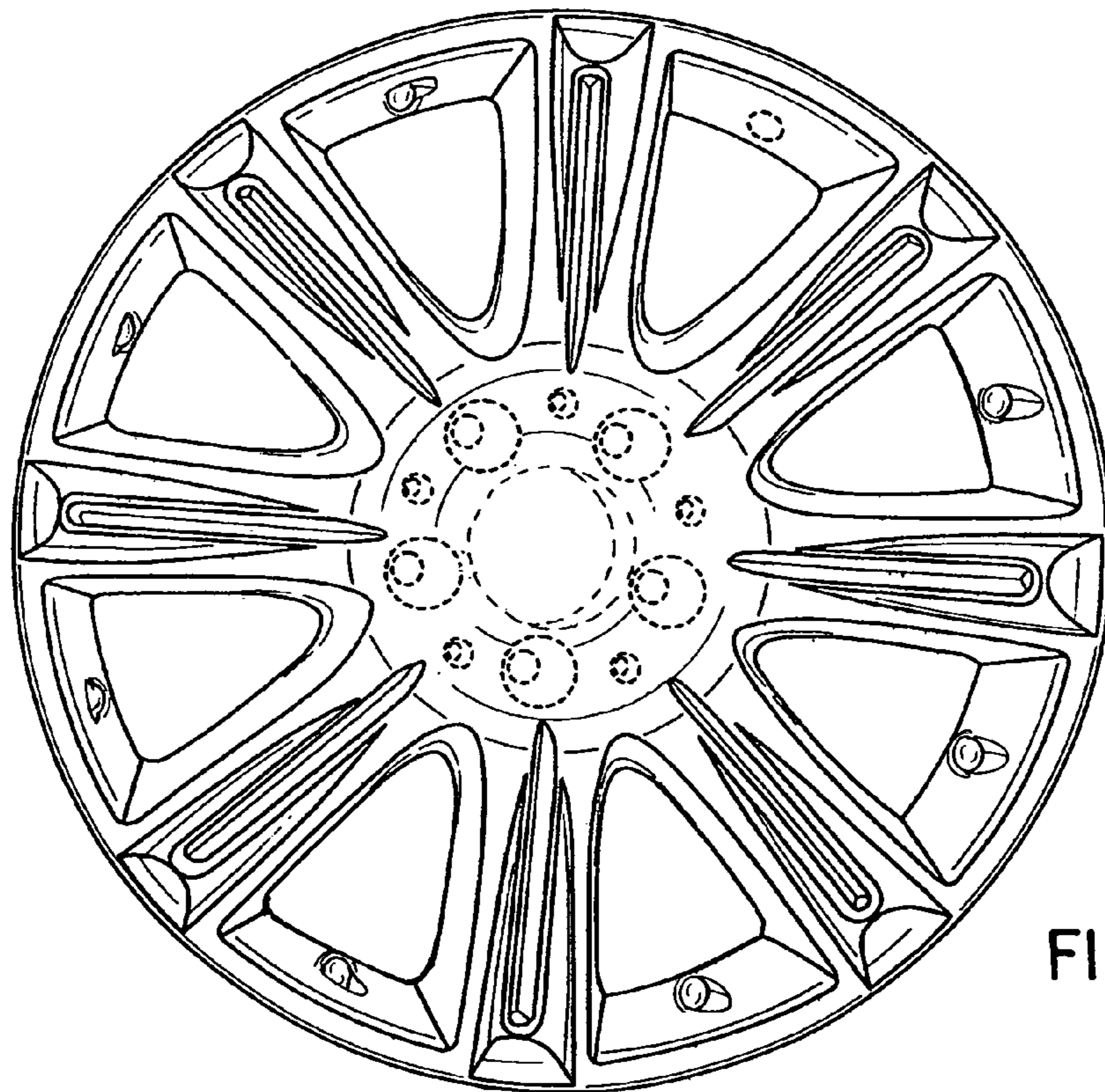


FIG. 4