



US00D585350S

(12) **United States Design Patent**  
**Coletti**

(10) **Patent No.:** **US D585,350 S**  
(45) **Date of Patent:** **\*\* Jan. 27, 2009**

(54) **STEP FOR PICKUP TRUCK TAILGATE**

(74) *Attorney, Agent, or Firm*—Harry I. Leon

(76) **Inventor:** **Donn K. Coletti**, 2588 Andover Dr.,  
Atlanta, GA (US) 30360

(57) **CLAIM**

The ornamental design for a step for pickup truck tailgate, as shown and described.

(\*\*) **Term:** **14 Years**

(21) **Appl. No.:** **29/310,344**

**DESCRIPTION**

(22) **Filed:** **Aug. 11, 2008**

FIGS. 1 and 2 are perspective views of the step for pickup truck tailgate in its use position according to the present invention, the dashed line of a person using the step and sections of a truck being shown for illustrative purposes only and not forming part of the claimed design;

(51) **LOC (9) Cl.** ..... **12-16**

(52) **U.S. Cl.** ..... **D12/203**

(58) **Field of Classification Search** ..... D12/203;  
D25/62, 63, 69; 182/90, 92, 150, 96, 127,  
182/88; 280/163, 165, 164.1, 164.2, 166;  
296/62, 57.1; 293/117; 105/430, 487, 449  
See application file for complete search history.

FIGS. 3 and 4 are front and top perspective views of the tailgate step in its use position according to FIG. 1, respectively;

(56) **References Cited**

**U.S. PATENT DOCUMENTS**

3,756,622	A *	9/1973	Pyle et al. ....	280/166
D296,887	S *	7/1988	Walling et al. ....	D12/203
D394,628	S *	5/1998	Wentzel ....	D12/203
D448,335	S *	9/2001	Ehnes ....	D12/203
6,422,342	B1 *	7/2002	Armstrong et al. ....	182/127
D494,117	S *	8/2004	Ruffin ....	D12/203
6,840,526	B2 *	1/2005	Anderson et al. ....	280/166
6,857,680	B2 *	2/2005	Fielding ....	296/62
D520,429	S *	5/2006	Woodard ....	D12/203
D537,399	S *	2/2007	Riddle ....	D12/203
7,293,788	B1 *	11/2007	Bosley et al. ....	280/163
D573,929	S *	7/2008	Black ....	D12/203

FIGS. 5 and 6 are right side and top perspective views of the tailgate step in its use position according to FIG. 1, respectively;

FIGS. 7 and 8 are right and left side elevation views, respectively, of the tailgate step in its use position according to FIG. 1;

\* cited by examiner

FIGS. 9 and 10 are right side elevation views of the tailgate step according to FIG. 1, in which the unfolding of the step is illustrated;

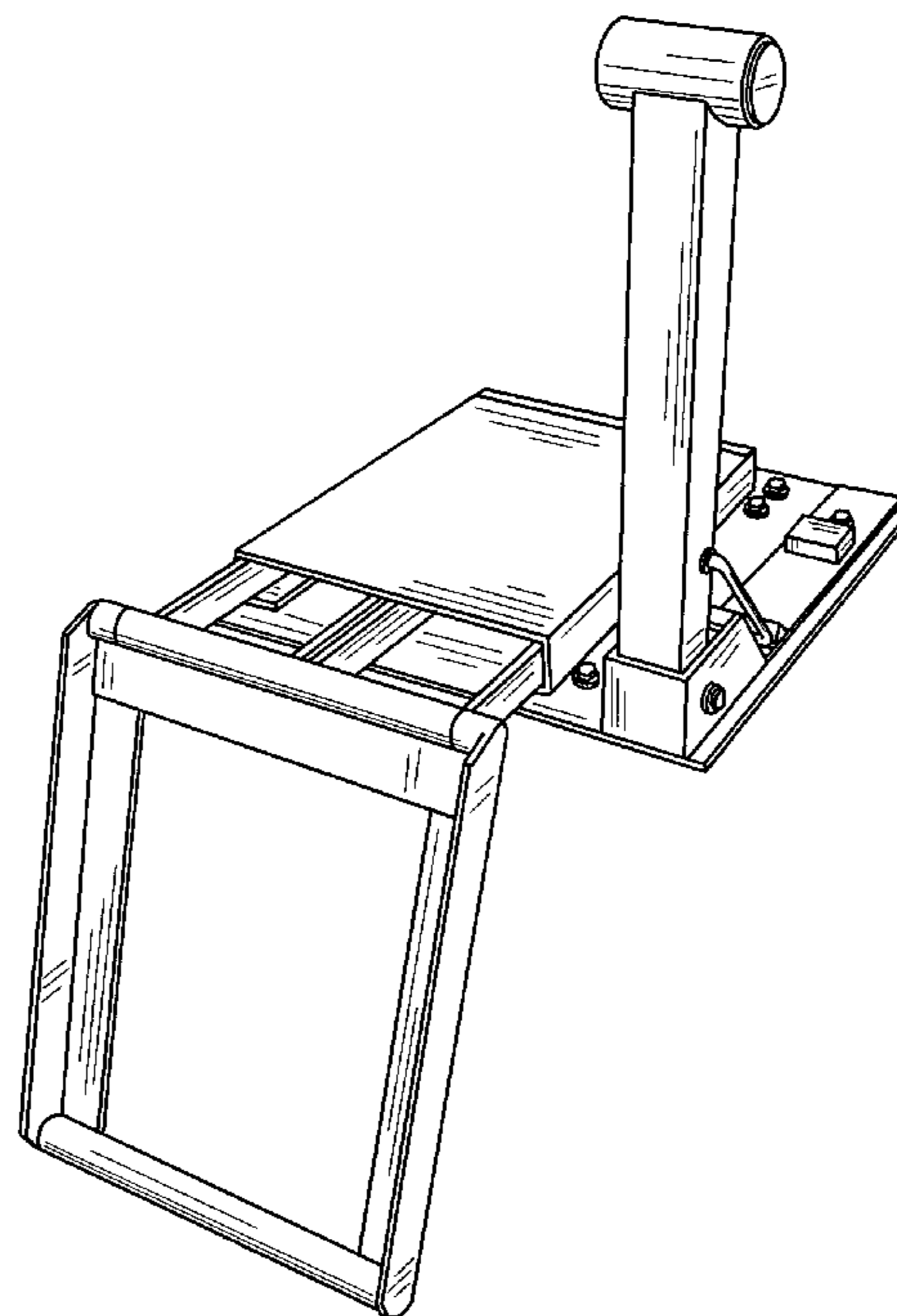
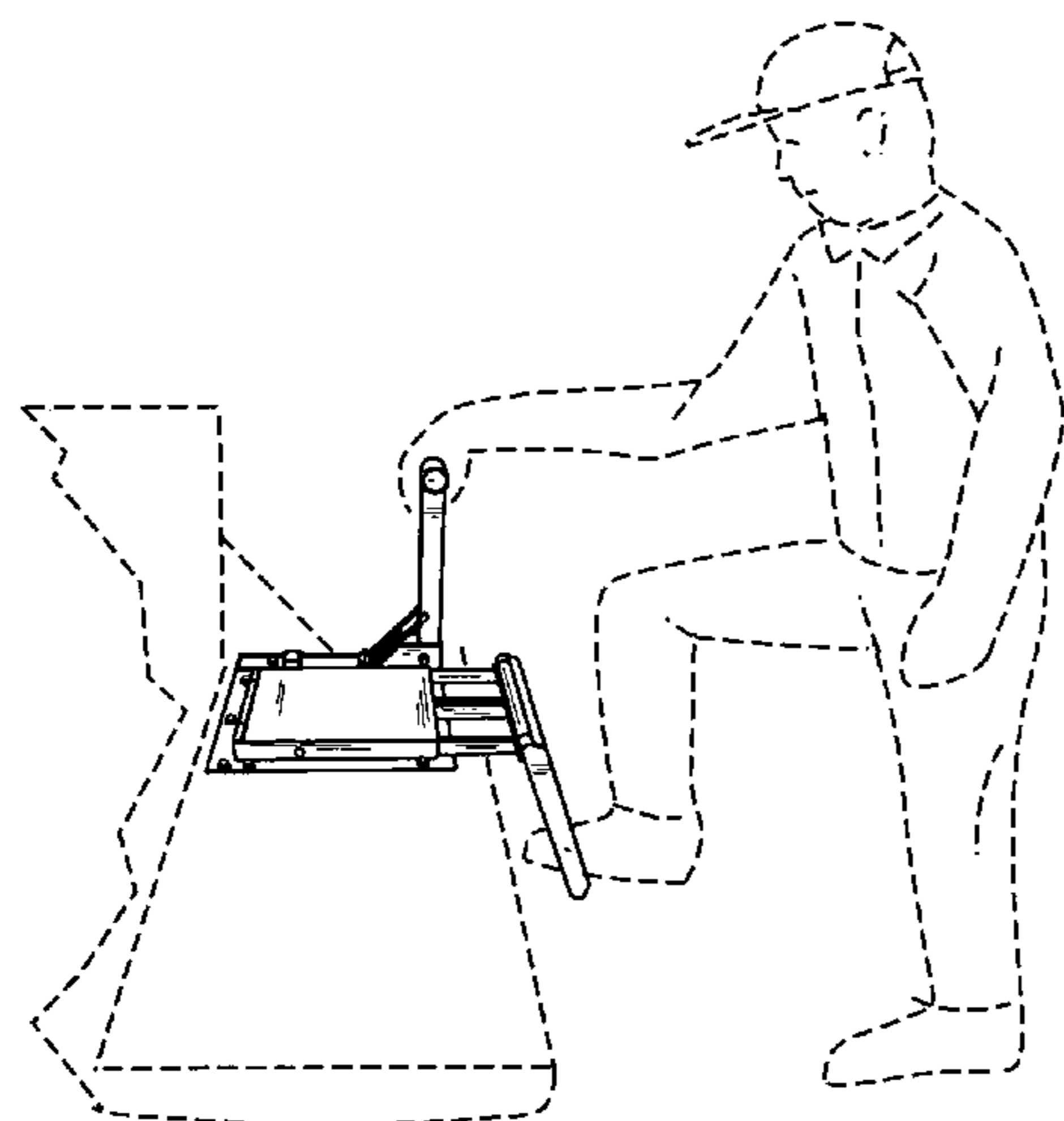
FIG. 11 is a top side perspective view, of the tailgate step in according to FIG. 1 in its folded stored position; and,

*Primary Examiner*—Stacia Cadmus

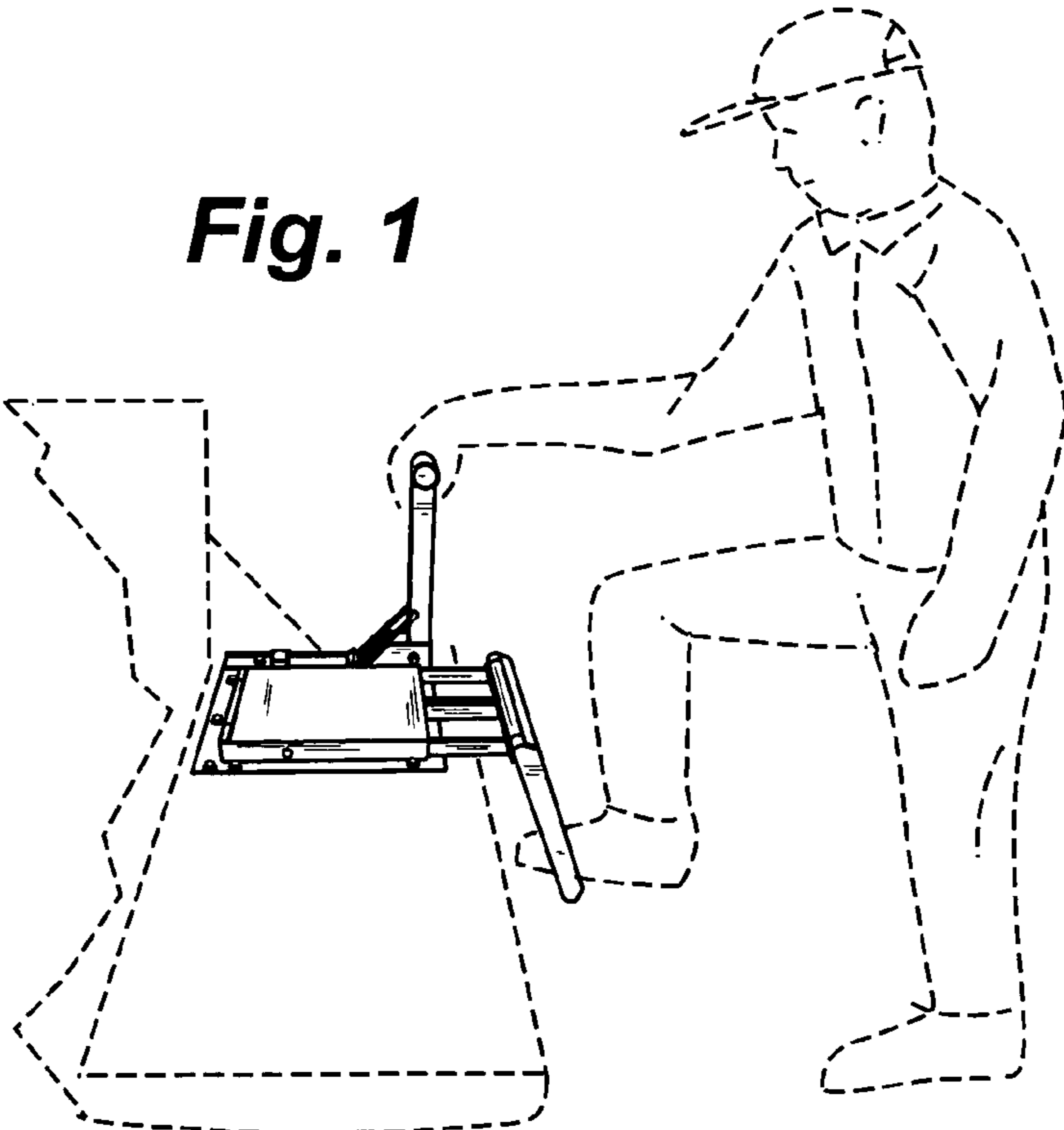
FIG. 12 is exploded perspective view of the tailgate step according to FIG. 1.

The step for pickup truck tailgate is shown on an enlarged scale in FIGS. 3–12 as compared with FIGS. 1 and 2.

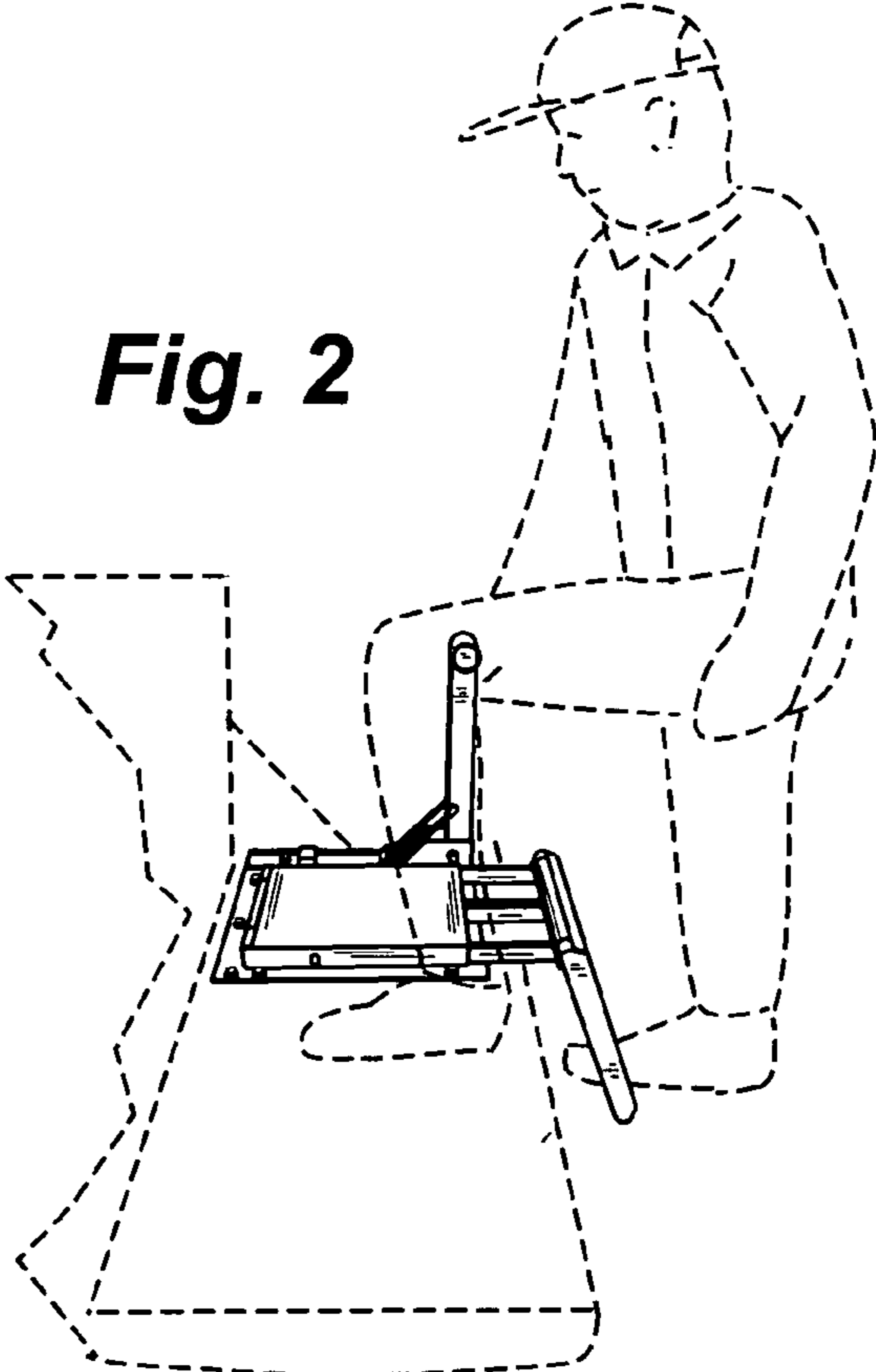
**1 Claim, 6 Drawing Sheets**

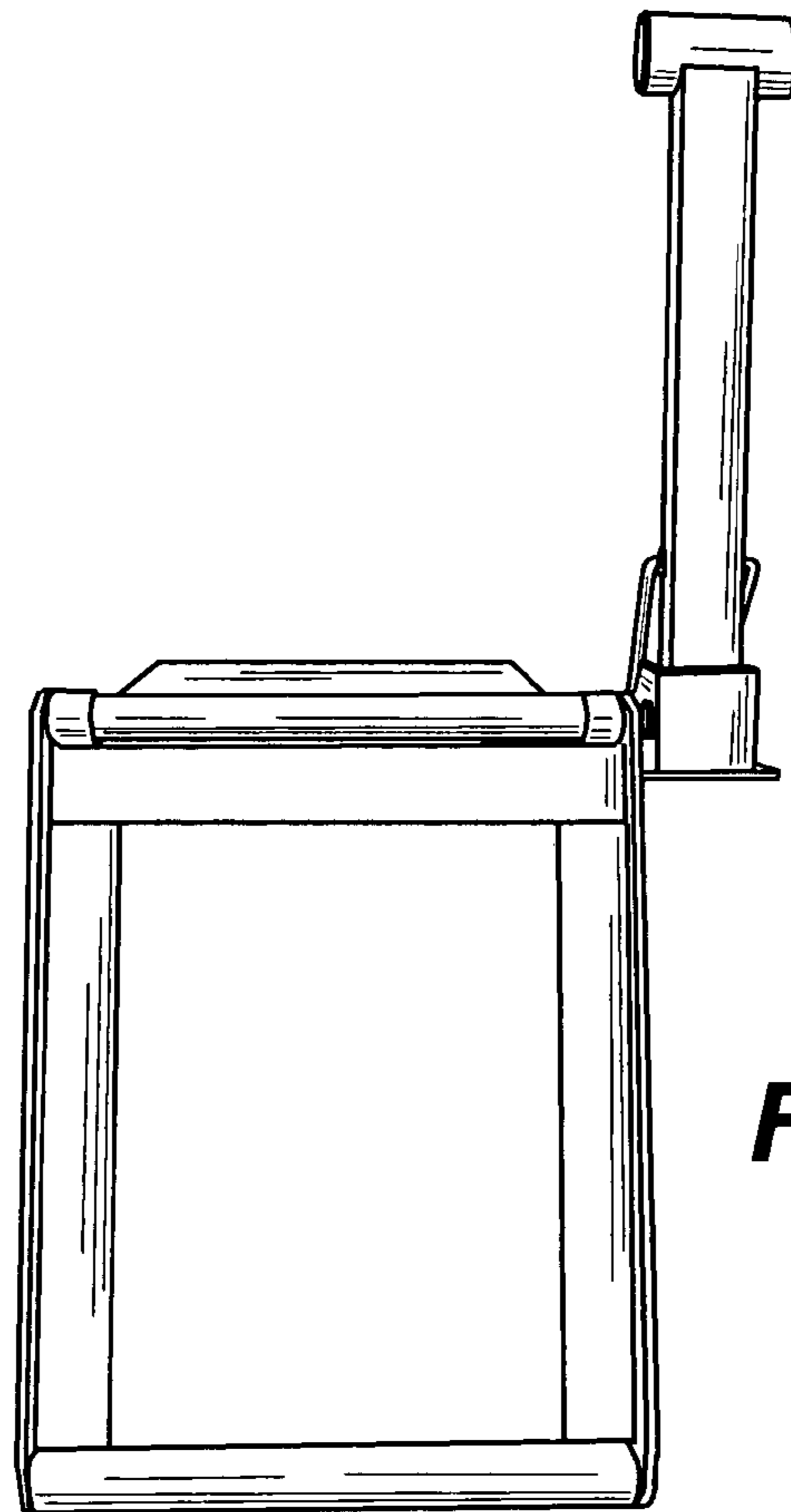


**Fig. 1**

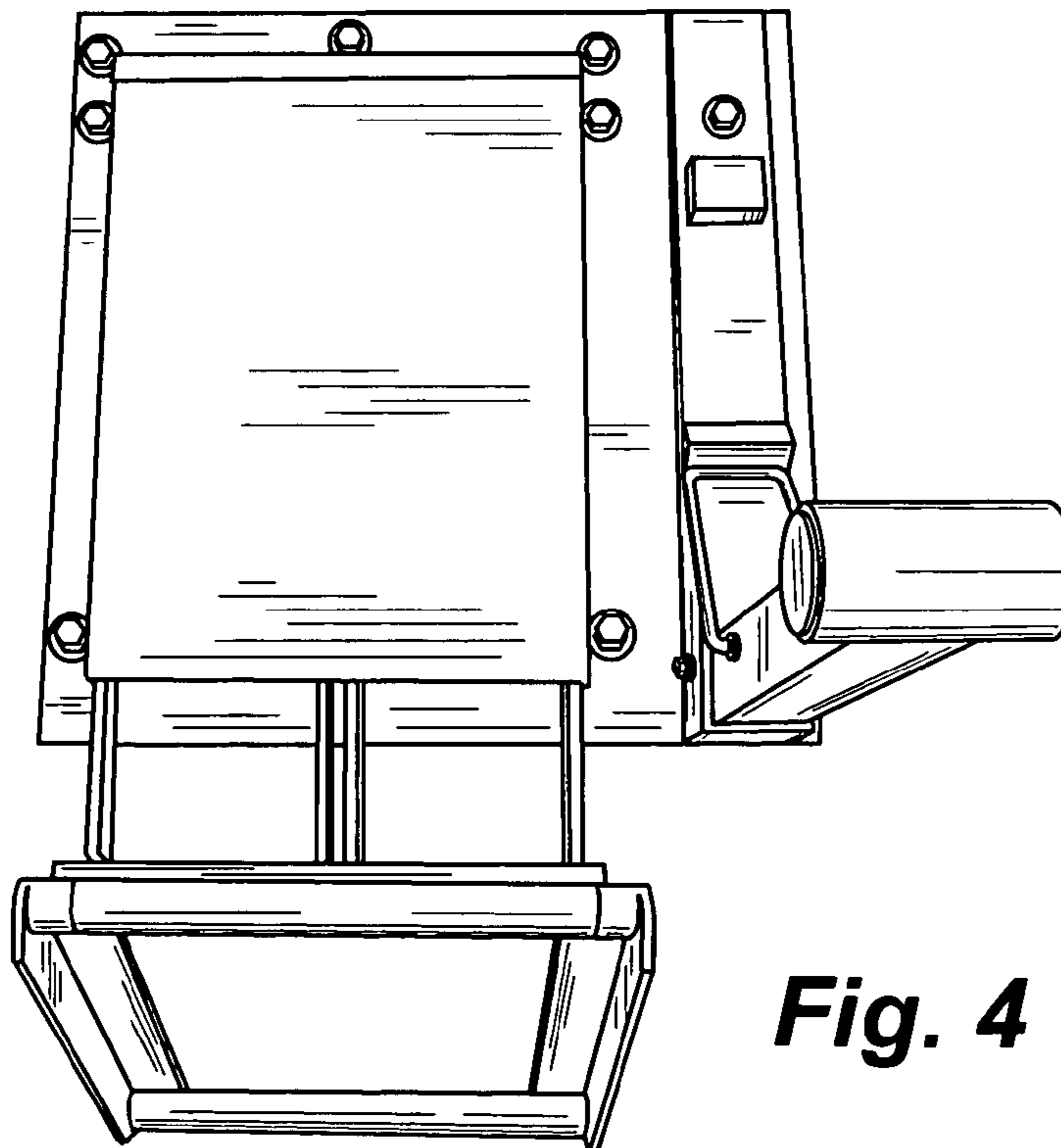


**Fig. 2**

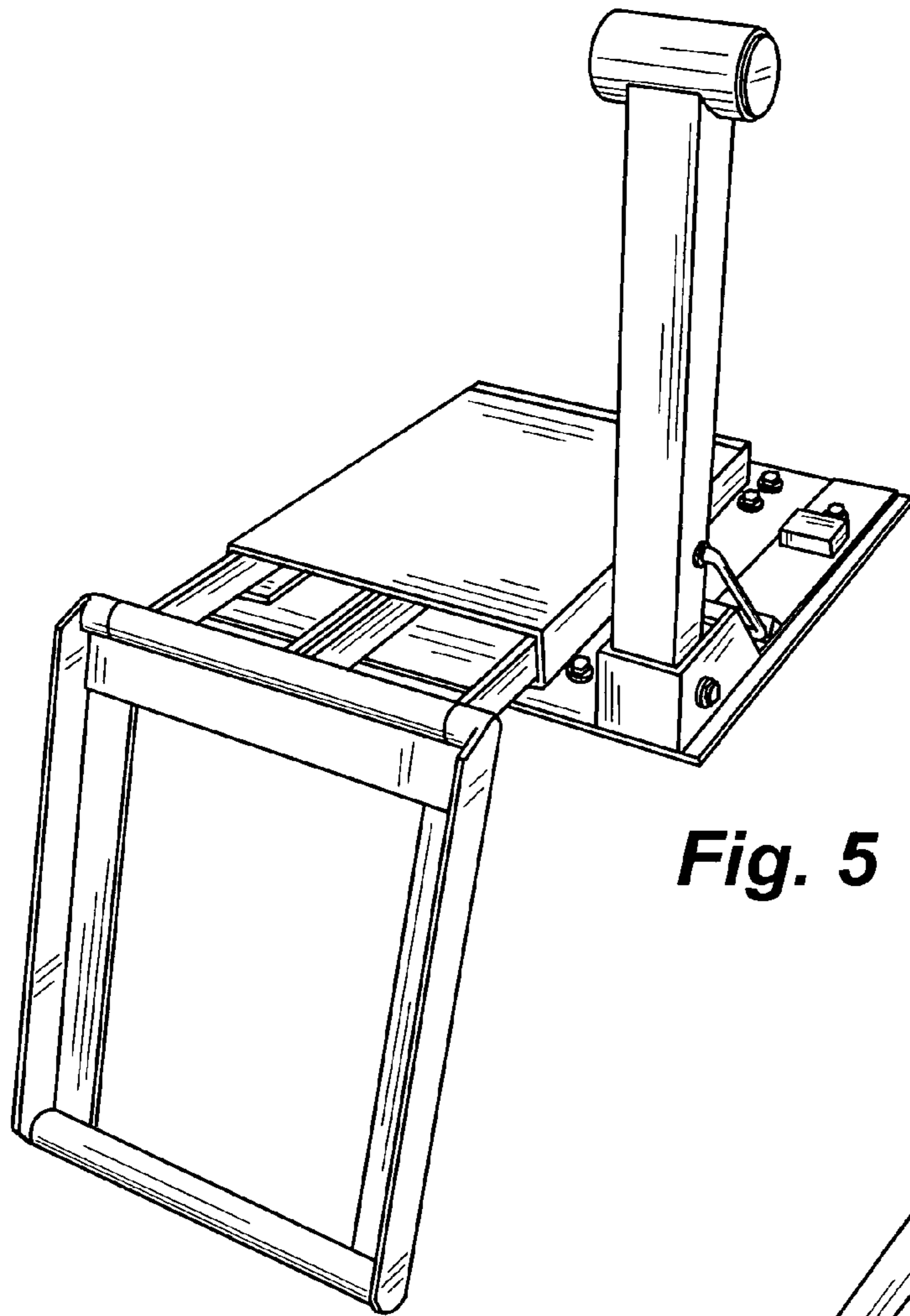




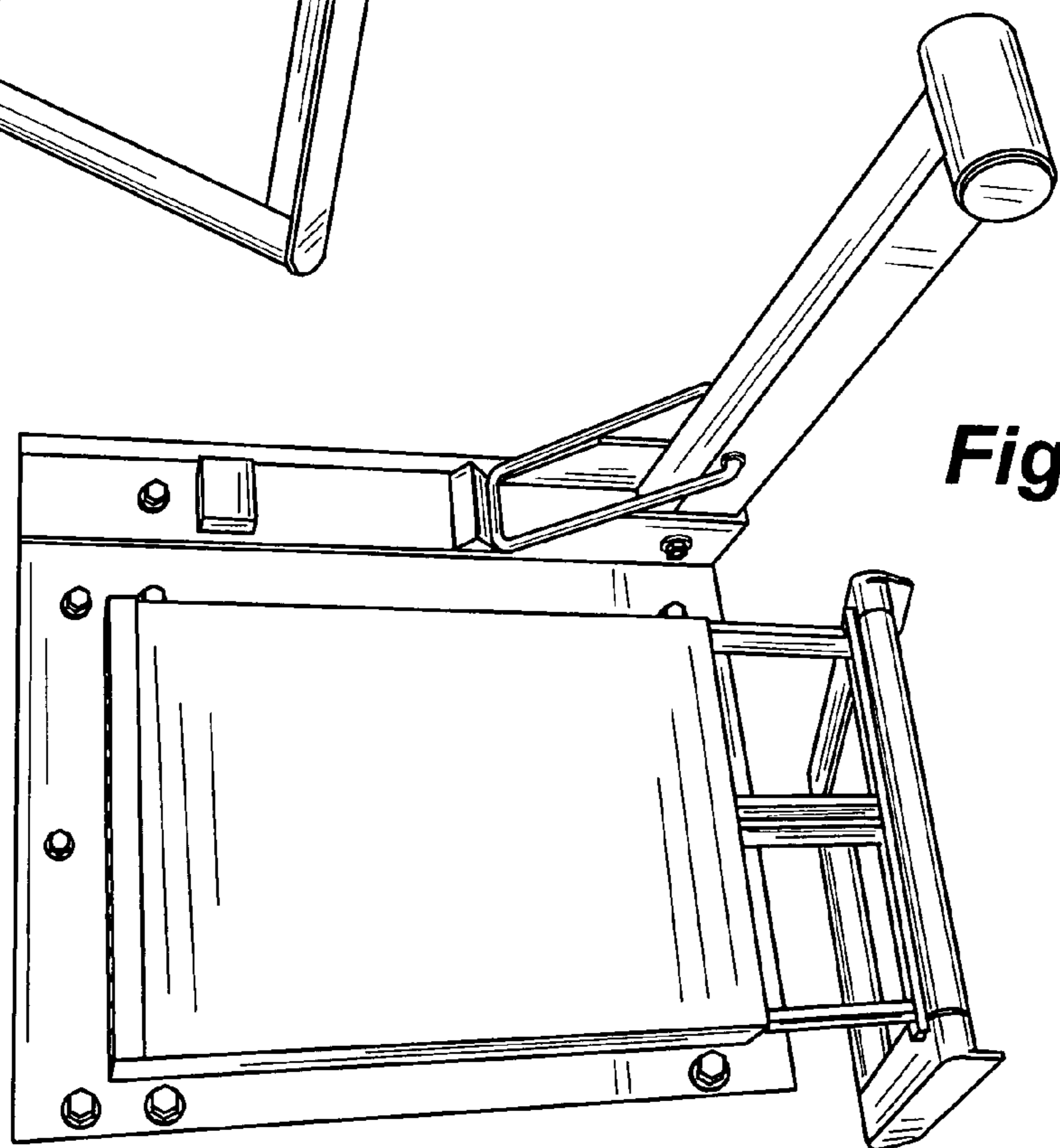
**Fig. 3**



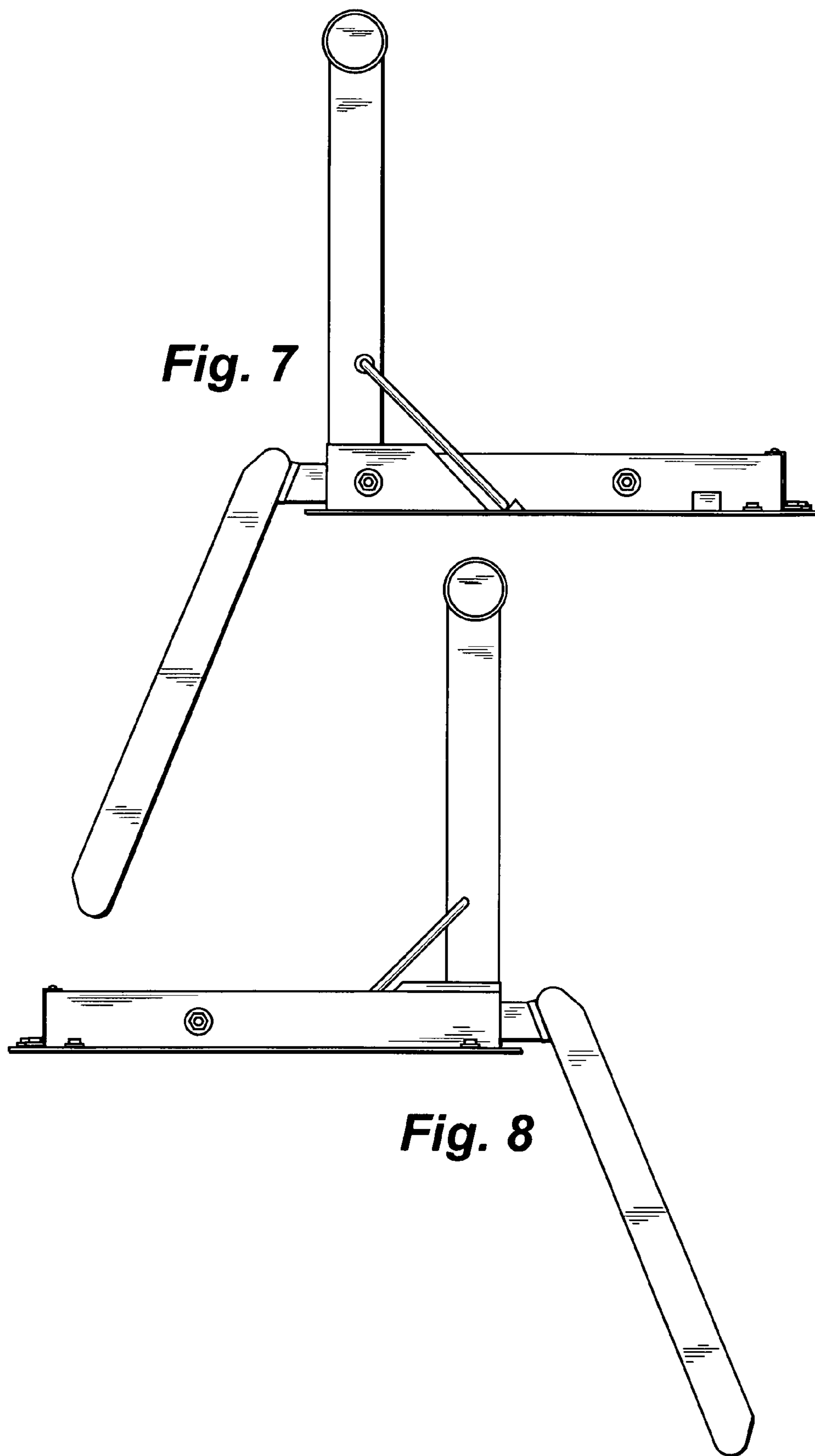
**Fig. 4**



**Fig. 5**

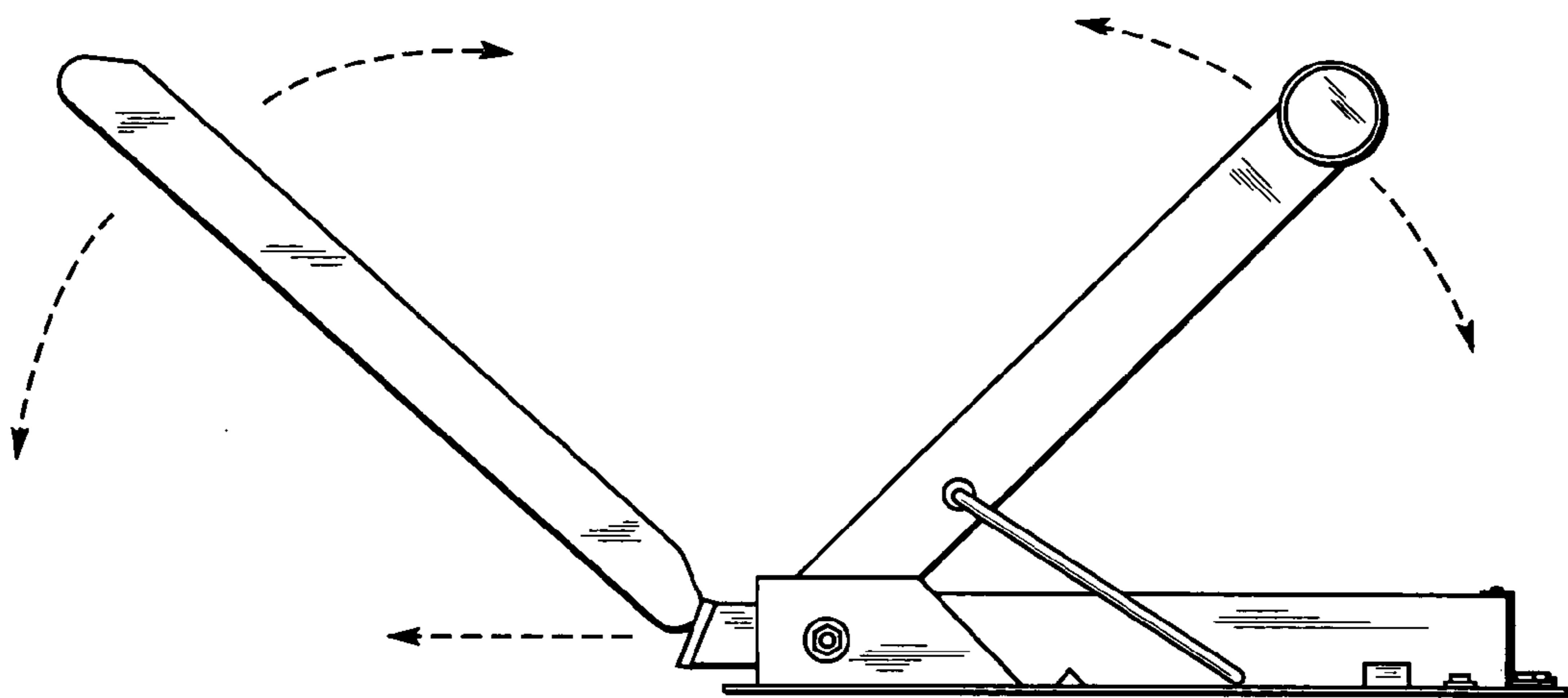
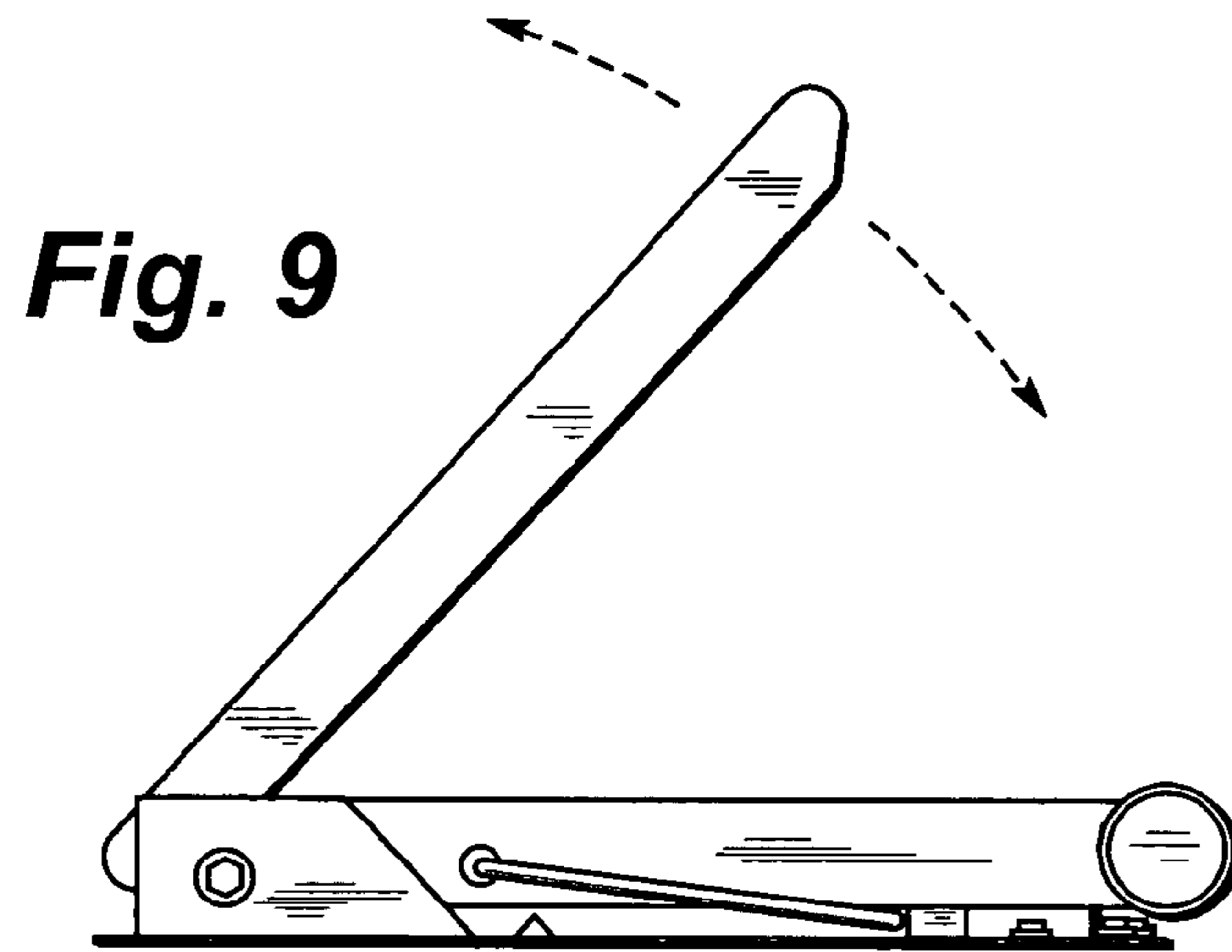


**Fig. 6**



**Fig. 7**

**Fig. 8**



**Fig. 10**

