



US00D585344S

(12) **United States Design Patent**  
**Tomita et al.**

(10) **Patent No.:** **US D585,344 S**  
(45) **Date of Patent:** **\*\* Jan. 27, 2009**

(54) **FRONT BUMPER FOR AN AUTOMOBILE**

(75) Inventors: **Hiroshi Tomita**, Okazaki (JP); **Yutaka Kubota**, Toyota (JP)

(73) Assignee: **Toyota Jidosha Kabushiki Kaisha** (JP)

(\*\*) Term: **14 Years**

(21) Appl. No.: **29/305,161**

(22) Filed: **Mar. 14, 2008**

(51) **LOC (9) Cl.** ..... **12-16**

(52) **U.S. Cl.** ..... **D12/169**

(58) **Field of Classification Search** ..... D12/169,  
D12/90-92; 293/102, 105, 113, 115, 117,  
293/120; 296/180.1, 180.2

See application file for complete search history.

(56) **References Cited**

**U.S. PATENT DOCUMENTS**

D527,319 S \* 8/2006 Yakushi ..... D12/169  
D566,018 S \* 4/2008 Morishita et al. .... D12/169

**OTHER PUBLICATIONS**

Brochure of Subaru Forester, Mar. 2007, Fuji Heavy Industries Ltd.

Brochure of Mitsubishi Outlander, Mar. 2007, Mitsubishi Jidosha Kogyo Kabushiki Kaisha.

\* cited by examiner

*Primary Examiner*—Melody N Brown

(74) *Attorney, Agent, or Firm*—SAIDMAN DesignLaw Group

(57) **CLAIM**

The ornamental design for a front bumper for an automobile, as shown and described.

**DESCRIPTION**

FIG. 1 is a front perspective view of a front bumper for an automobile showing our new design;

FIG. 2 is a front view thereof;

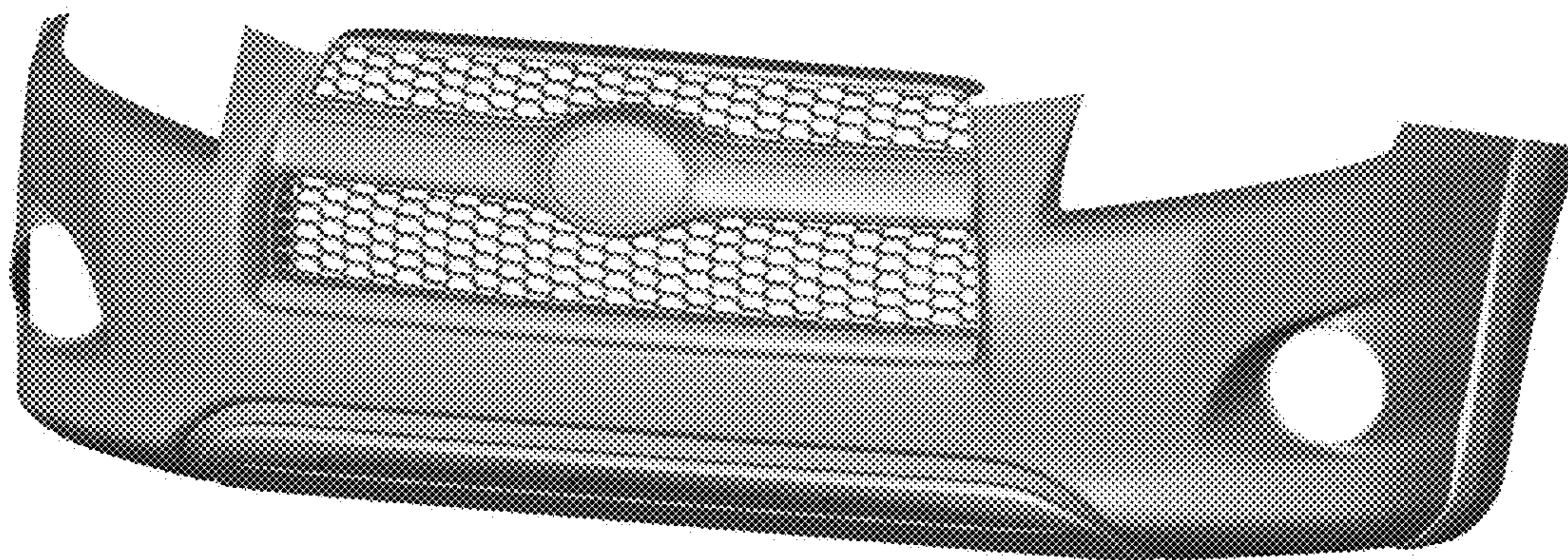
FIG. 3 is a top view thereof;

FIG. 4 is a bottom view thereof;

FIG. 5 is a right-side view thereof; and,

FIG. 6 is a left-side view thereof.

**1 Claim, 2 Drawing Sheets**



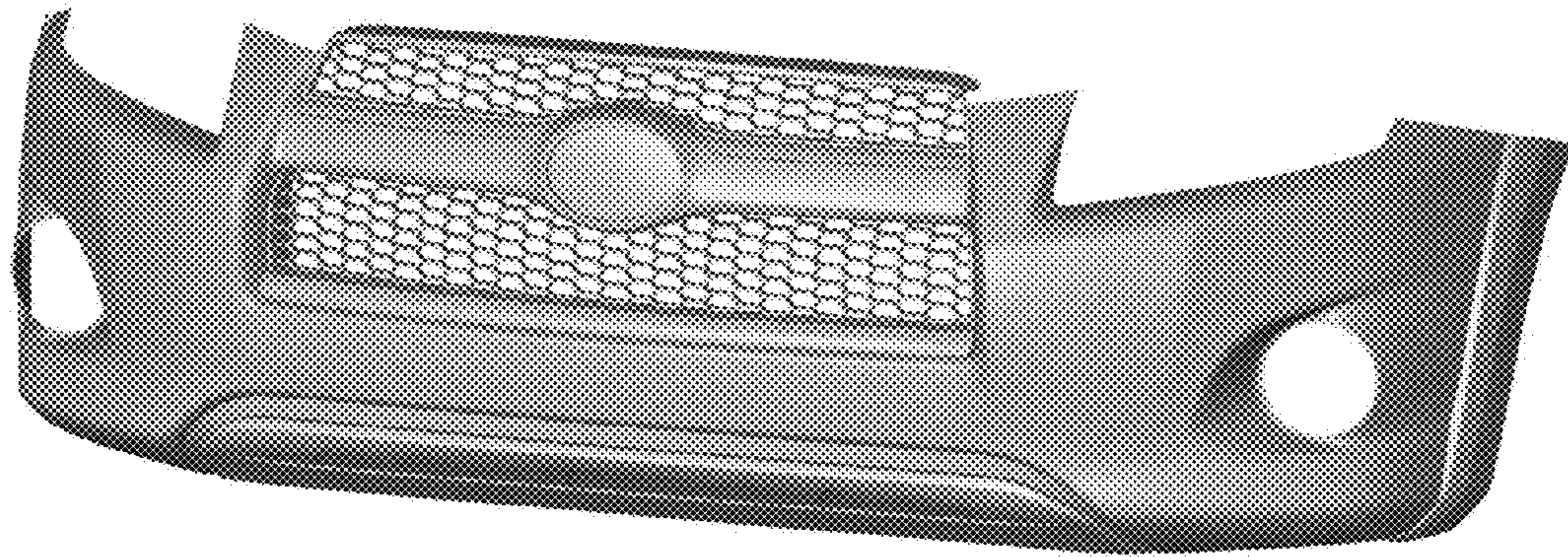


FIG. 1

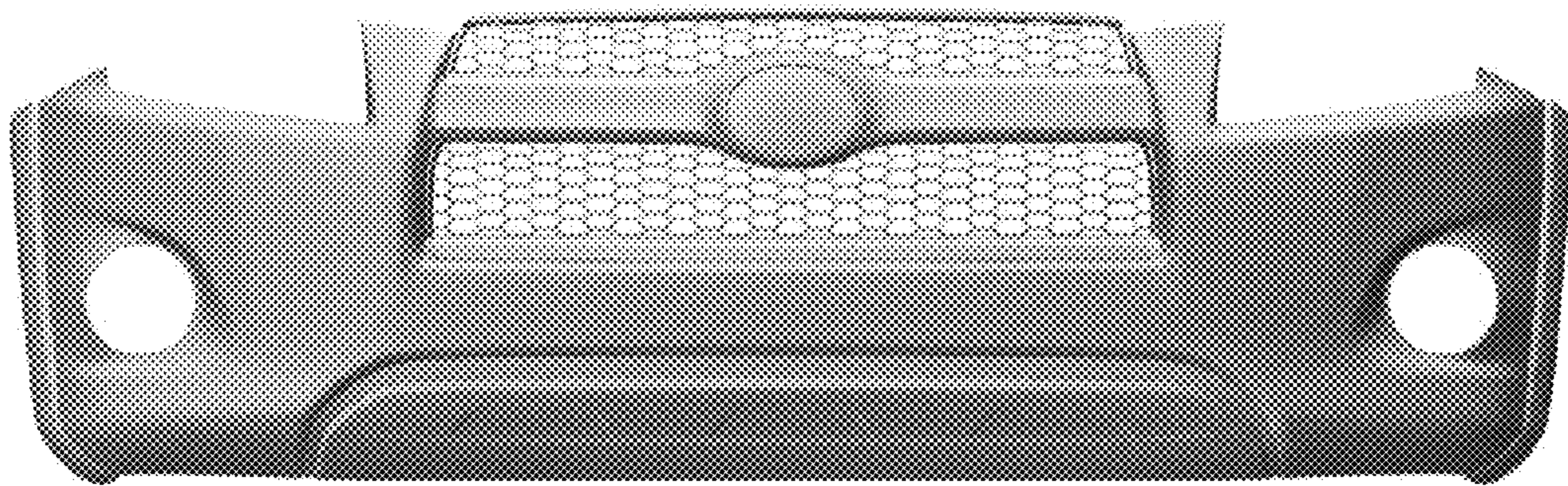


FIG. 2

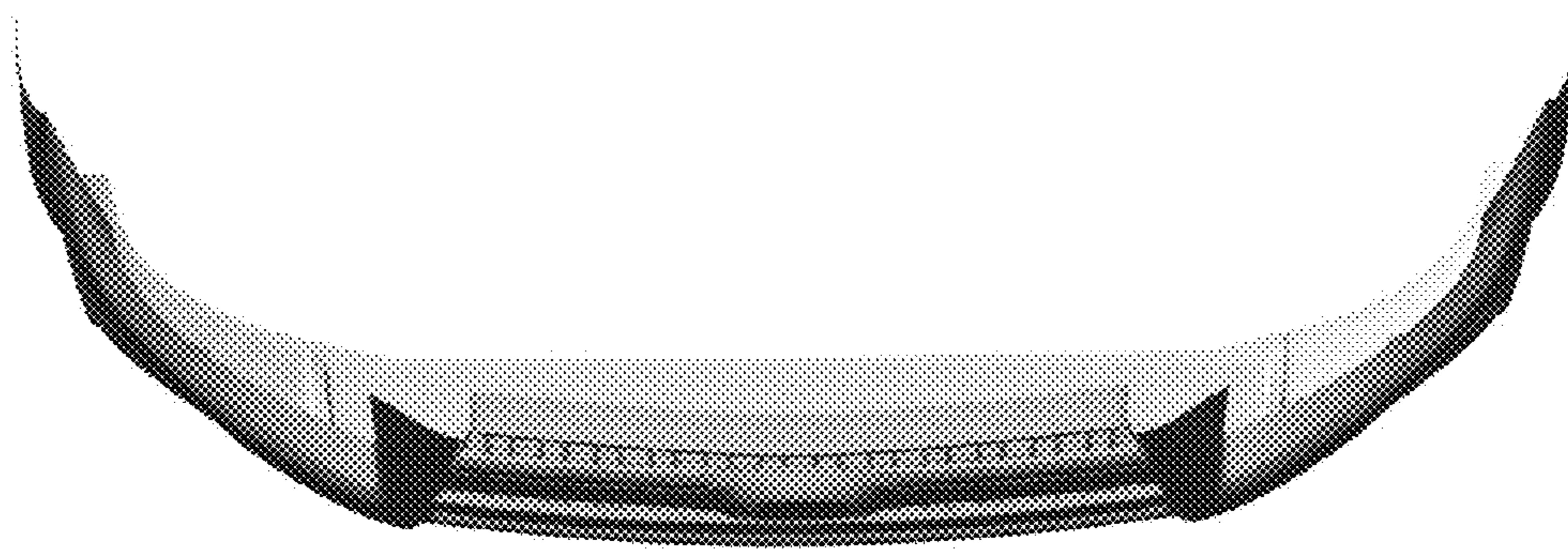


FIG. 3

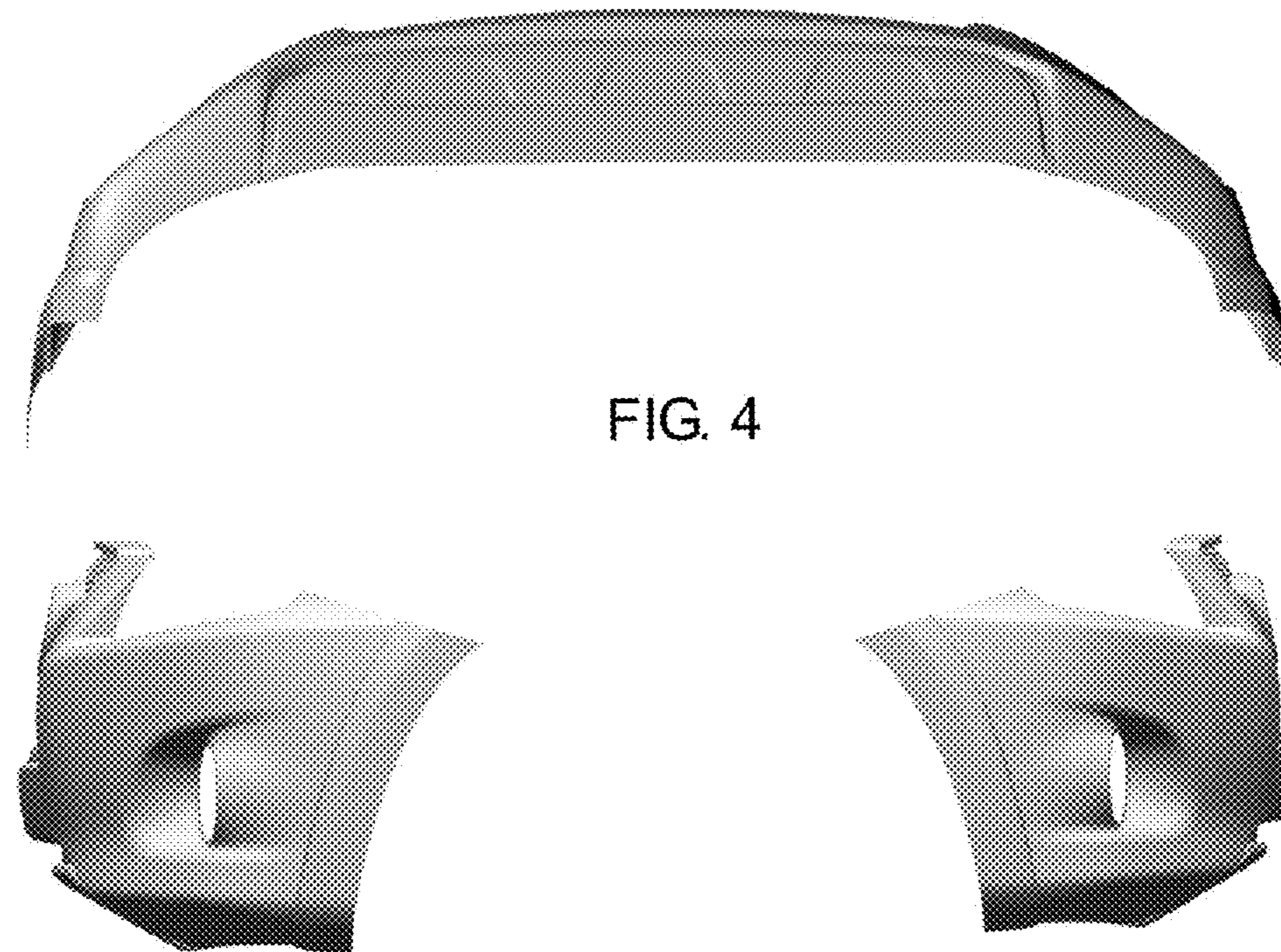


FIG. 4

FIG. 5

FIG. 6