

US00D585338S

(12) **United States Design Patent**
Siewertsen

(10) **Patent No.:** **US D585,338 S**
(45) **Date of Patent:** **** Jan. 27, 2009**

(54) **PERAMBULATOR**

(75) Inventor: **Adrianus Siewertsen**, Helmond (NL)

(73) Assignee: **Cosco Management, Inc.**, Wilmington, DE (US)

(**) Term: **14 Years**

(21) Appl. No.: **29/303,600**

(22) Filed: **Feb. 12, 2008**

6,402,186 B1	6/2002	Garland	
D463,332 S	9/2002	Wu	
6,565,111 B2 *	5/2003	Ageneau	280/647
D476,603 S *	7/2003	Maxisch	D12/129
D480,994 S	10/2003	Grohmann	
6,671,926 B2 *	1/2004	Huang	16/35 R
D519,422 S *	4/2006	Huang	D12/129
7,021,651 B2 *	4/2006	Lan	280/642
D529,844 S *	10/2006	Chen et al.	D12/129
D532,721 S	11/2006	Wu et al.	
7,367,581 B2 *	5/2008	Yang	280/642

Related U.S. Application Data

(62) Division of application No. 29/196,855, filed on Jan. 5, 2004, now Pat. No. Des. 568,794.

Foreign Application Priority Data

Jul. 3, 2003 (EM) 00049655

(51) **LOC (9) Cl.** **12-12**

(52) **U.S. Cl.** **D12/129; D12/133**

(58) **Field of Classification Search** D12/128-133;
280/37, 62, 647-650, 29, 200, 47.4, 47.38,
280/250.1, 259, 642, 658, 644; 297/30, 130,
297/DIG. 4; 296/65.3, 65.4; 224/409
See application file for complete search history.

References Cited

U.S. PATENT DOCUMENTS

4,706,986 A	11/1987	Kassai	
D325,894 S	5/1992	Kato et al.	
5,590,896 A *	1/1997	Eichhorn	280/642
5,676,386 A	10/1997	Huang	
5,845,924 A	12/1998	Huang	
D442,895 S *	5/2001	Chiu	D12/129

FOREIGN PATENT DOCUMENTS

EM 00049655 7/2003

* cited by examiner

Primary Examiner—Charles A Rademaker

Assistant Examiner—Charles D Hanson

(74) *Attorney, Agent, or Firm*—Barnes & Thornburg LLP

(57) **CLAIM**

The ornamental design for a perambulator, as shown and described.

DESCRIPTION

FIG. 1 is a front perspective view of a perambulator showing my new design;

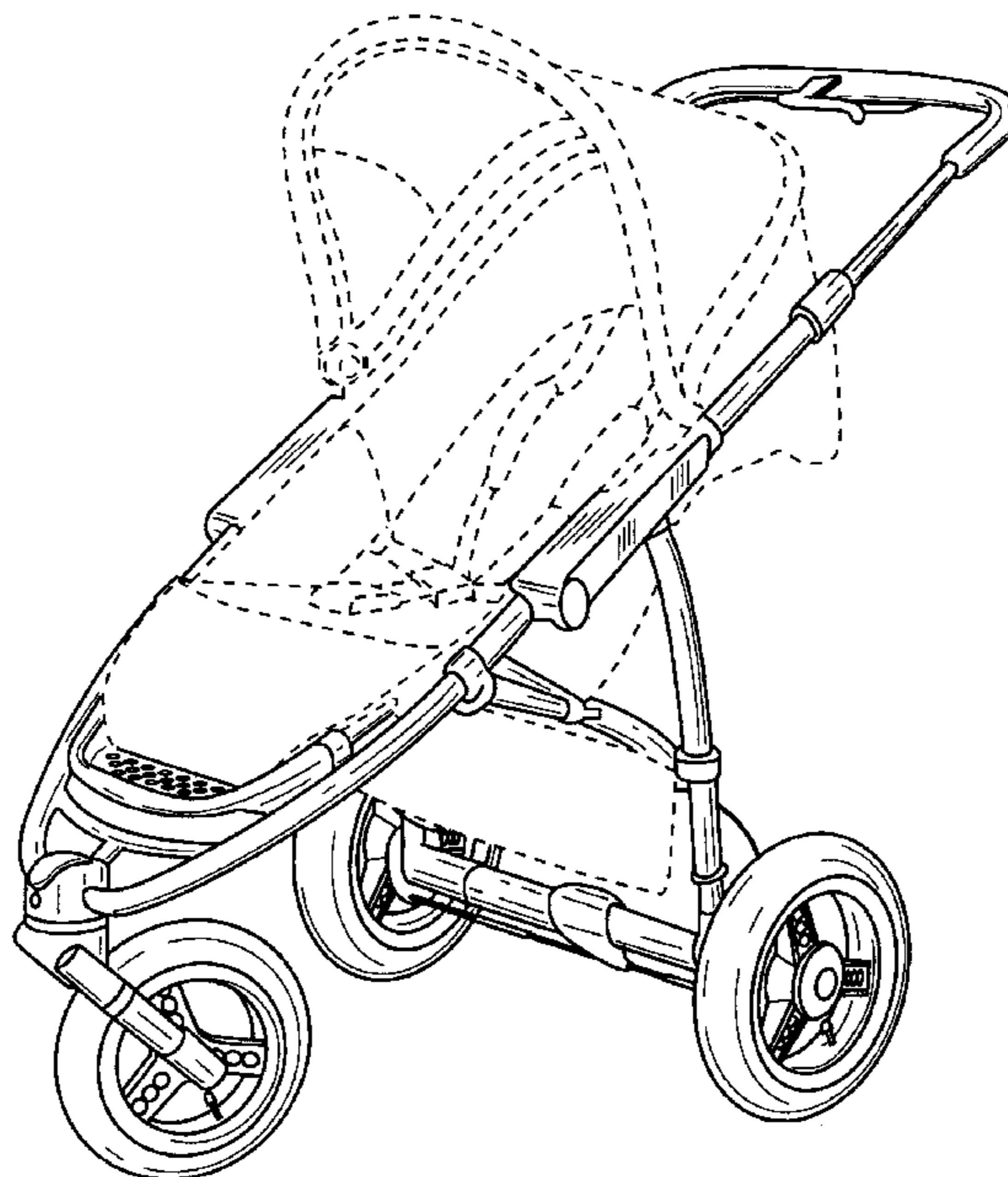
FIG. 2 is a left side perspective view thereof;

FIG. 3 is a right side perspective view thereof; and,

FIG. 4 is a rear perspective view thereof.

The elements illustrated by broken lines in FIGS. 1-4 are for illustrative purposes only and form no part of the claimed design.

1 Claim, 4 Drawing Sheets



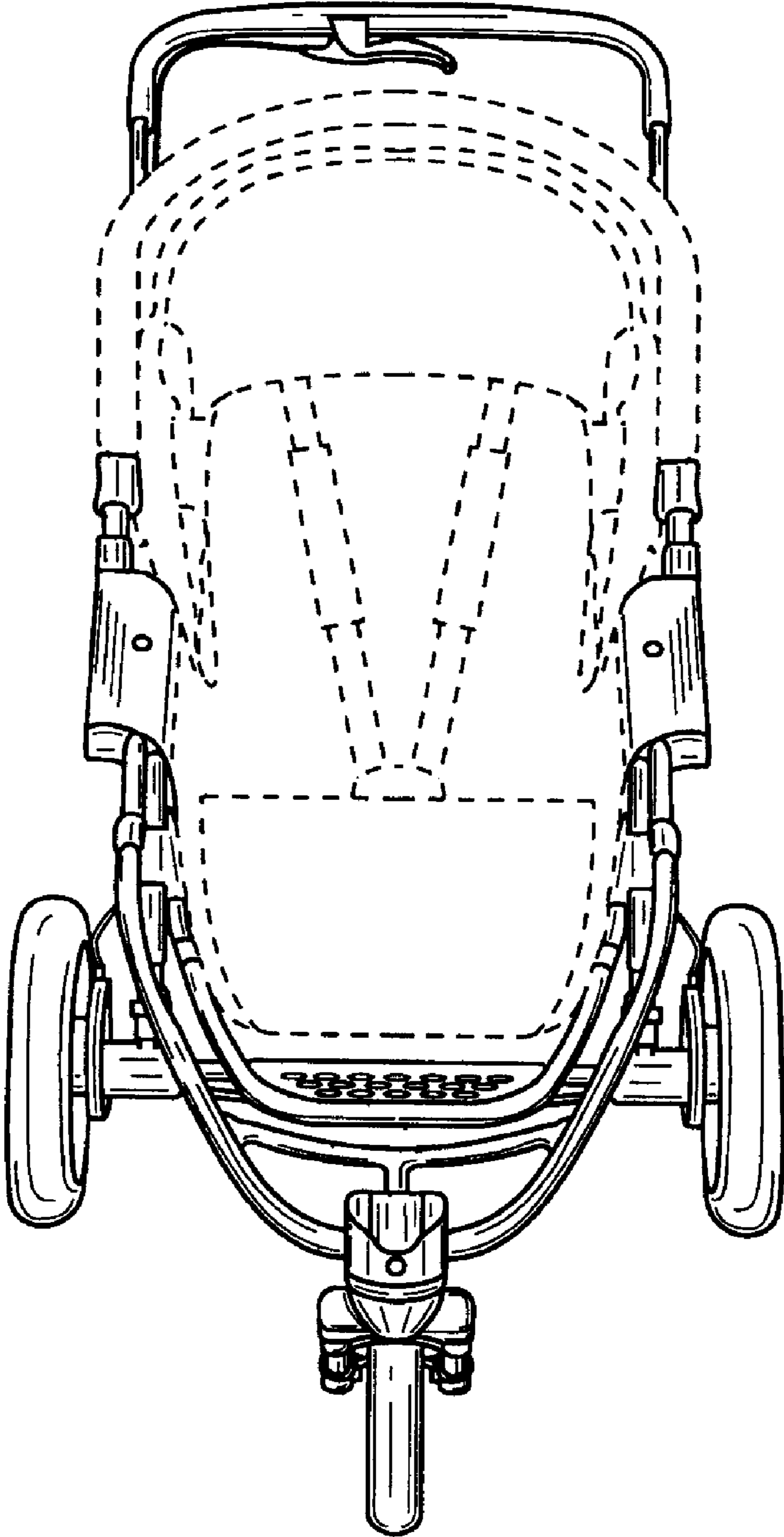


FIG. 1

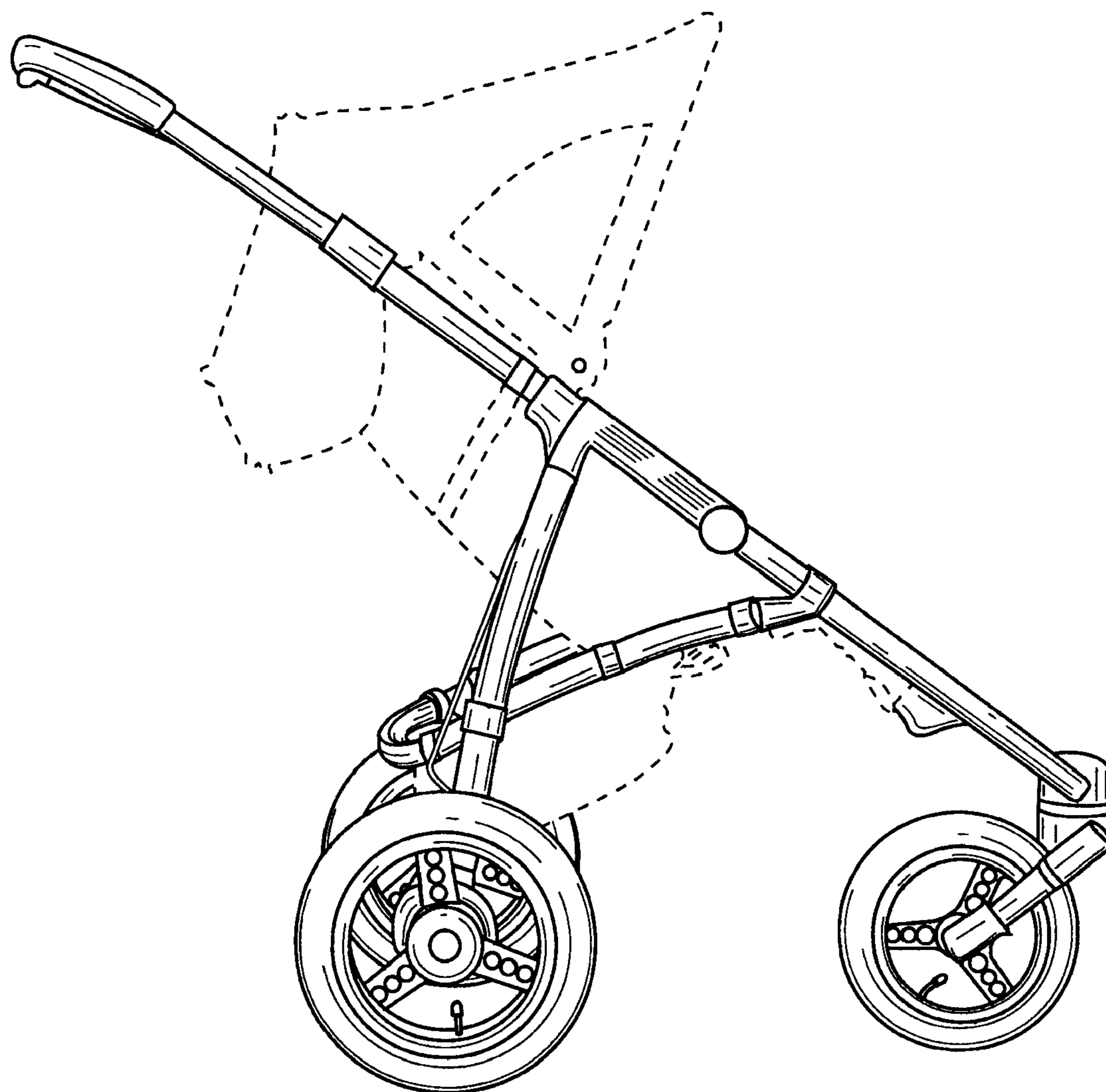


FIG. 2

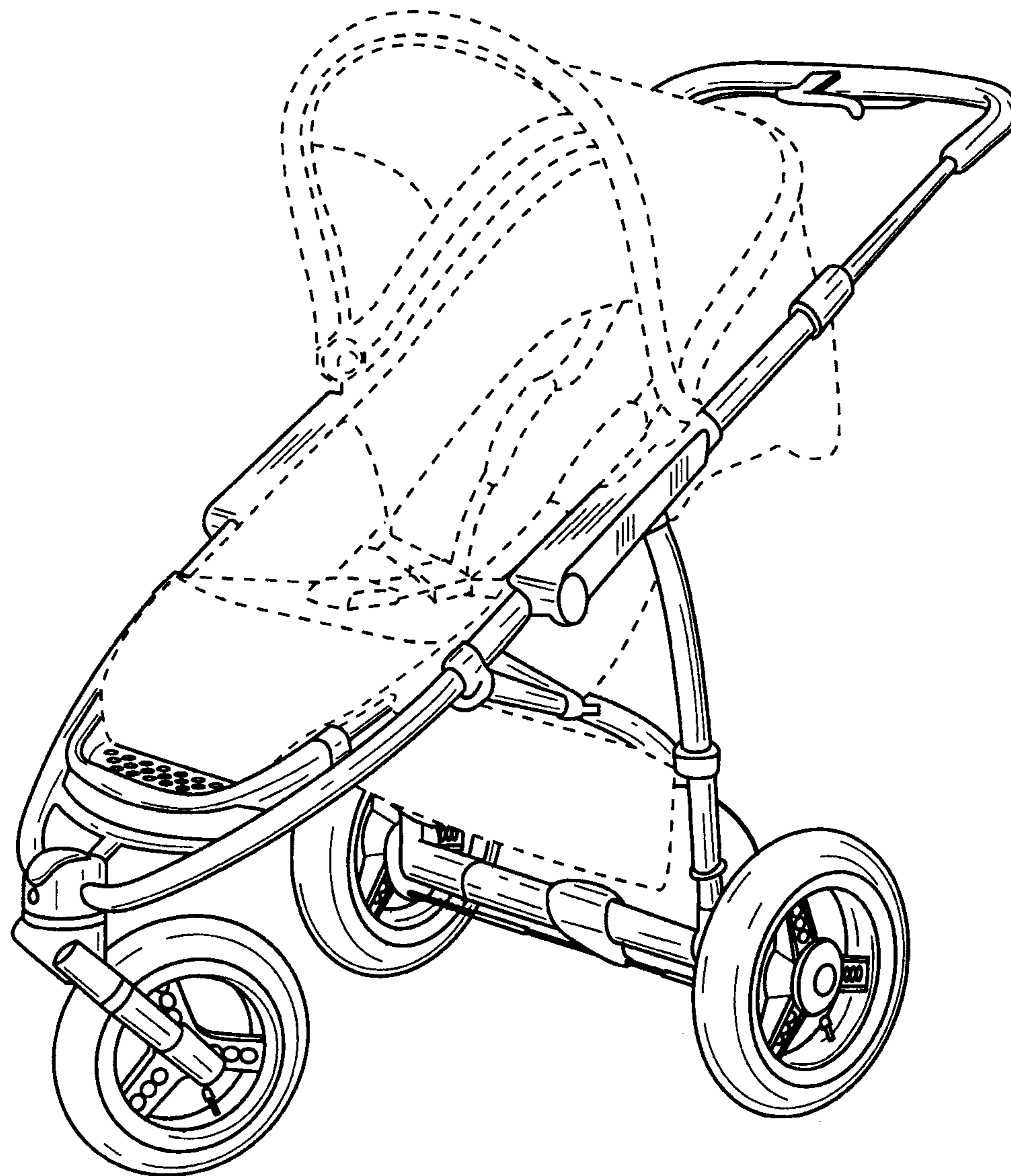


FIG. 3

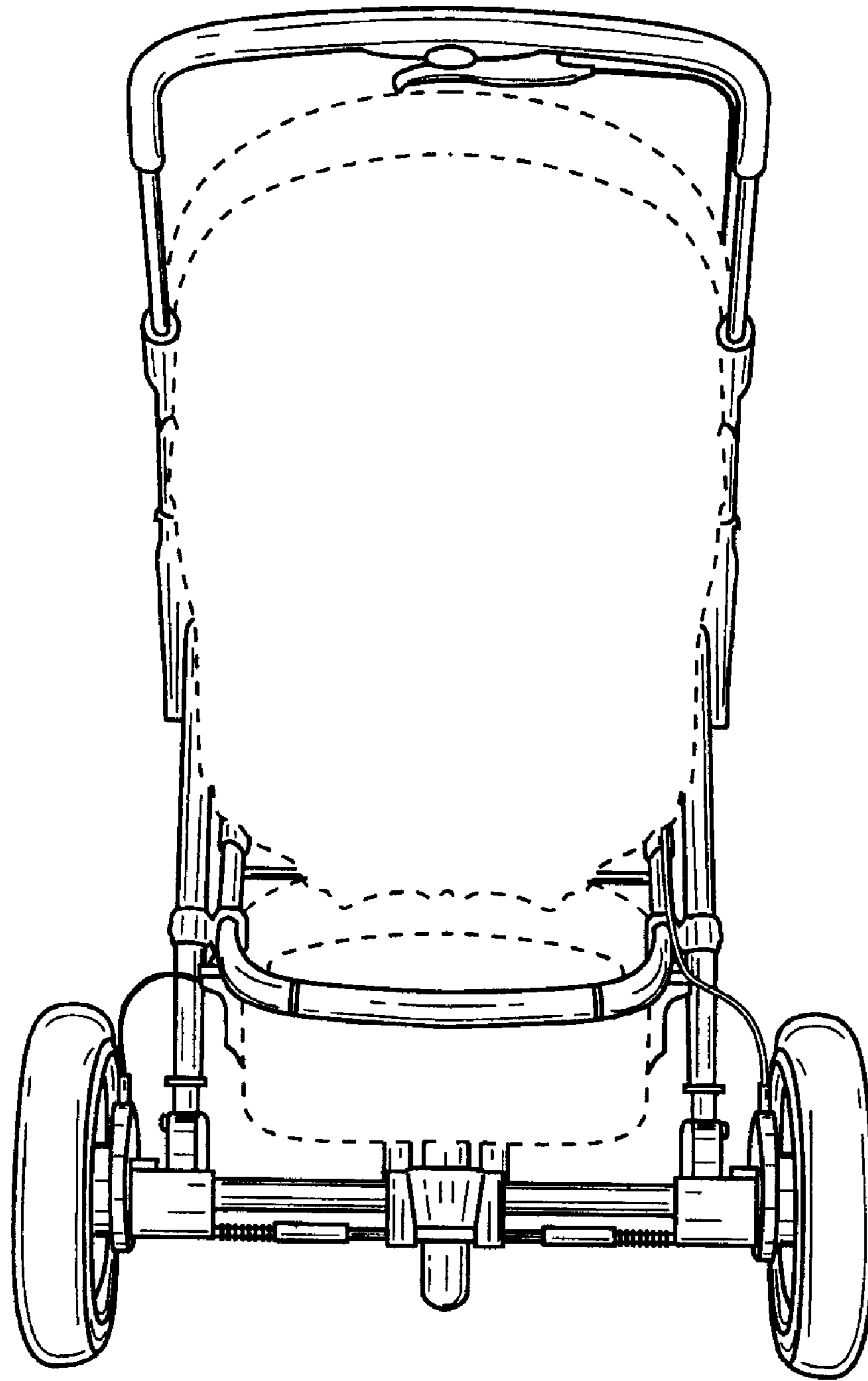


FIG. 4