



US00D585336S

(12) **United States Design Patent**  
**van Buul et al.**

(10) **Patent No.:** **US D585,336 S**  
(45) **Date of Patent:** **\*\* Jan. 27, 2009**

(54) **BABY CARRIAGE**

(75) Inventors: **Christel van Buul**, Helmond (NL);  
**Mirella Schutgens-van Hoof**, Helmond  
(NL); **John van Dijk**, Helmond (NL)

(73) Assignee: **Cosco Management, Inc.**, Wilmington,  
DE (US)

(\*\*) Term: **14 Years**

(21) Appl. No.: **29/267,724**

(22) Filed: **Oct. 16, 2006**

(30) **Foreign Application Priority Data**

Apr. 21, 2006 (EM) ..... 0000516703

(51) **LOC (9) Cl.** ..... **12-12**

(52) **U.S. Cl.** ..... **D12/129**

(58) **Field of Classification Search** ..... D12/129-133;  
280/30, 36, 38, 42, 47.38, 641, 643, 650,  
280/658

See application file for complete search history.

(56) **References Cited**

**U.S. PATENT DOCUMENTS**

D325,894 S \* 5/1992 Kato et al. .... D12/129  
D345,128 S \* 3/1994 Kassai ..... D12/129  
D408,335 S \* 4/1999 Eyman et al. .... D12/129  
D510,549 S \* 10/2005 Kassai et al. .... D12/129  
D532,721 S \* 11/2006 Wu et al. .... D12/129

\* cited by examiner

*Primary Examiner*—Ian Simmons

*Assistant Examiner*—Maurice Stevens

(74) *Attorney, Agent, or Firm*—Barnes & Thornburg LLP

(57) **CLAIM**

The ornamental design for a baby carriage, as shown and described.

**DESCRIPTION**

FIG. 1 is a front view of the baby carriage with a forward facing seat.

FIG. 2 is a front view of the baby carriage with a rearward facing seat.

FIG. 3 is a rear view of the baby carriage with a forward facing seat.

FIG. 4 is rear view of the baby carriage with a rearward facing seat.

FIG. 5 is a side view of the baby carriage with a rearward facing seat.

FIG. 6 is a side view of the baby carriage with a forward facing seat and with a sun canopy in a high position.

FIG. 7 is a side view of the baby carriage with a forward facing seat and with a sun canopy in a low position.

FIG. 8 is a side view of the baby carriage with a forward facing seat in a lying position.

FIG. 9 is a side view of the baby carriage with a rearward facing seat in a lying position.

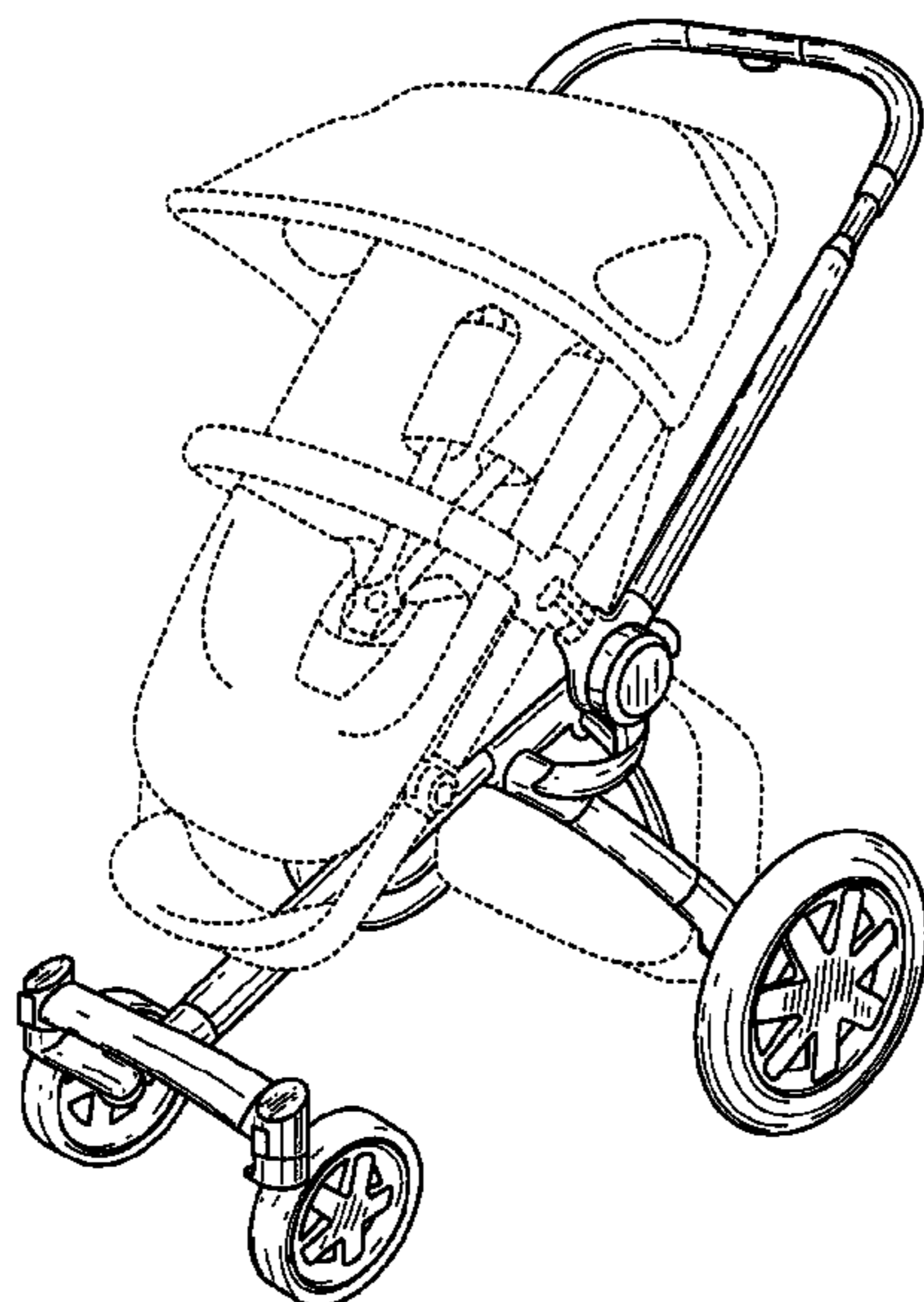
FIG. 10 is a side view of the baby carriage in a folded condition.

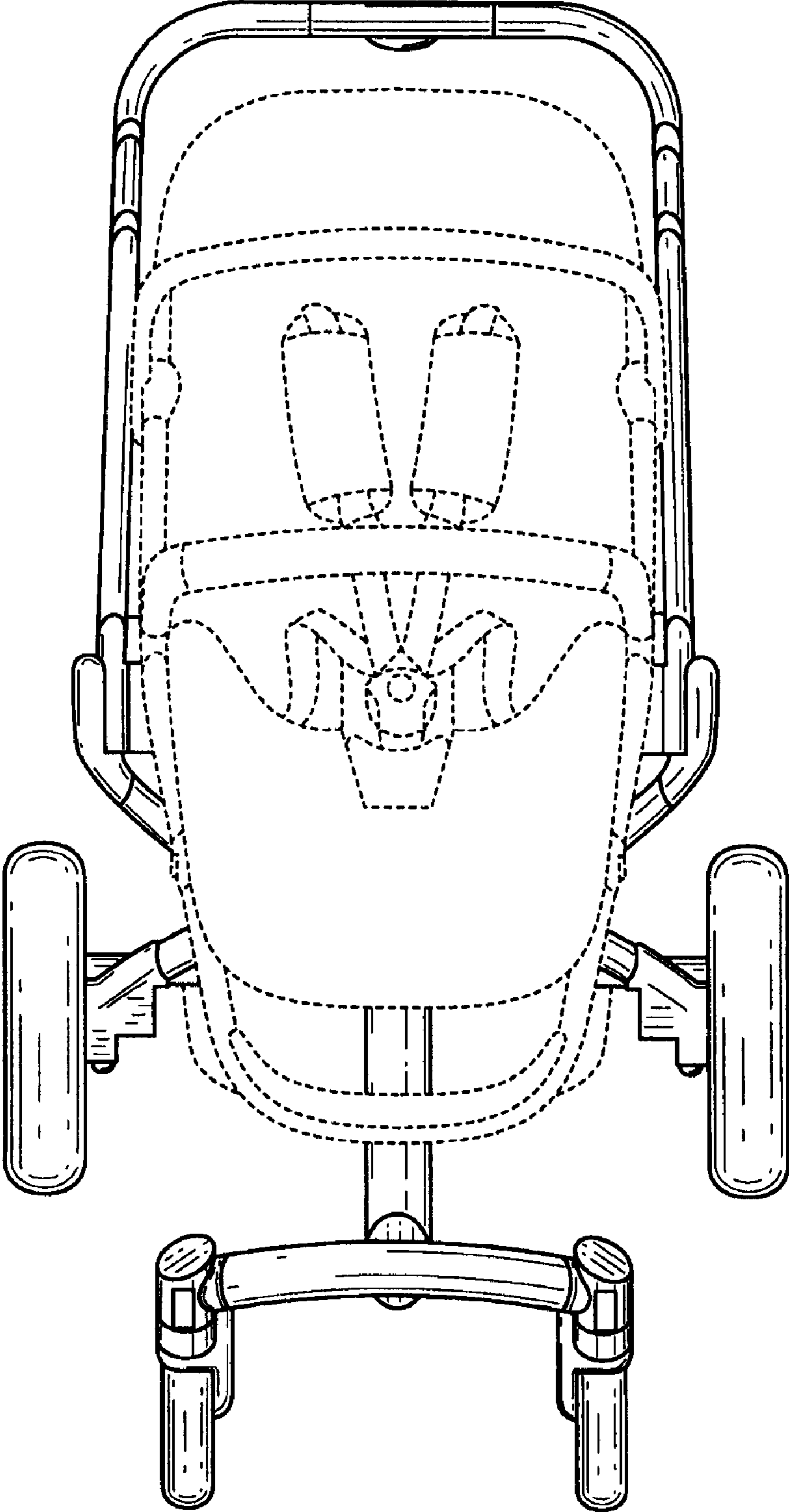
FIG. 11 is a perspective view of the baby carriage with a forward facing seat and with a sun canopy in a high position; and,

FIG. 12 is a perspective view of the baby carriage with a forward facing seat and with a sun canopy in a low position.

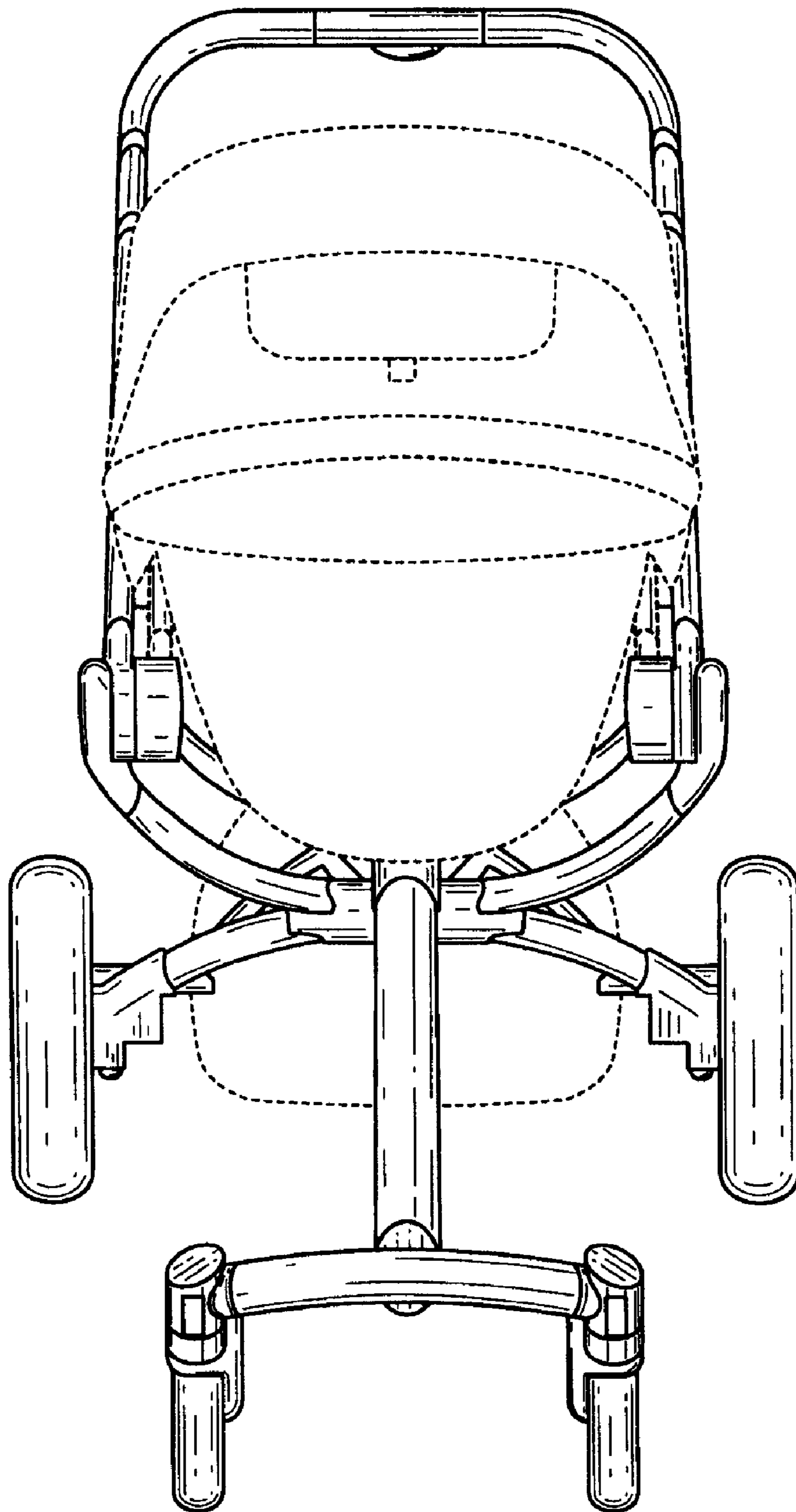
The broken lines shown in FIGS. 1-12 are included for the purpose of illustrating environment and form no part of the claimed design.

**1 Claim, 12 Drawing Sheets**

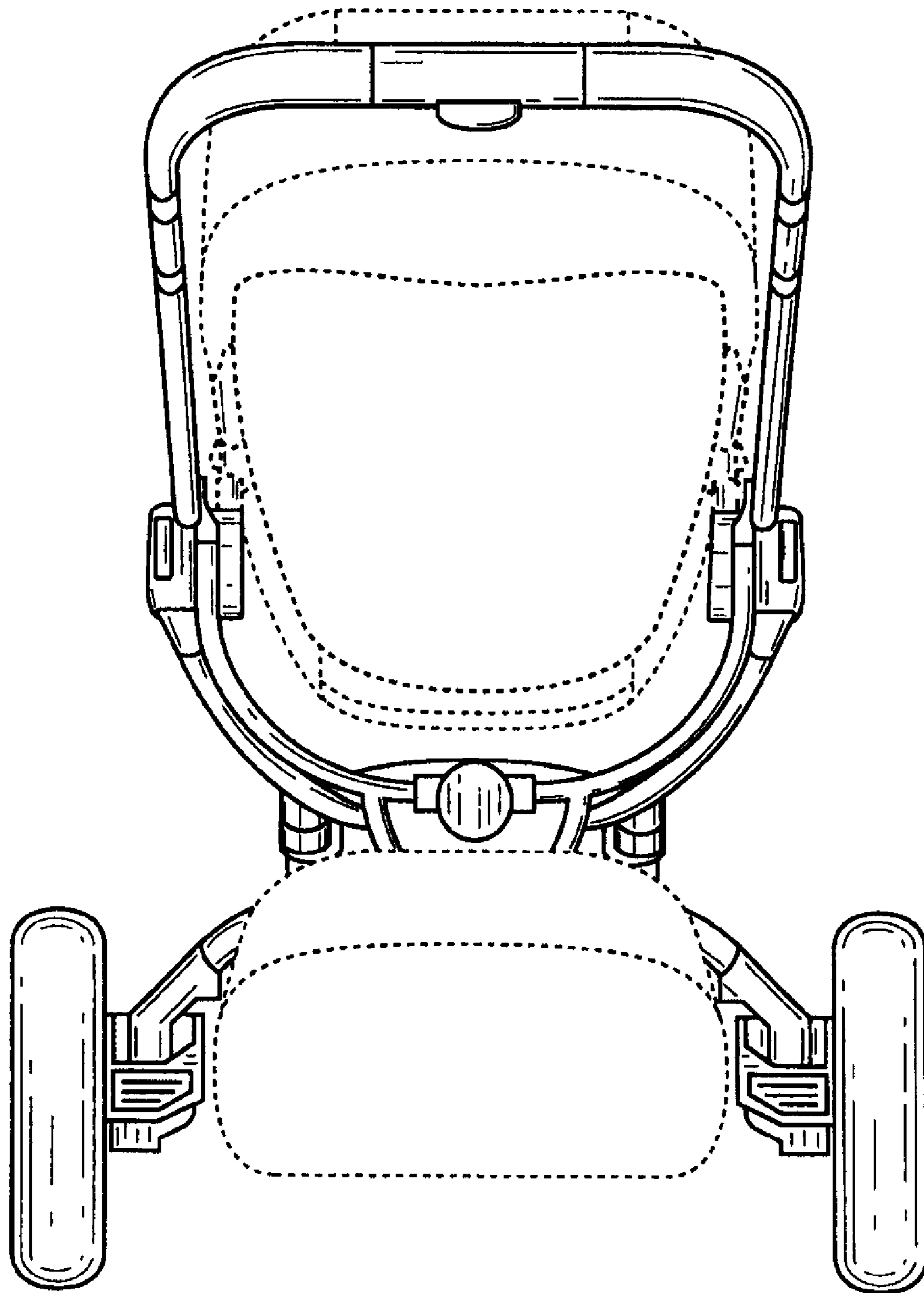




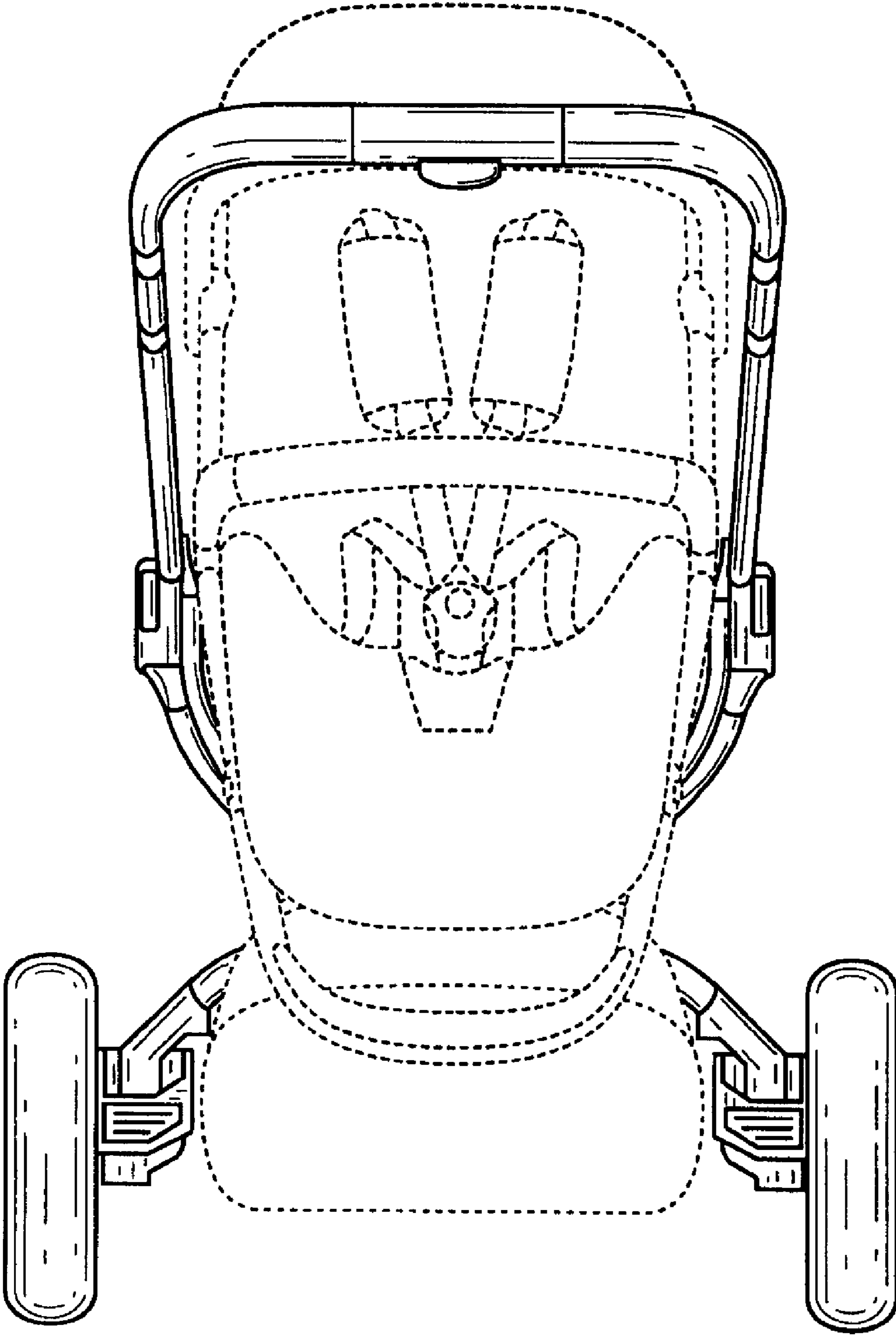
**FIG. 1**



**FIG. 2**

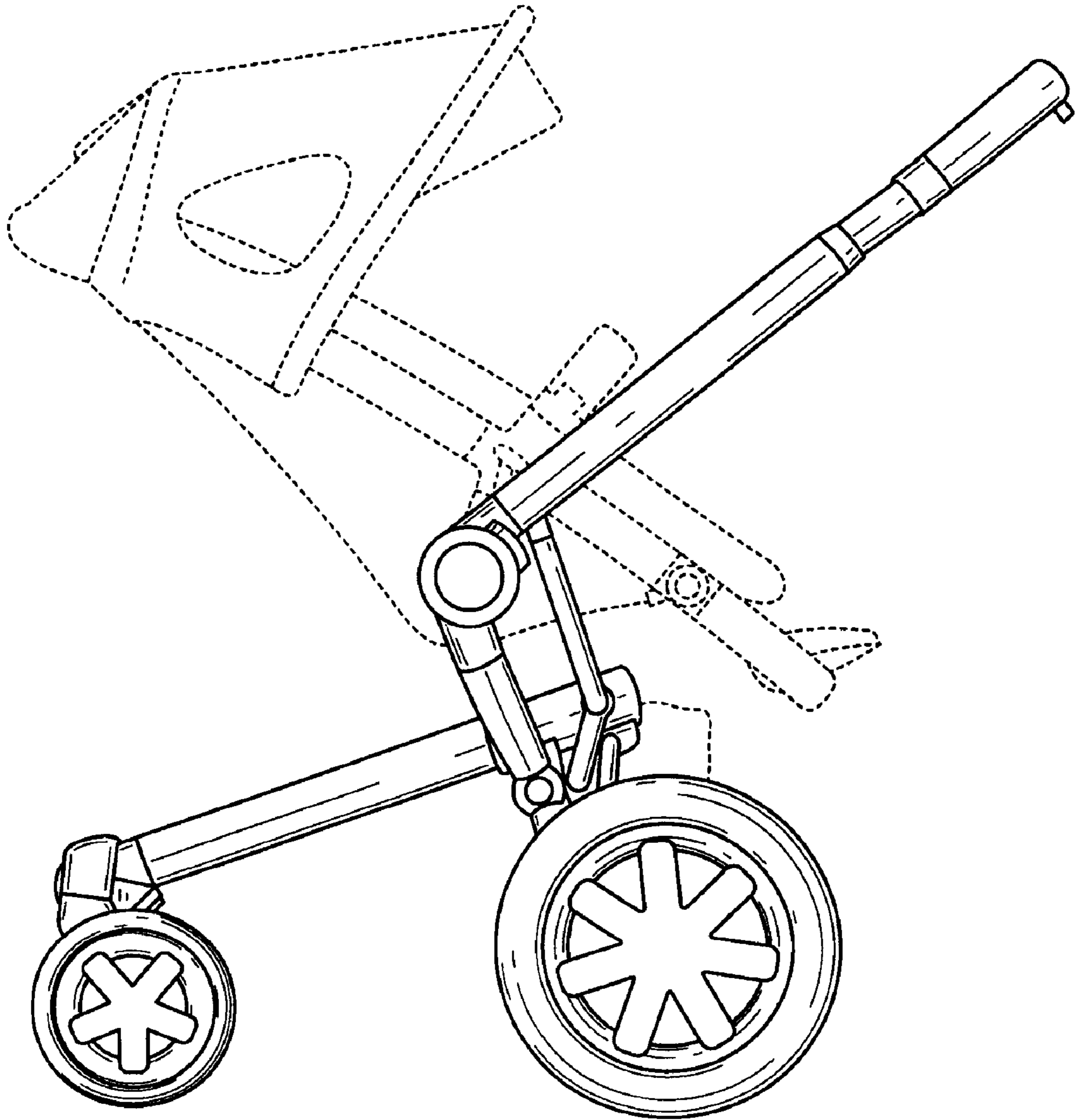


**FIG. 3**

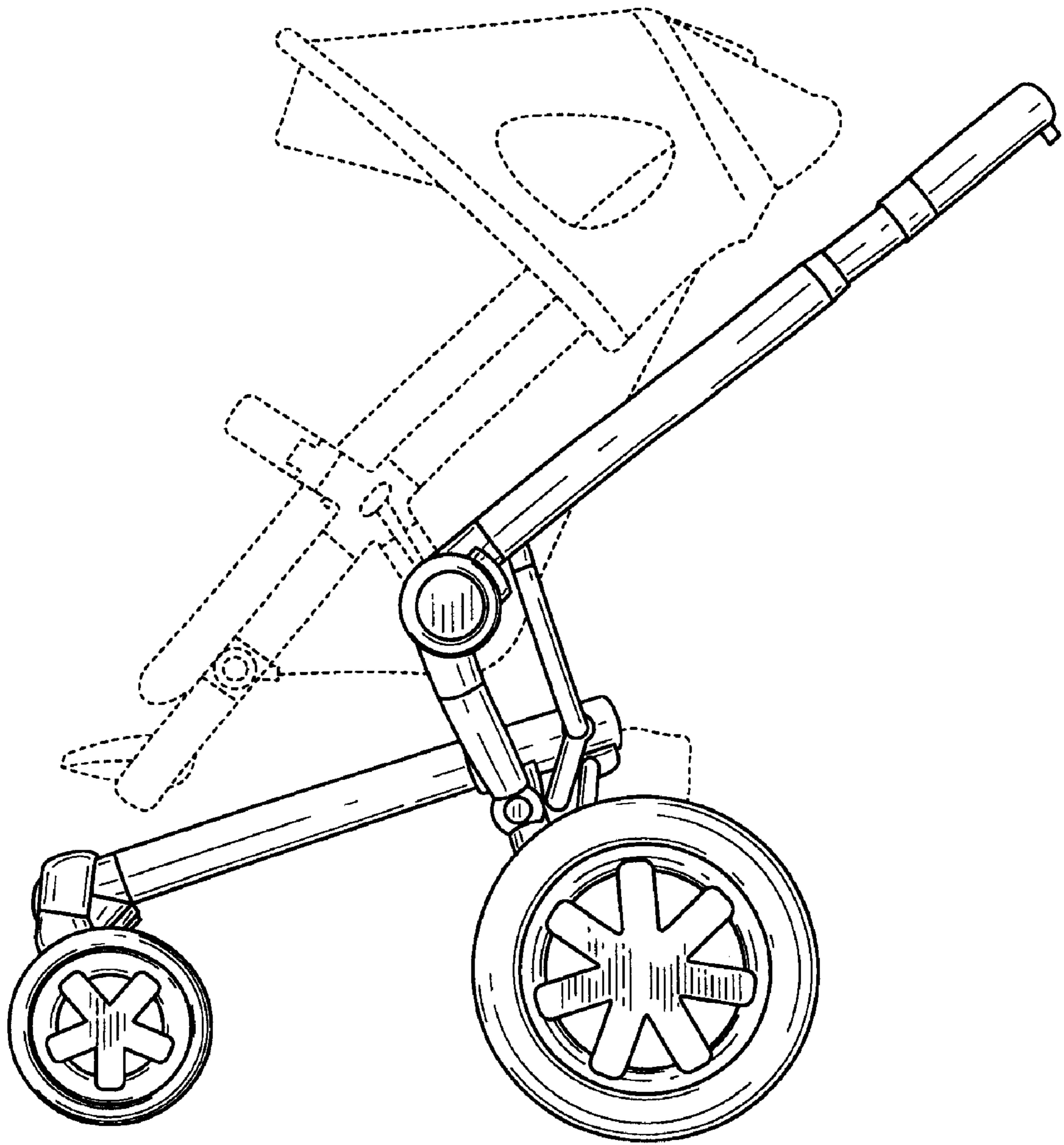


**FIG. 4**

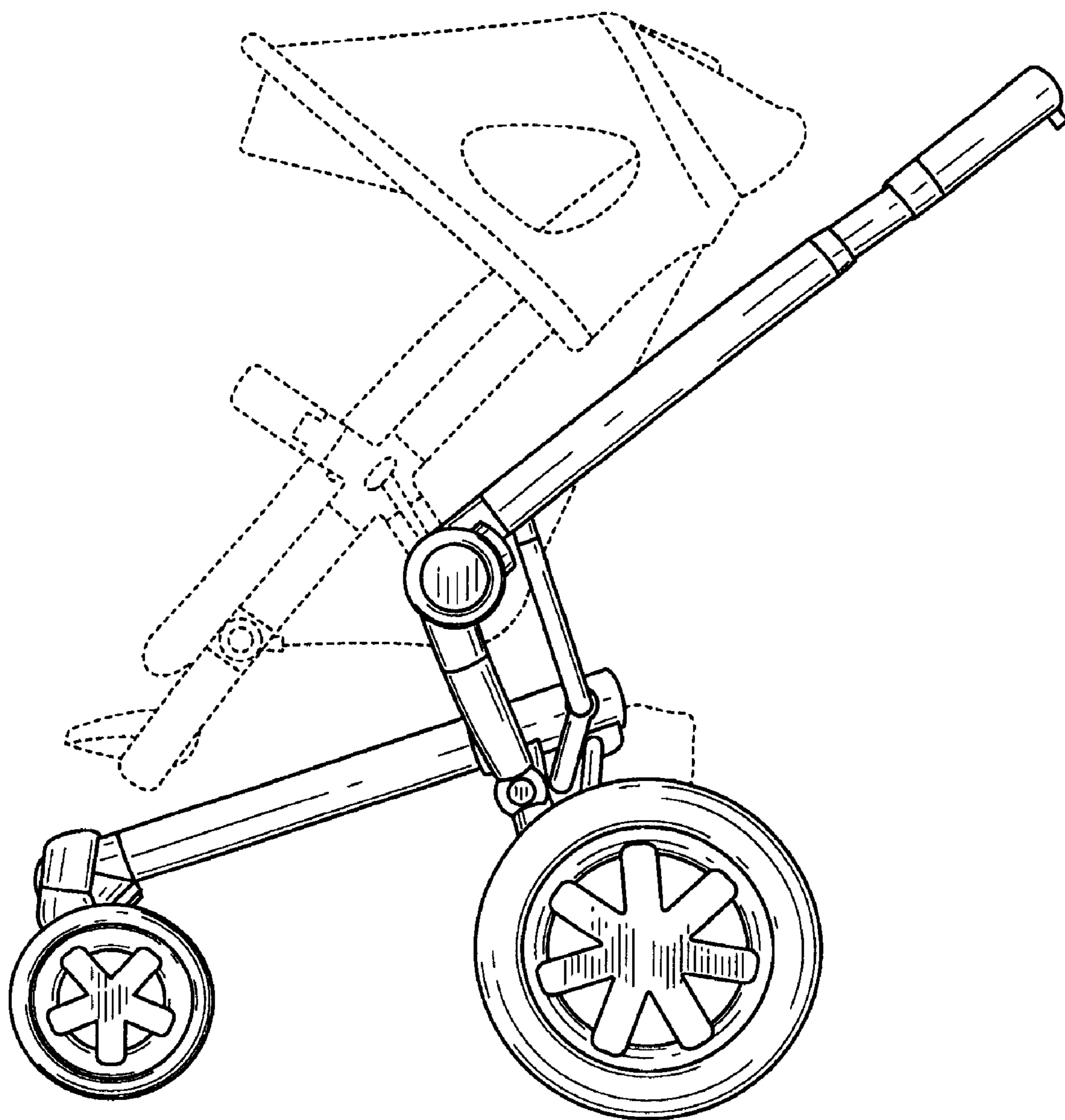




**FIG. 5**

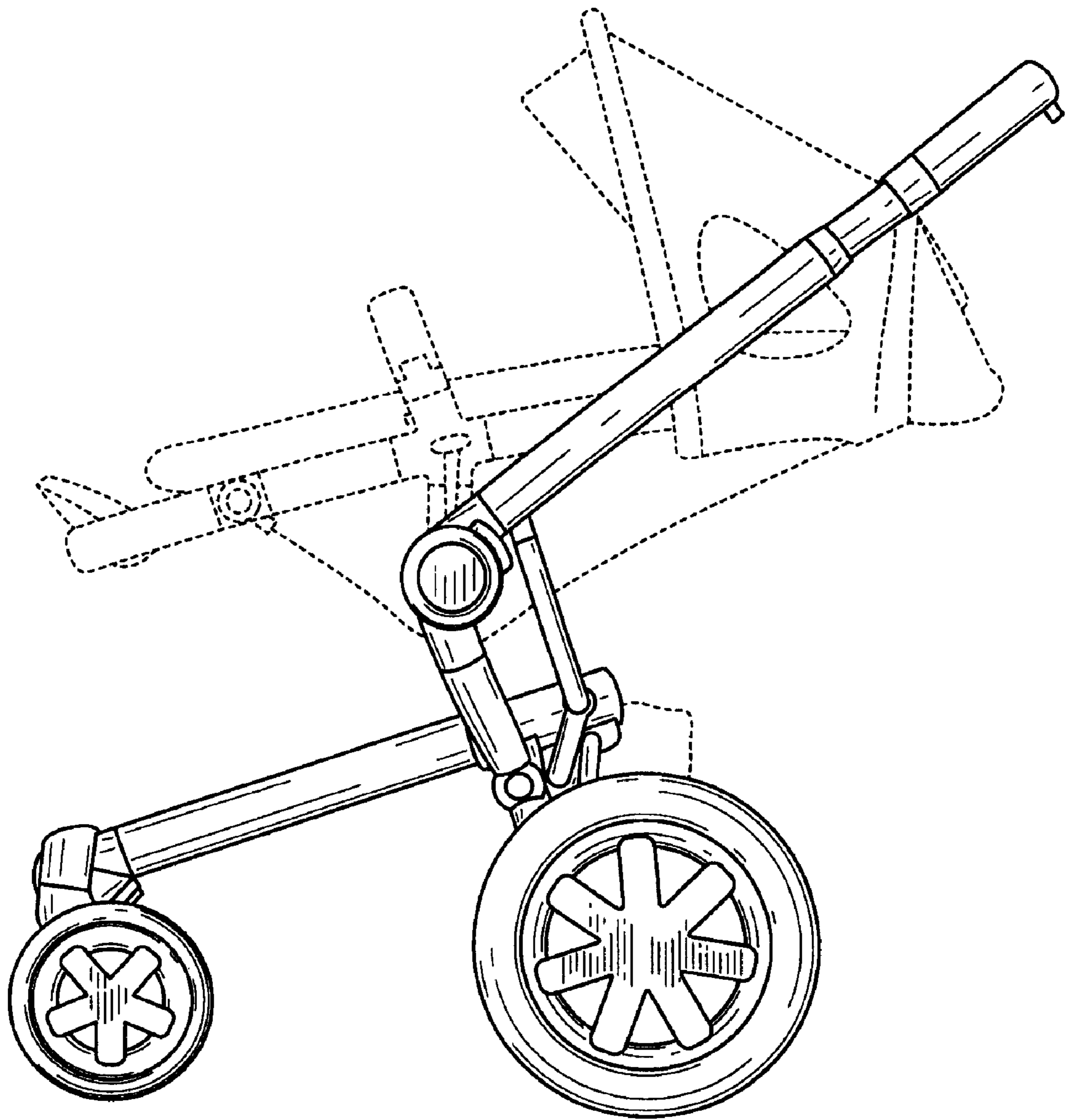


**FIG. 6**

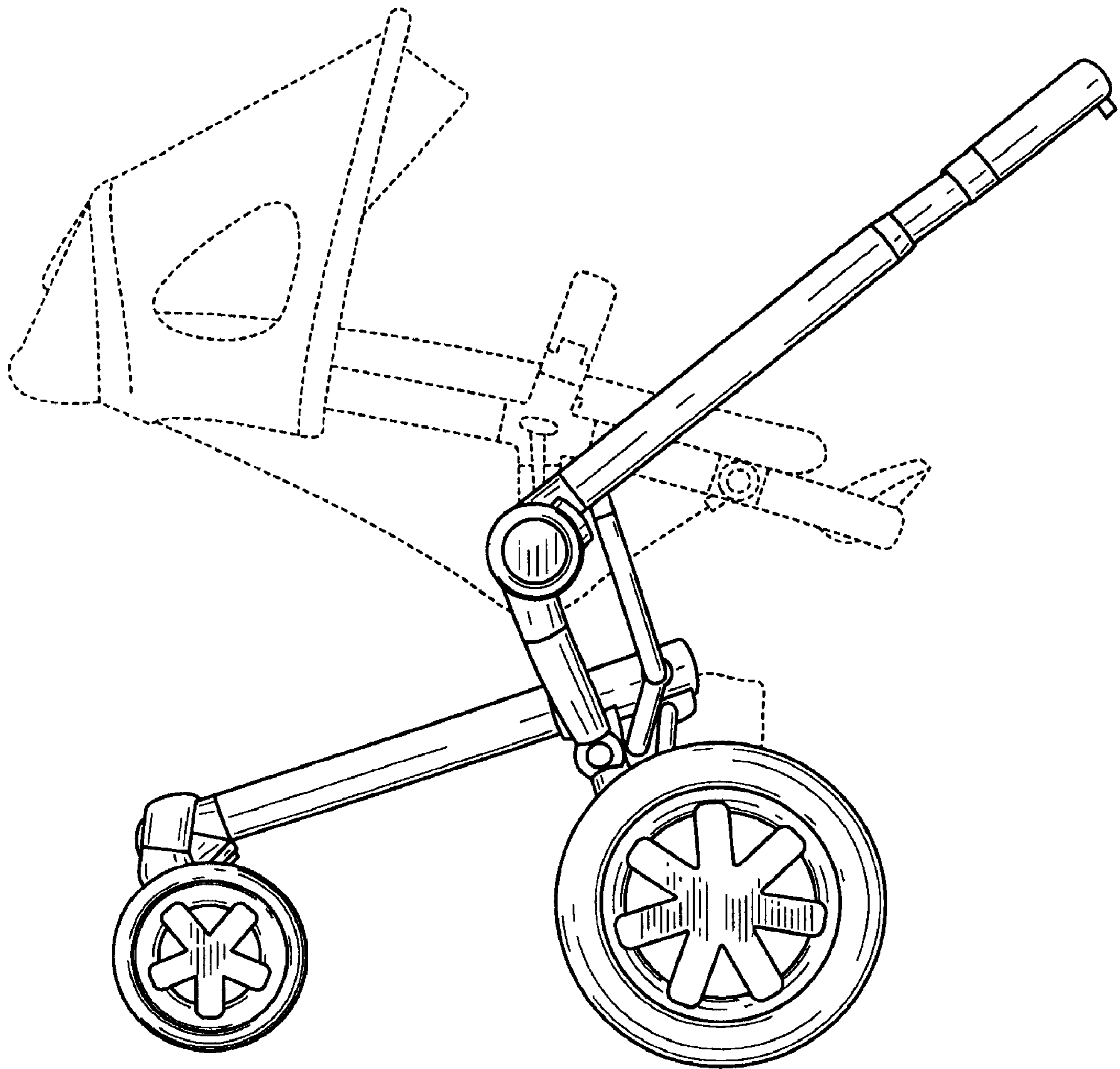


**FIG. 7**

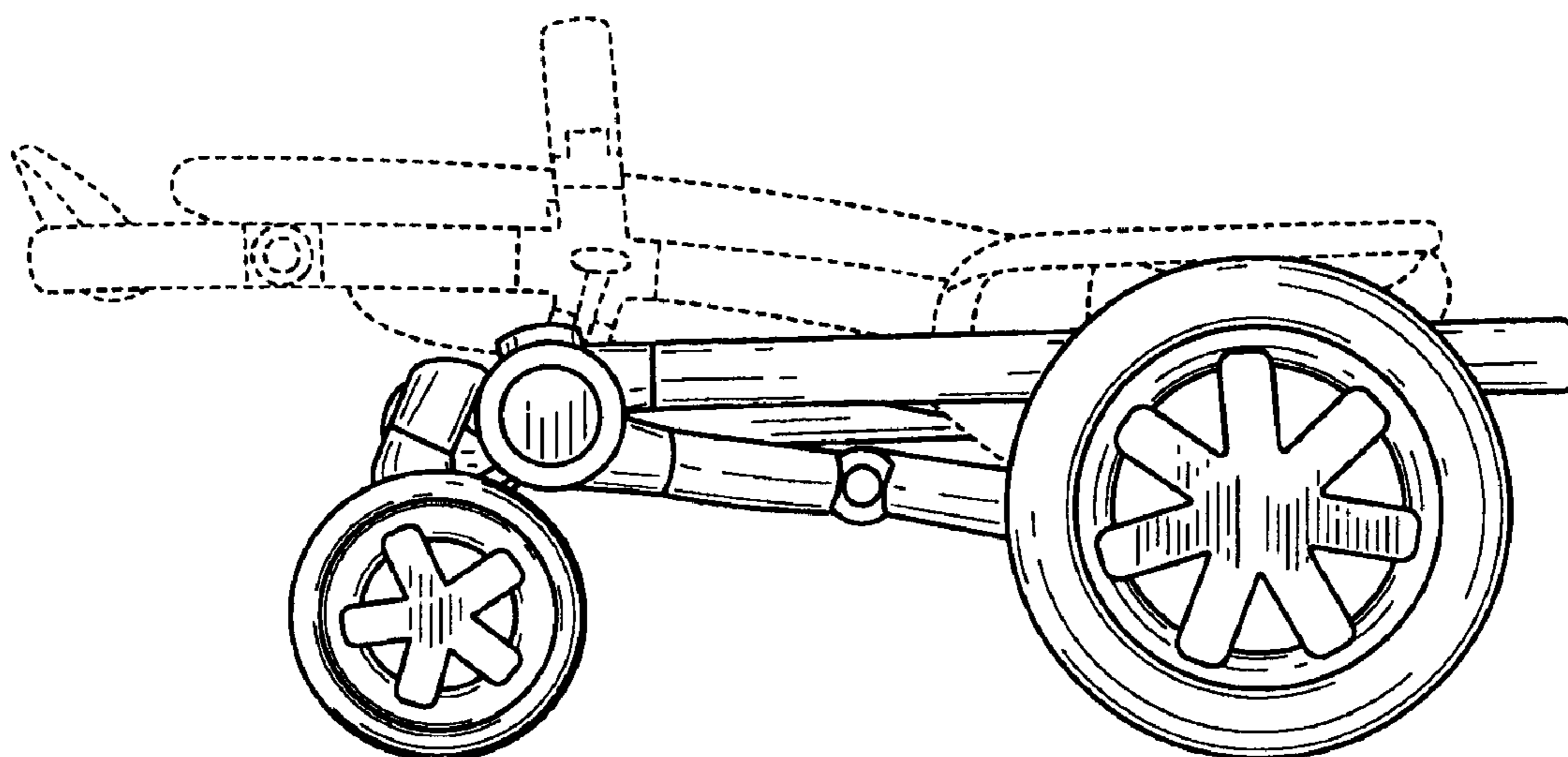




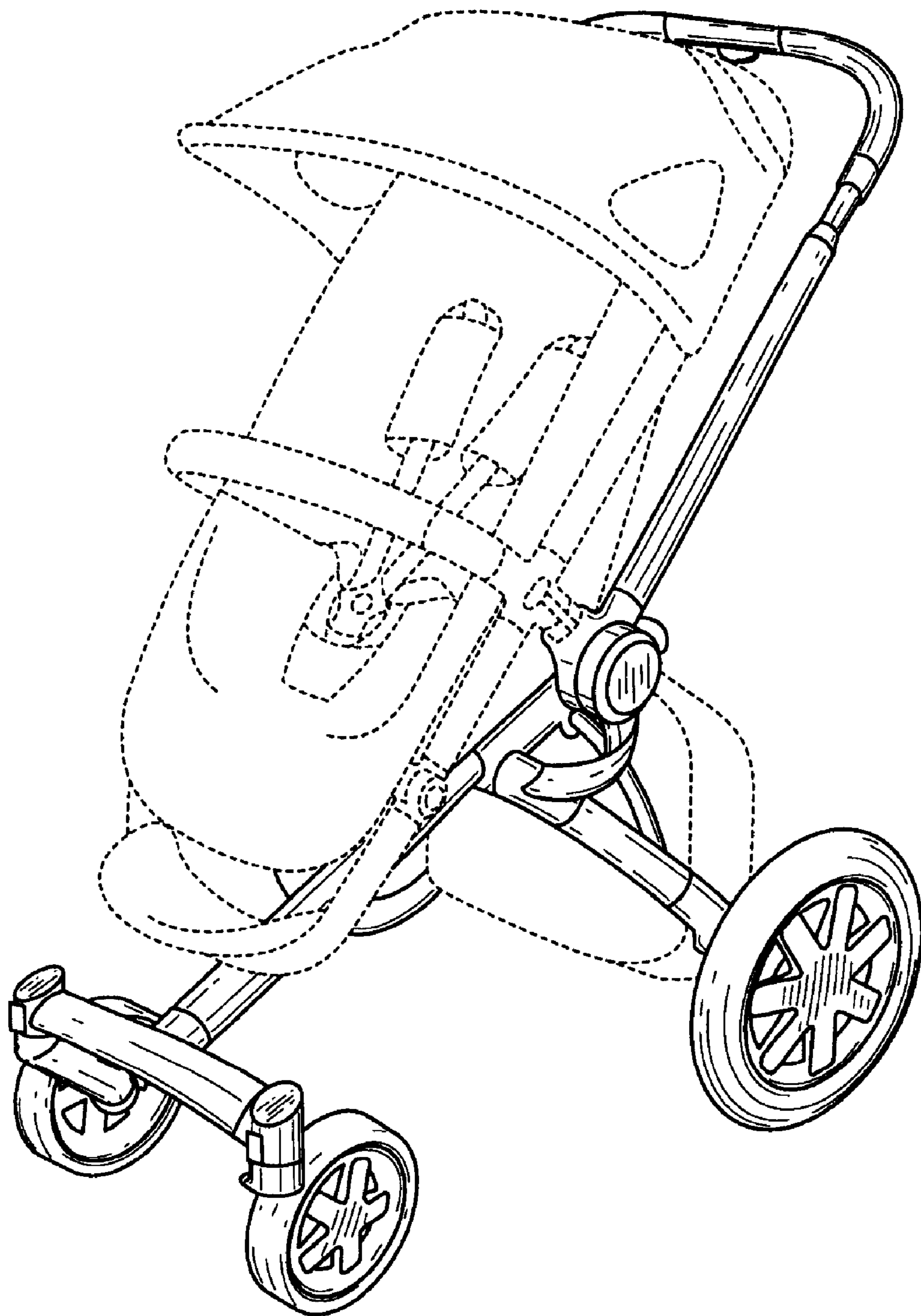
**FIG. 8**



**FIG. 9**

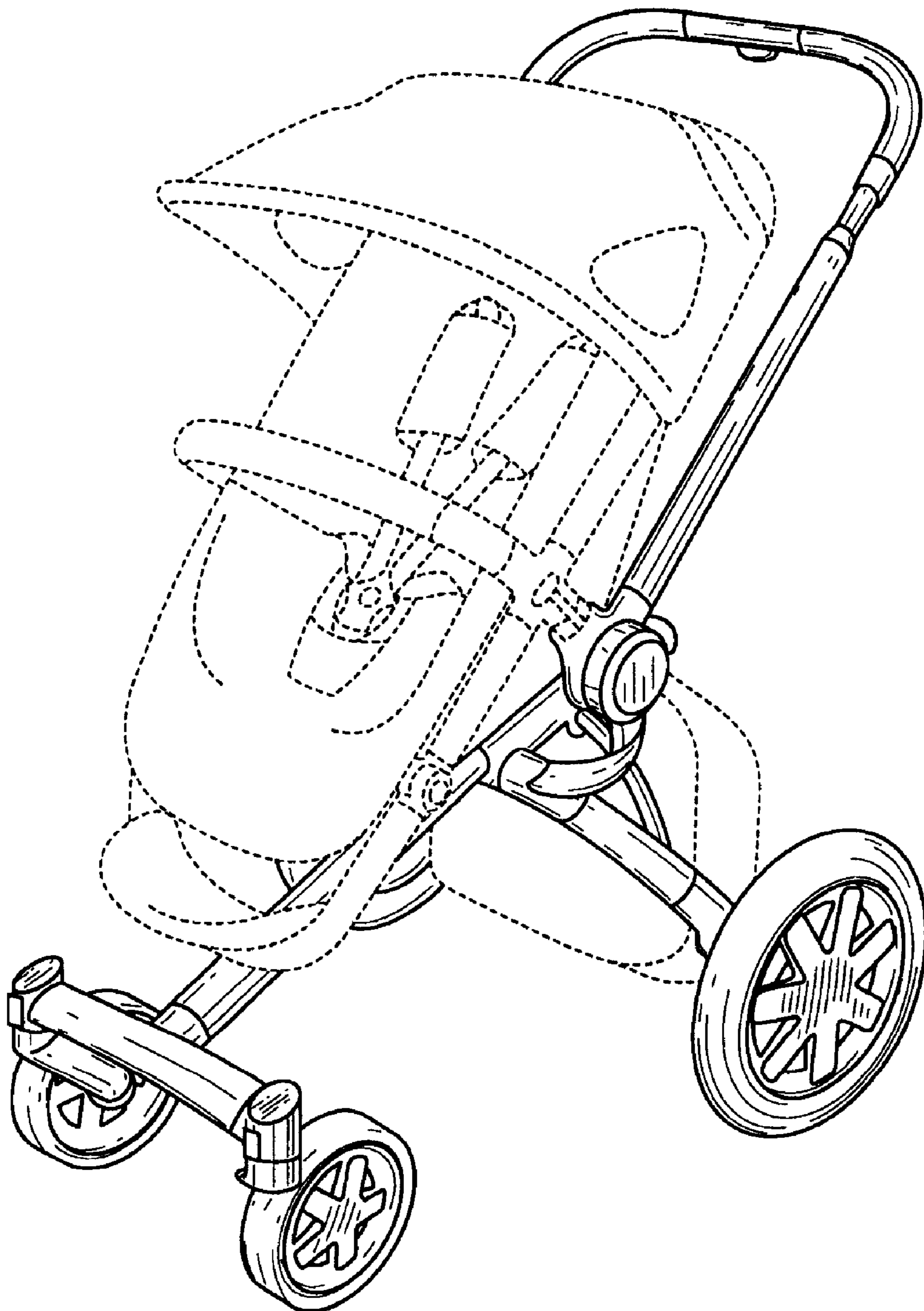


**FIG. 10**



**FIG. 11**





**FIG. 12**