



US00D585333S

(12) **United States Design Patent**
Mali

(10) **Patent No.:** **US D585,333 S**

(45) **Date of Patent:** **** Jan. 27, 2009**

(54) **REDUCED DRAG TRAILER**

(76) Inventor: **Sergei Mali**, 24 Meadow Ridge East,
Columbia, IL (US) 62236

(**) Term: **14 Years**

(21) Appl. No.: **29/276,592**

(22) Filed: **Jan. 30, 2007**

(51) **LOC (9) Cl.** **12-10**

(52) **U.S. Cl.** **D12/101**

(58) **Field of Classification Search** D12/101-103,
D12/95-100, 82, 86, 196, 93, 114, 400; 280/656,
280/204; 180/89.1; 296/181.1, 182.1, 185.1,
296/180.1, 180.4, 181.5; D15/27

See application file for complete search history.

(56) **References Cited**

U.S. PATENT DOCUMENTS

| | | | | |
|---------------|--------|---------------|-------|-----------|
| D182,288 S * | 3/1958 | Koller | | D12/103 |
| D182,505 S * | 4/1958 | Deckrow | | D12/106 |
| 4,257,641 A * | 3/1981 | Keedy | | 296/180.4 |
| 4,451,074 A * | 5/1984 | Scanlon | | 296/180.4 |
| 4,741,569 A * | 5/1988 | Sutphen | | 296/180.4 |
| D314,164 S * | 1/1991 | Barber et al. | | D12/97 |
| 5,280,990 A * | 1/1994 | Rinard | | 296/180.1 |
| 5,348,366 A * | 9/1994 | Baker et al. | | 296/180.4 |

| | | | | |
|----------------|---------|-----------------|-------|-----------|
| 6,286,894 B1 * | 9/2001 | Kingham | | 296/181.5 |
| 6,467,833 B1 * | 10/2002 | Travers | | 296/180.4 |
| 6,485,087 B1 * | 11/2002 | Roberge et al. | | 296/180.5 |
| 7,207,620 B2 * | 4/2007 | Cosgrove et al. | | 296/180.4 |
| 7,216,923 B2 * | 5/2007 | Wong et al. | | 296/180.2 |

* cited by examiner

Primary Examiner—Caron Veynar

Assistant Examiner—Abraham Bahta

(74) *Attorney, Agent, or Firm*—Grace J. Fishel

(57) **CLAIM**

The ornamental design for a reduced drag trailer, as shown.

DESCRIPTION

FIG. 1 is a rear perspective view of a reduced drag trailer showing my design in use with the rear doors shown open in broken lines;

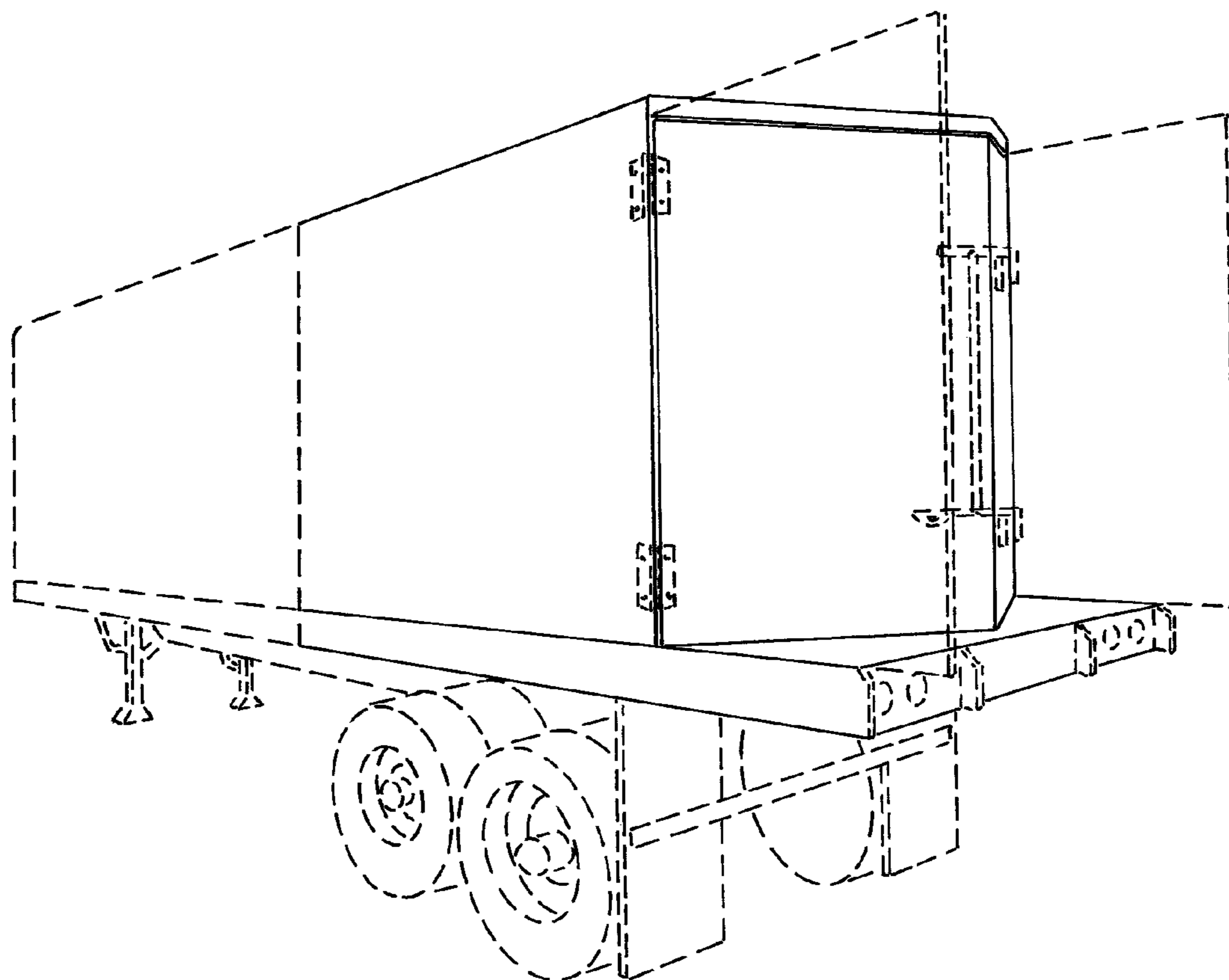
FIG. 2 is an top plan view thereof;

FIG. 3 is a left side elevational view thereof, the right side being a mirror image; and,

FIG. 4 is a rear end view thereof.

Portions of the trailer shown in broken lines in the drawings denote environment and boundaries that form no part of the claimed design.

1 Claim, 2 Drawing Sheets



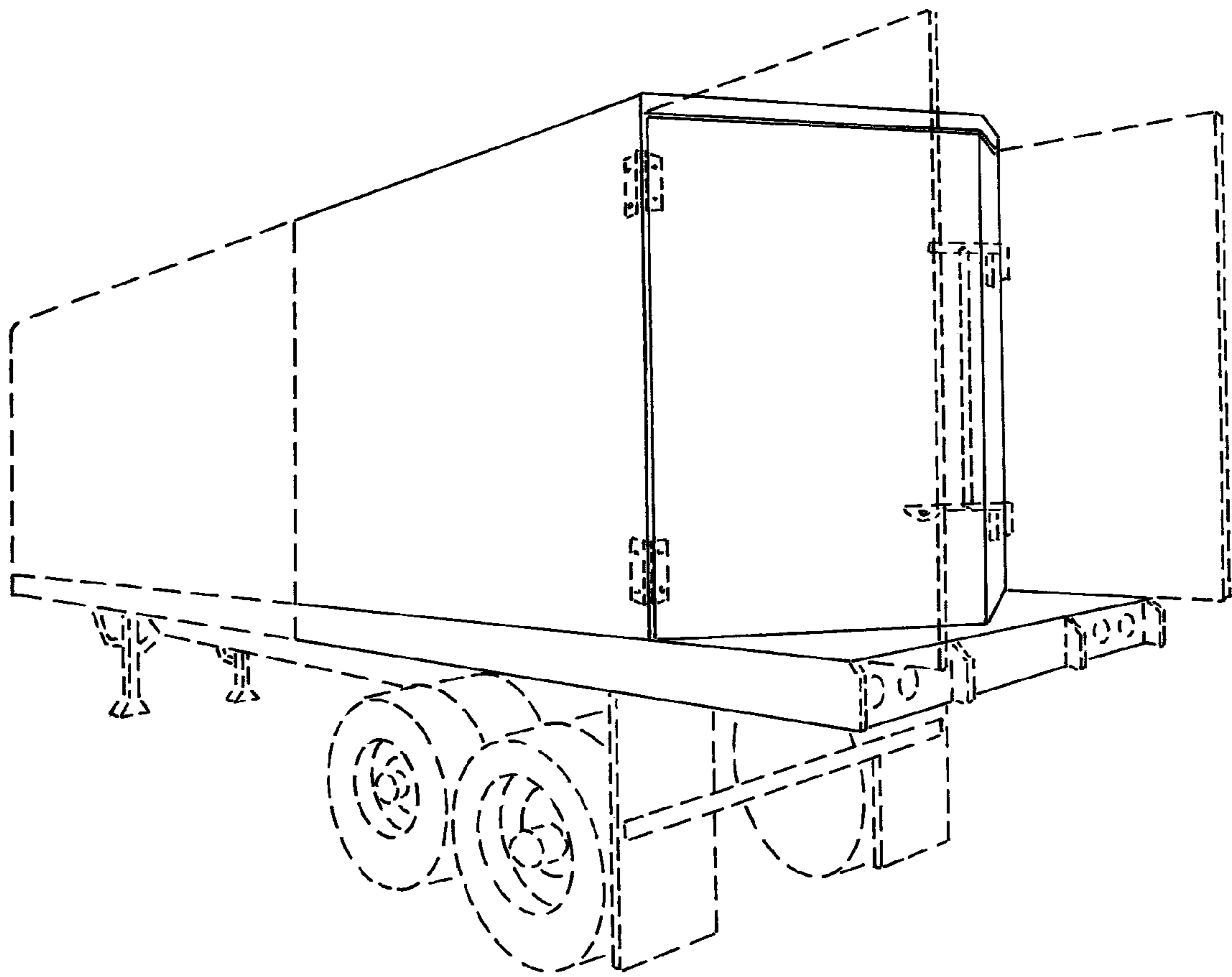


FIG. 1

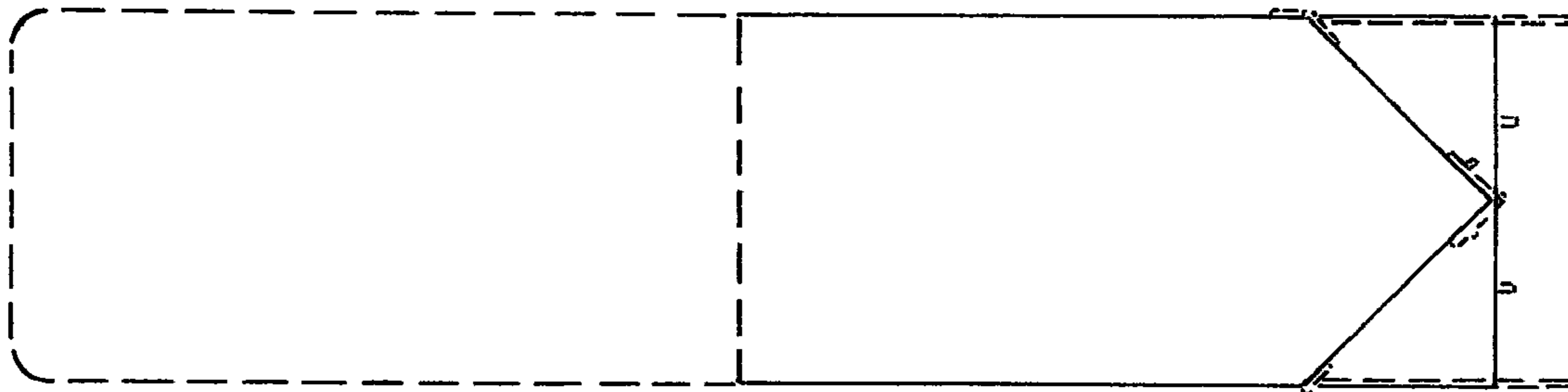


FIG. 2

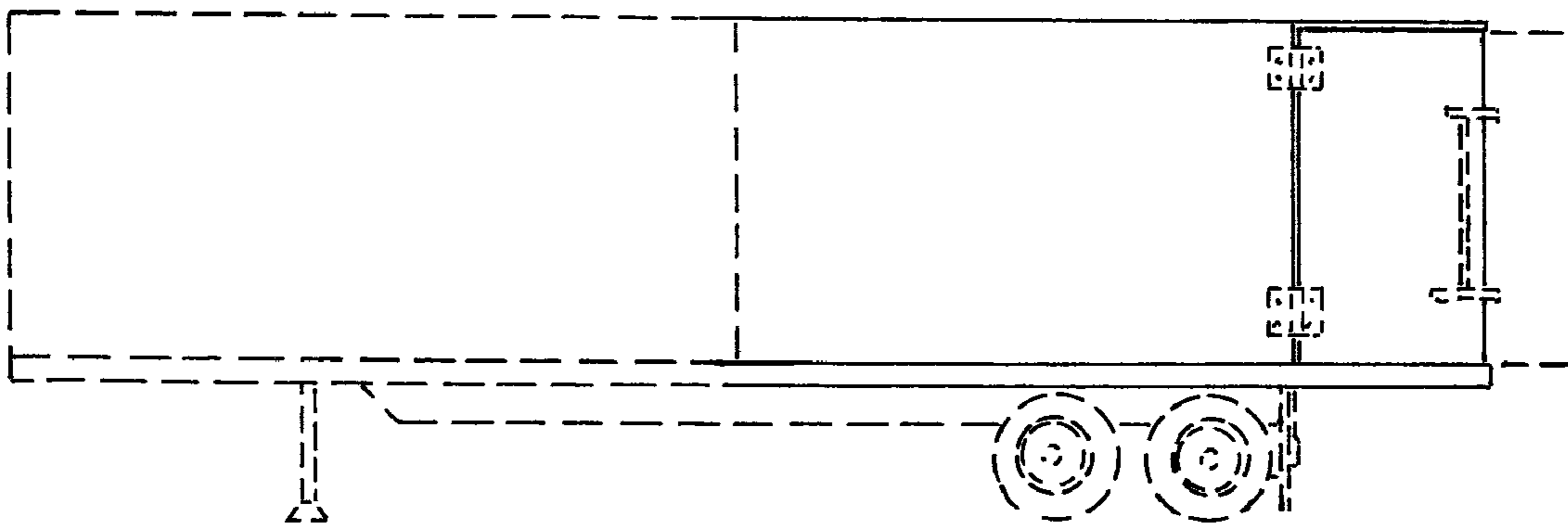


FIG. 3

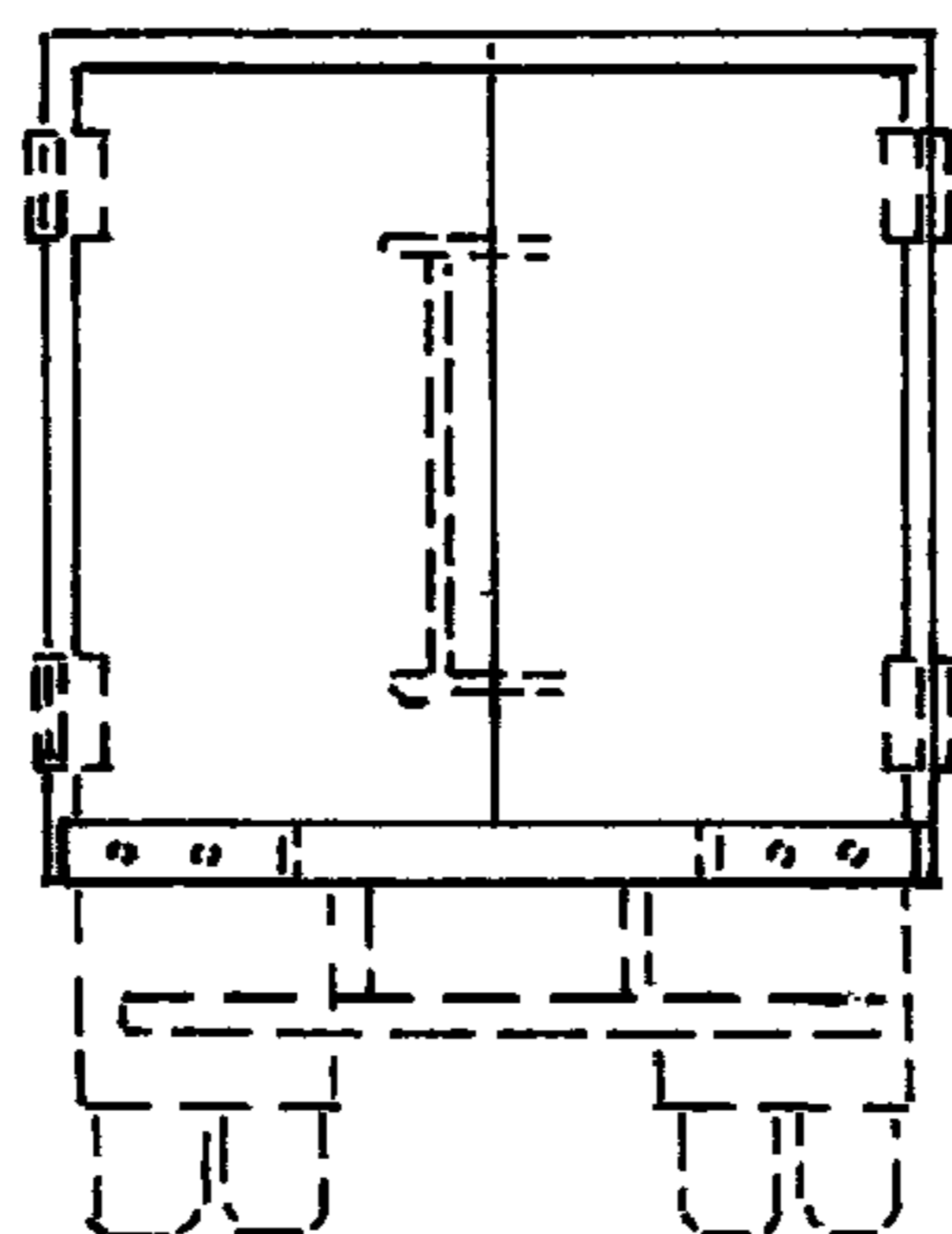


FIG. 4