

US00D585332S

(12) **United States Design Patent**
Marks et al.

(10) **Patent No.:** **US D585,332 S**
(45) **Date of Patent:** **** Jan. 27, 2009**

(54) **SNOW SCOOTER**

(76) Inventors: **Lynn Sue Marks**, 17410 73rd Dr. NE.,
Arlington, WA (US) 98223; **Bentley**
Wayne Surdyk, 17410 73rd Dr. NE.,
Arlington, WA (US) 98223

(**) Term: **14 Years**

(21) Appl. No.: **29/307,872**

(22) Filed: **May 17, 2008**

(51) **LOC (9) Cl.** **12-04**

(52) **U.S. Cl.** **D12/10**

(58) **Field of Classification Search** D12/1,
D12/110-113, 6-11, 128, 129, 130; D21/419-435,
D21/766-767, 769, 760, 765, 764; 280/87.1,
280/87.021, 87.041, 263, 288.1, 288.2, 200,
280/210, 214, 29, 14.27, 14.28, 28.11, 603-607;
180/180, 181, 65.1

See application file for complete search history.

(56) **References Cited**

U.S. PATENT DOCUMENTS

| | | | | | | |
|-----------|---|---|---------|----------------|-------|-----------|
| D126,833 | S | * | 4/1941 | Hylan | | D12/8 |
| D210,544 | S | * | 3/1968 | Fleisher | | D12/8 |
| D215,458 | S | * | 10/1969 | Latch | | D12/10 |
| D215,950 | S | * | 11/1969 | Porsche et al. | | D12/10 |
| D223,267 | S | * | 4/1972 | Molzen et al. | | D12/10 |
| D224,125 | S | * | 7/1972 | Boganowski | | D12/8 |
| 4,708,353 | A | * | 11/1987 | Evequoz | | 280/16 |
| 5,351,975 | A | * | 10/1994 | Petoud | | 280/14.28 |

| | | | | | | |
|--------------|----|---|---------|----------------|-------|------------|
| D451,162 | S | * | 11/2001 | Spiers | | D21/767 |
| 6,378,879 | B2 | * | 4/2002 | Rappaport | | 280/87.041 |
| D460,137 | S | * | 7/2002 | Burger | | D21/767 |
| D460,720 | S | * | 7/2002 | Aguilar | | D12/8 |
| D466,833 | S | * | 12/2002 | Pan | | D12/8 |
| D467,199 | S | * | 12/2002 | McClure et al. | | D12/8 |
| 6,805,364 | B2 | * | 10/2004 | McClure et al. | | 280/14.28 |
| 6,969,076 | B2 | * | 11/2005 | Spiers | | 280/14.28 |
| 7,374,180 | B2 | * | 5/2008 | Farmer | | 280/14.27 |
| 2005/0258609 | A1 | * | 11/2005 | Yeh | | 280/14.27 |
| 2007/0096410 | A1 | * | 5/2007 | Spencer | | 280/14.27 |
| 2007/0267827 | A1 | * | 11/2007 | Lasala | | 280/14.28 |

* cited by examiner

Primary Examiner—Robert M Spear
Assistant Examiner—Ania K Dworzecka
(74) *Attorney, Agent, or Firm*—Ted Masters

(57) **CLAIM**

The ornamental design for a snow scooter, as shown.

DESCRIPTION

FIG. 1 is a perspective view of a snow scooter showing our new design;

FIG. 2 is a front elevation view of the snow scooter;

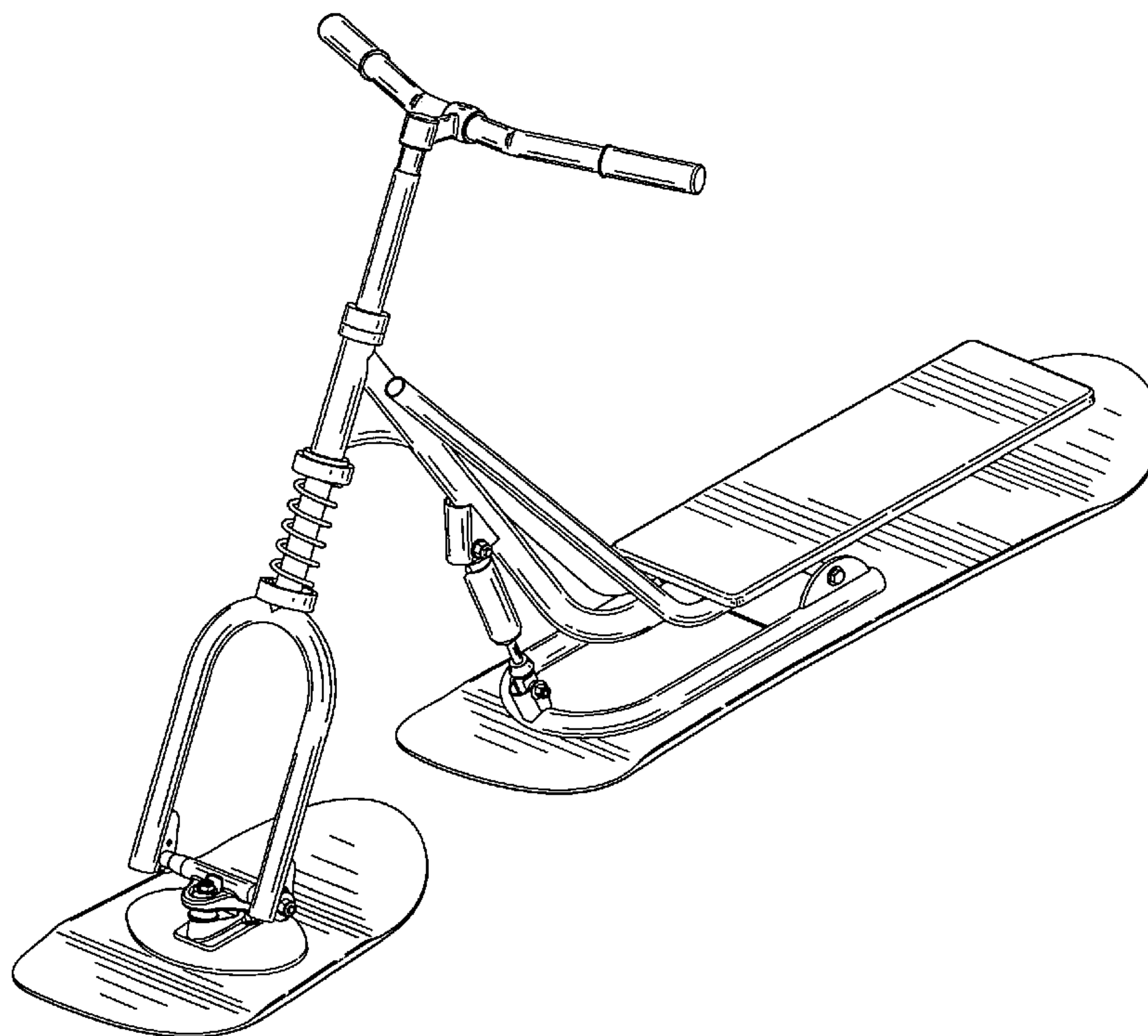
FIG. 3 is a left side elevation view of the snow scooter;

FIG. 4 is a right side elevation view of the snow scooter;

FIG. 5 is a top plan view of the snow scooter; and,

FIG. 6 is a bottom plan view of the snow scooter.

1 Claim, 6 Drawing Sheets



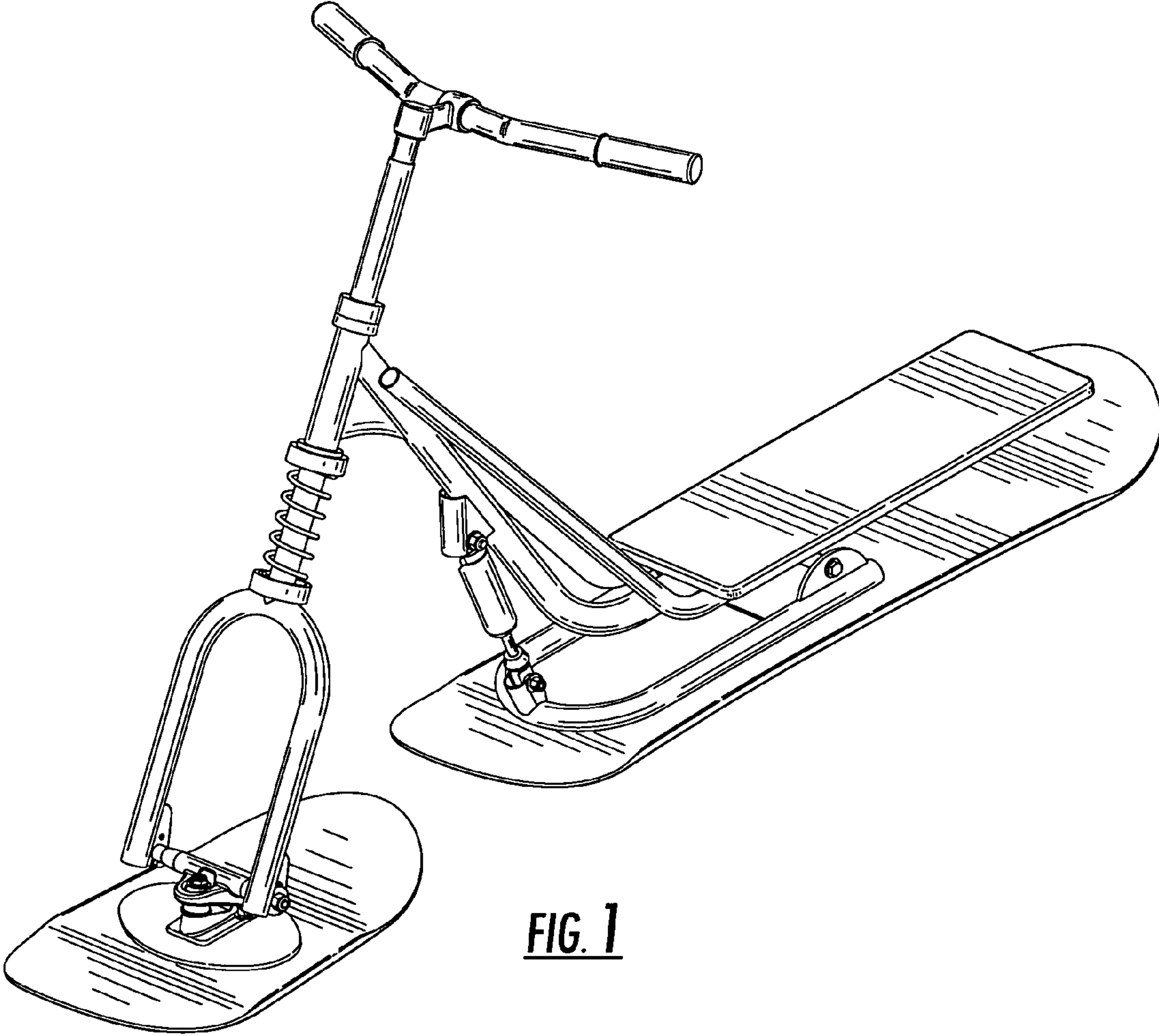


FIG. 1

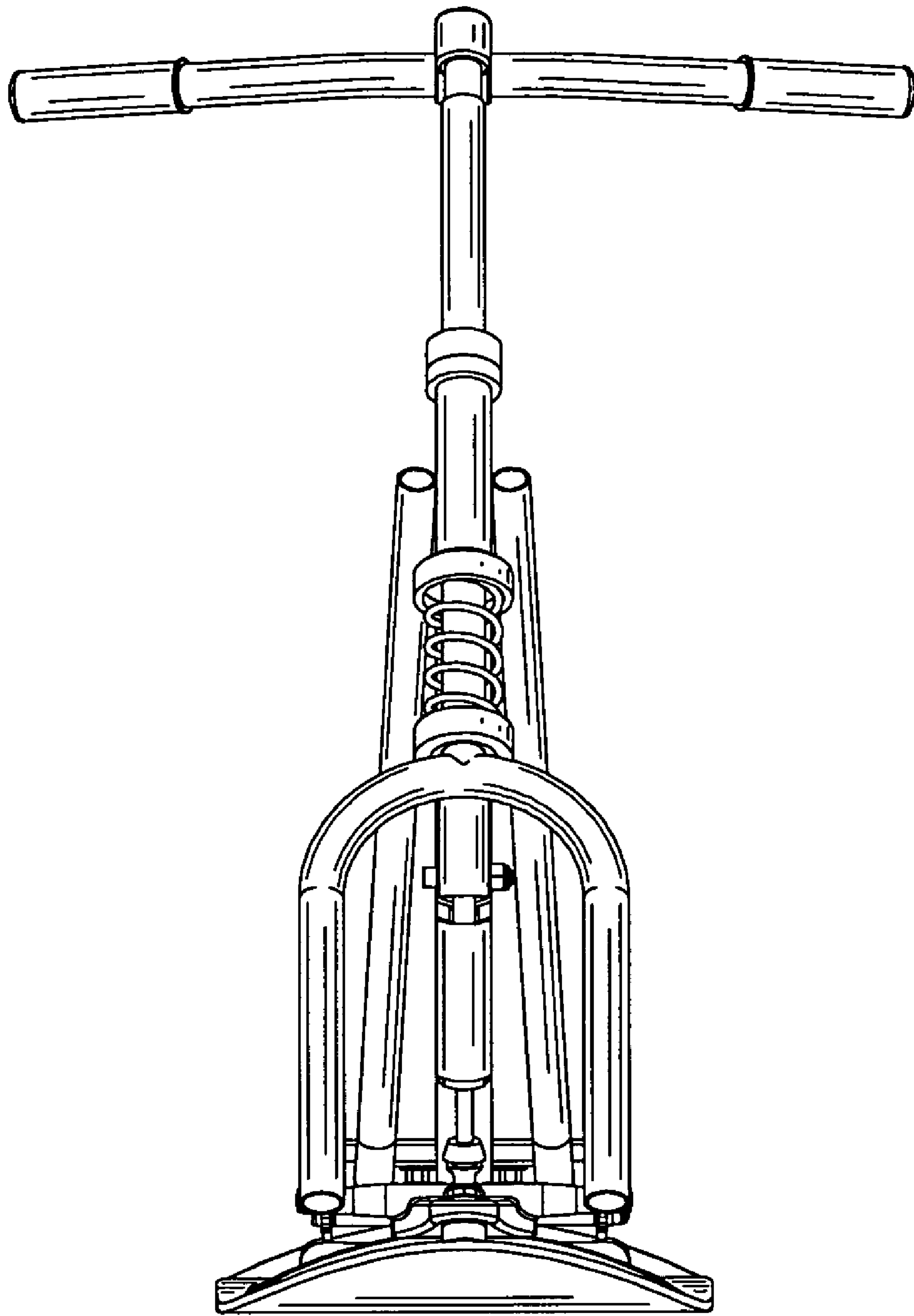


FIG. 2

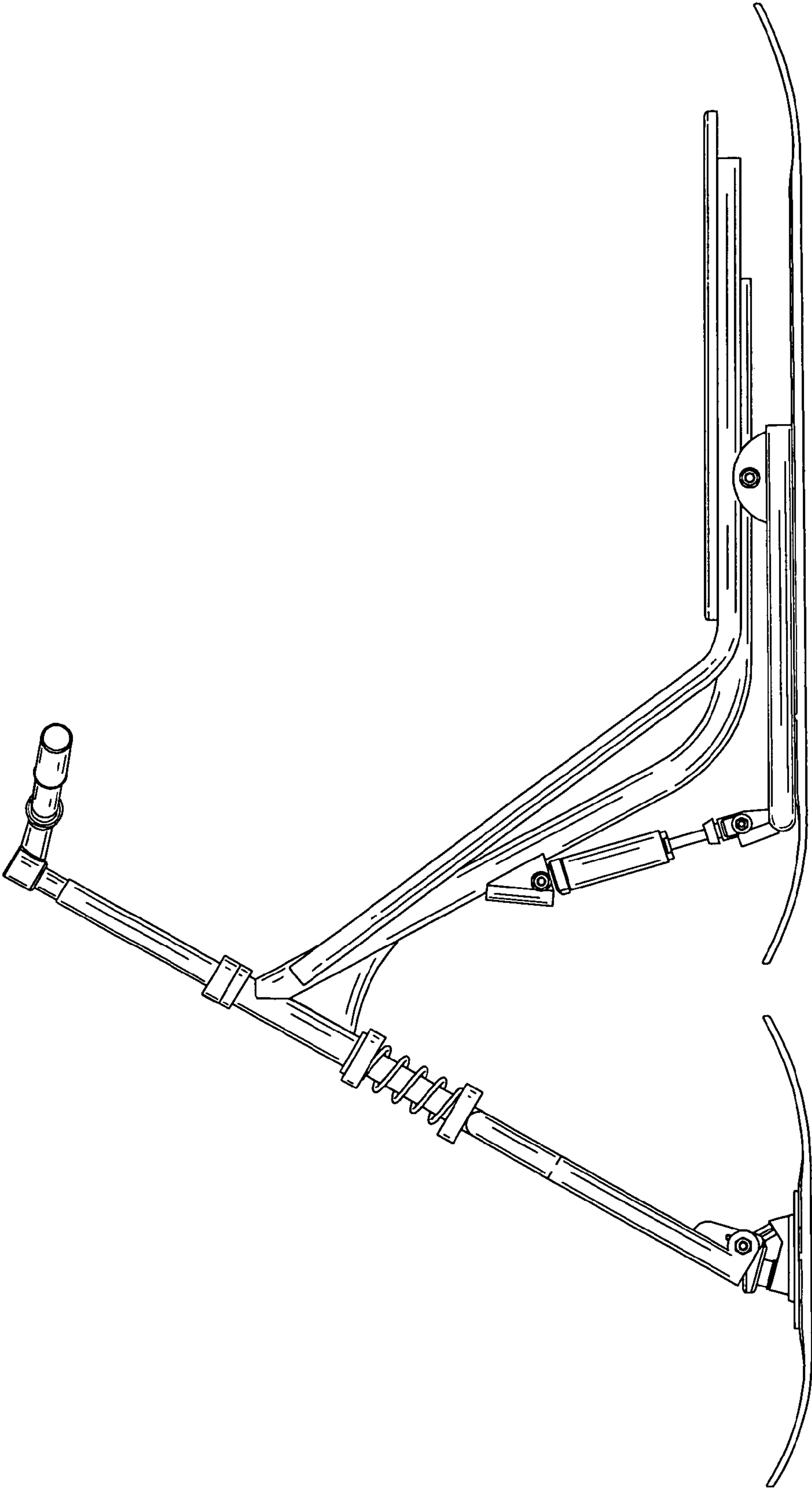


FIG. 3

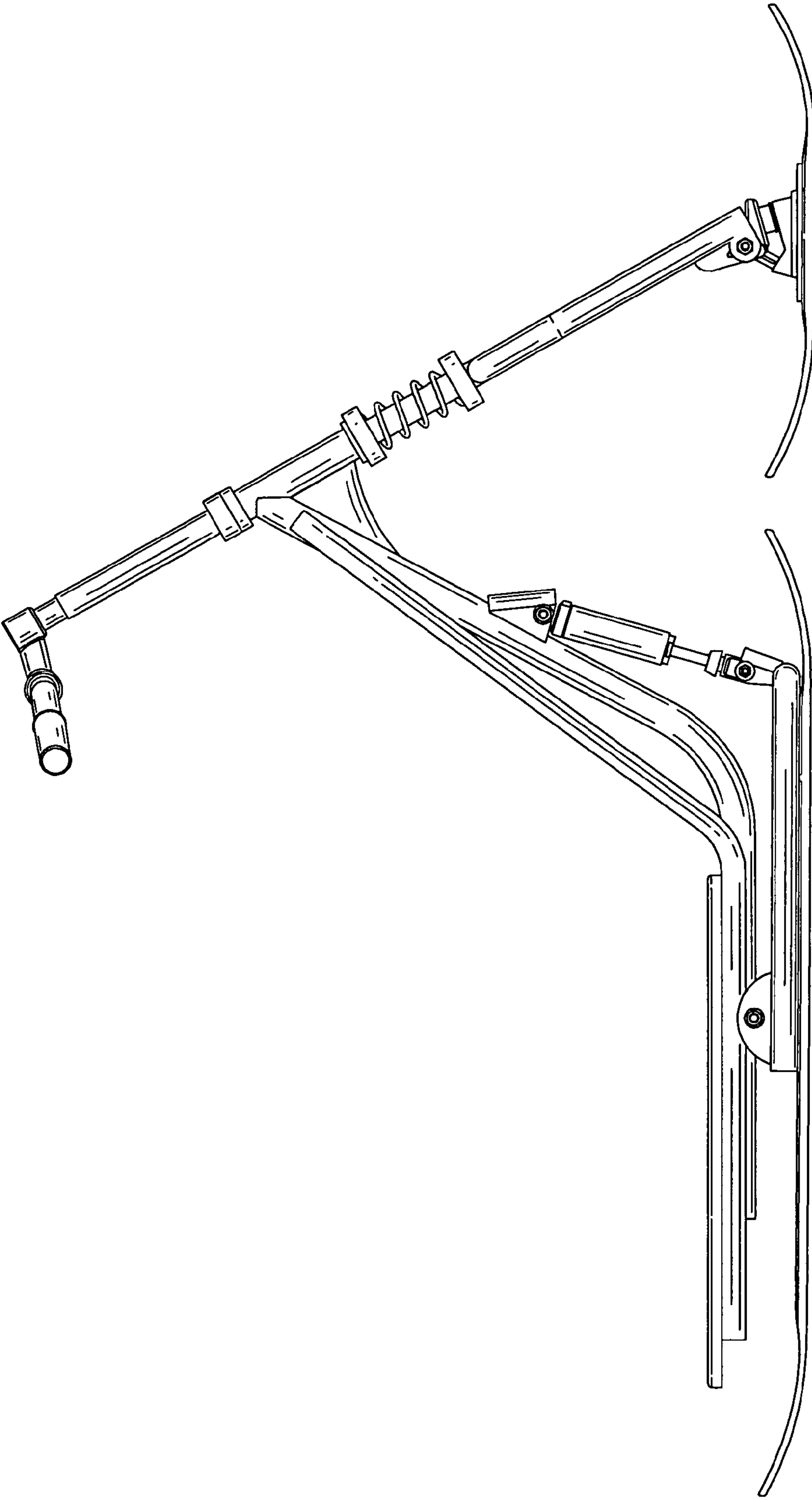


FIG. 4

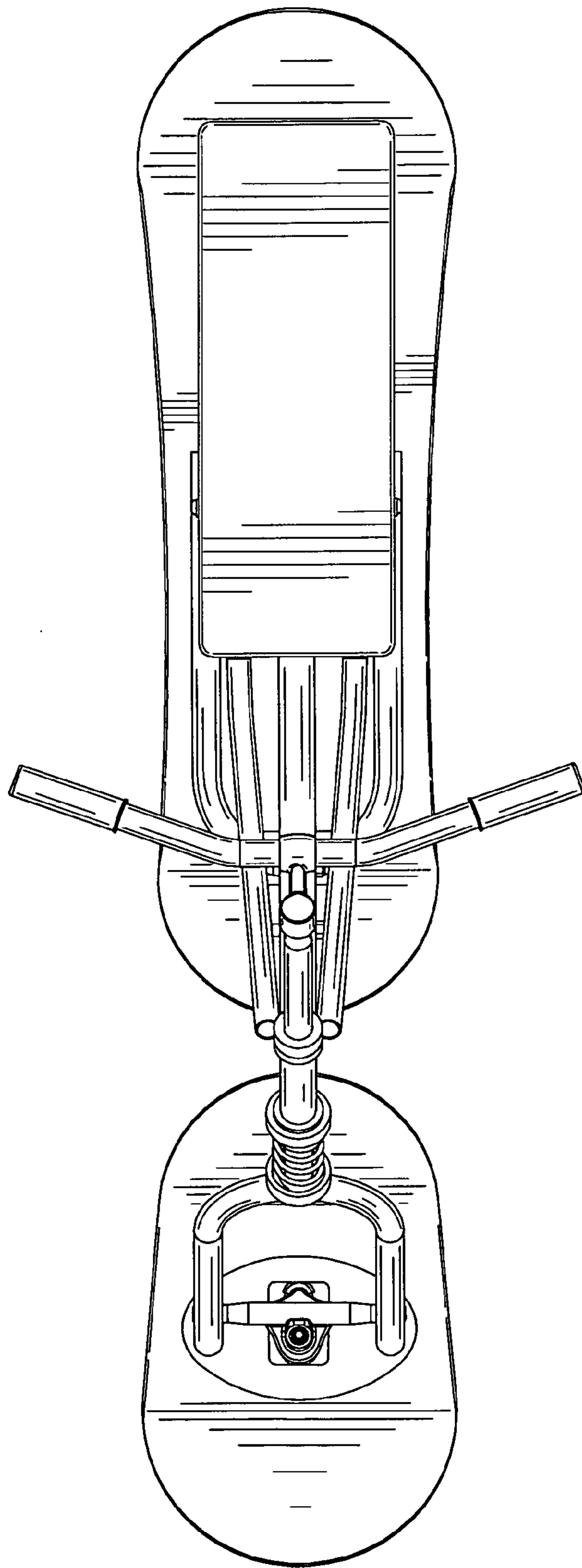


FIG. 5

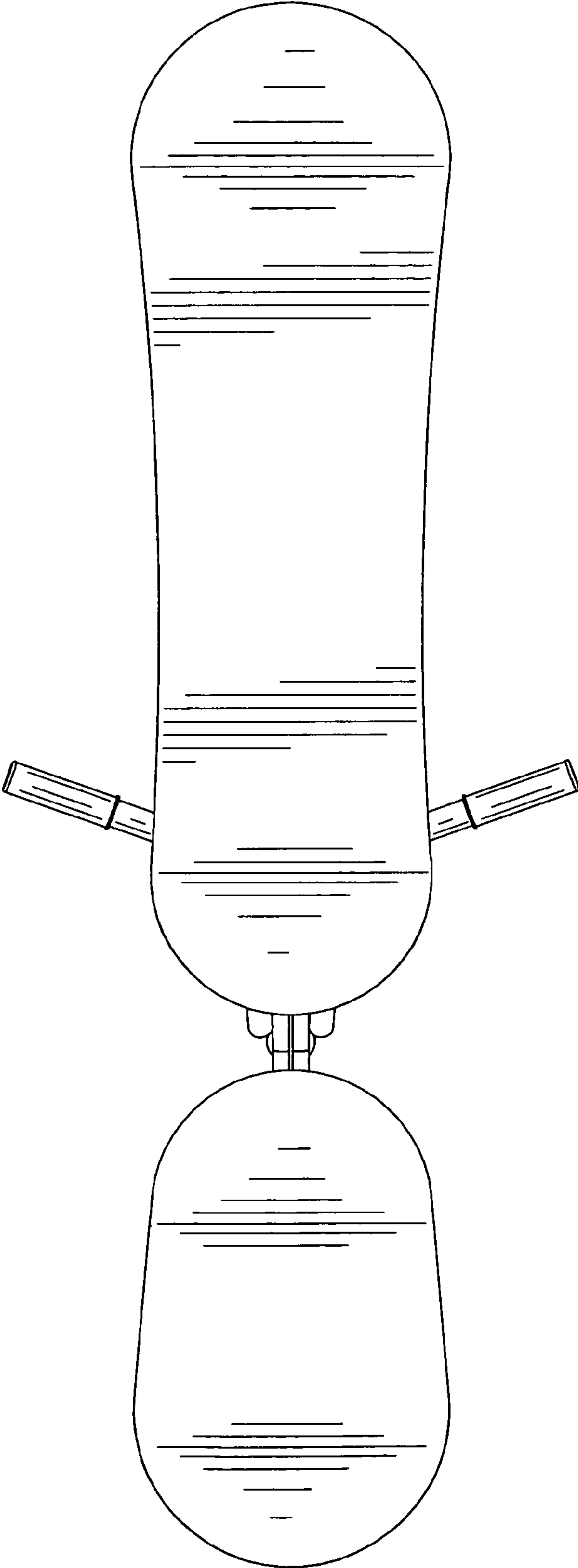


FIG. 6