



US00D585331S

(12) **United States Design Patent**
Kumazaki et al.

(10) **Patent No.:** **US D585,331 S**
(45) **Date of Patent:** **** Jan. 27, 2009**

(54) **BUCKLE**

(75) Inventors: **Daisuke Kumazaki**, Kyoto (JP); **Junji Takamoto**, Kyoto (JP); **Kenichiro Ashida**, Kyoto (JP); **Akiko Suga**, Kyoto (JP)

(73) Assignee: **Nintendo Co., Ltd.**, Kyoto (JP)

(**) Term: **14 Years**

(21) Appl. No.: **29/293,946**

(22) Filed: **Dec. 19, 2007**

(30) **Foreign Application Priority Data**

Jun. 27, 2007 (JP) 2007-017102

(51) **LOC (9) Cl.** **02-07**

(52) **U.S. Cl.** **D11/216**

(58) **Field of Classification Search** D8/383;
D11/216, 200, 201, 208–210, 212–218, 94,
D11/220, 230–234, 236–237, 86–87; 24/307,
24/625, 616, 200, 196, 637, 171, 169, 112,
24/614, 615, 174, 163 R, 90.1; D3/215, 212
See application file for complete search history.

(56) **References Cited**

U.S. PATENT DOCUMENTS

- D171,045 S * 12/1953 Noe D11/216
- D200,772 S * 4/1965 Dahms D11/216
- D215,195 S * 9/1969 Krengel D11/216
- D302,140 S * 7/1989 Johnston D11/216
- D327,455 S * 6/1992 Blair D11/216
- D333,640 S * 3/1993 Keller D11/218
- D453,125 S * 1/2002 Citton D11/216
- D508,872 S * 8/2005 Hoepfner D11/216
- D519,407 S * 4/2006 Yoshiguchi D11/216

D567,709 S * 4/2008 Cho D11/216

* cited by examiner

Primary Examiner—Holly H Baynham

Assistant Examiner—Sheryl Lane

(74) *Attorney, Agent, or Firm*—Nixon & Vanderhye P.C.

(57) **CLAIM**

The ornamental design for a buckle, as shown and described.

DESCRIPTION

FIG. 1 is a front, top and right perspective view of a buckle showing our new design;

FIG. 2 is a rear, bottom and left perspective view thereof;

FIG. 3 is a top plan view thereof;

FIG. 4 is a bottom plan view thereof;

FIG. 5 is a front view thereof;

FIG. 6 is a rear view thereof;

FIG. 7 is a right side view thereof, a left side view being a mirror image thereof;

FIG. 8 is a reference front, top and right perspective view of the buckle in a state that a clamper is opened;

FIG. 9 is a reference rear, bottom and left perspective view of the buckle in that state;

FIG. 10 is a reduced scale environmental front, top and right perspective view of the buckle in a state that the buckle is attached to a strap; and,

FIG. 11 is a reduced scale environmental rear, bottom and left perspective view of the buckle in that state.

The broken line showing of the strap is included for the purpose of illustrating environment and forms no part of the claimed design.

1 Claim, 3 Drawing Sheets

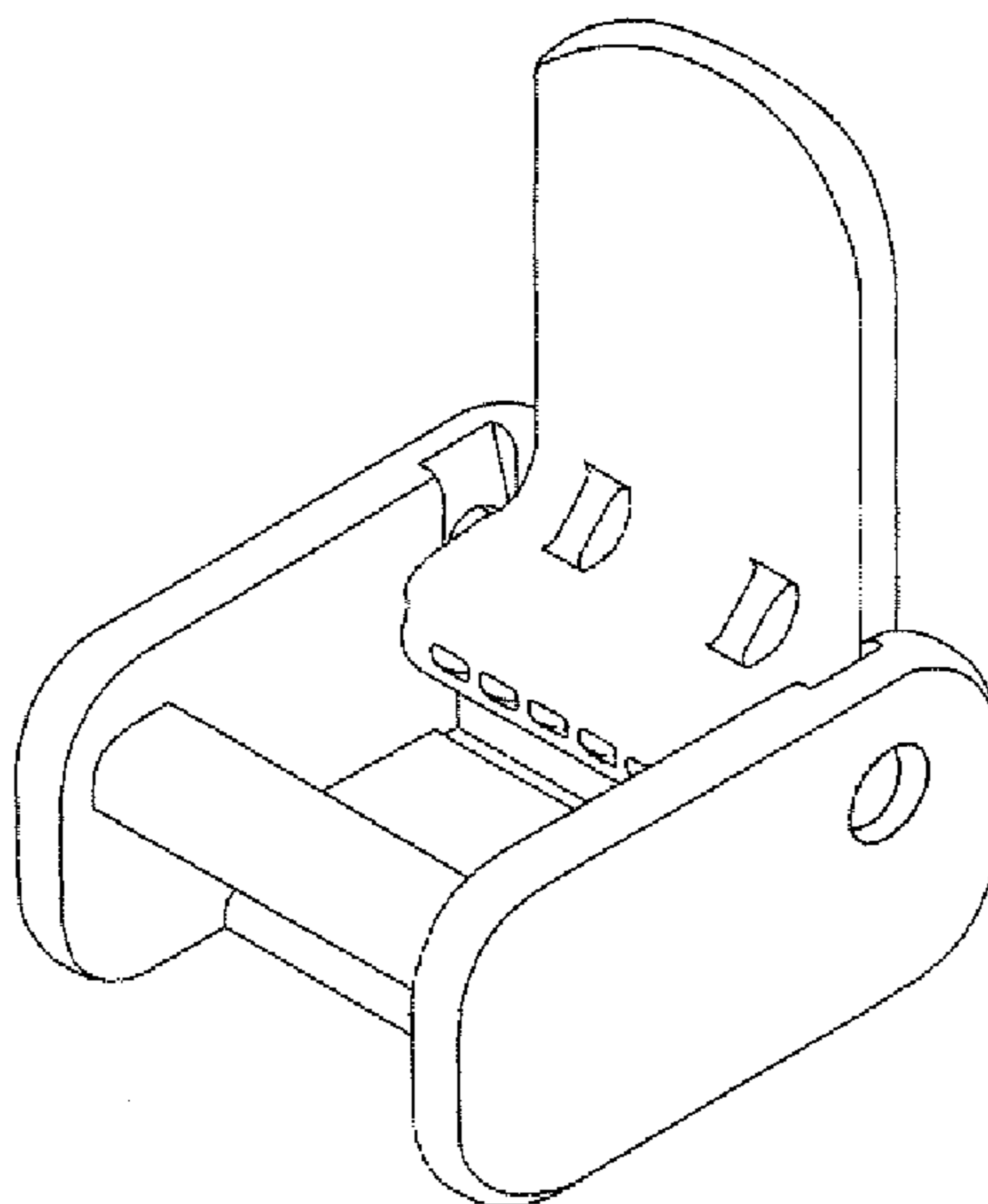


FIG. 1

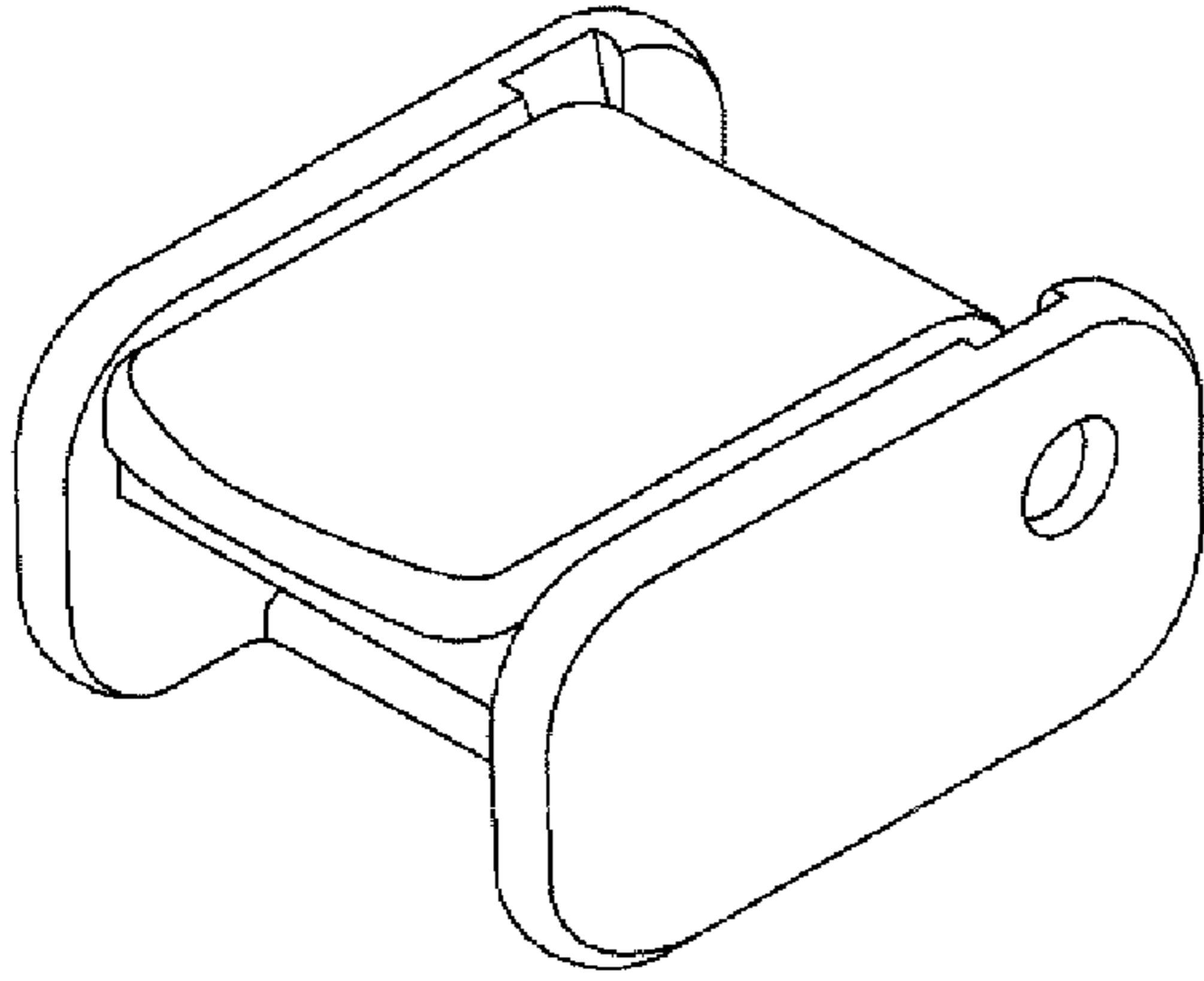


FIG. 2

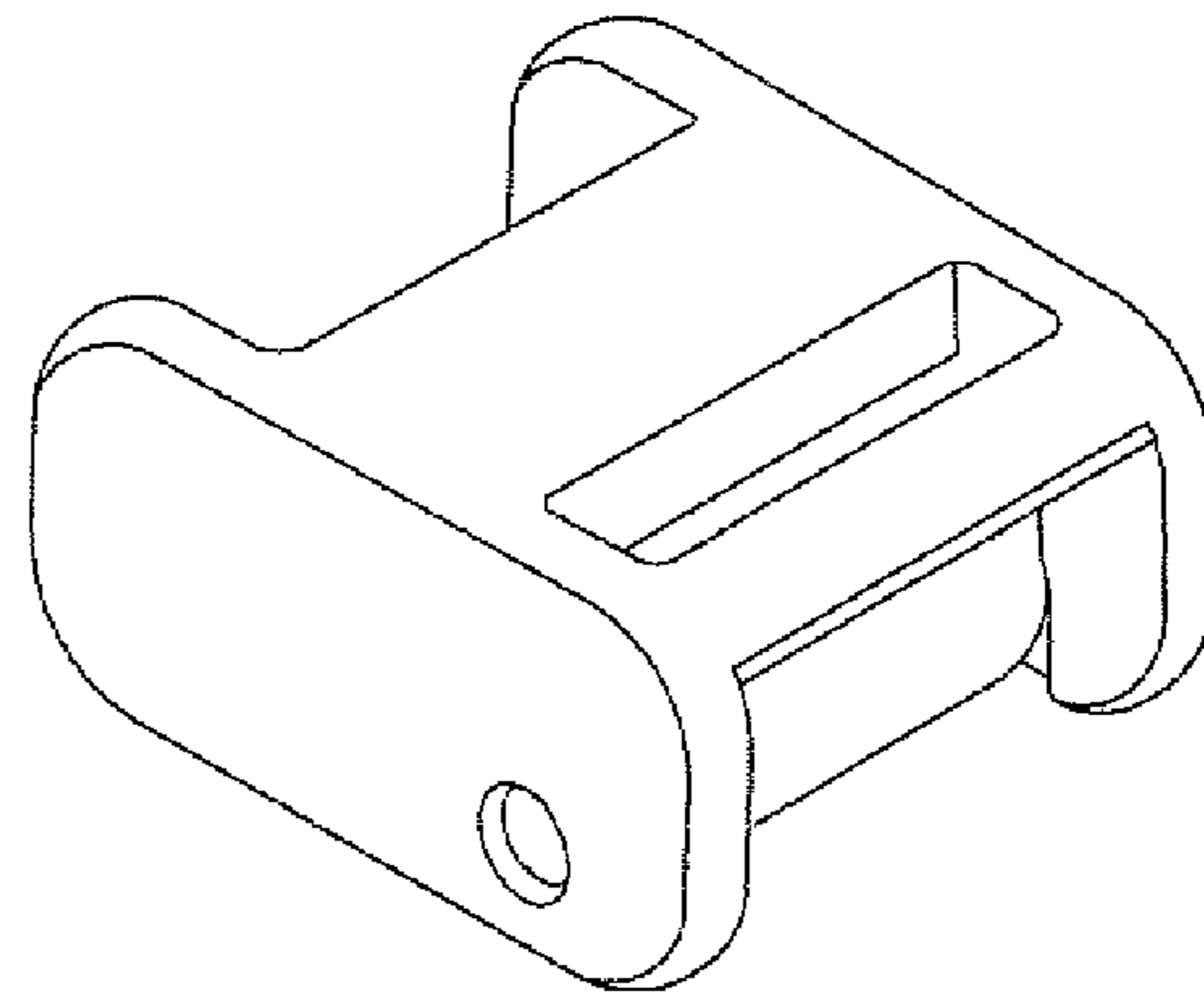


FIG. 3

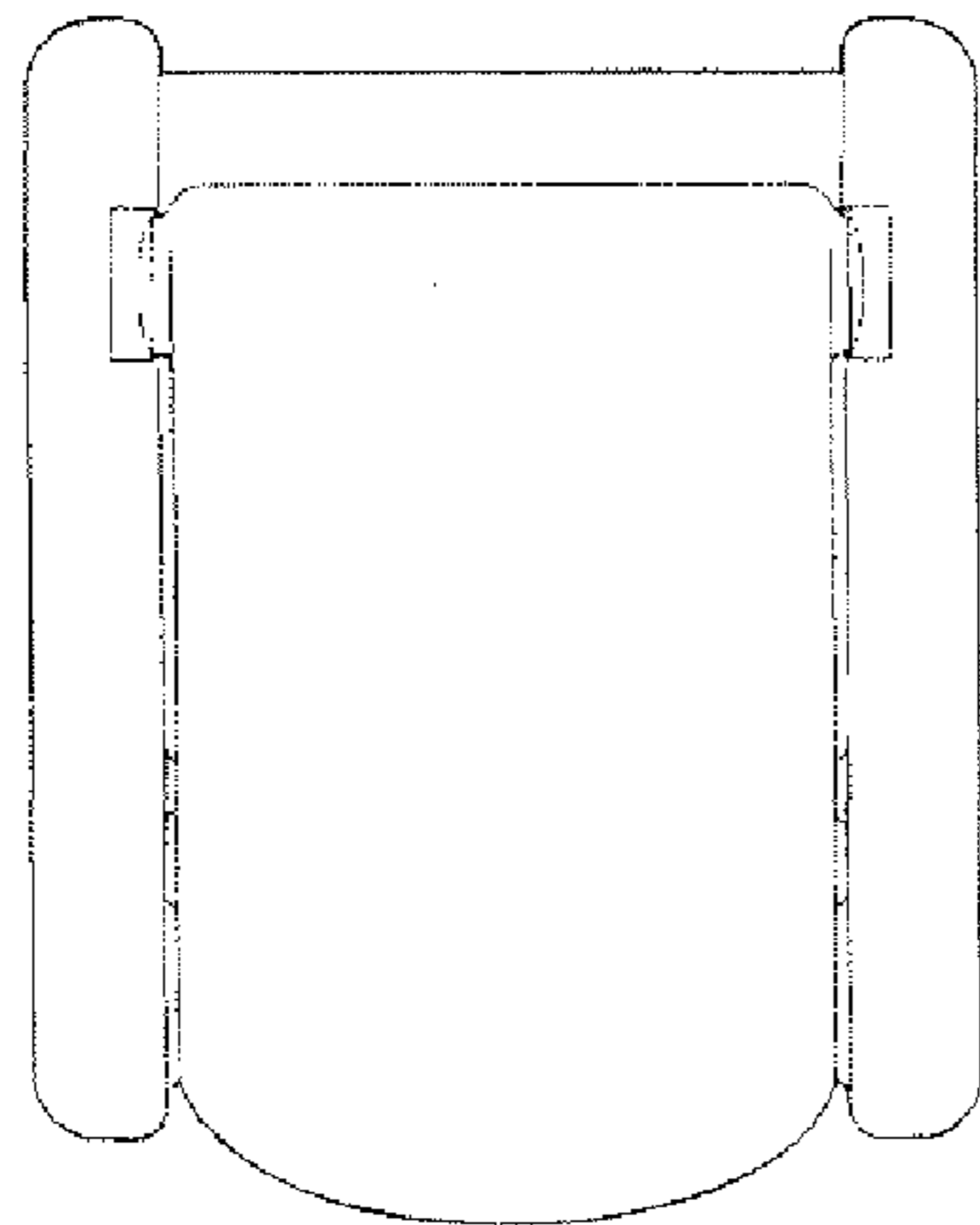


FIG. 4

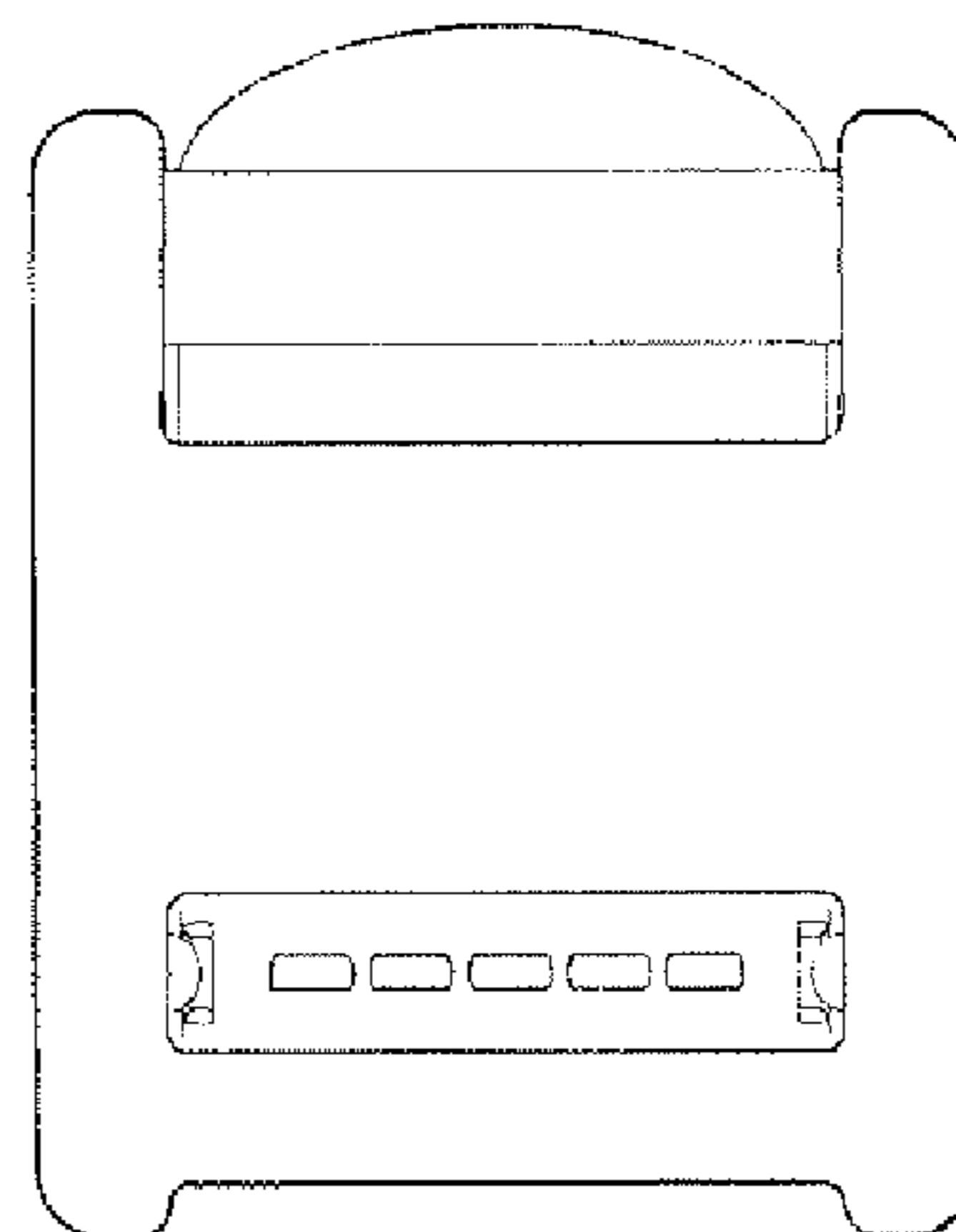


FIG. 5

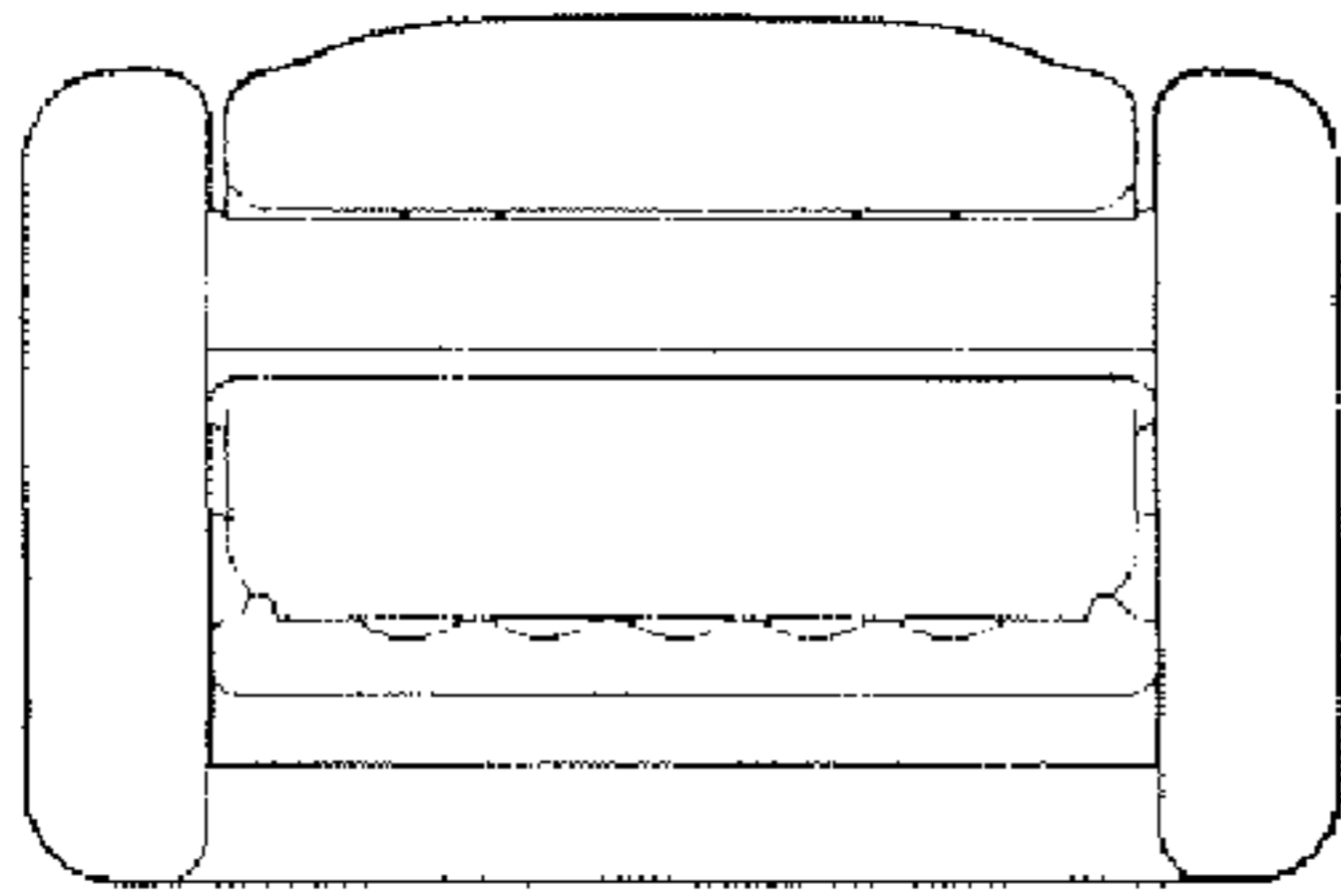


FIG. 6

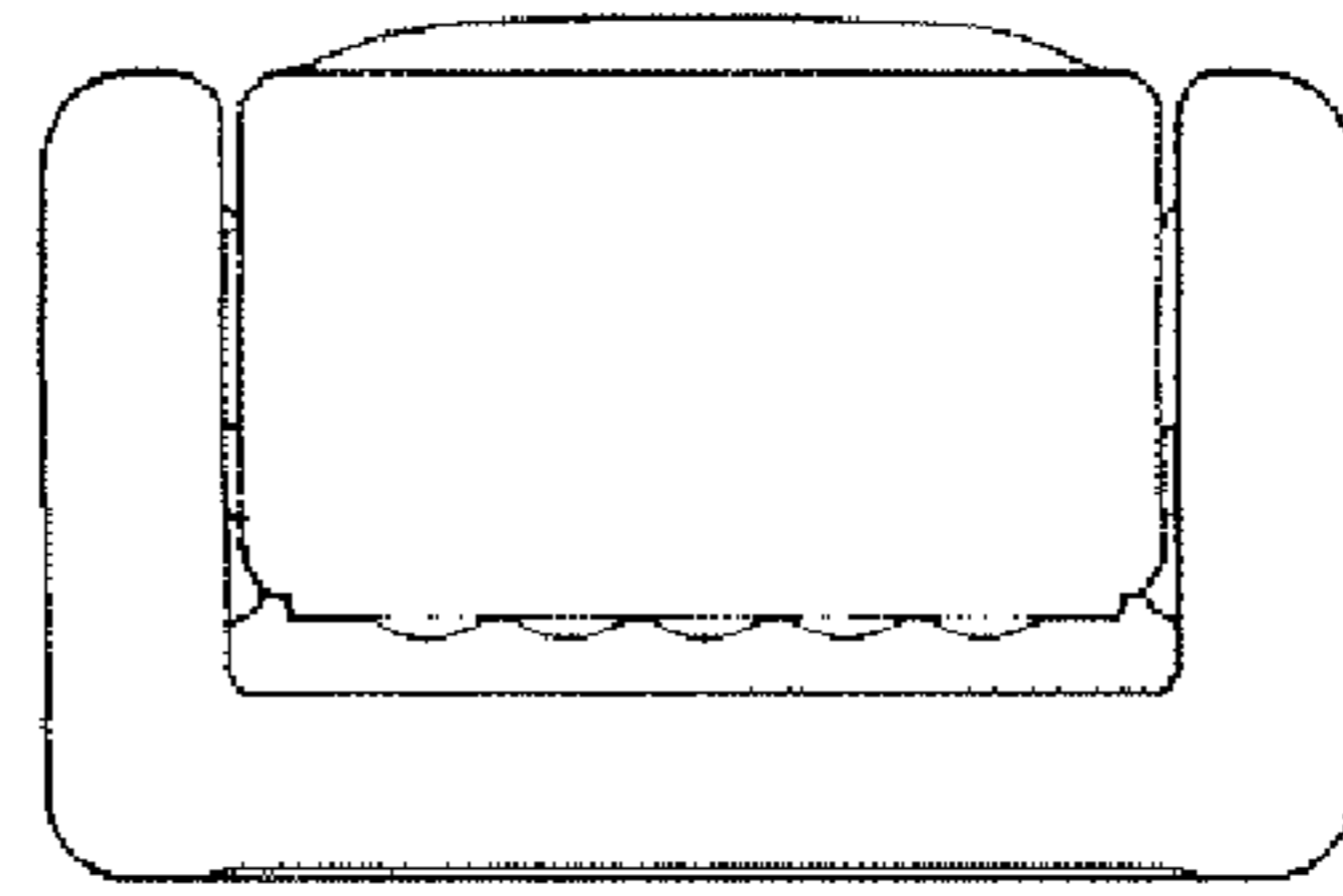


FIG. 7

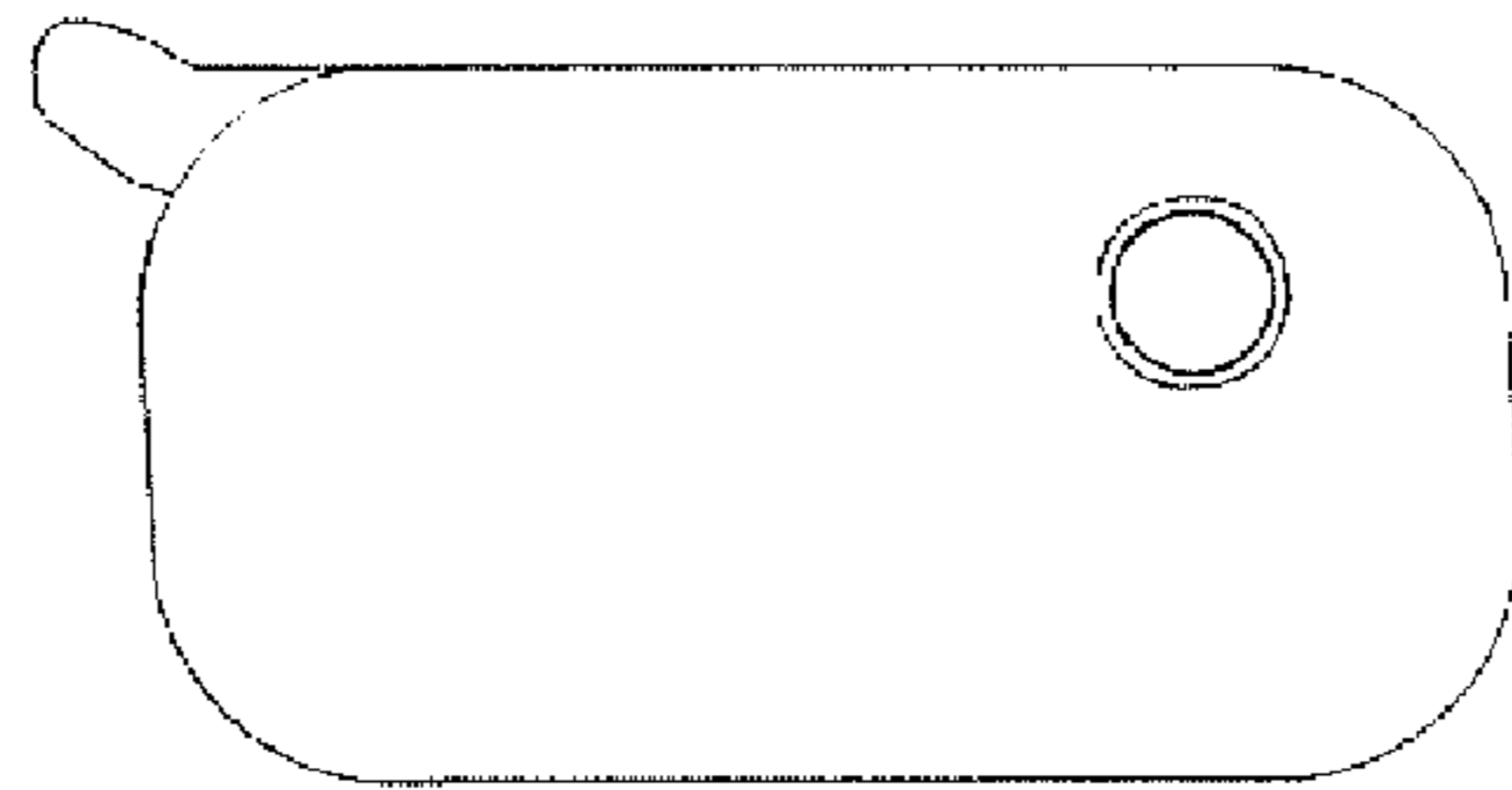


FIG. 8

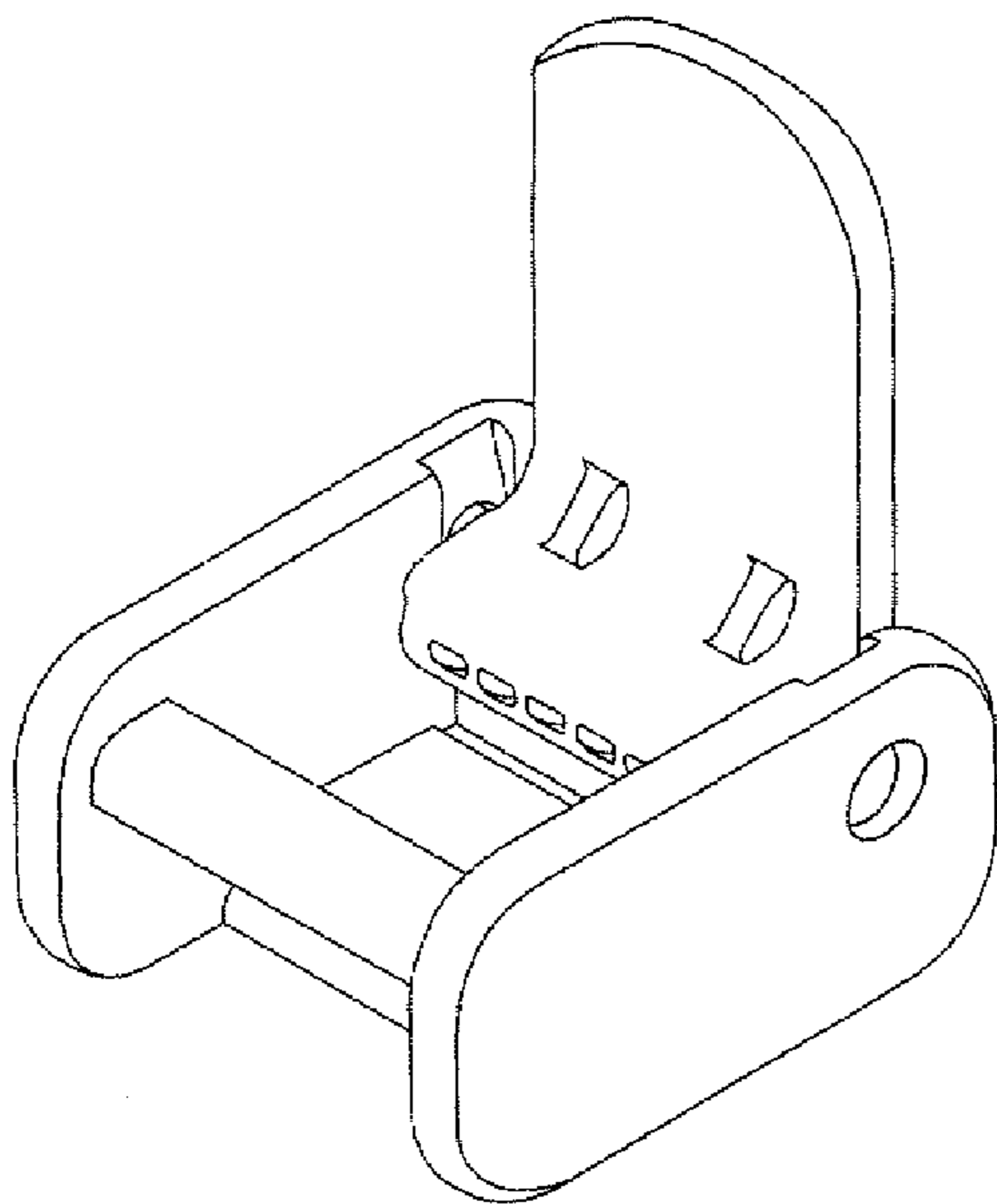


FIG. 9

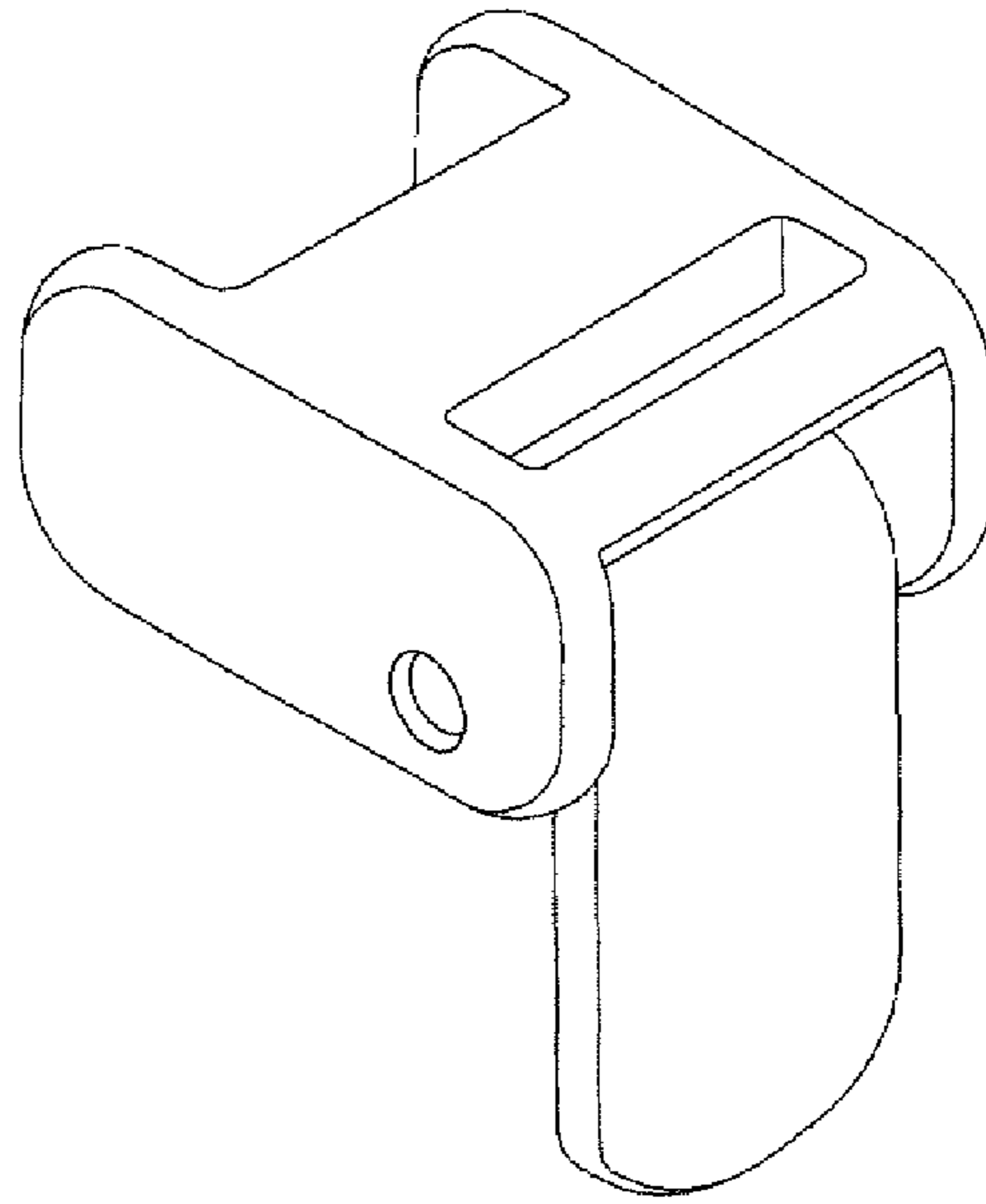


FIG. 10

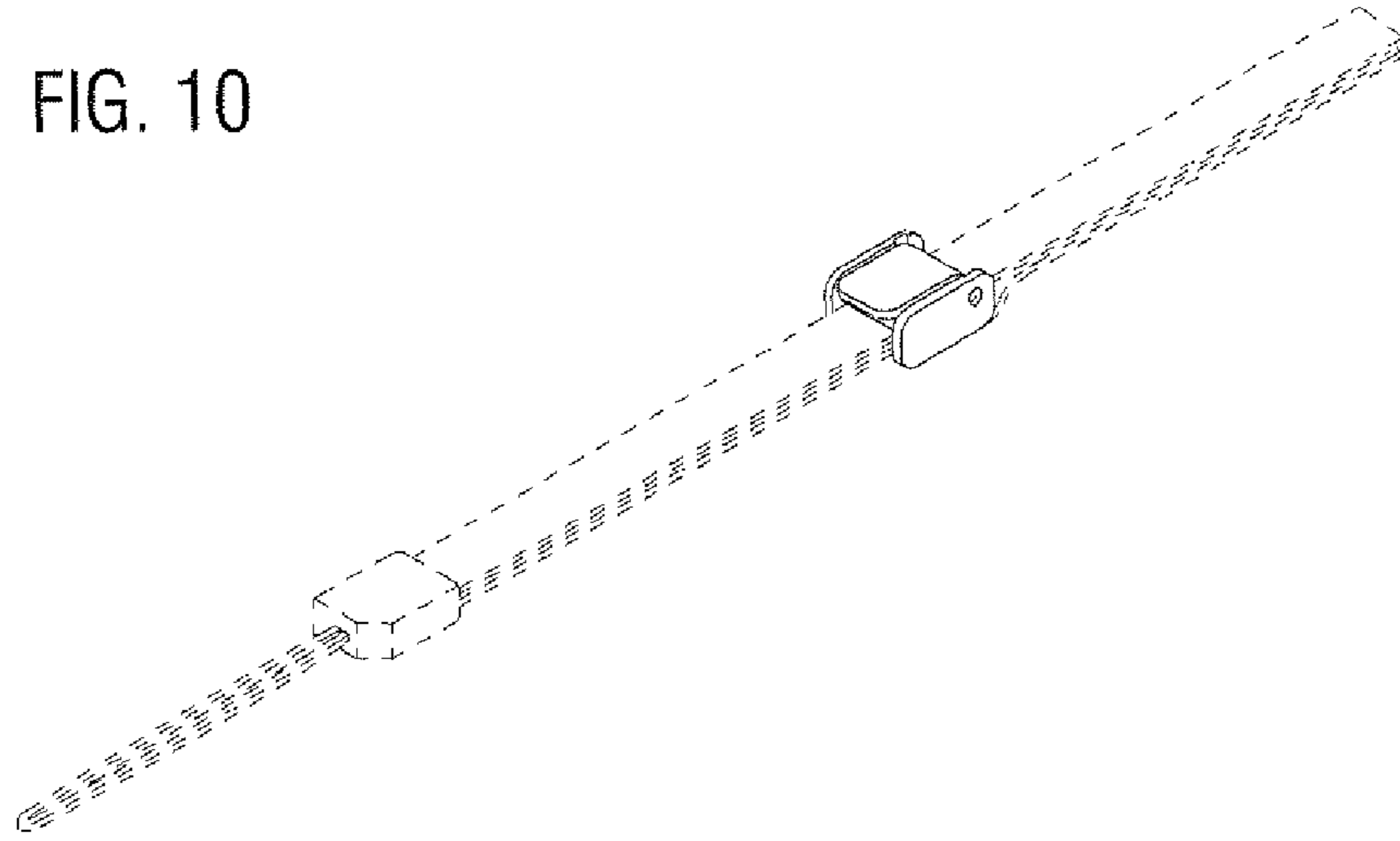


FIG. 11

