



US00D585320S

(12) **United States Design Patent**
Nussbaumer

(10) **Patent No.:** **US D585,320 S**
(45) **Date of Patent:** **** Jan. 27, 2009**

(54) **WATCH BRACELET**

(75) Inventor: **Nicolas-Barth Nussbaumer**, Neuchatel
(CH)

(73) Assignee: **Tag Heuer SA**, La Chaux-de-Fonds
(CH)

(**) Term: **14 Years**

(21) Appl. No.: **29/284,901**

(22) Filed: **Sep. 18, 2007**

(30) **Foreign Application Priority Data**

Apr. 10, 2007 (WO) DM/068862

(51) **LOC (9) Cl.** **11-01**

(52) **U.S. Cl.** **D11/3**

(58) **Field of Classification Search** D11/1,
D11/2, 3, 11, 12, 13, 14, 15, 17, 20, 30, 44,
D11/48, 61, 66, 77, 79, 80, 81, 94, 95, 96,
D11/99, 116, 200, 210, 212, 213, 214, 218,
D11/226, 231; 63/3, 3.1, 3.2, 4, 5.1, 7, 10,
63/11, 15, 15.7, 18, 21, 36, 37, 38; 59/1,
59/2, 3, 78, 79.2; 24/163 R, 2.5, 265 BC,
24/265 WS, 32, 578.15, 579.11, 682.1, 687,
24/68 J, 691, 695, 70 J, 71 J; 289/1.2, 1.5,
289/3, 4; D28/10, 32, 39; D30/152, 153,
D30/155; 224/175; D10/30, 32, 38

See application file for complete search history.

(56) **References Cited**

U.S. PATENT DOCUMENTS

3,711,906 A * 1/1973 Leon D11/94

D324,193 S * 2/1992 Wen-Long D11/220
D334,899 S * 4/1993 Kaneko D11/3
D350,289 S * 9/1994 Frazier D10/32
D382,828 S * 8/1997 Houlihan D11/3
D410,406 S * 6/1999 Iwamoto et al. D11/3
D426,486 S * 6/2000 Kubo et al. D11/1
D446,467 S * 8/2001 Lepeu et al. D11/3
D515,945 S * 2/2006 Goto et al. D10/32
D550,101 S * 9/2007 Umabayashi et al. D10/32

* cited by examiner

Primary Examiner—Cathron C Brooks

Assistant Examiner—Michael A Pratt

(74) *Attorney, Agent, or Firm*—Gottlieb, Rackman &
Reisman PC

(57) **CLAIM**

The ornamental watch bracelet, as shown and described.

DESCRIPTION

FIG. 1 is a top plan view thereof;

FIG. 2 is a bottom plan view thereof;

FIG. 3 is a left-side elevational view thereof;

FIG. 4 is a right-side elevational view thereof;

FIG. 5 is a rear elevational view thereof;

FIG. 6 is a front elevational view thereof; and,

FIG. 7 is a perspective view thereof.

1 Claim, 2 Drawing Sheets

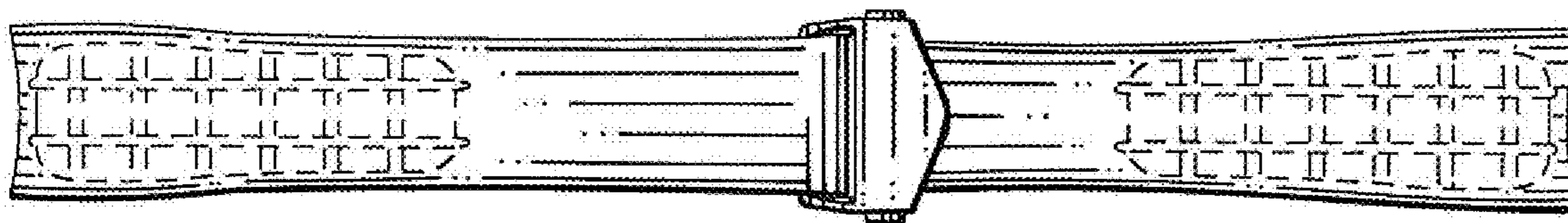


FIG. 1

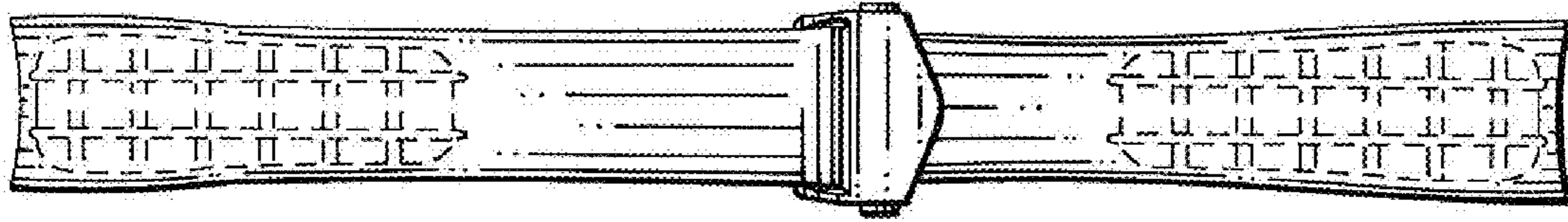


FIG. 2

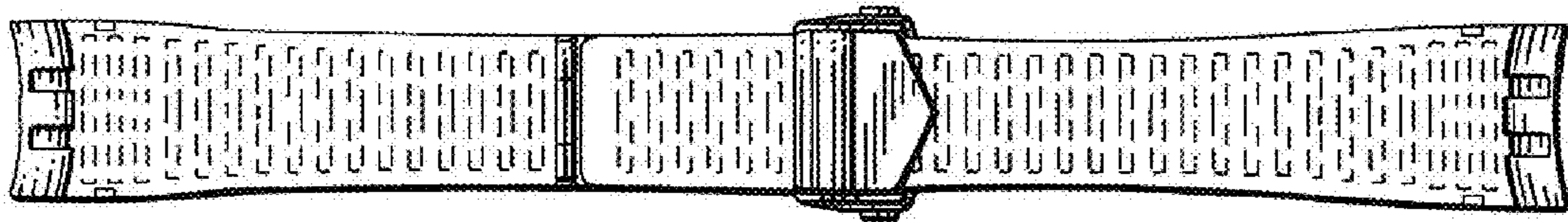


FIG. 3



FIG. 4

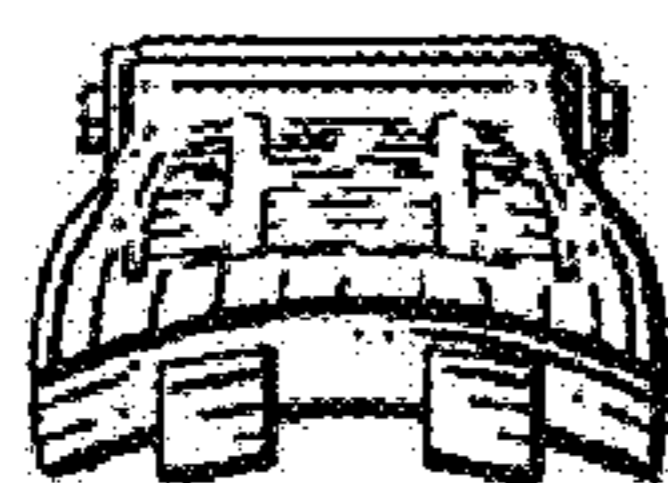


FIG. 5

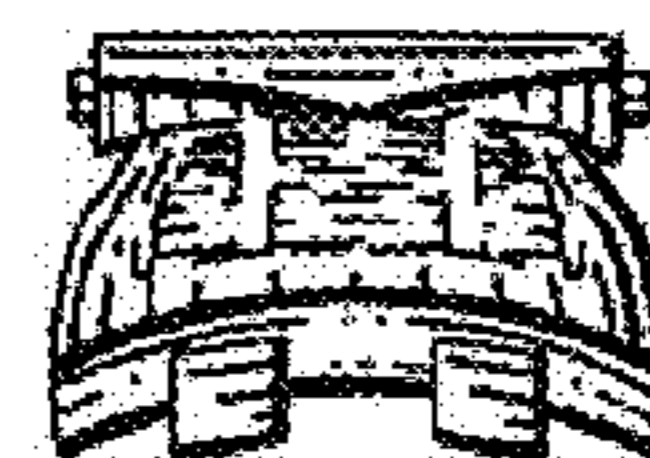


FIG. 6

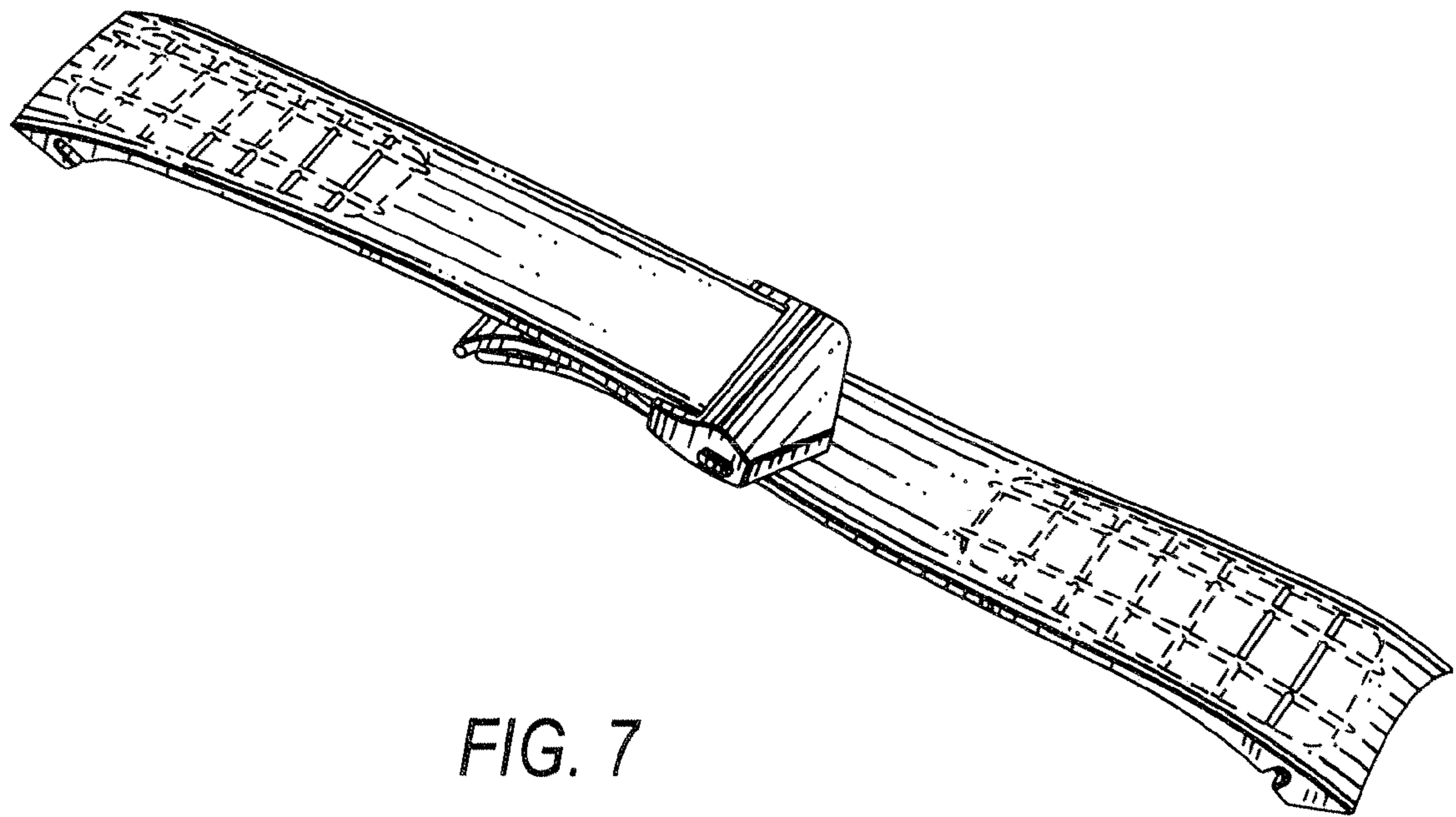


FIG. 7