



US00D585318S

(12) **United States Design Patent**  
**Jalala**

(10) **Patent No.:** **US D585,318 S**

(45) **Date of Patent:** **\*\* Jan. 27, 2009**

(54) **VEHICLE LIGHT BAR**

D545,230 S \* 6/2007 Jalala ..... D10/114  
D578,425 S \* 10/2008 Shin ..... D10/114

(76) **Inventor:** **Hayat Jalala**, 17741 Roscoe Blvd.,  
Northridge, CA (US) 91325

\* cited by examiner

(\*\*) **Term:** **14 Years**

*Primary Examiner*—Marcus A. Jackson  
(74) *Attorney, Agent, or Firm*—Kelly Lowry & Kelley, LLP

(21) **Appl. No.:** **29/324,256**

(57) **CLAIM**

(22) **Filed:** **Sep. 9, 2008**

The ornamental design for a vehicle light bar, as shown and described.

(51) **LOC (9) Cl.** ..... **10-05**

(52) **U.S. Cl.** ..... **D10/114**

(58) **Field of Classification Search** ..... D26/28-36;  
D10/114; 362/293, 362, 800; 340/815.45,  
340/907

**DESCRIPTION**

See application file for complete search history.

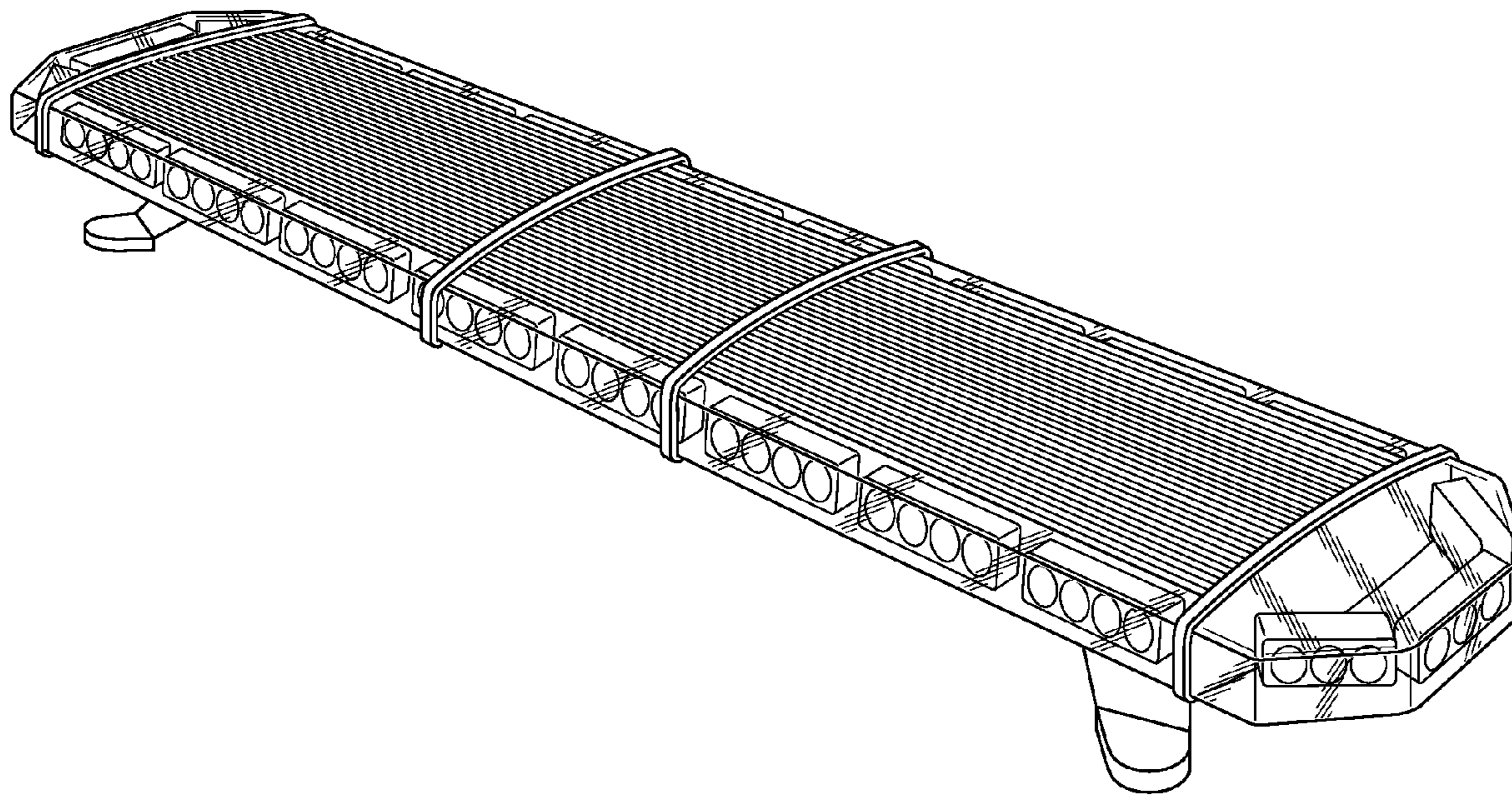
FIG. 1 is a front perspective view of the vehicle light bar;  
FIG. 2 is an elevational view of each end of the vehicle light bar;  
FIG. 3 is an elevational view of each side of the vehicle light bar;  
FIG. 4 is a top plan view of the vehicle light bar; and,  
FIG. 5 is a bottom plan view of the vehicle light bar.

(56) **References Cited**

**U.S. PATENT DOCUMENTS**

D345,315 S \* 3/1994 Green et al. .... D10/114  
D355,142 S \* 2/1995 Wagner ..... D10/114  
D363,675 S \* 10/1995 Sasaki et al. .... D10/114  
D410,402 S \* 6/1999 Stein et al. .... D10/114

**1 Claim, 2 Drawing Sheets**



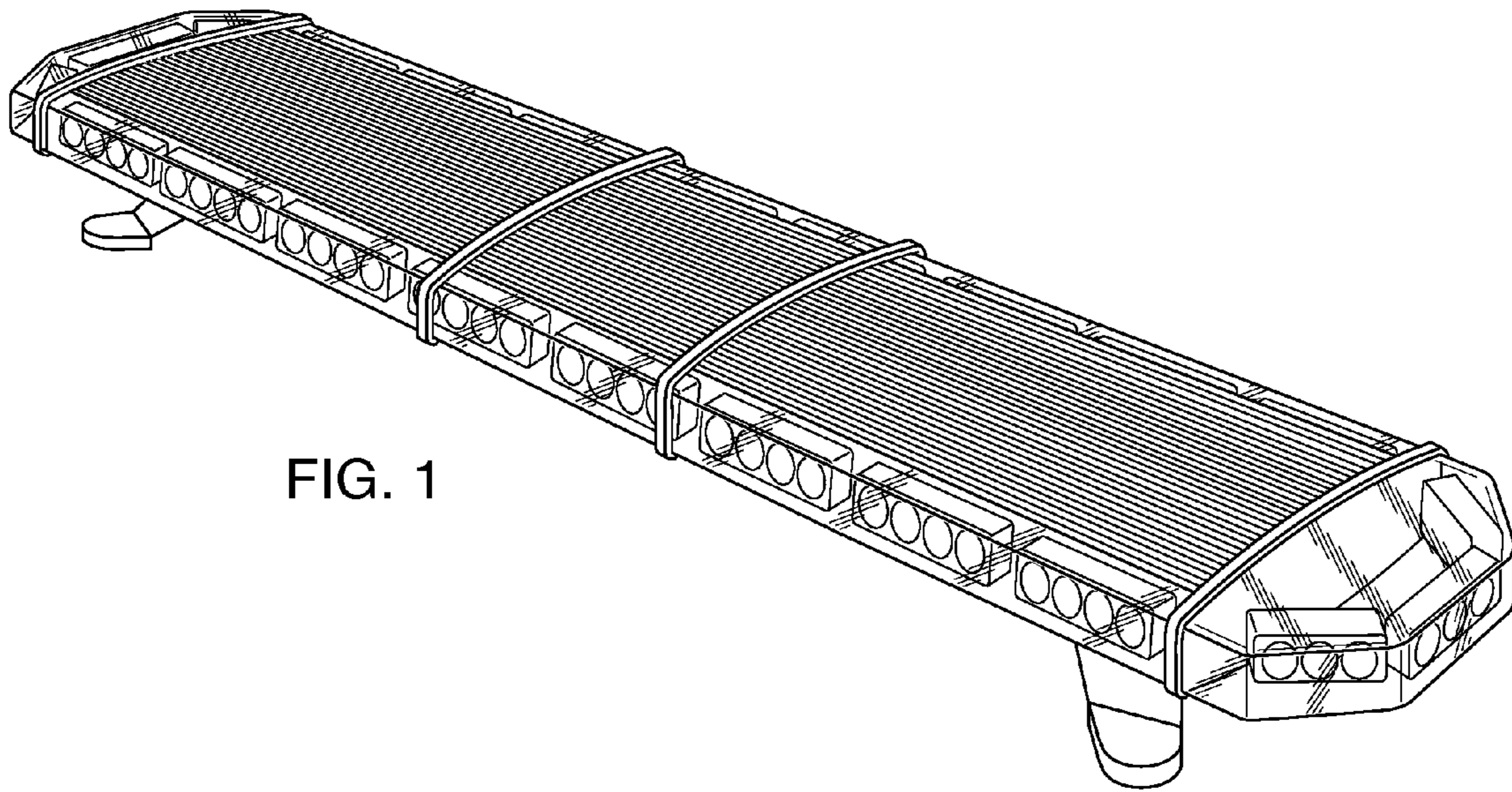


FIG. 1

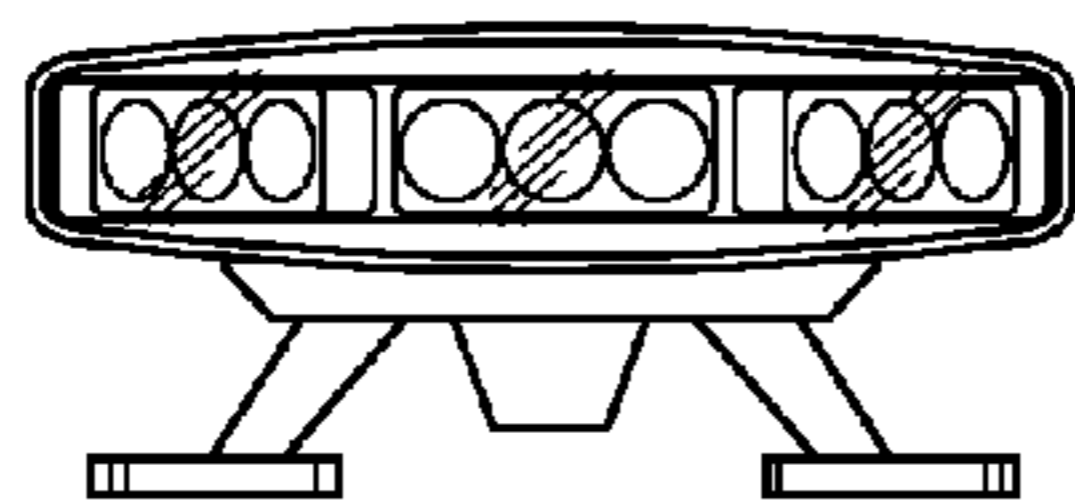


FIG. 2

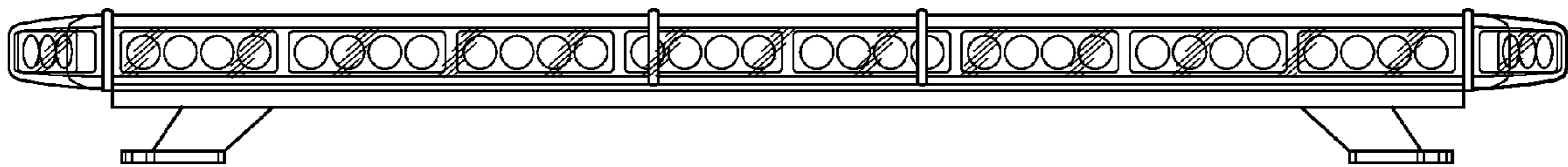


FIG. 3

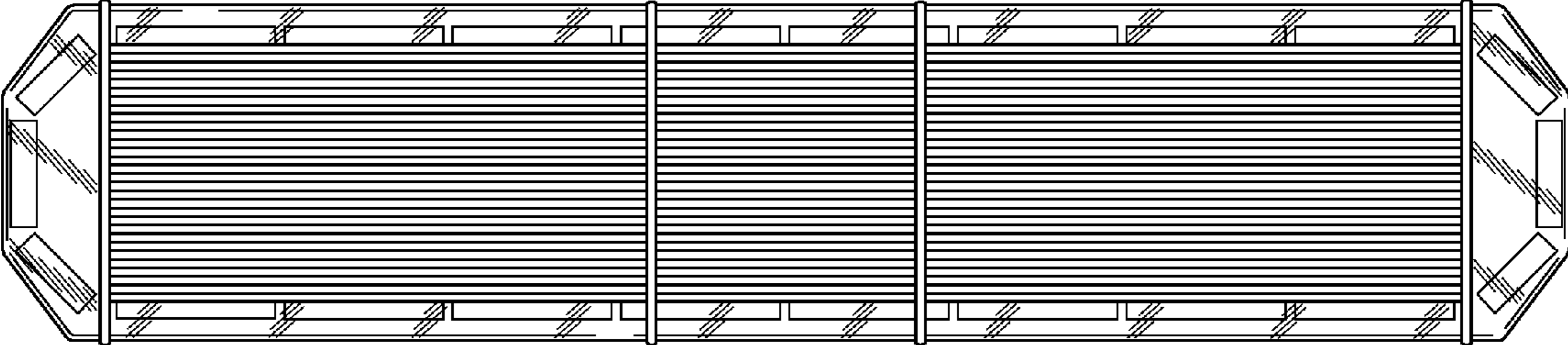


FIG. 4

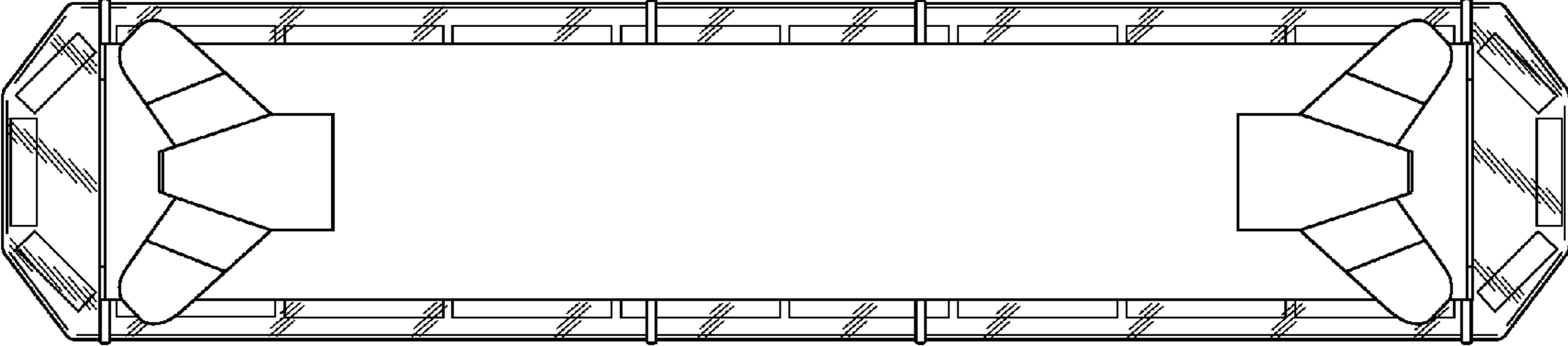


FIG. 5