



US00D585317S

(12) **United States Design Patent**  
**Wagner**

(10) **Patent No.:** **US D585,317 S**

(45) **Date of Patent:** **\*\* Jan. 27, 2009**

(54) **SENSOR**

(75) Inventor: **Mark Wagner**, Williamsville, NY (US)

(73) Assignee: **Sensorcon, Inc.**, Amherst, NY (US)

(\*\*) Term: **14 Years**

(21) Appl. No.: **29/296,472**

(22) Filed: **Oct. 22, 2007**

(51) **LOC (9) Cl.** ..... **10-04**

(52) **U.S. Cl.** ..... **D10/81**

(58) **Field of Classification Search** ..... D10/46,  
D10/81; D24/186, 187, 216, 224, 232; 204/153.12,  
204/153.17, 400, 409, 412, 415, 418, 425,  
204/403.03, 406, 431, 432; 205/777.5, 790.5;  
206/305, 306; 435/817; 427/58  
See application file for complete search history.

(56) **References Cited**

**U.S. PATENT DOCUMENTS**

4,525,266	A *	6/1985	Schmidt et al.	.....	204/412
D502,655	S *	3/2005	Huang	.....	D10/81
D503,641	S *	4/2005	Huang	.....	D10/81
2005/0092605	A1 *	5/2005	Gau	.....	204/406
2005/0147738	A1 *	7/2005	Dalmia et al.	.....	427/58
2007/0074976	A1 *	4/2007	Moshier et al.	.....	205/790.5

2007/0187241 A1\* 8/2007 Herbert ..... 204/431

**FOREIGN PATENT DOCUMENTS**

WO WO 2008/057744 5/2008

\* cited by examiner

*Primary Examiner*—Antoine D Davis

(74) *Attorney, Agent, or Firm*—Fish & Richardson P.C.

(57) **CLAIM**

The ornamental design for a sensor, as shown and described.

**DESCRIPTION**

FIG. 1 is a perspective view of one embodiment of a sensor showing my new design;

FIG. 2 is a front elevational view of the sensor of FIG. 1;

FIG. 3 is a rear elevational view of the sensor of FIG. 1;

FIG. 4 is a left side elevational view of the sensor of FIG. 1;

FIG. 5 is a right side elevational view of the sensor of FIG. 1;

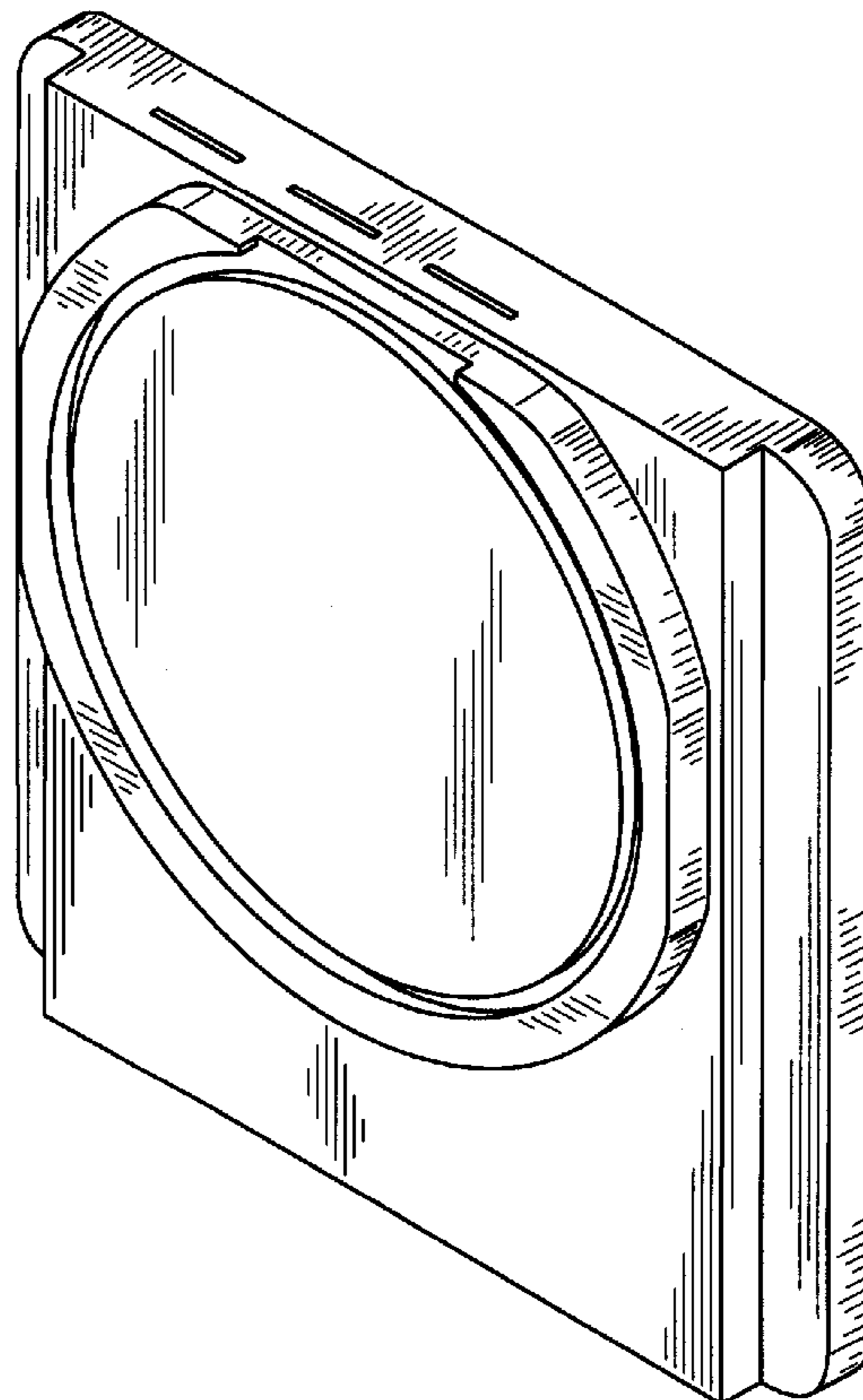
FIG. 6 is a top plan view of the sensor of FIG. 1;

FIG. 7 is a bottom plan view of the sensor of FIG. 1;

FIG. 8 is a top plan view of an alternative embodiment of a sensor, the other views being the same; and,

FIG. 9 is a rear elevational view of an alternative embodiment of a sensor, the other views being the same.

**1 Claim, 4 Drawing Sheets**



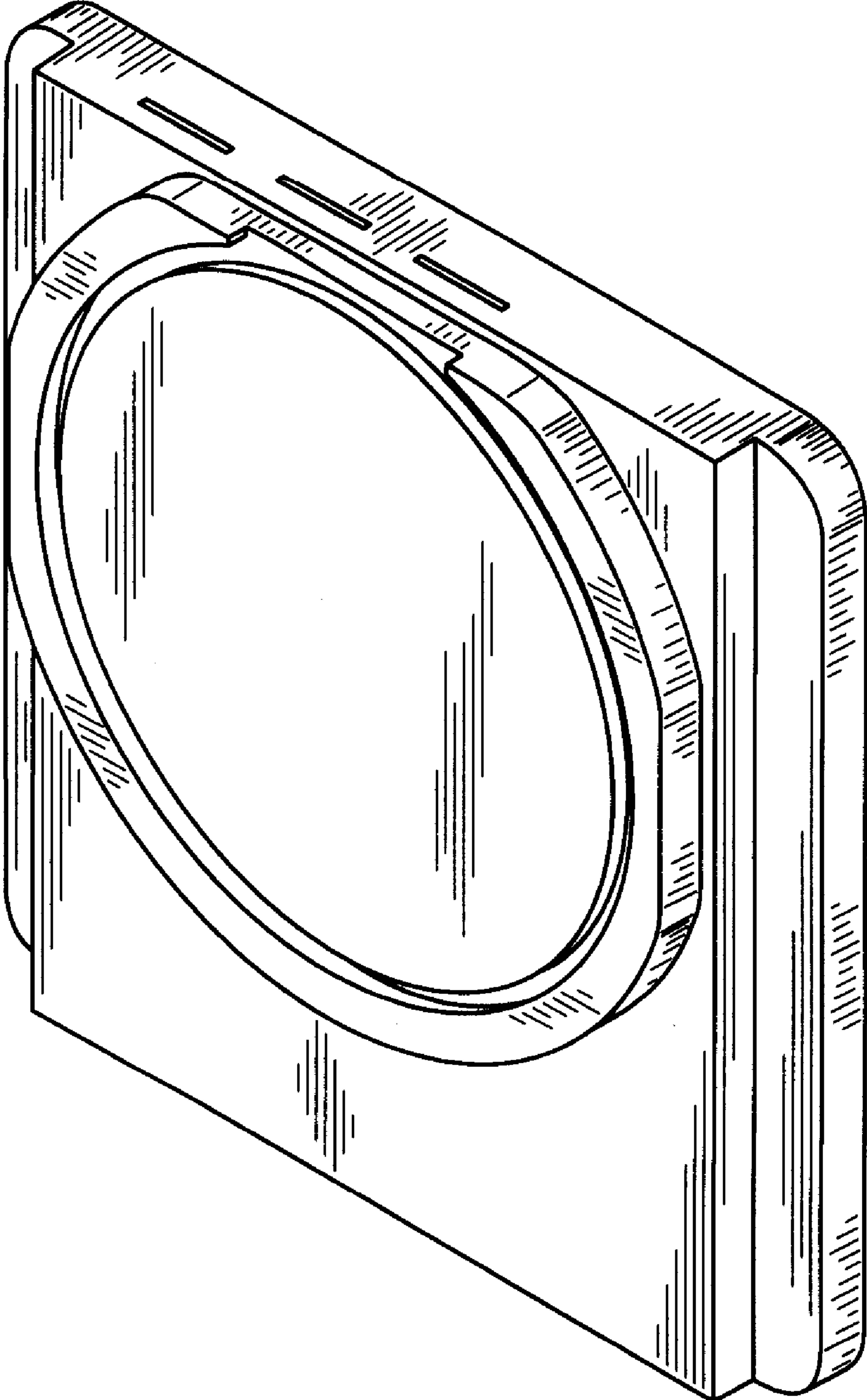


FIG. 1

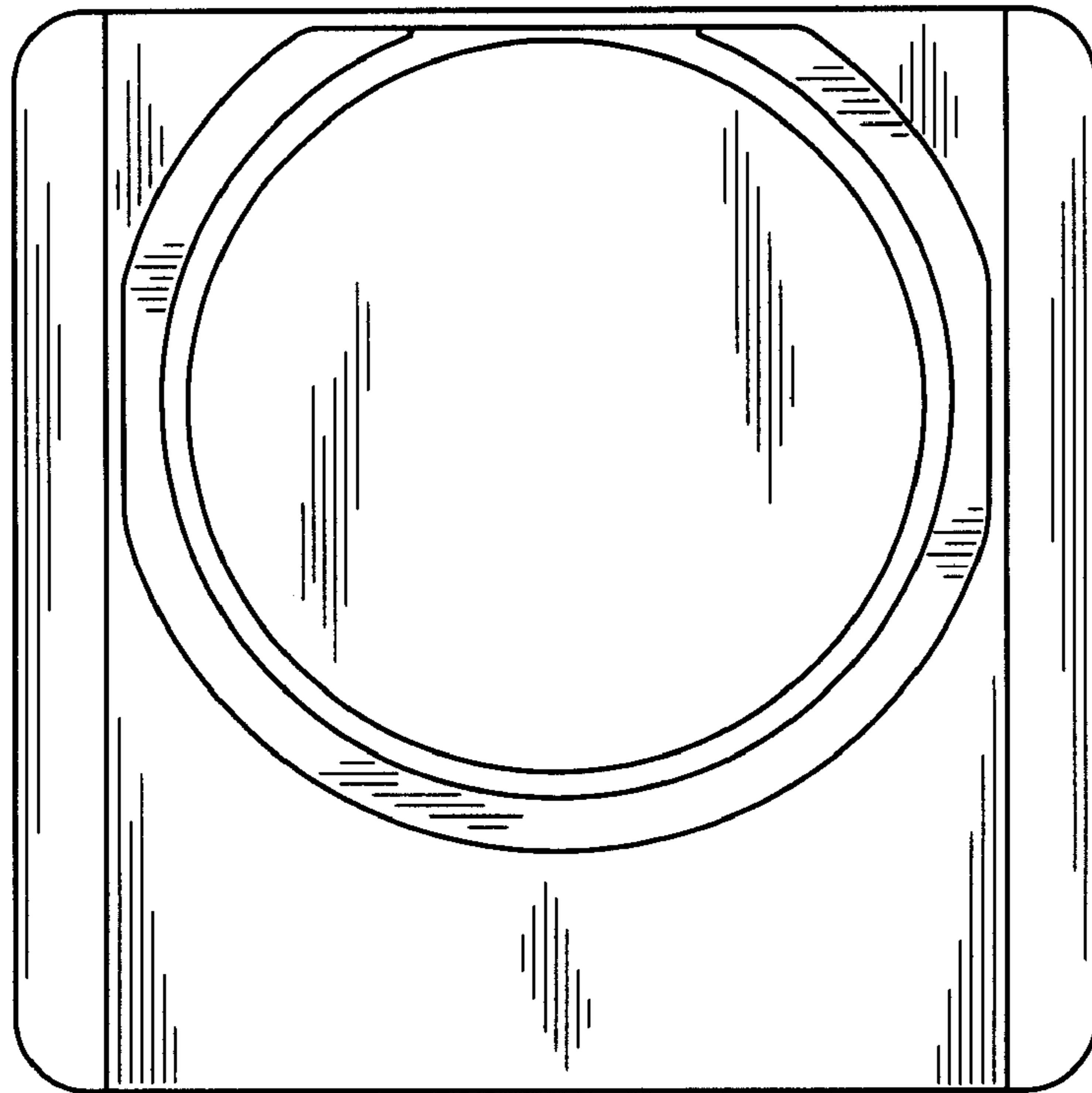


FIG. 2

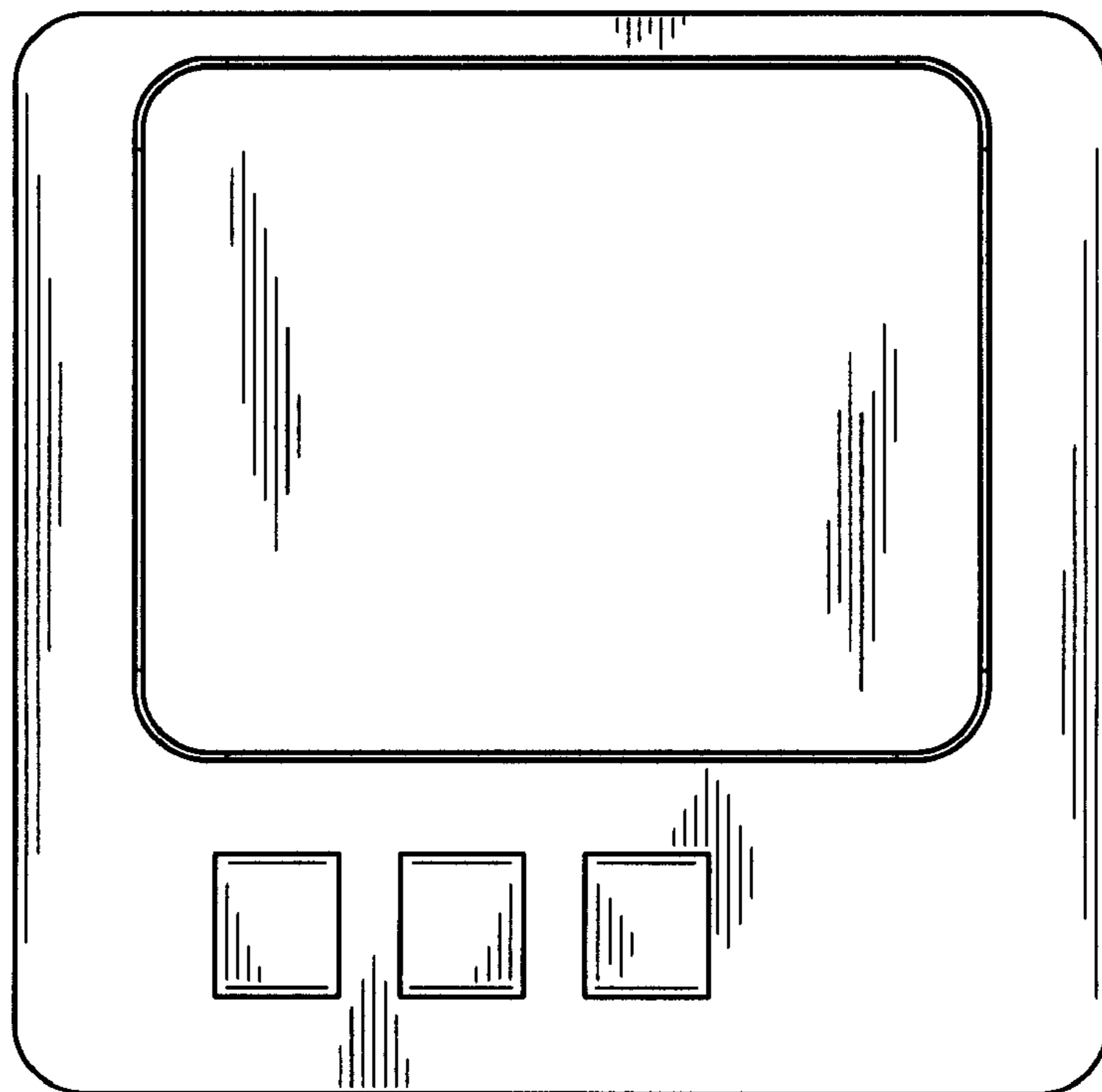
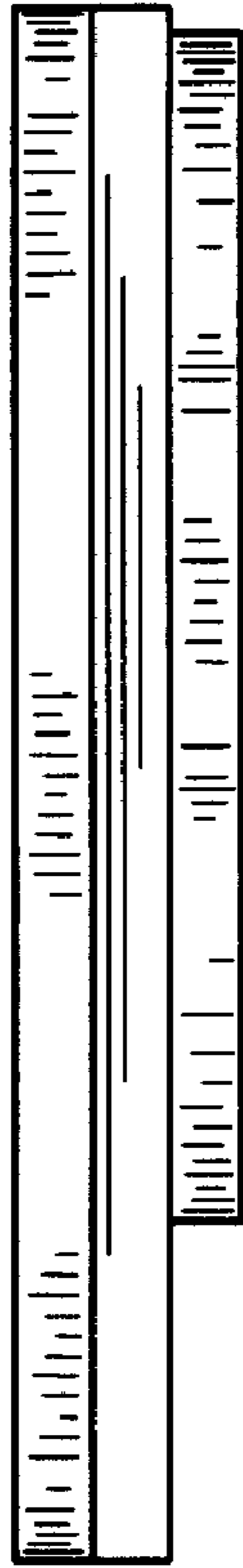
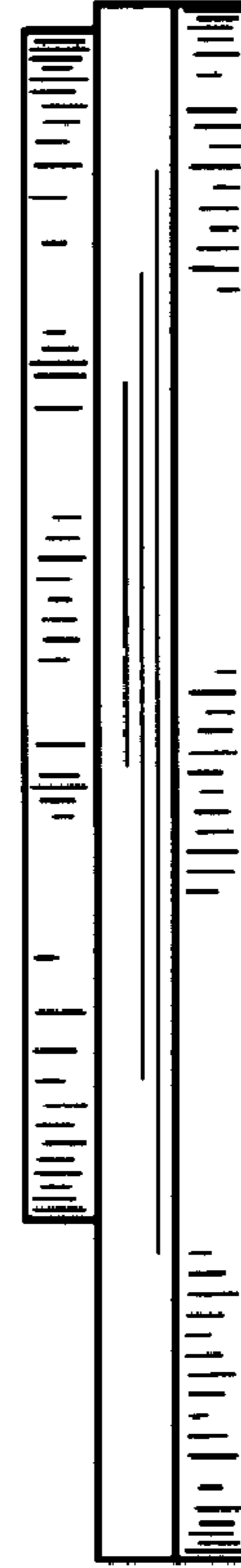


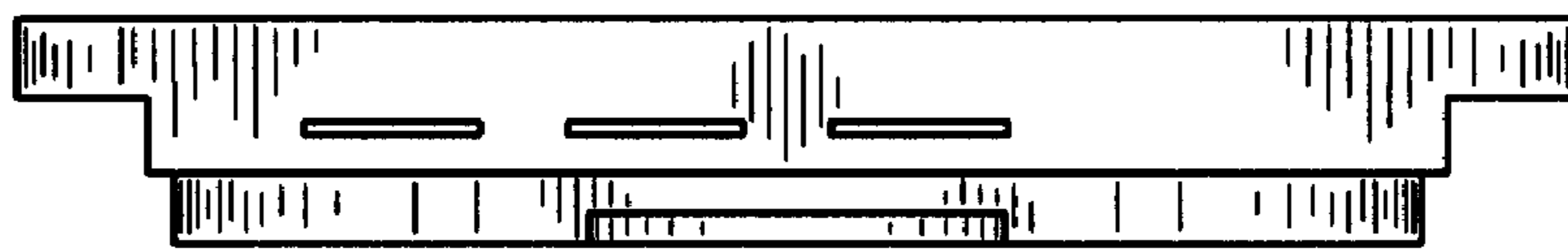
FIG. 3



**FIG. 4**



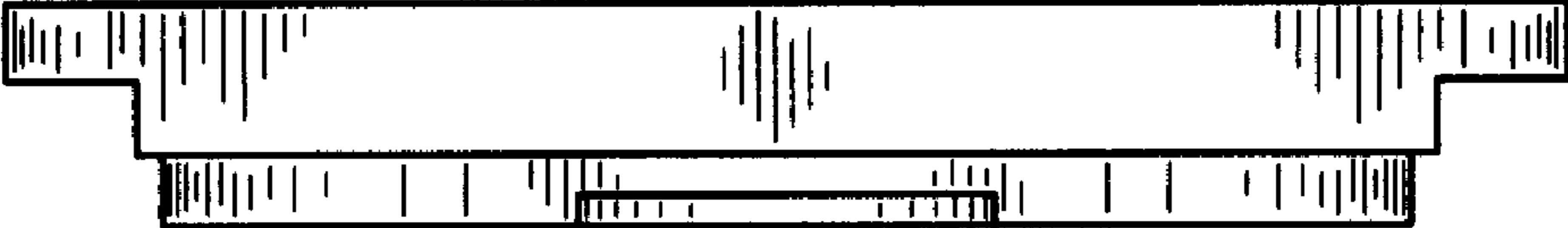
**FIG. 5**



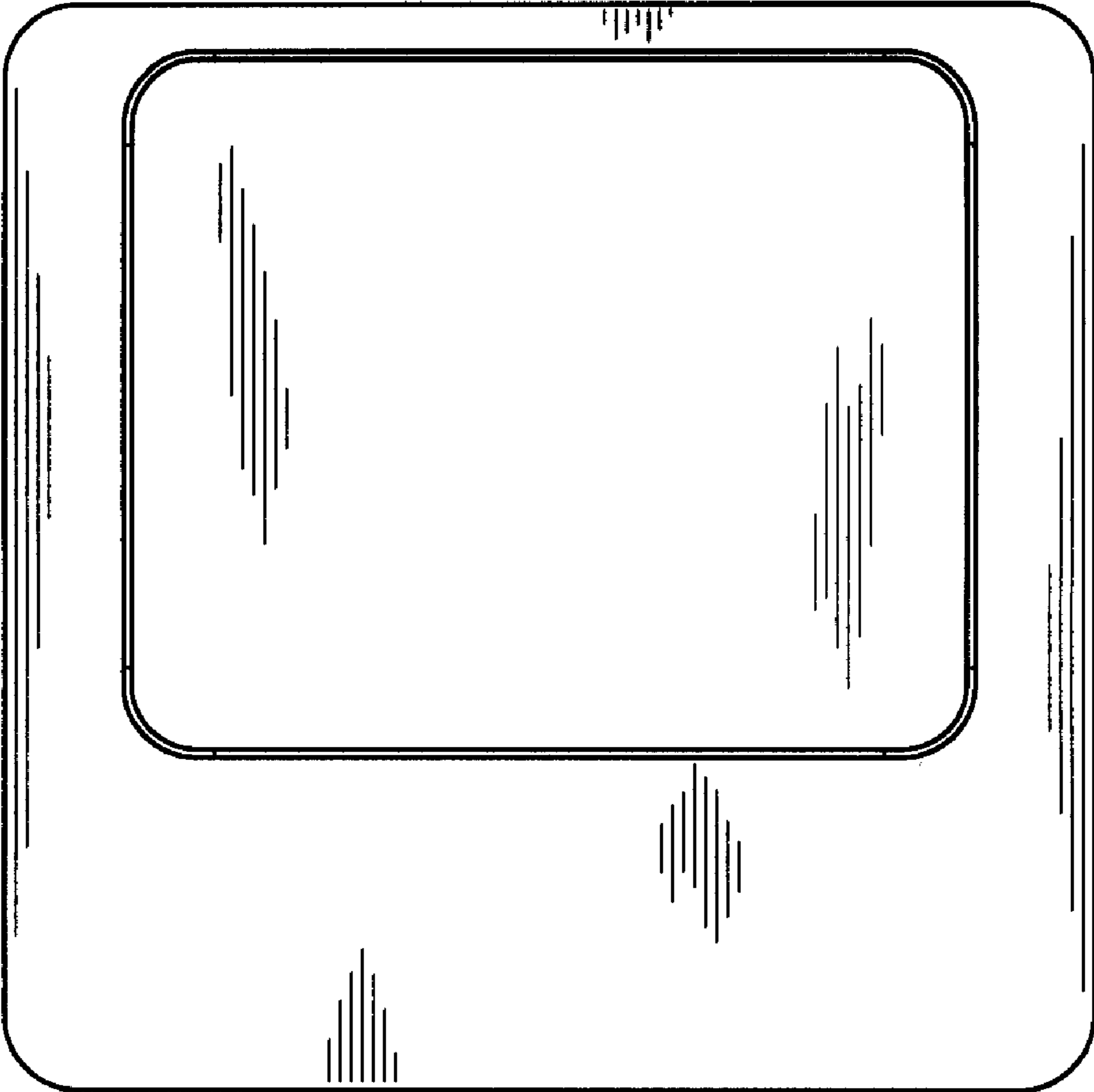
**FIG. 6**



**FIG. 7**



**FIG. 8**



**FIG. 9**

UNITED STATES PATENT AND TRADEMARK OFFICE  
**CERTIFICATE OF CORRECTION**

PATENT NO. : D585,317 S  
APPLICATION NO. : 29/296472  
DATED : January 27, 2009  
INVENTOR(S) : Mark Wagner

Page 1 of 1

It is certified that error appears in the above-identified patent and that said Letters Patent is hereby corrected as shown below:

Title page, below Item (74) insert

--This invention was made with Government support under contract no. W31P4Q-06-C-0216 awarded by Defense Advanced Research Projects Agency (DARPA). The Government has certain rights in the invention.--

Signed and Sealed this  
Twenty-fifth Day of March, 2014



Michelle K. Lee  
*Deputy Director of the United States Patent and Trademark Office*