



US00D585314S

(12) **United States Design Patent**
Schvetz

(10) **Patent No.:** **US D585,314 S**
(45) **Date of Patent:** **** Jan. 27, 2009**

(54) **ANALYTE TEST METER**

(75) Inventor: **Yossef Schvetz**, Milan (IT)

(73) Assignee: **Lifescan Scotland Lintied**, Iverness (GB)

(**) Term: **14 Years**

(21) Appl. No.: **29/265,672**

(22) Filed: **Sep. 5, 2006**

(51) **LOC (9) Cl.** **10-04**

(52) **U.S. Cl.** **D10/78; D10/81**

(58) **Field of Classification Search** D10/78,
D10/81; D24/224, 232; 204/415, 416, 403.02,
204/403.06, 409, 412, 435; 205/785.5, 787.5,
205/782; 345/824, 156, 158; 422/50, 58,
422/61-63, 67, 68.1, 80, 82.03; 455/12.1,
455/86, 406; 600/345, 583; 700/17, 431,
700/499, 866.3

See application file for complete search history.

(56) **References Cited**

U.S. PATENT DOCUMENTS

6,377,894 B1 * 4/2002 Dewese et al. 702/22
D514,006 S * 1/2006 Kaar et al. D10/81
D545,705 S * 7/2007 Voege D10/81
D546,218 S * 7/2007 Grasso et al. D10/81

D551,578 S * 9/2007 Kuriger et al. D10/81
D560,129 S * 1/2008 Rich et al. D10/78
7,323,141 B2 * 1/2008 Kirchhevel et al. 422/68.1
7,374,545 B2 * 5/2008 Alroy 600/583
7,390,665 B2 * 6/2008 Gilmour et al. 422/50

* cited by examiner

Primary Examiner—Antoine D Davis

(57) **CLAIM**

We claim the ornamental design for an analyte test meter, as shown and described.

DESCRIPTION

FIG. 1 is a top perspective view of the analyte test meter, as seen from the top, front and side;

FIG. 2 is a top plan view thereof;

FIG. 3 is a first side elevational view thereof;

FIG. 4 is a bottom plan view thereof;

FIG. 5 is a second side elevational view thereof;

FIG. 6 is a rear elevational view thereof; and,

FIG. 7 is a front elevational view thereof.

The broken line showing of indicia and structural features is included for the purpose of illustrating non-claimed subject matter and forms no part of the claimed design.

1 Claim, 3 Drawing Sheets



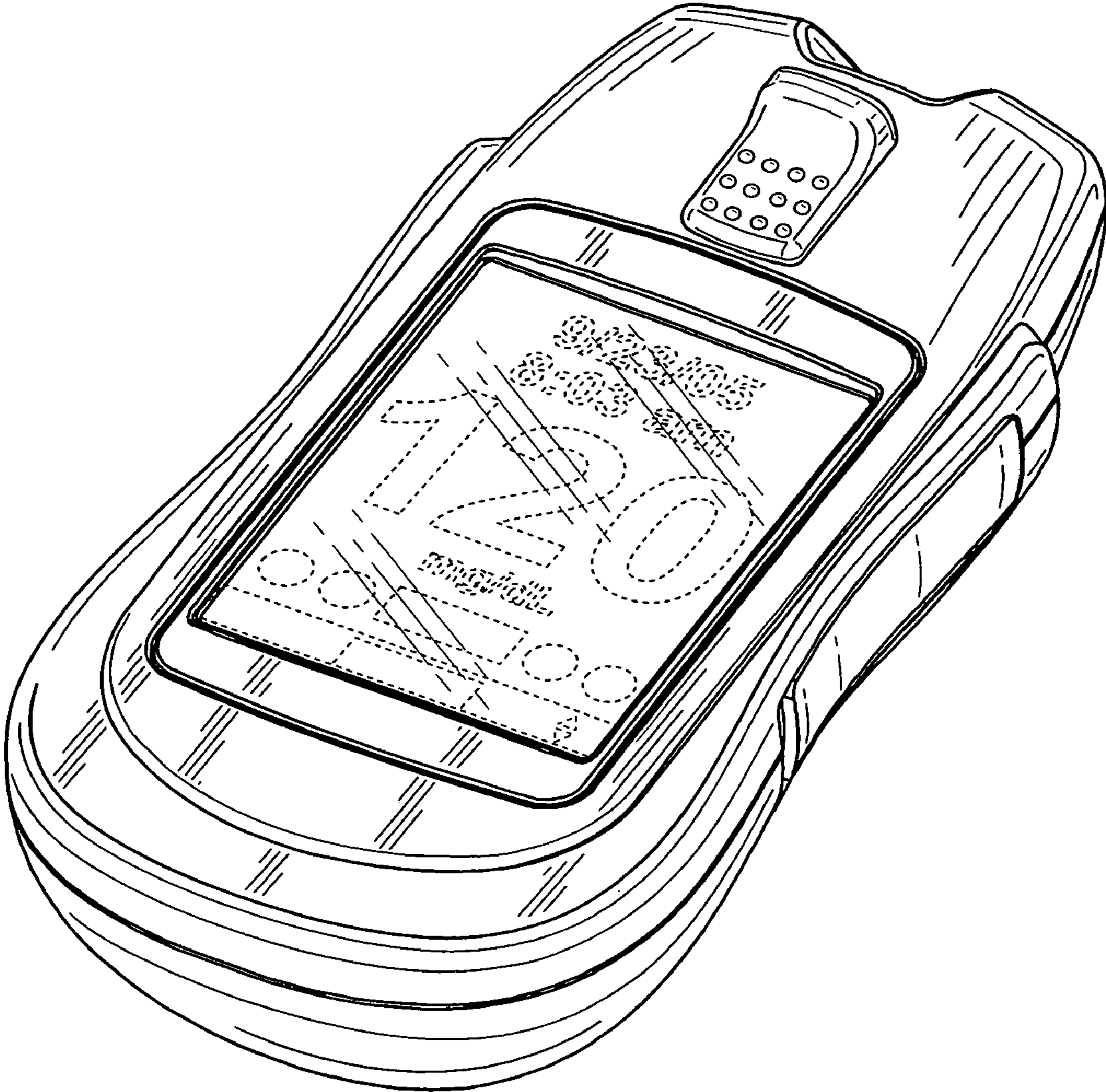


FIG. 1

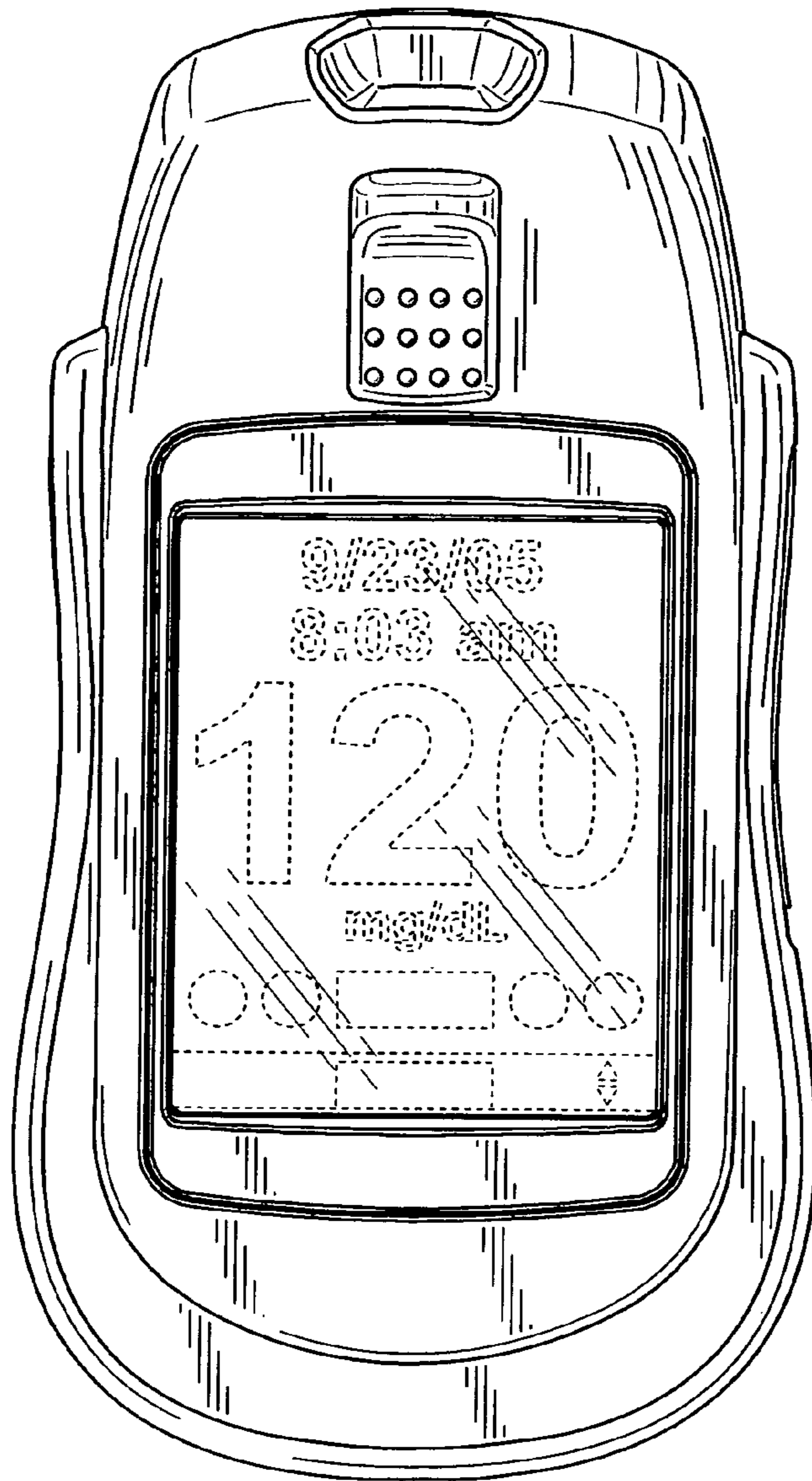


FIG. 2

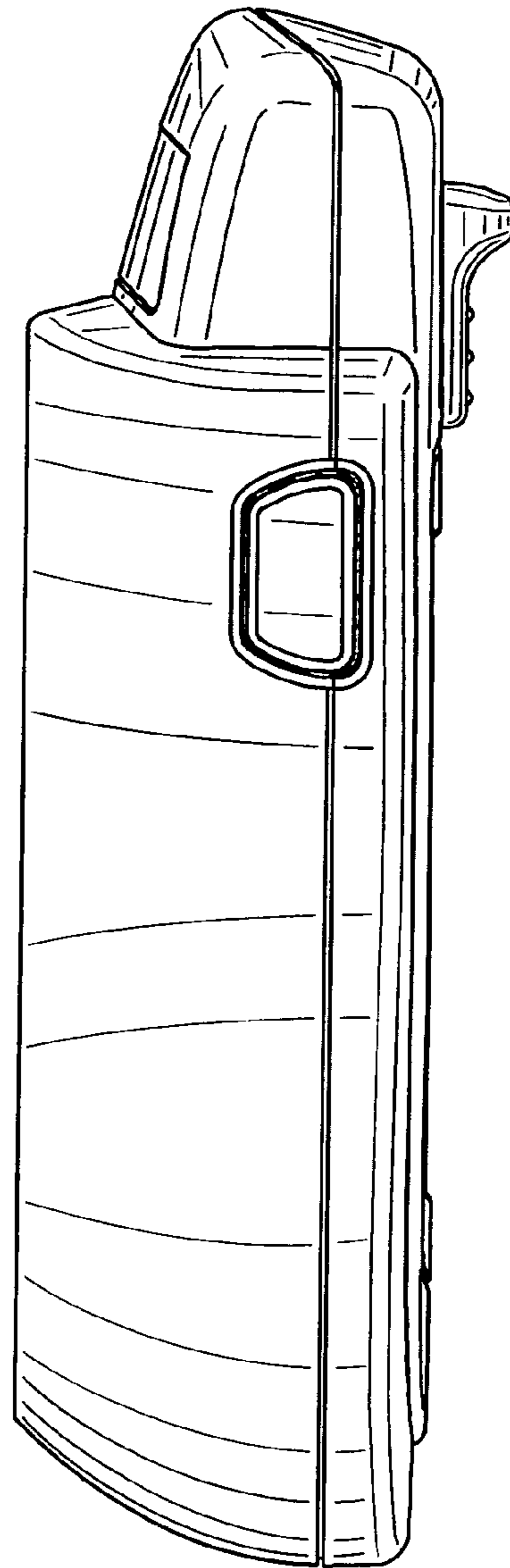


FIG. 3

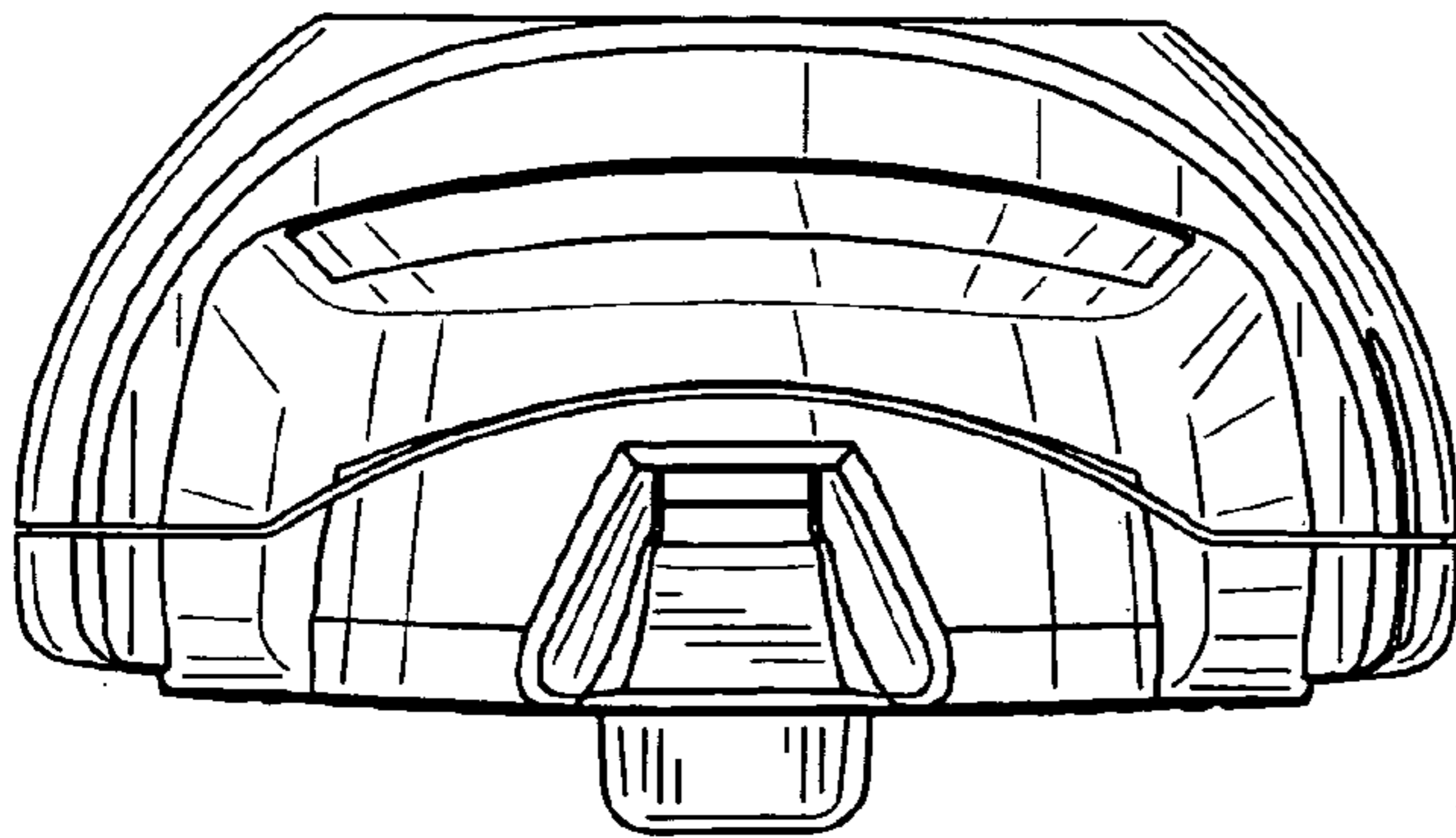


FIG. 6

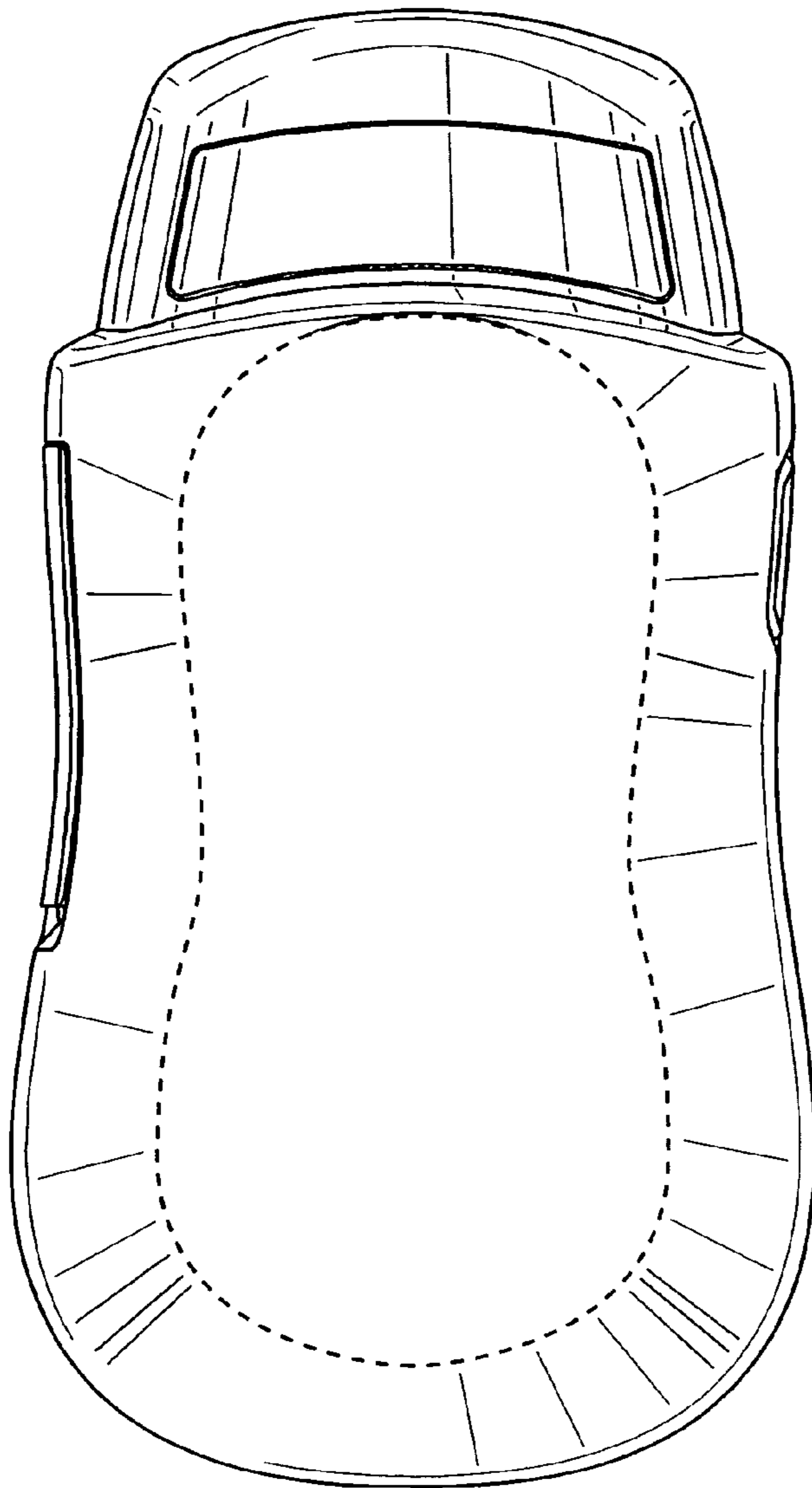


FIG. 4

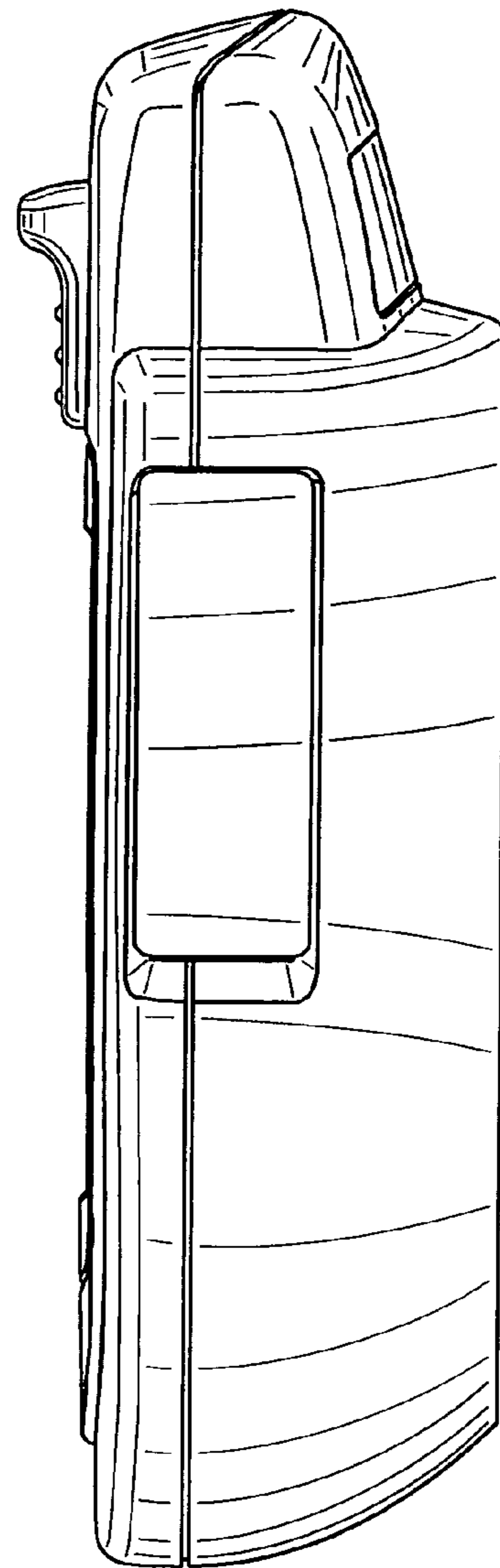


FIG. 5

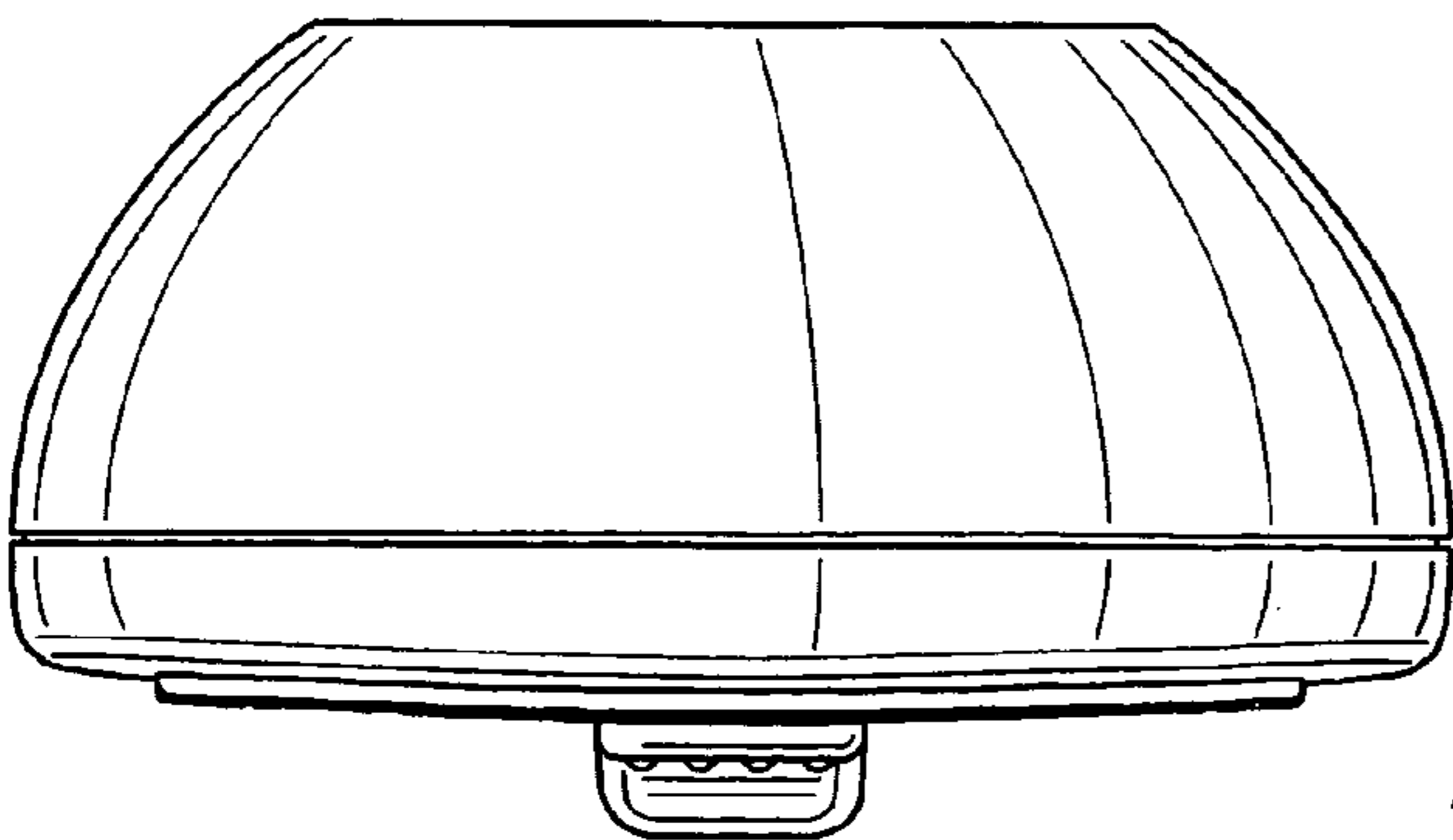


FIG. 7