



US00D585313S

(12) **United States Design Patent**
Mandel

(10) **Patent No.:** **US D585,313 S**
(45) **Date of Patent:** **** Jan. 27, 2009**

(54) **ROUND TAPE MEASURE**

(57) **CLAIM**

(75) **Inventor:** **Logan Flash Mandel**, Los Angeles, CA (US)

The ornamental design for round tape measure, as shown and described.

(73) **Assignee:** **GMPC, LLC**, Santa Monica, CA (US)

DESCRIPTION

(**) **Term:** **14 Years**

FIG. 1 is a top plan view of a round tape measure with its tape in its retracted orientation showing my new design;

(21) **Appl. No.:** **29/317,878**

FIG. 2 is a bottom plan view thereof;

(22) **Filed:** **May 8, 2008**

FIG. 3 is a right side elevational view thereof;

(51) **LOC (9) Cl.** **10-04**

FIG. 4 is a left side elevational view thereof;

(52) **U.S. Cl.** **D10/72**

FIG. 5 is a front elevational view thereof;

(58) **Field of Classification Search** D10/72;
33/755-771; 242/292, 381.1-381.6

FIG. 6 is a rear elevational view thereof;

See application file for complete search history.

FIG. 7 is a top front right isometric view thereof;

FIG. 8 is a bottom left rear isometric view thereof; and,

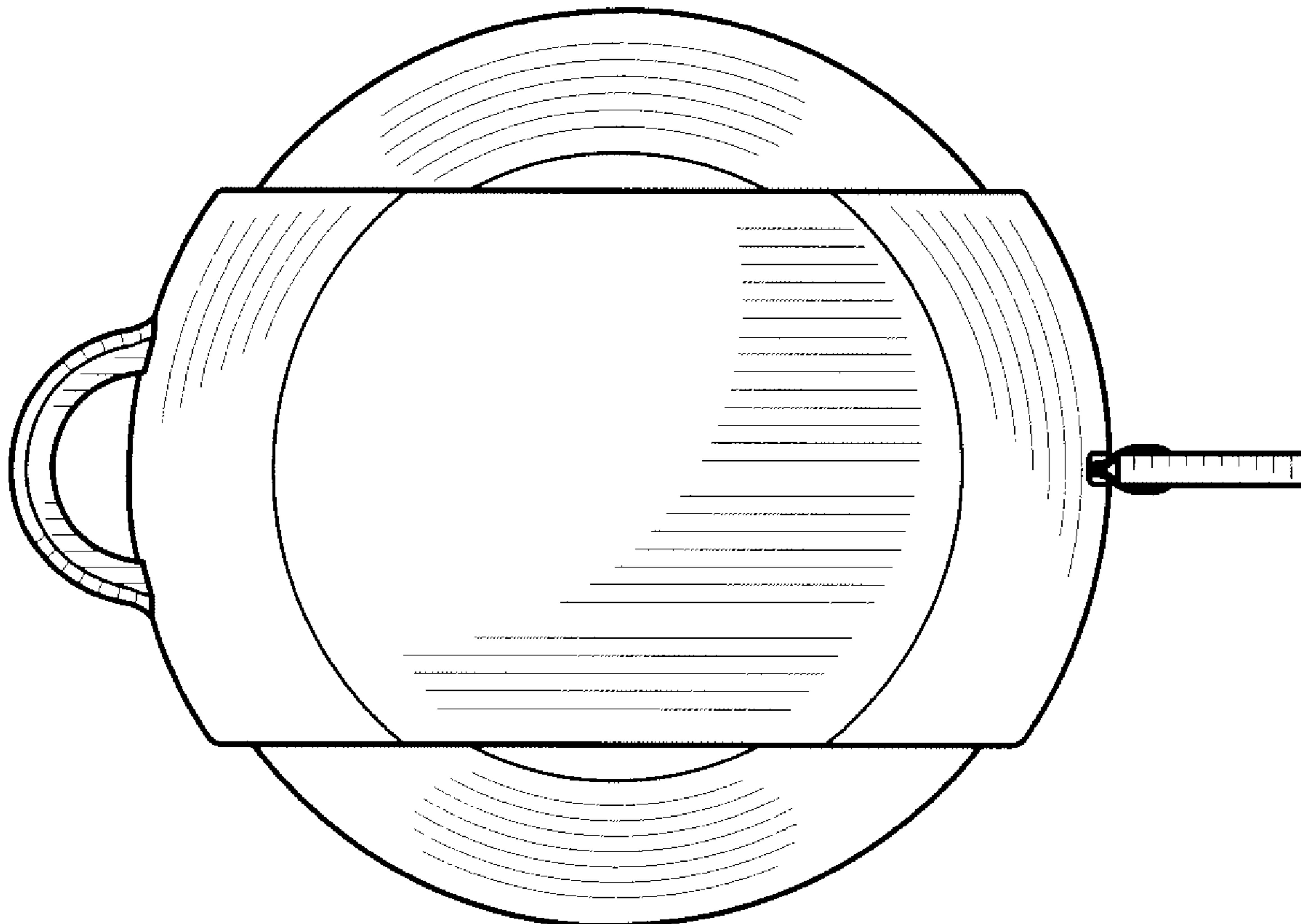
FIG. 9 is a top plan view of a round tape measure of FIG. 1, except with its tape in a partially extended orientation; and,

FIG. 10 is a bottom plan view thereof.

Primary Examiner—Antoine D Davis

1 Claim, 10 Drawing Sheets

(74) *Attorney, Agent, or Firm*—Christie, Parker & Hale, LLP



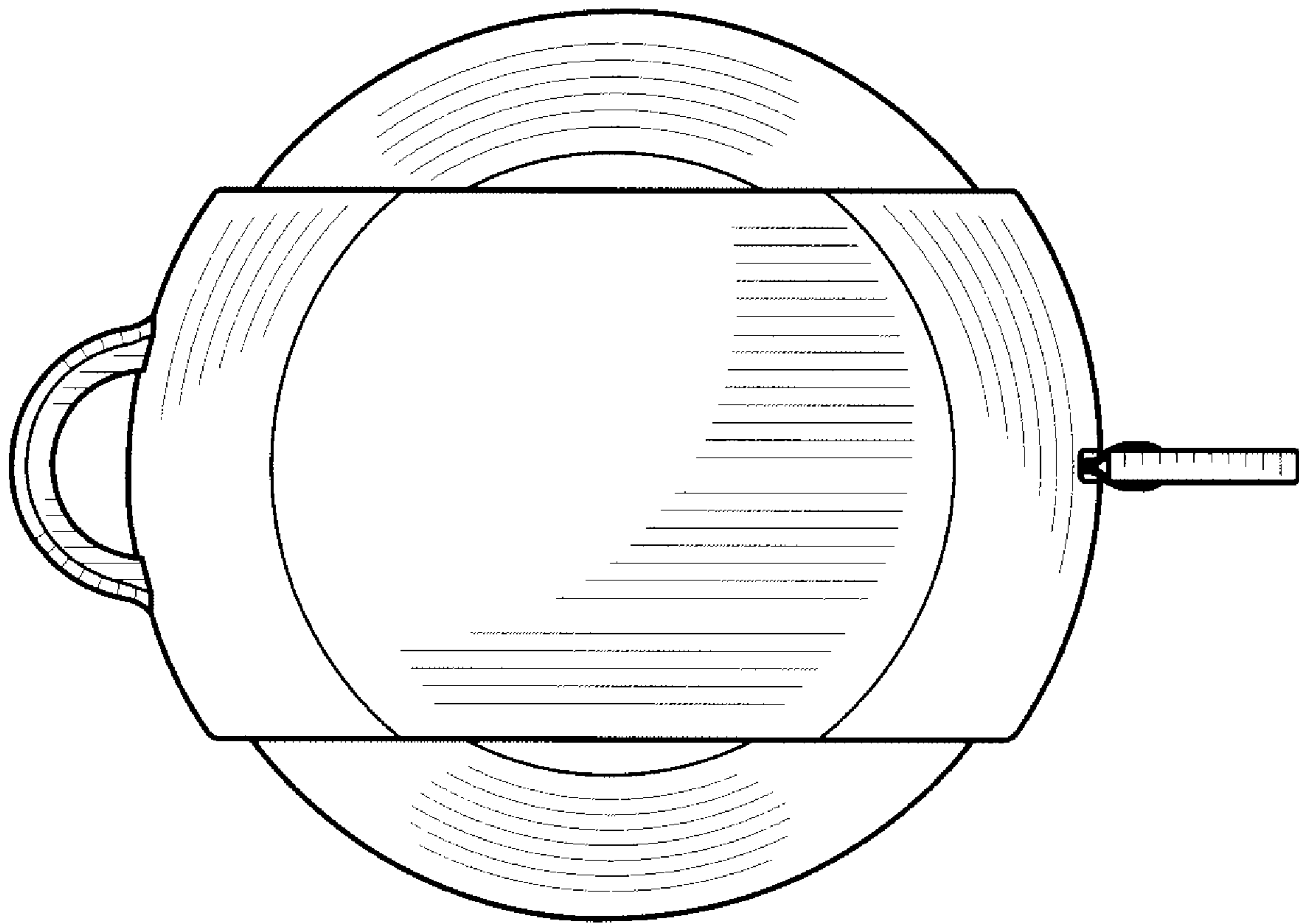


FIG. 1

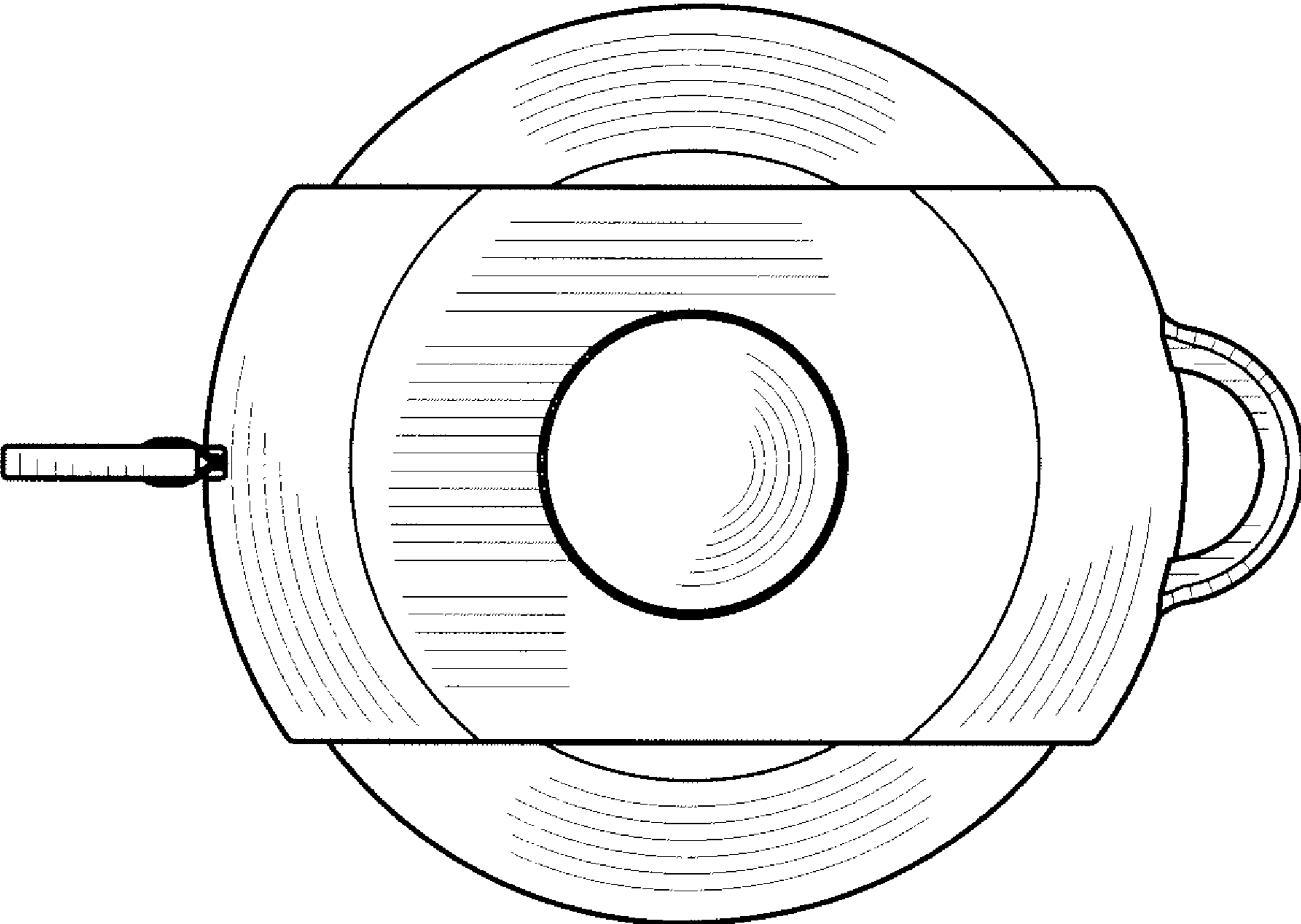


FIG.2

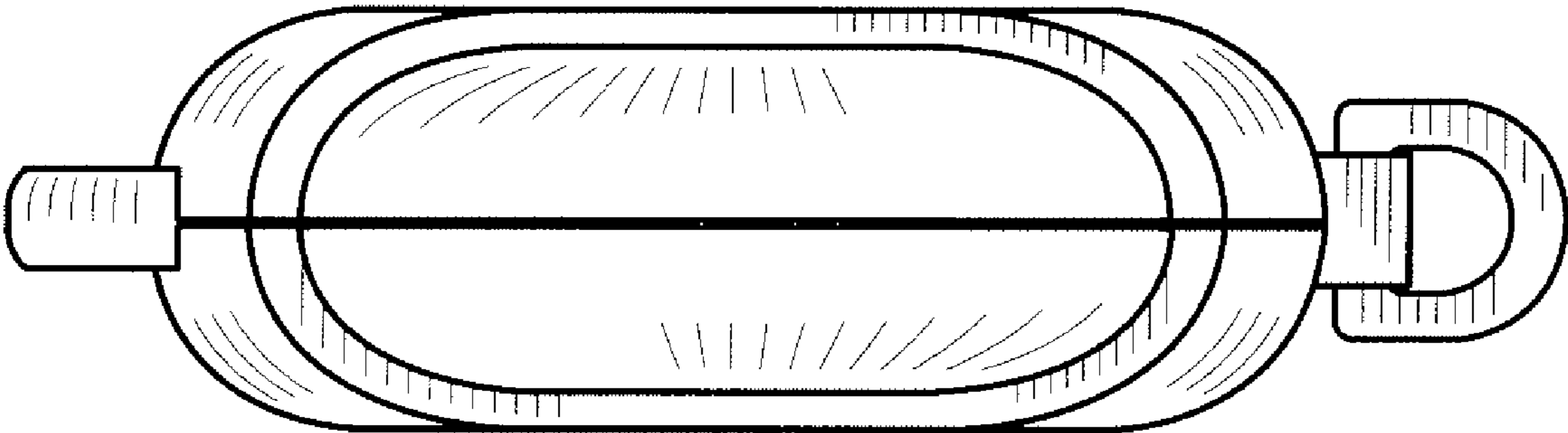


FIG.3

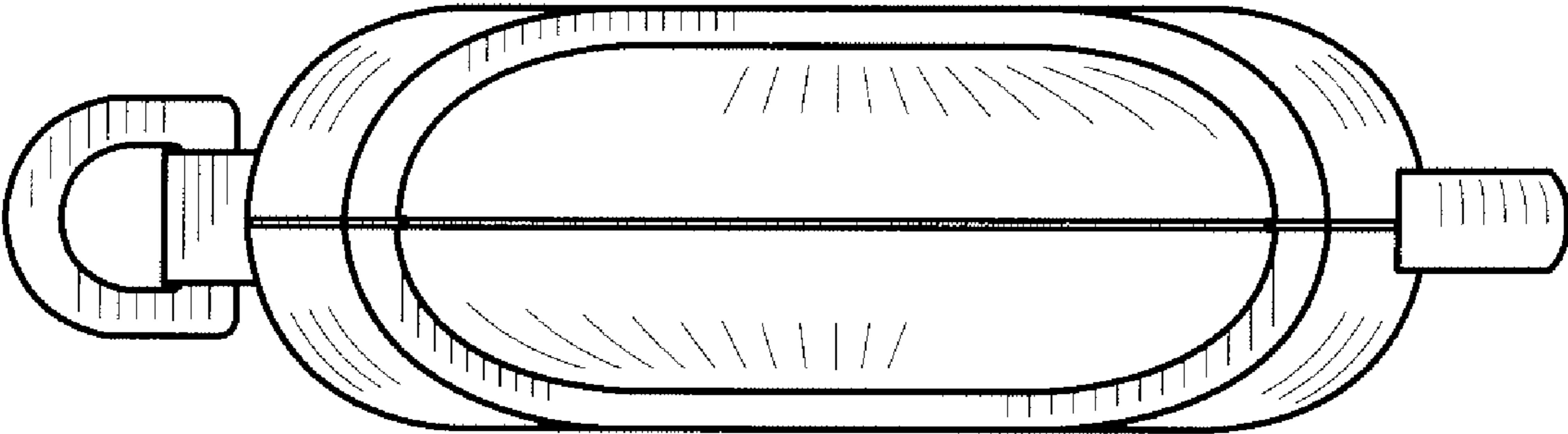


FIG.4

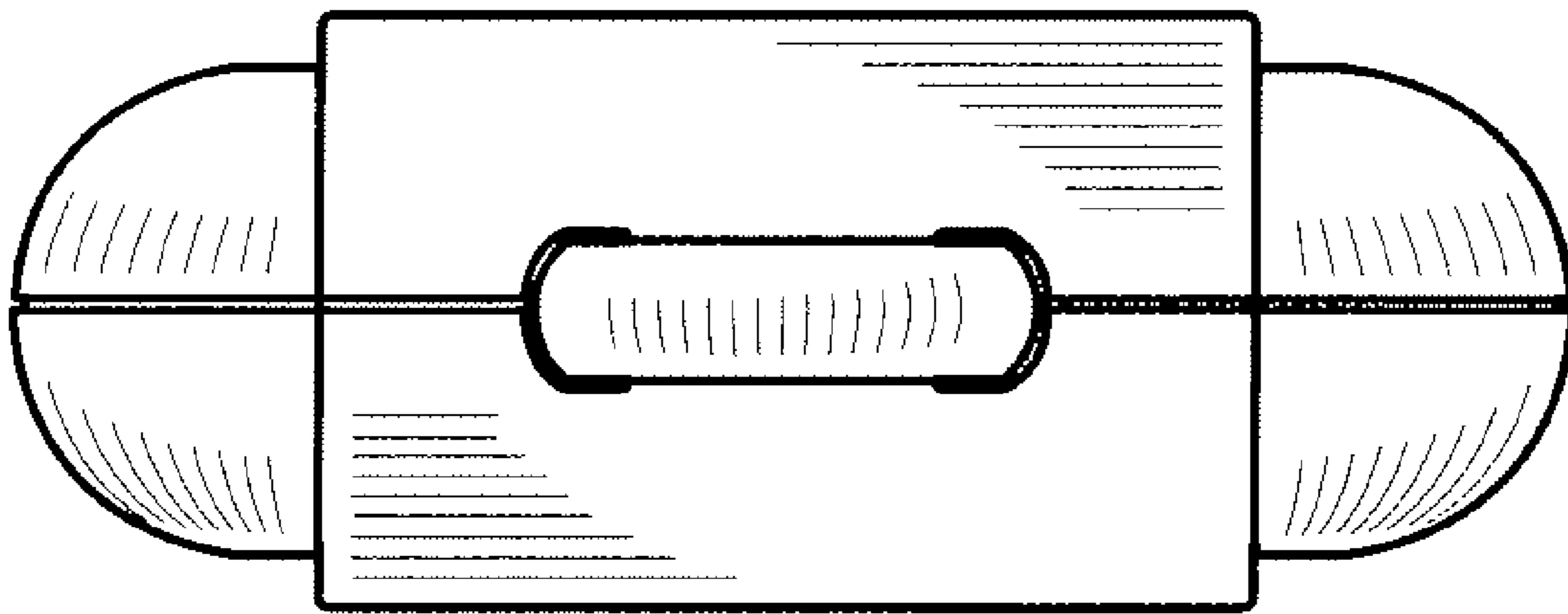


FIG.5

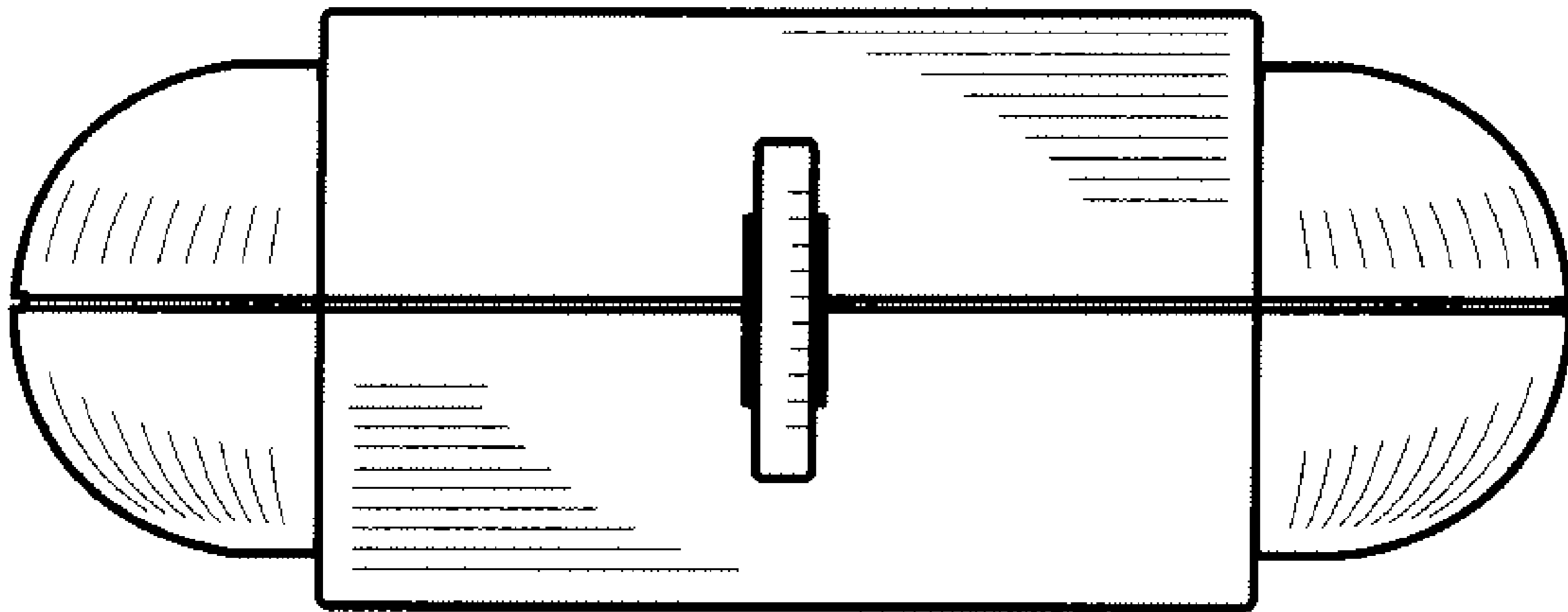


FIG.6

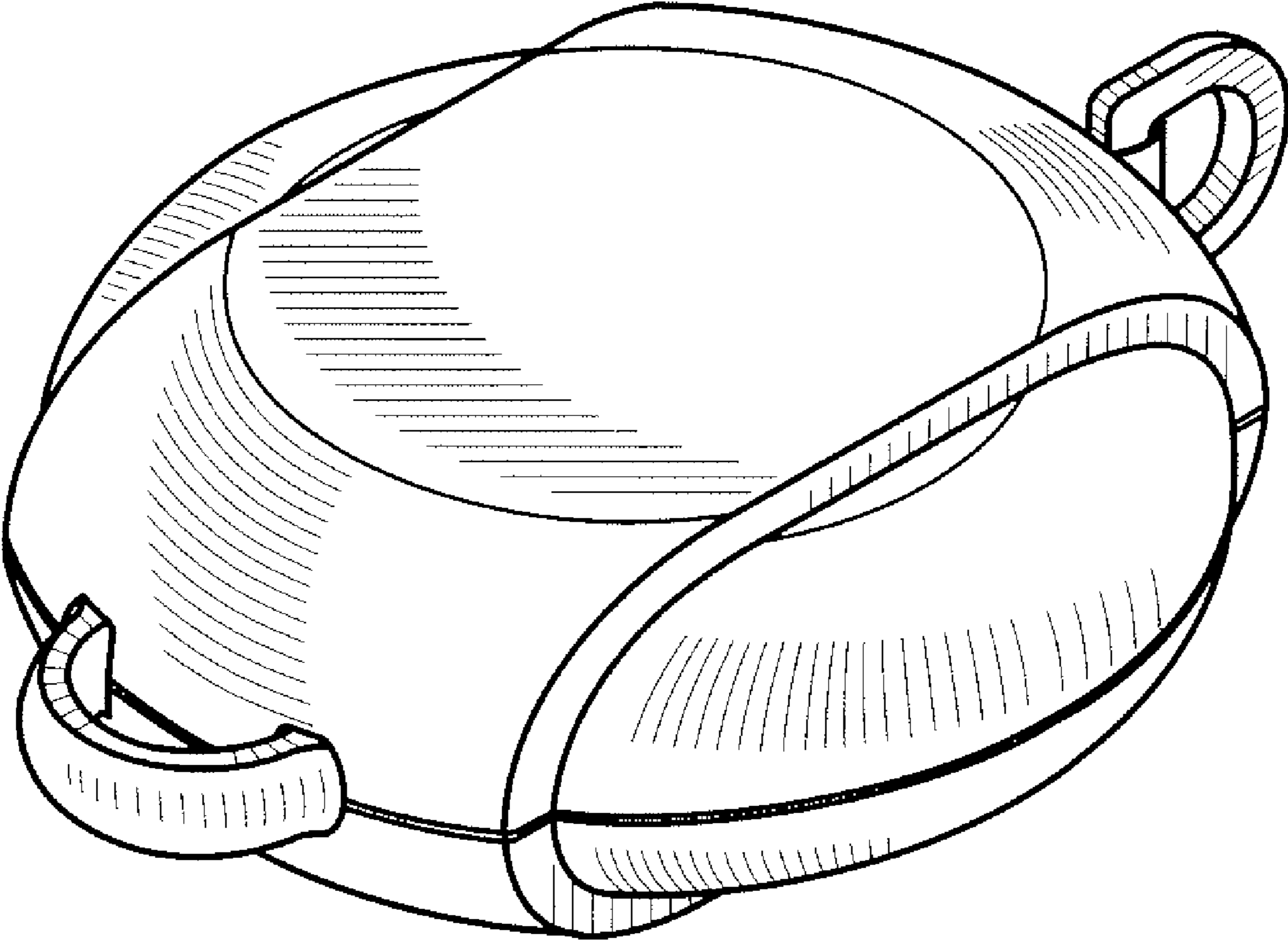


FIG.7

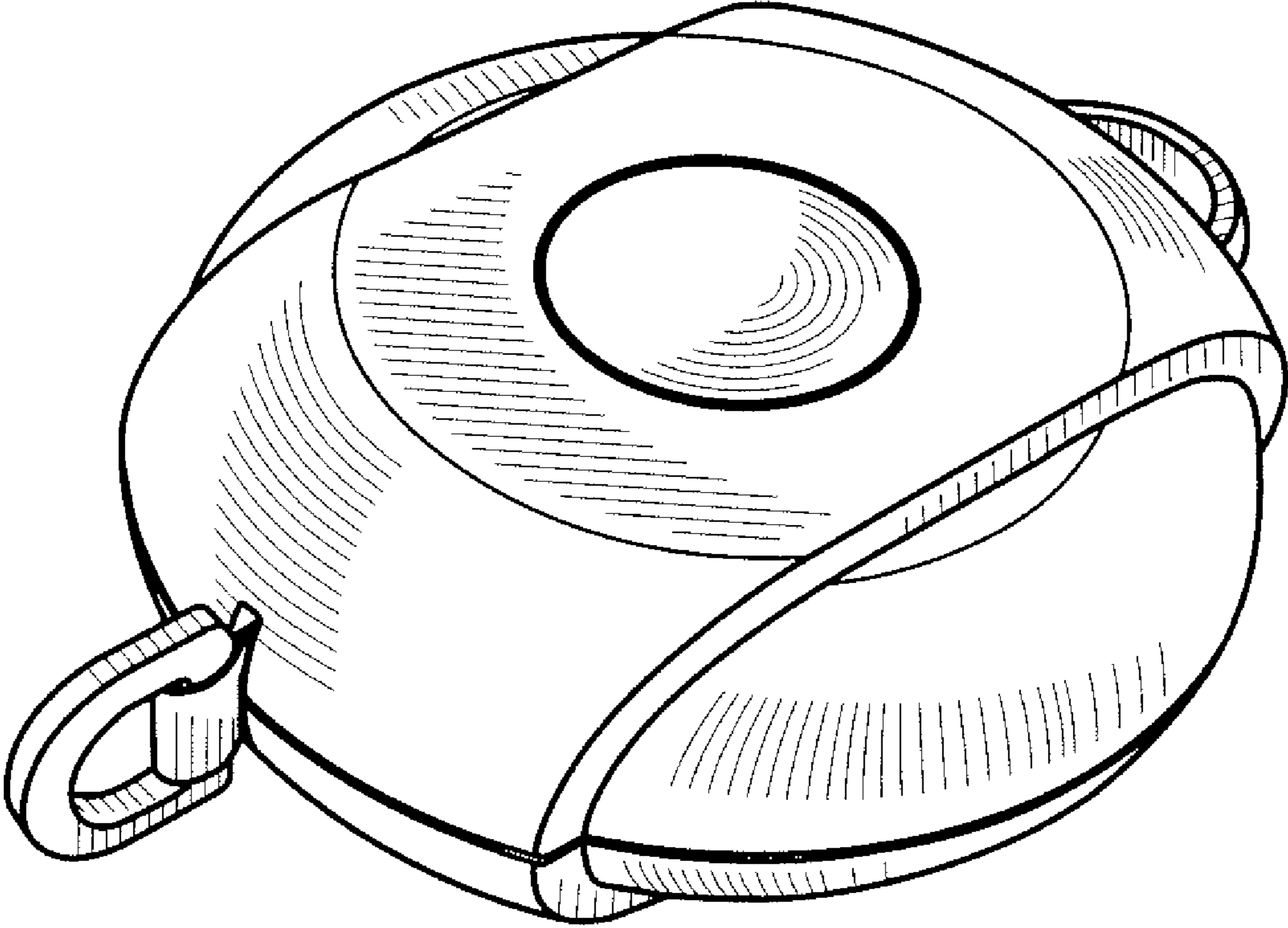


FIG.8

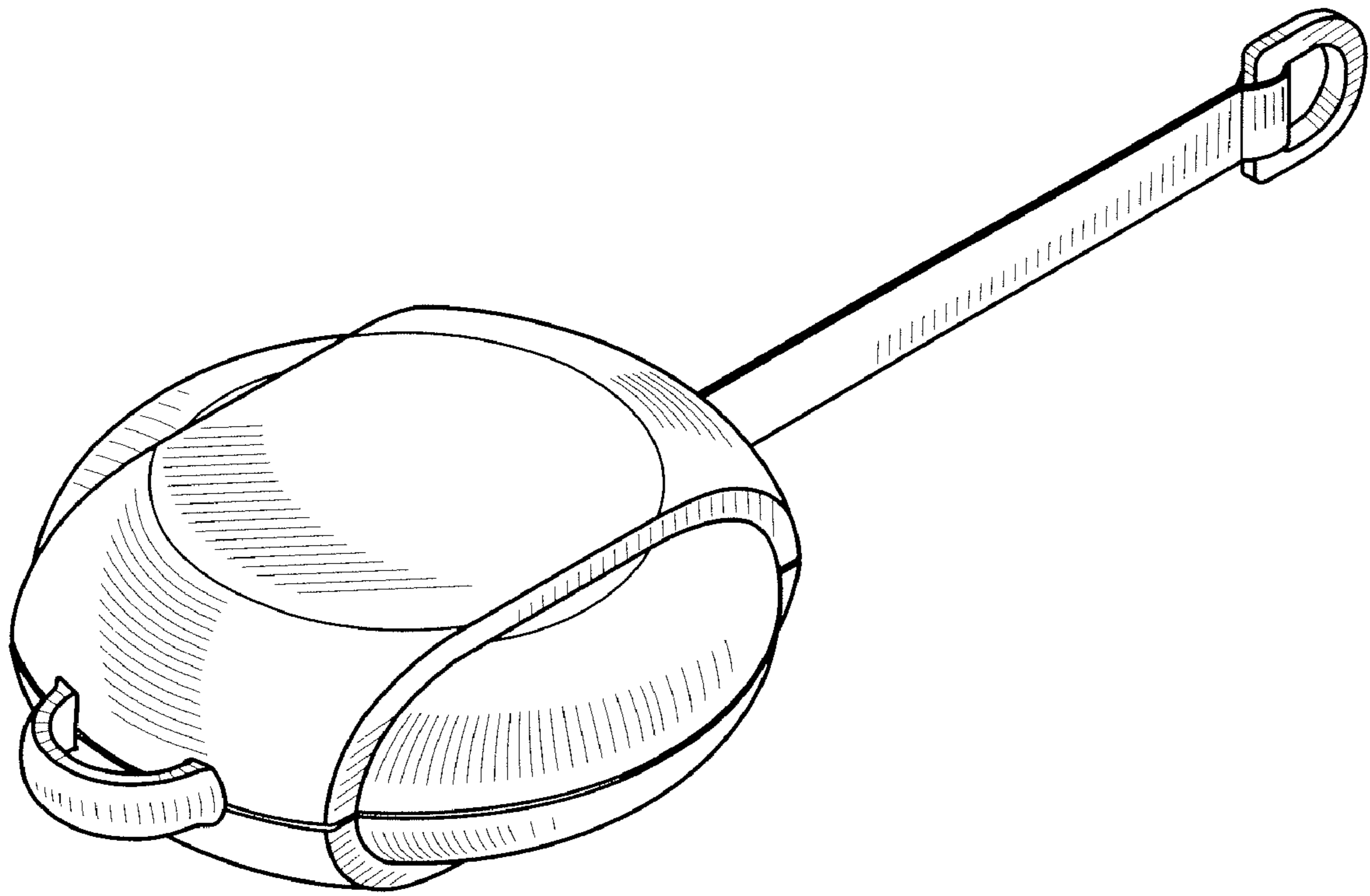


FIG.9

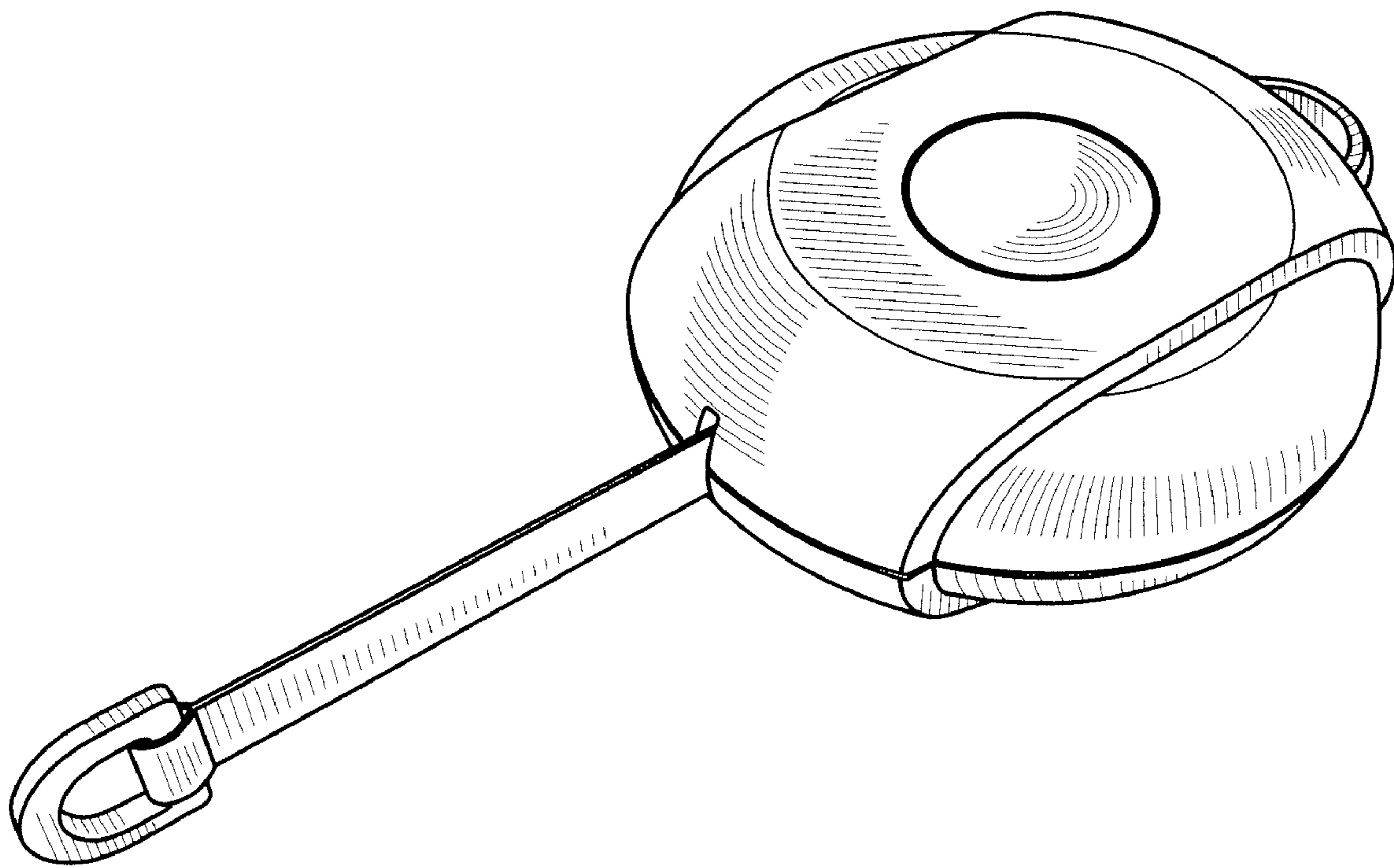


FIG.10